



US00D483380S

(12) **United States Design Patent**
Yamaguchi

(10) **Patent No.:** **US D483,380 S**

(45) **Date of Patent:** **** Dec. 9, 2003**

(54) **FACSIMILE MACHINE**

(75) **Inventor:** **Yasutake Yamaguchi, Chiryu (JP)**

(73) **Assignee:** **Brother Industries, Ltd., Nagoya (JP)**

(**) **Term:** **14 Years**

(21) **Appl. No.:** **29/177,968**

(22) **Filed:** **Mar. 20, 2003**

(30) **Foreign Application Priority Data**

Dec. 27, 2002 (JP) 2002-036668

(51) **LOC (7) Cl.** **16-03**

(52) **U.S. Cl.** **D14/471**

(58) **Field of Search** D14/462-471,
D14/432; 358/400, 401, 404, 405, 305,
434, 442, 448, 475, 474, 479

(56) **References Cited**

U.S. PATENT DOCUMENTS

D328,741 S * 8/1992 Fujiwara et al. D14/467
D331,405 S * 12/1992 Inukai D14/467

D428,419 S * 7/2000 Nakamura D14/467
6,163,385 A * 12/2000 Kajander 358/475
D448,774 S * 10/2001 Benedetto et al. D14/467
D458,270 S * 6/2002 Anderson et al. D14/467
6,496,284 B1 * 12/2002 Dow et al. 358/404
6,559,977 B2 * 5/2003 Sasai et al. 358/400

* cited by examiner

Primary Examiner—Prabhakar Deshmukh

(74) *Attorney, Agent, or Firm*—Oliff & Berridge, PLC

(57) **CLAIM**

The ornamental design for a facsimile machine, as shown and described.

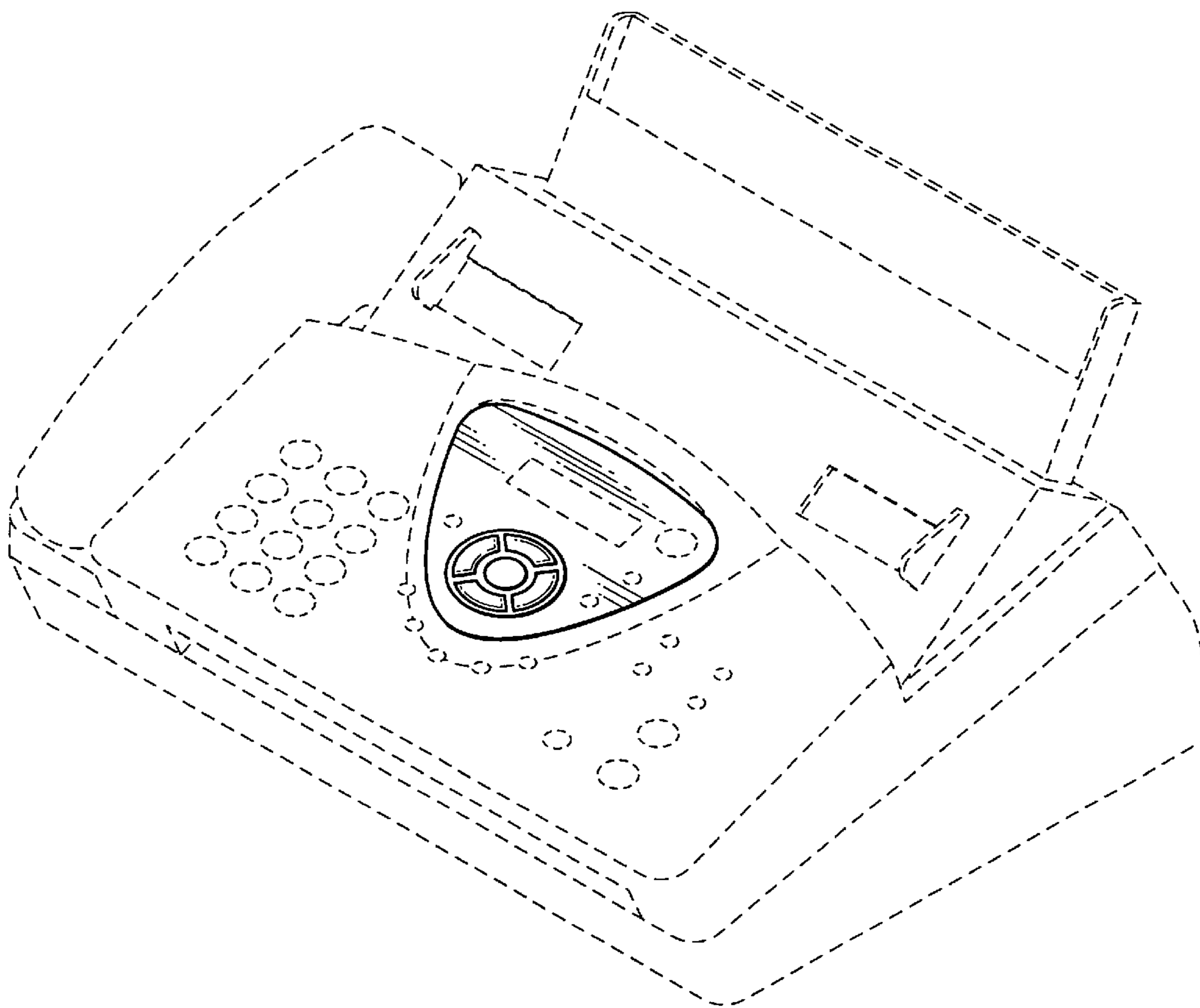
DESCRIPTION

FIG. 1 is a front view of a facsimile machine;
FIG. 2 is a top view thereof; and,
FIG. 3 is a perspective view thereof.

The left, right, rear and bottom views contain no ornamentality and are omitted.

The broken line showing is for illustrative purposes only and forms no part of the claimed design.

1 Claim, 2 Drawing Sheets



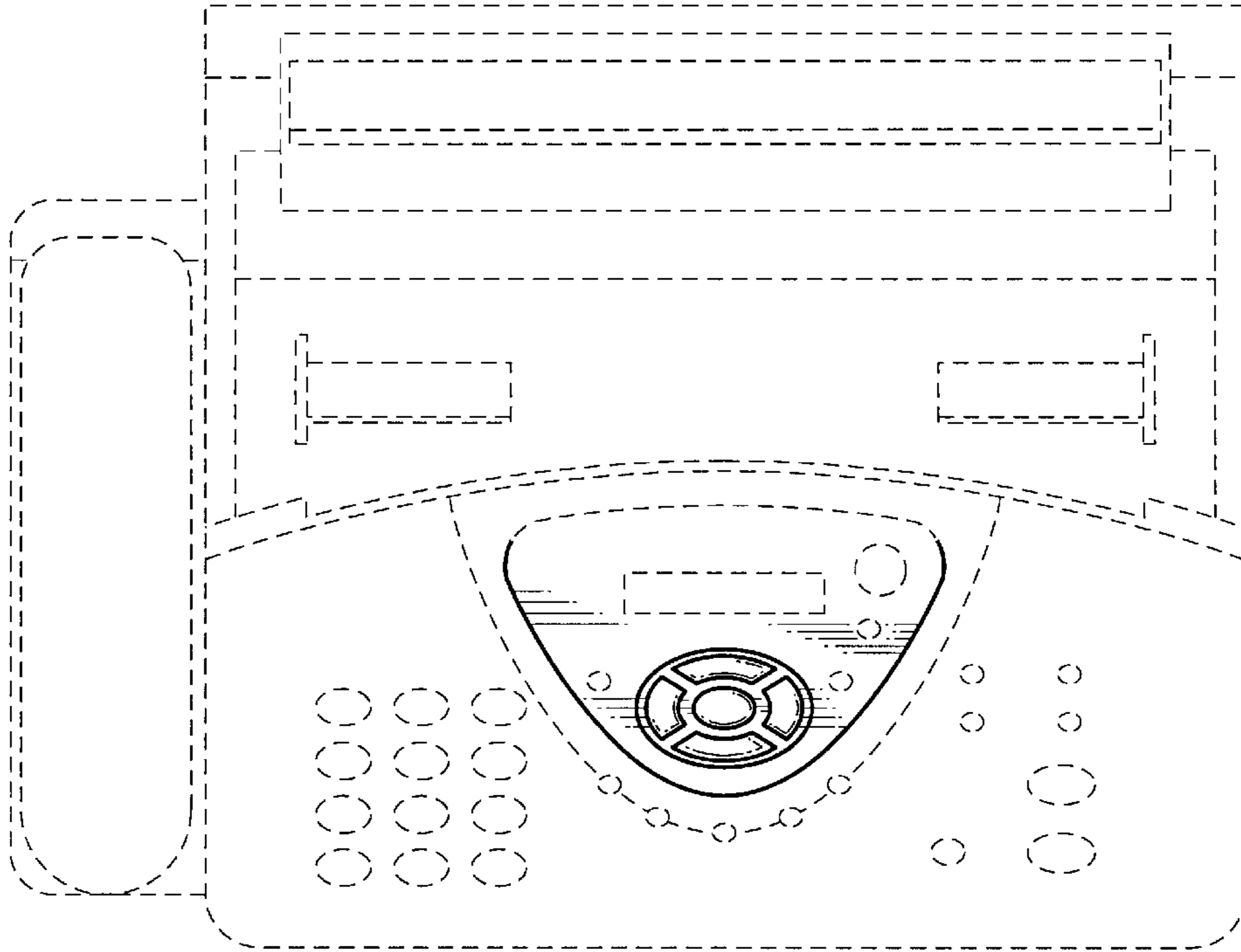


FIG. 2

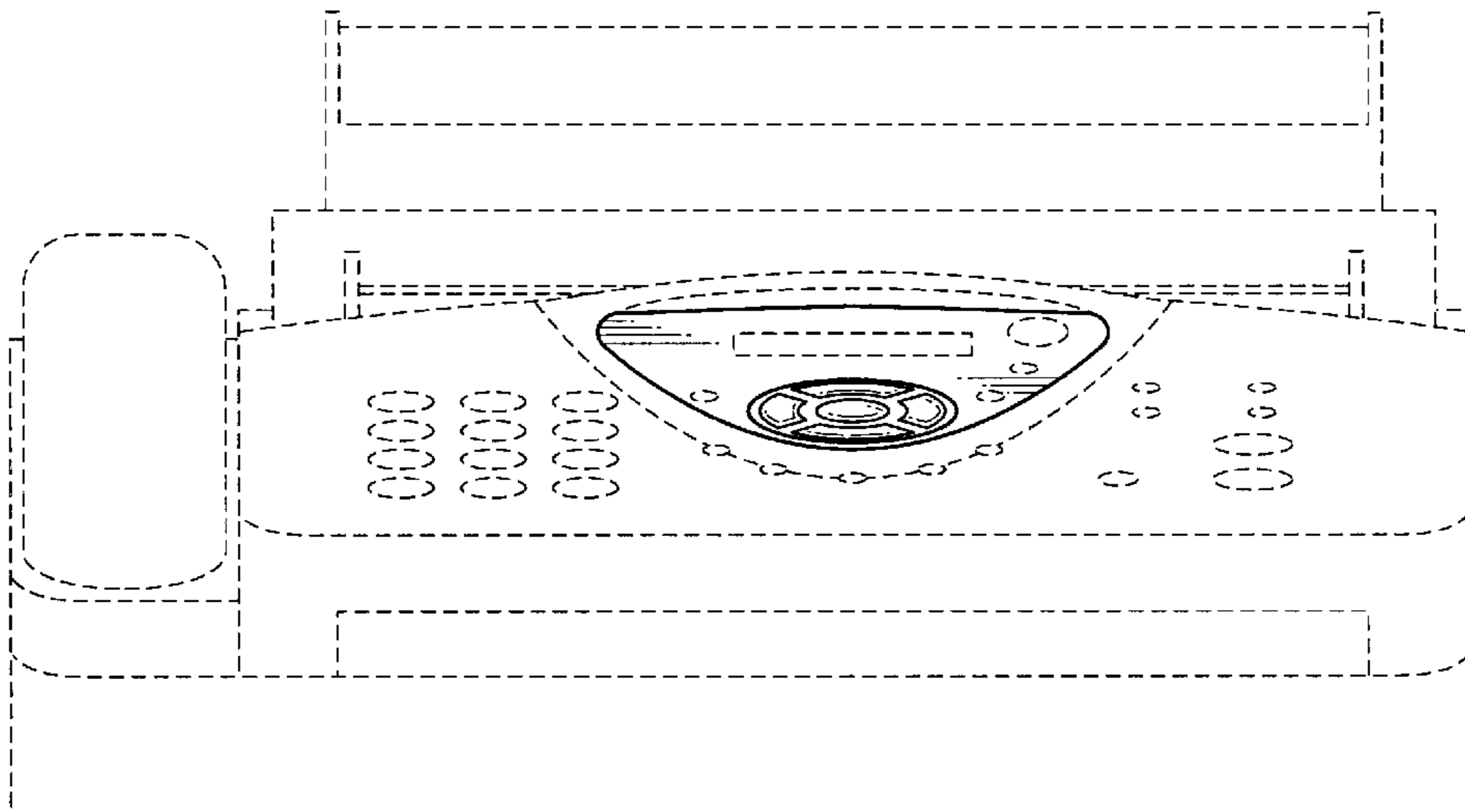


FIG. 1

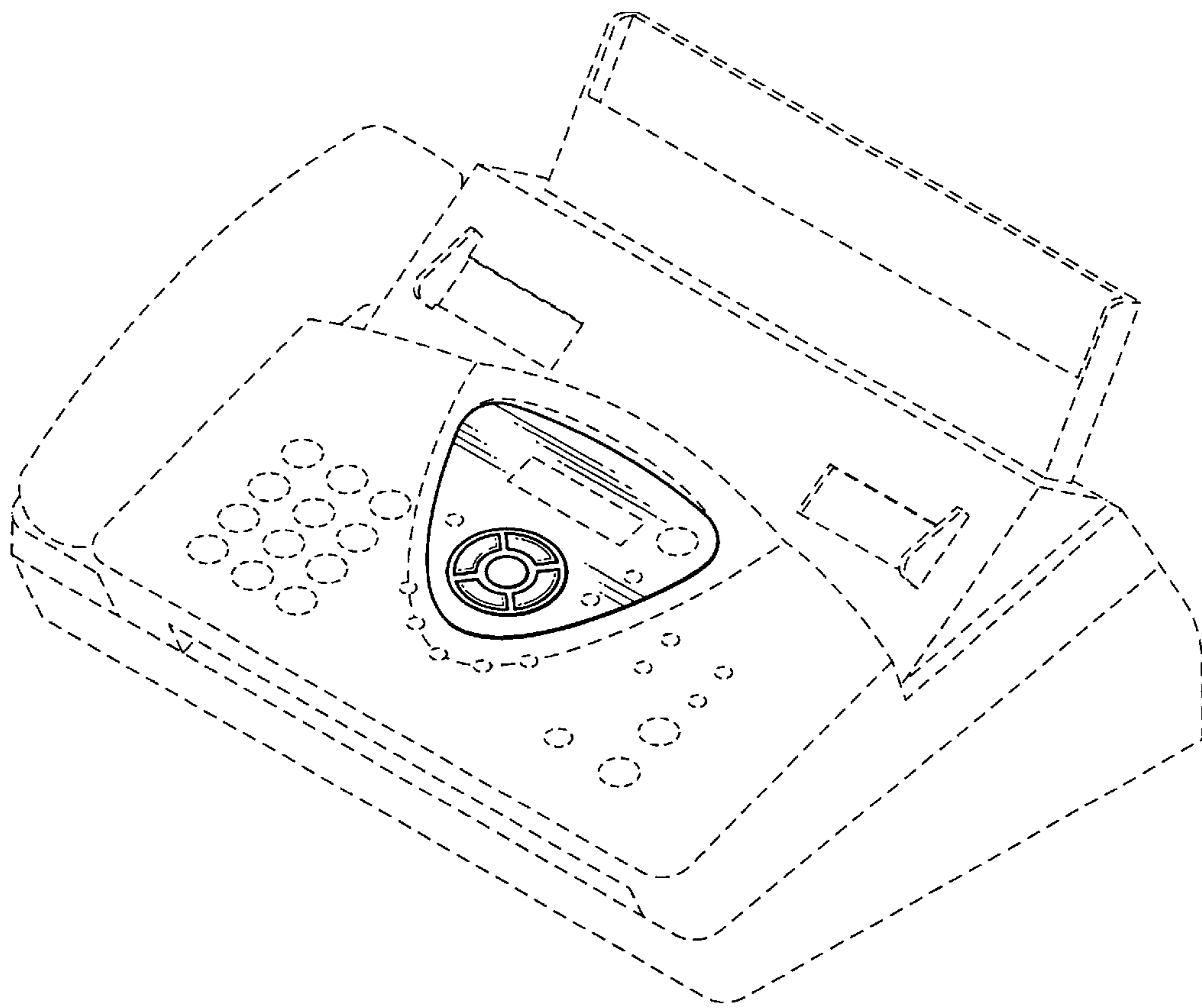


FIG. 3