



US00D483374S

(12) **United States Design Patent**
Hung

(10) **Patent No.:** **US D483,374 S**

(45) **Date of Patent:** **** Dec. 9, 2003**

(54) **REMOVABLE HARD DRIVE FRAME**

(75) Inventor: **Kuo-Chuan Hung**, Lu-Chou (TW)

(73) Assignee: **Chun Long Metal Co., Ltd.**, Taipei Hsien (TW)

(**) Term: **14 Years**

(21) Appl. No.: **29/171,821**

(22) Filed: **Dec. 2, 2002**

(51) **LOC (7) Cl.** **14-02**

(52) **U.S. Cl.** **D14/439**

(58) **Field of Search** D14/432, 441-2,
D14/348; 361/685, 686, 638, 683-4, 731,
785, 803, 733, 727, 759; 312/294, 298,
300, 322, 323, 327, 334.1, 334.2, 223.1,
223.2, 223.3

(56) **References Cited**

U.S. PATENT DOCUMENTS

- 5,442,513 A * 8/1995 Lo
- 5,519,571 A * 5/1996 Shieh

- 6,233,143 B1 * 5/2001 Gamble et al.
- 6,407,913 B1 * 6/2002 Peachey et al.
- 2002/0101713 A1 * 8/2002 Eland
- 2002/0105782 A1 * 8/2002 Huang
- 2003/0081378 A1 * 5/2003 Debbins et al.
- 2003/0112596 A1 * 6/2003 Shih

* cited by examiner

Primary Examiner—M. H. Tung

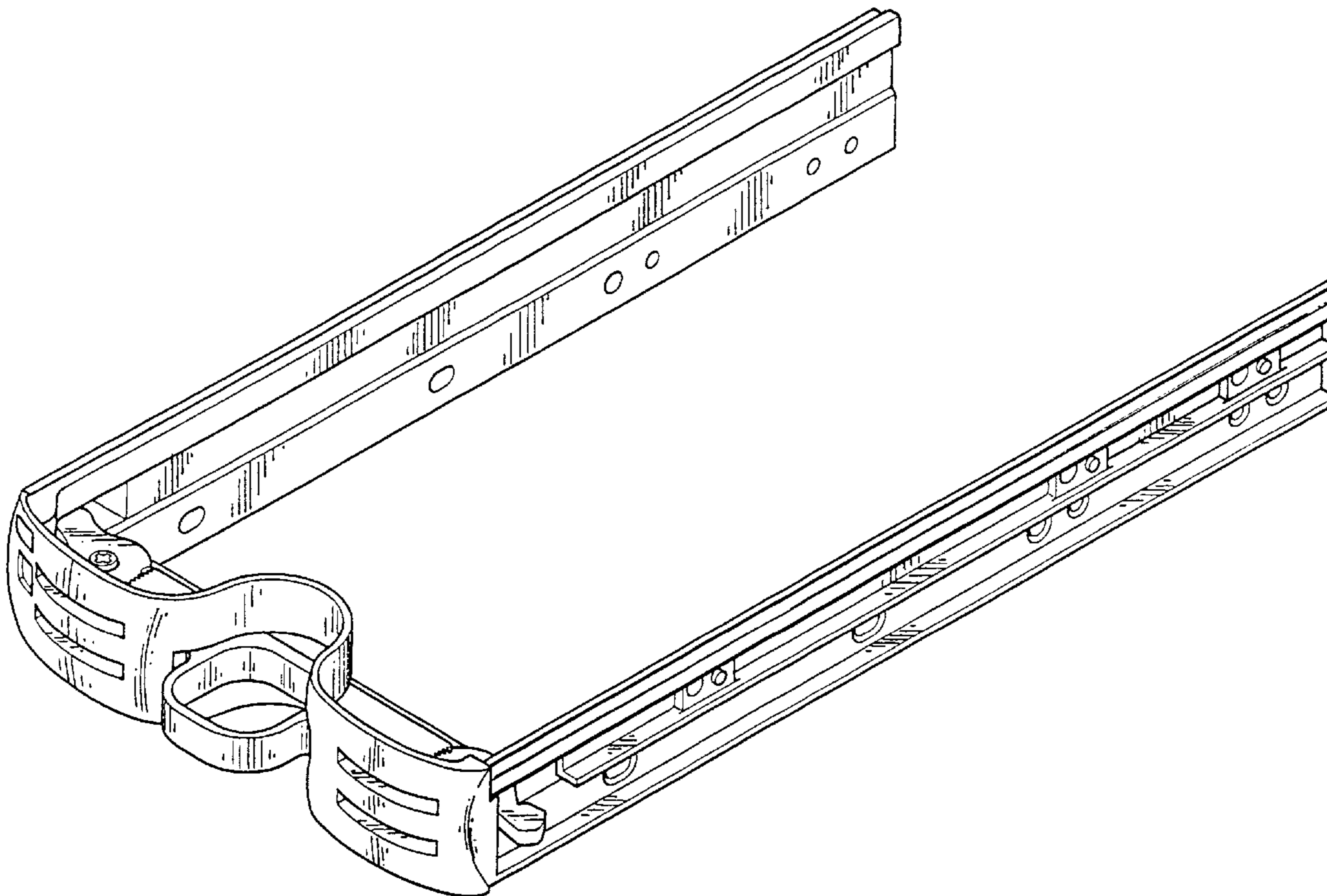
(57) **CLAIM**

The ornamental design for a removable hard drive frame, as shown and described.

DESCRIPTION

FIG. 1 is a perspective view thereof on an enlarged scale; FIG. 2 is a top view thereof; FIG. 3 is a bottom view thereof; FIG. 4 is a right side view thereof; FIG. 5 is a left side view thereof; FIG. 6 is a back view thereof; and, FIG. 7 is a front view thereof.

1 Claim, 5 Drawing Sheets



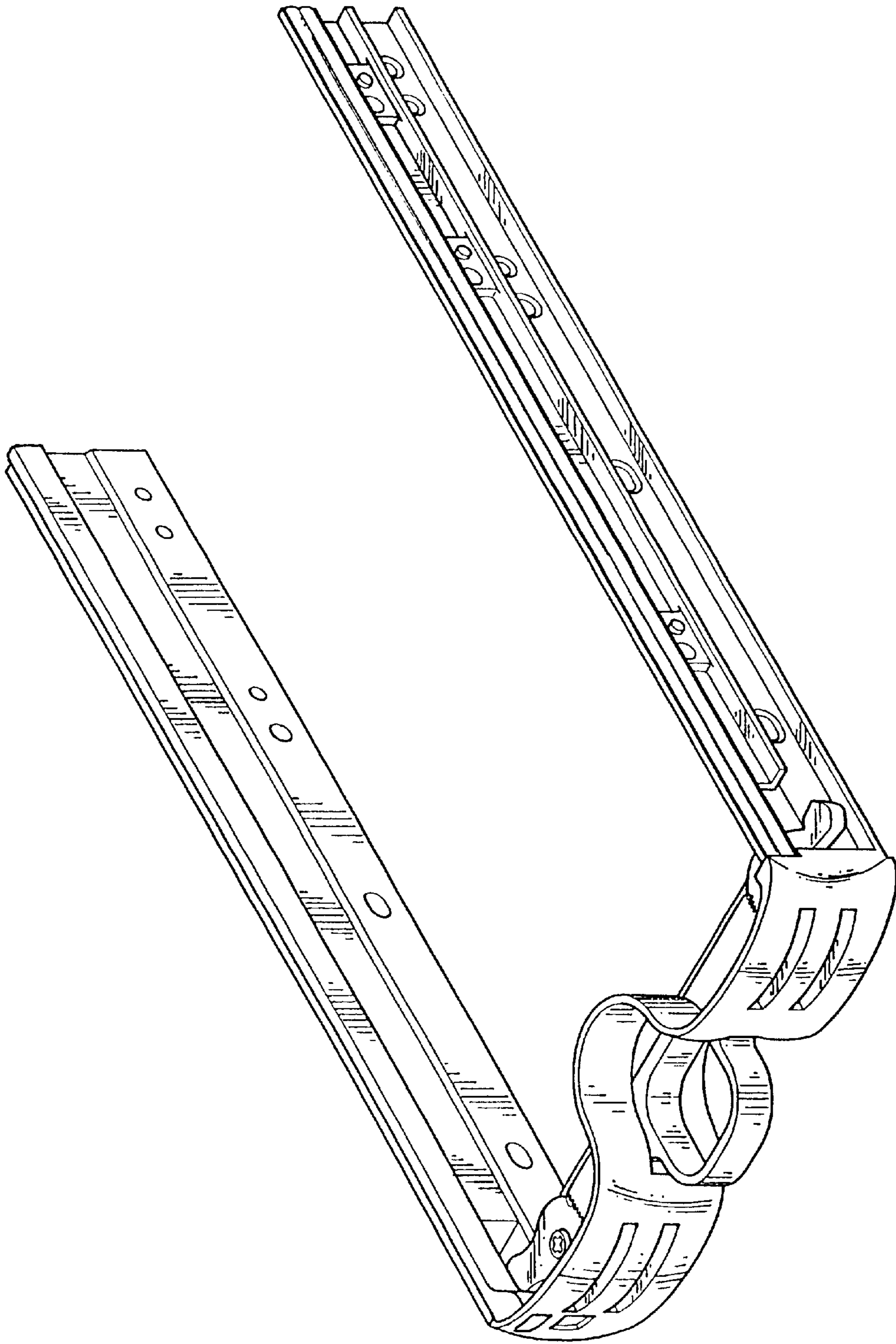


Fig.1

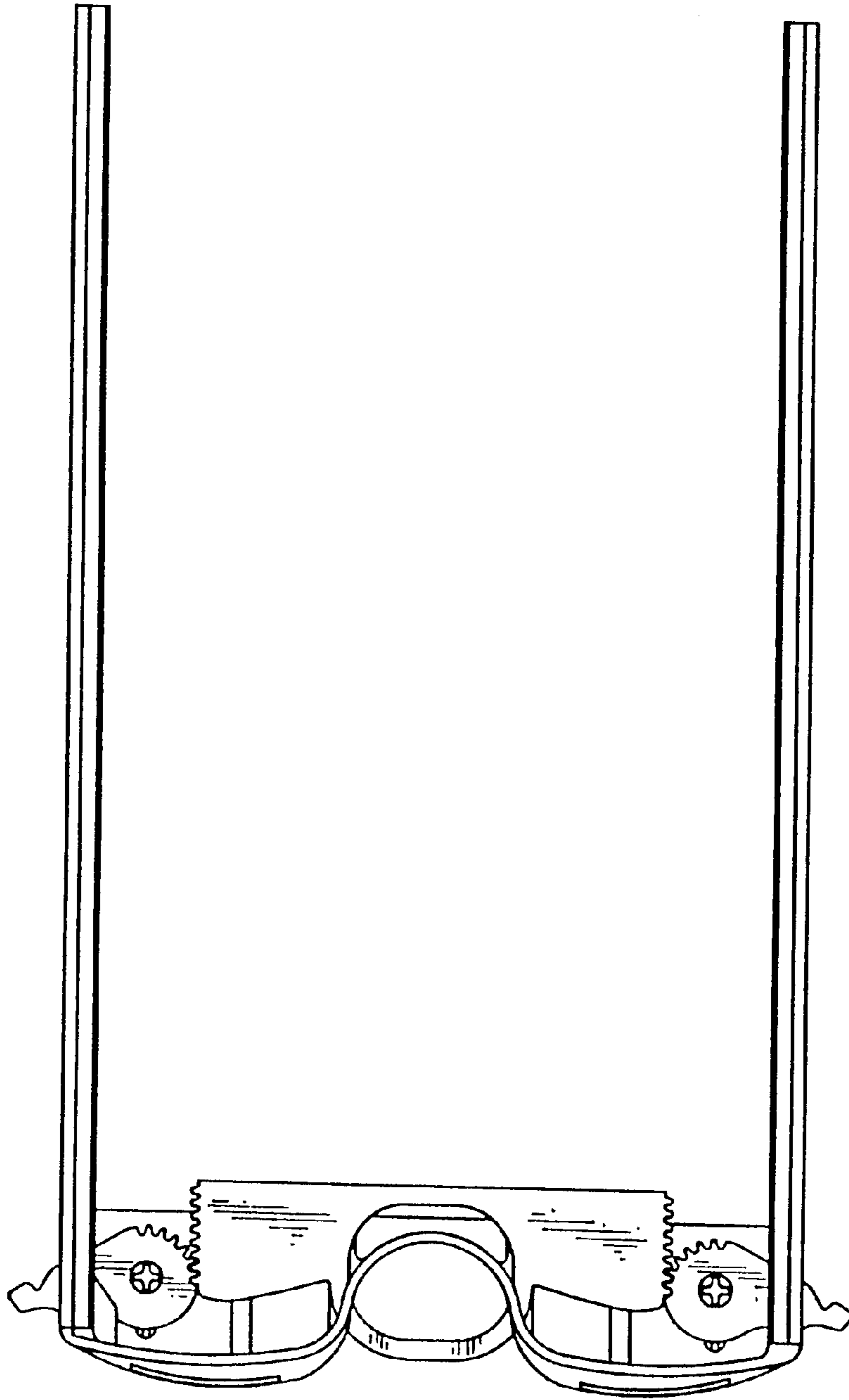


Fig.2

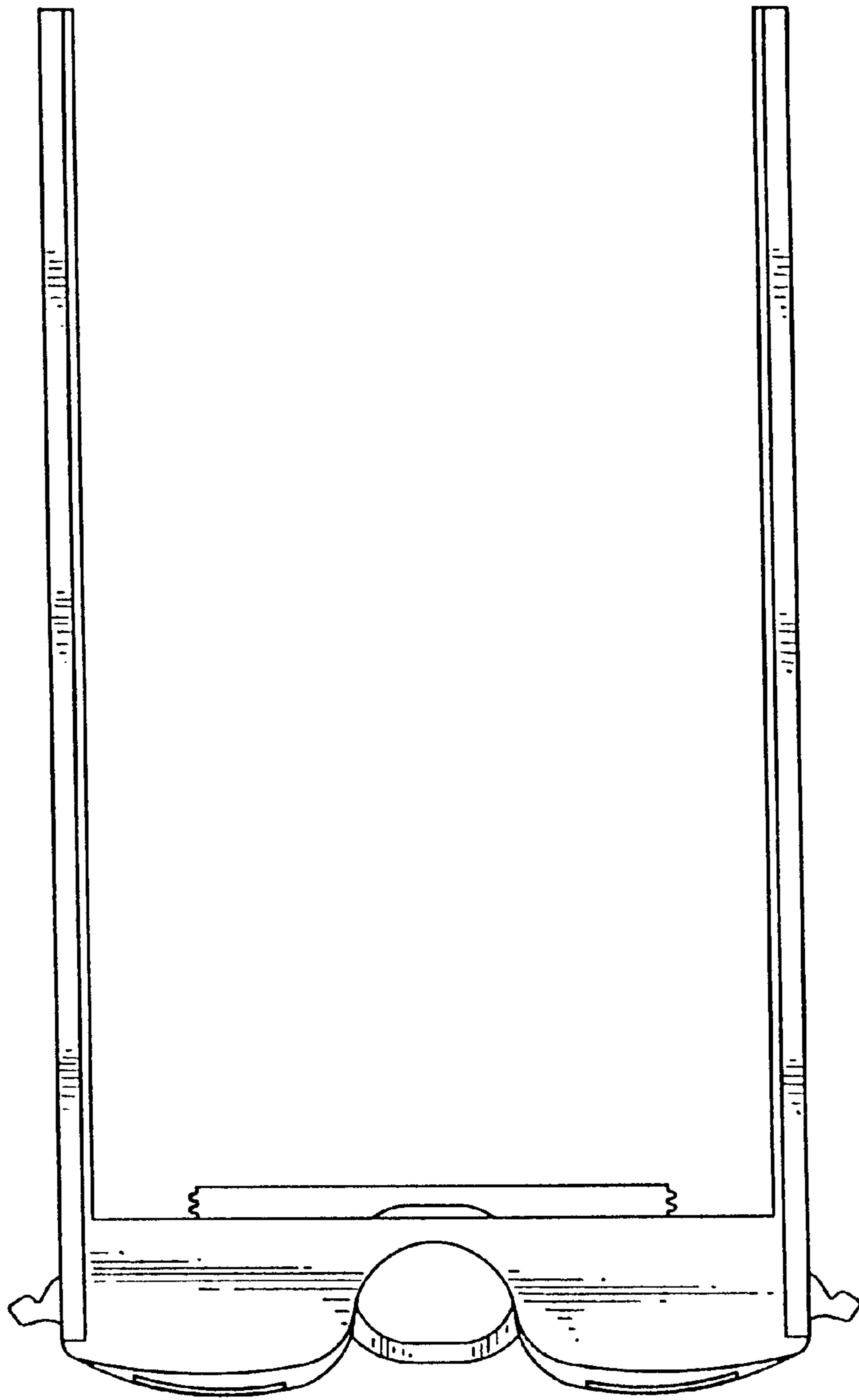


Fig.3

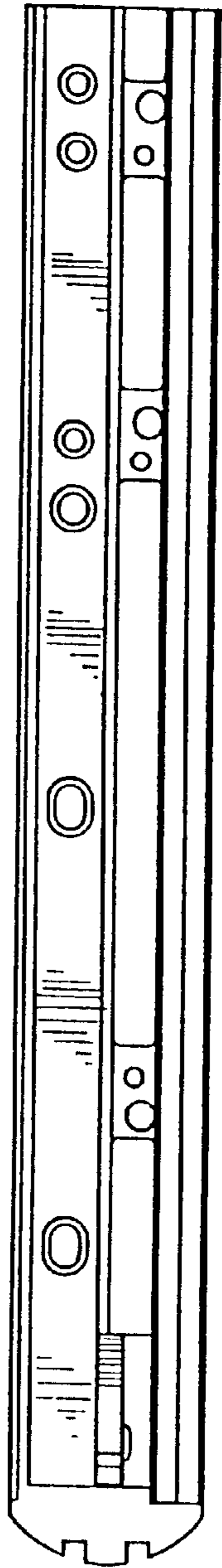


Fig.4

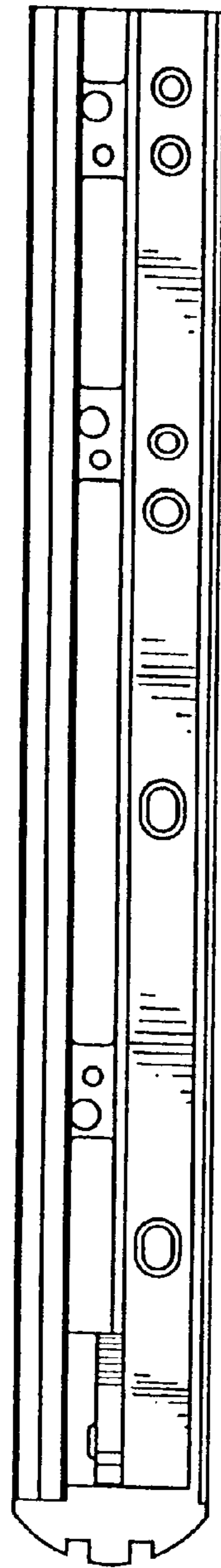


Fig.5

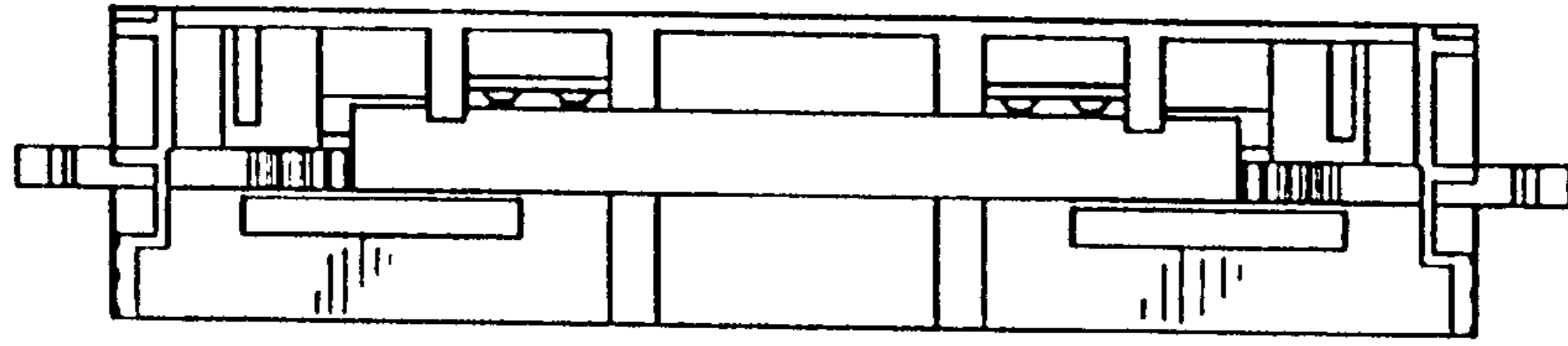


Fig.6

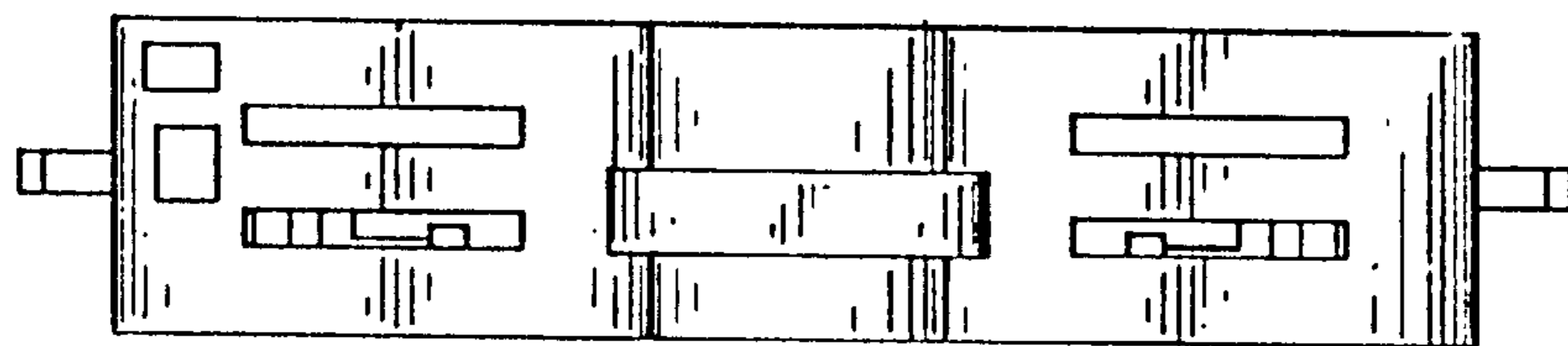


Fig.7