



US00D483373S

(12) **United States Design Patent**
Huang

(10) **Patent No.:** **US D483,373 S**

(45) **Date of Patent:** **** Dec. 9, 2003**

(54) **COMPUTER ADAPTER WITH
TRANSLUCENT COVERING**

D474,154 S * 5/2003 Lai D13/147

* cited by examiner

(76) **Inventor:** **George Y. Huang**, 8F, No. 435
Rui-Kuang Road Nei-Hu Dist., Taipei
(TW)

Primary Examiner—Kay H. Chin
(74) *Attorney, Agent, or Firm*—Law Office of Duncan
Palmatier

(**) **Term:** **14 Years**

(57) **CLAIM**

(21) **Appl. No.:** **29/174,700**

The ornamental design for a computer adapter with trans-
lucent covering, as shown and described.

(22) **Filed:** **Jan. 22, 2003**

DESCRIPTION

(51) **LOC (7) Cl.** **14-02**

(52) **U.S. Cl.** **D14/433; D13/146**

(58) **Field of Search** D14/432, 433;
D13/133, 135, 137.1, 137.4, 146, 147;
439/357, 358, 365, 638, 639, 654, 465

FIG. 1 is a front perspective view of a computer adapter with
translucent covering showing my new design, the broken
line illustration of elements of the computer adapter is for
illustrative purposes only and forms no part of the claimed
design;

(56) **References Cited**

FIG. 2 is a left side elevation view thereof;
FIG. 3 is a front elevation view thereof;
FIG. 4 is a right side elevation view thereof;
FIG. 5 is a rear elevation view thereof;
FIG. 6 is a top plan view thereof; and,
FIG. 7 is a bottom plan view thereof.

U.S. PATENT DOCUMENTS

D339,116 S	*	9/1993	Gates et al.	D14/433
D421,962 S	*	3/2000	Varga	D13/146
D437,828 S	*	2/2001	Corona	D13/146
D439,221 S	*	3/2001	Corona	D13/146
D454,113 S	*	3/2002	Ikeda et al.	D13/133

1 Claim, 2 Drawing Sheets

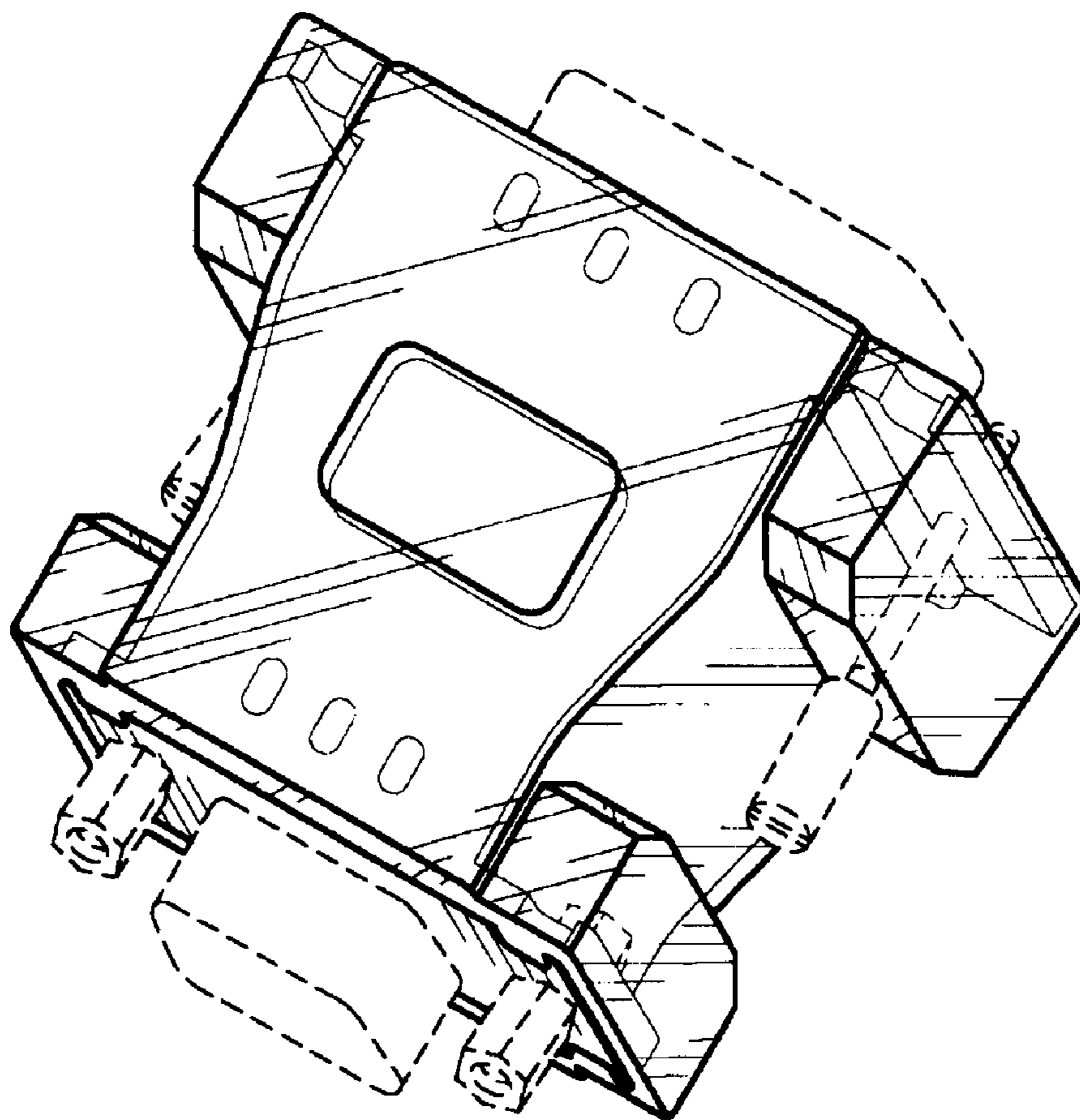


FIG. 1

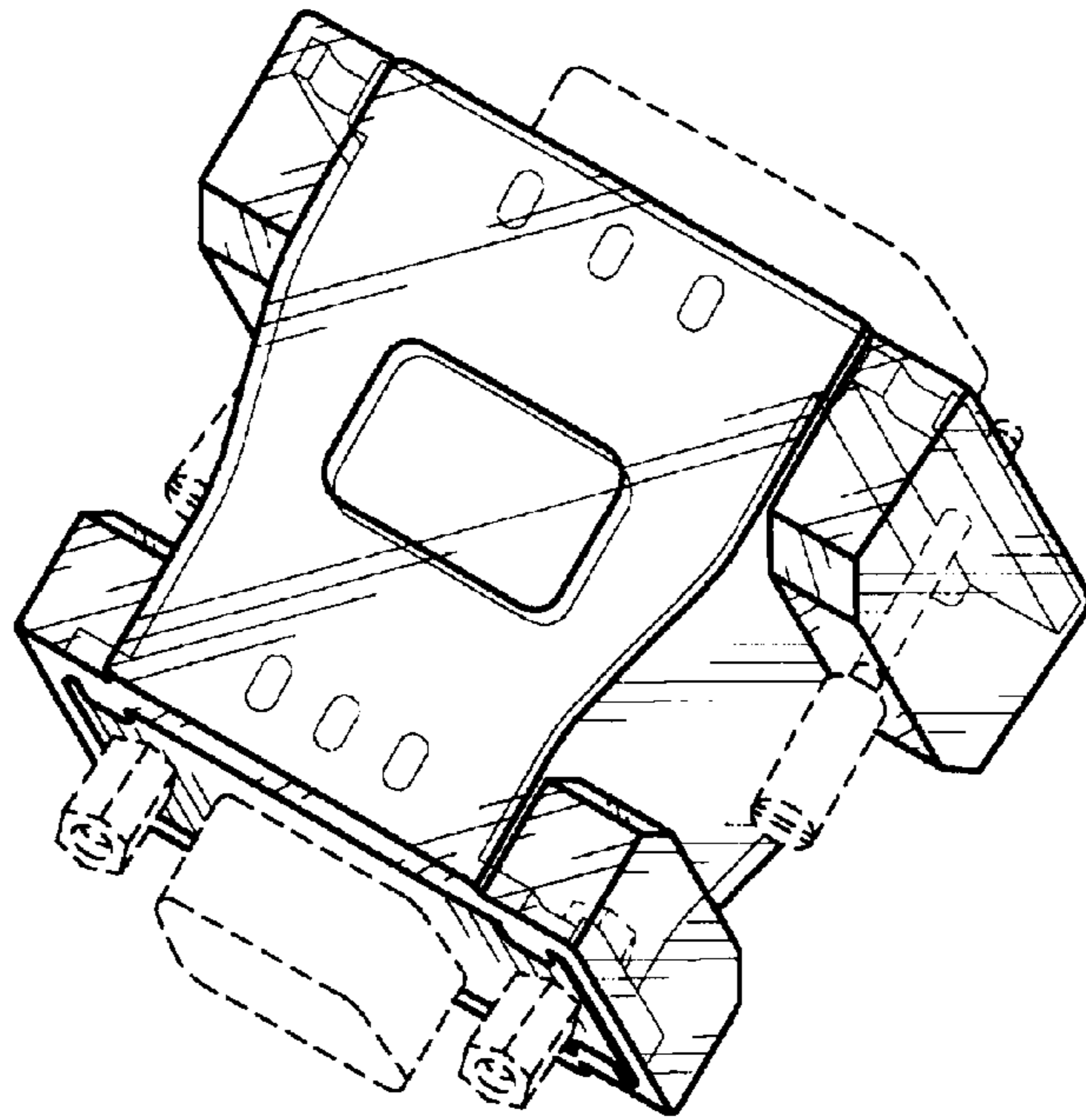


FIG. 6

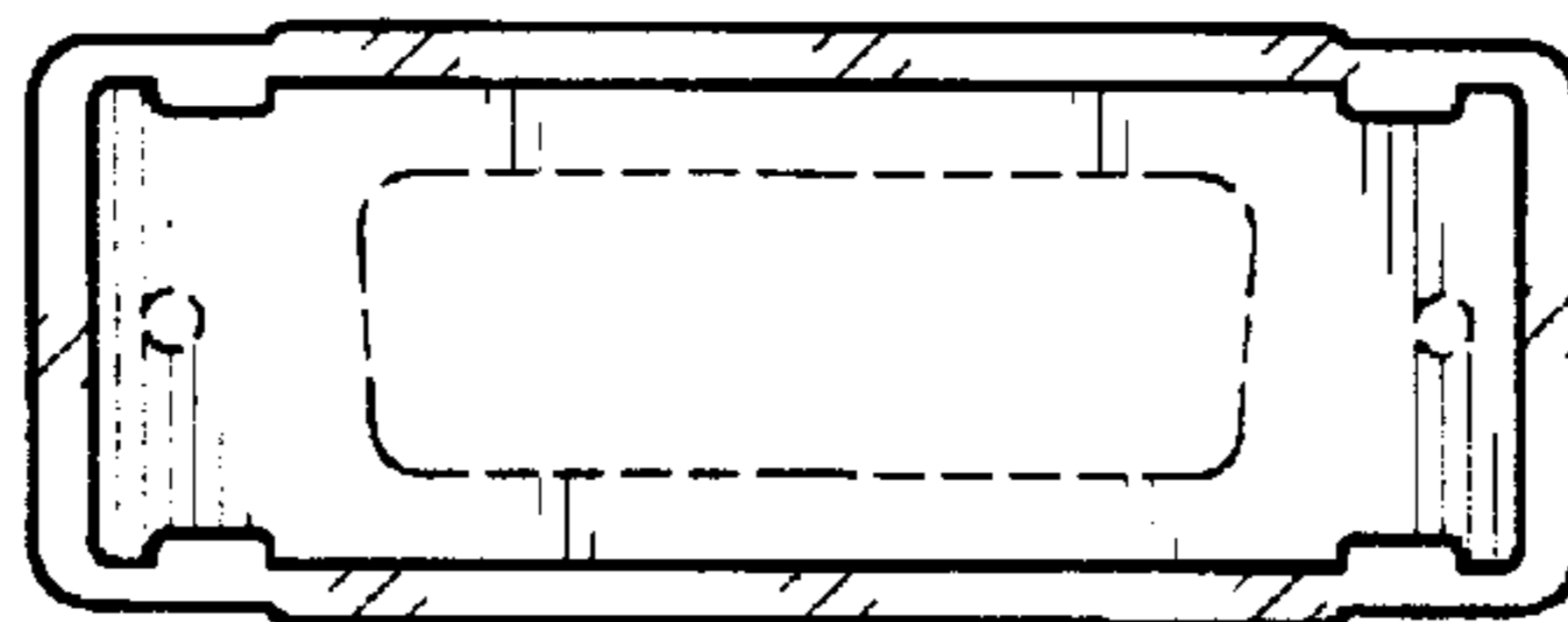


FIG. 7

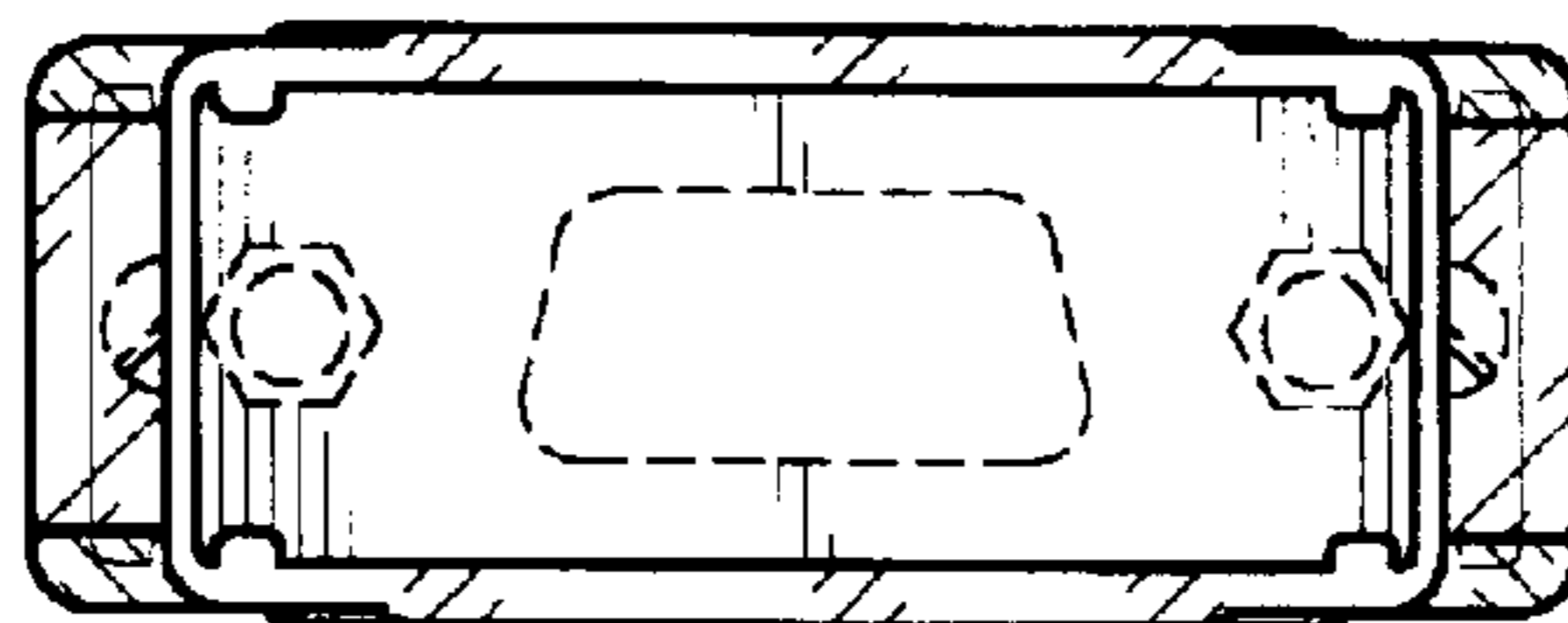


FIG.2

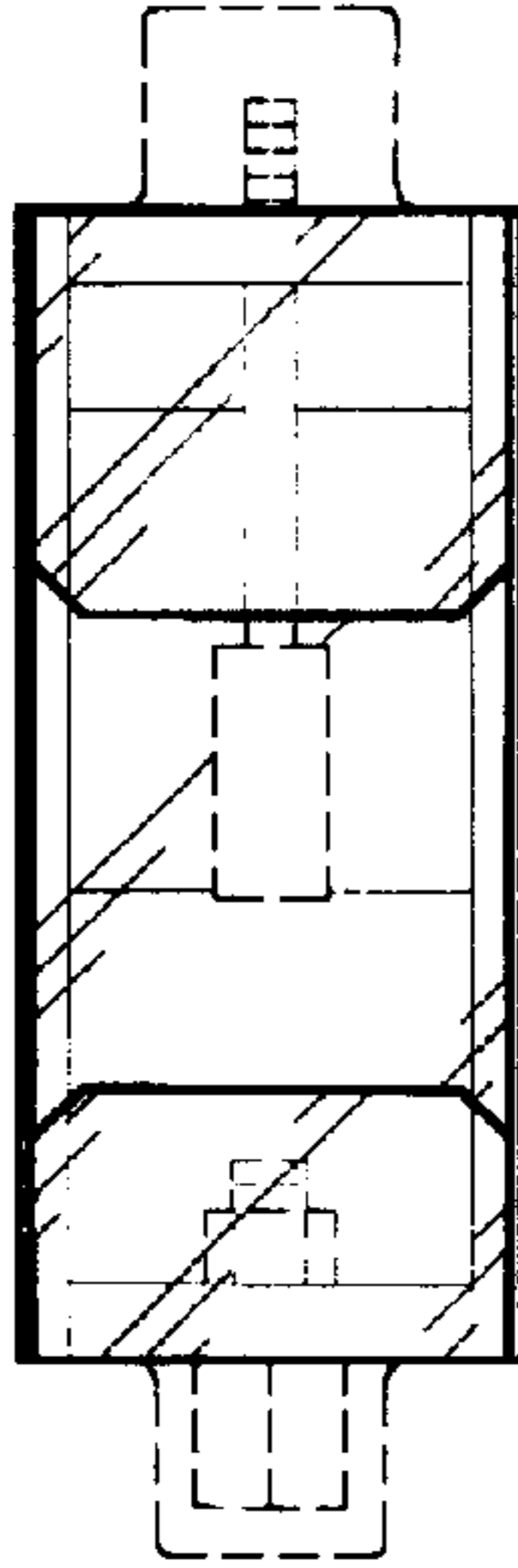


FIG.3

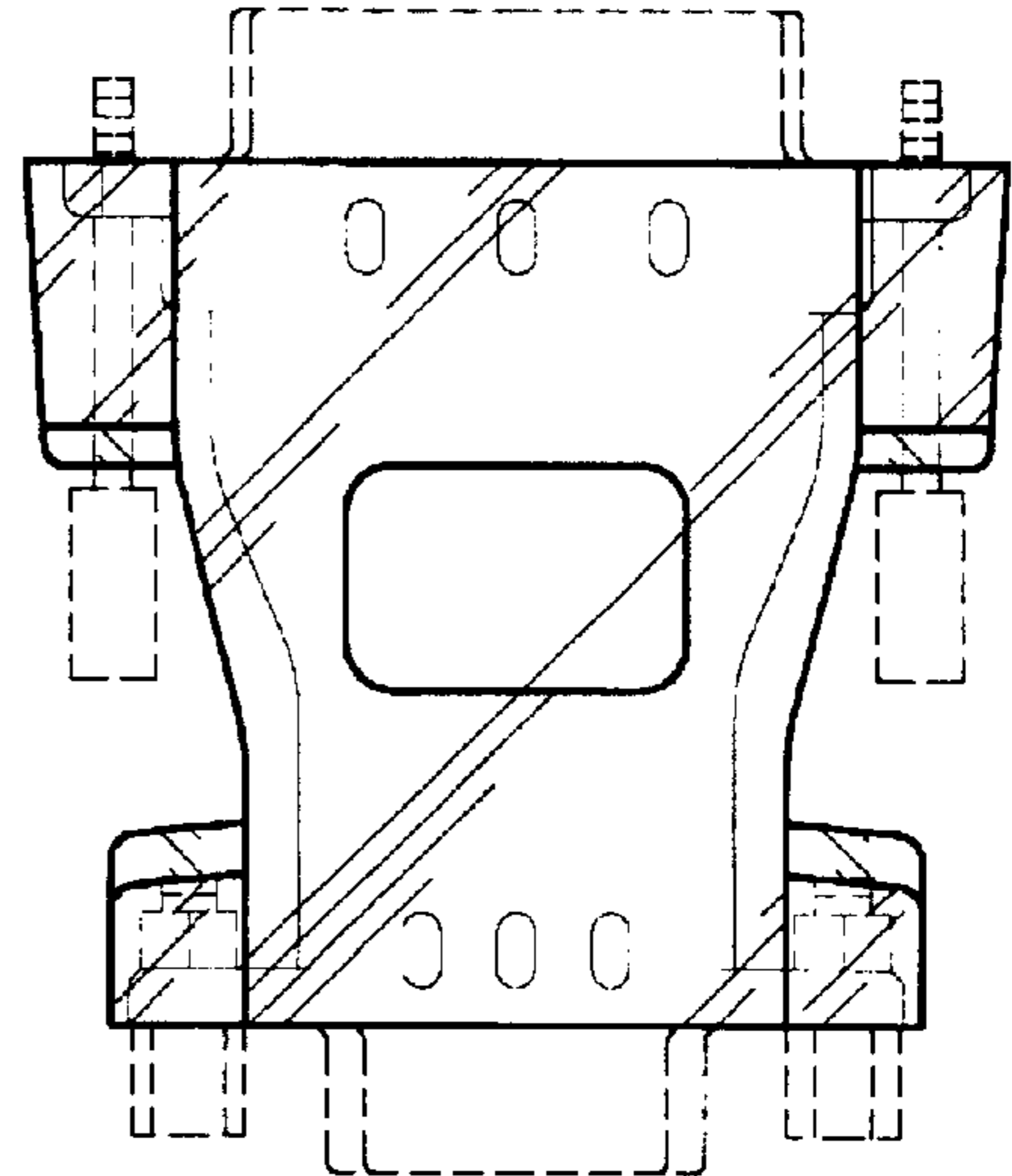


FIG.4

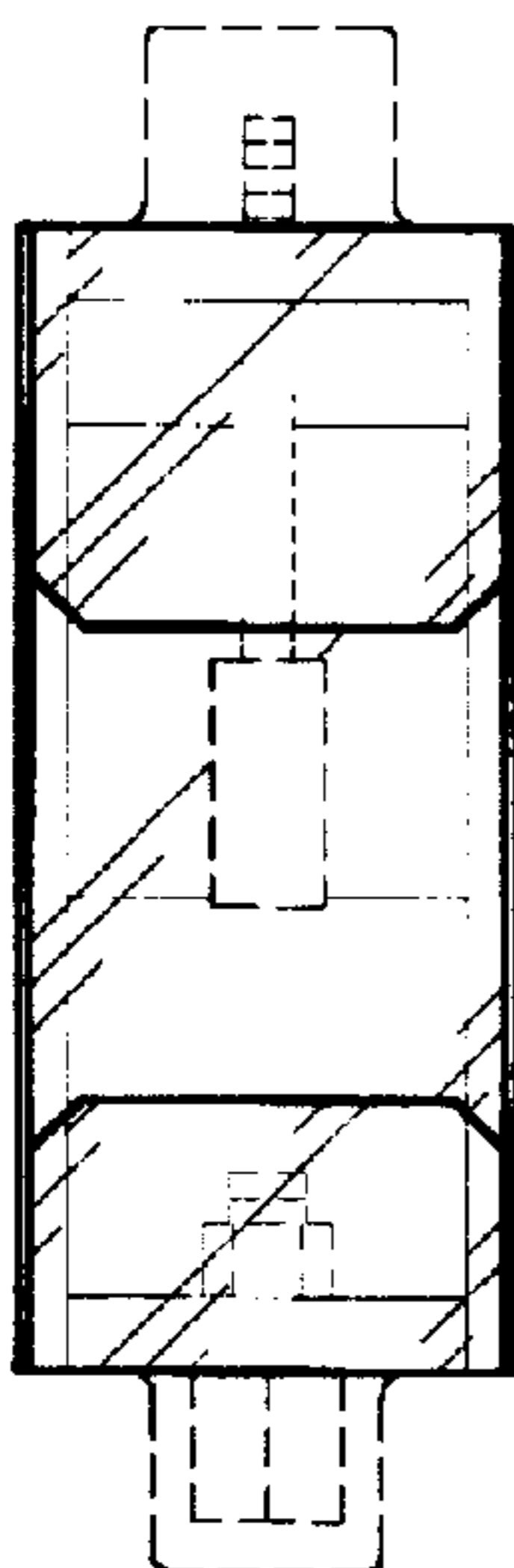


FIG.5

