



US00D483371S

(12) **United States Design Patent**  
**Johnston**

(10) **Patent No.:** **US D483,371 S**

(45) **Date of Patent:** **\*\* Dec. 9, 2003**

(54) **MAGNETIC CARD PAY STATION**

(57) **CLAIM**

(76) Inventor: **William F. Johnston**, 134 Berlin Rd.,  
Wilmington, OH (US) 45177

The ornamental design for a magnetic card pay station, as  
shown and described.

(\*\*) Term: **14 Years**

**DESCRIPTION**

(21) Appl. No.: **29/171,357**

FIG. 1 is a front perspective view of a magnetic card pay  
station showing my new design.

(22) Filed: **Nov. 22, 2002**

FIG. 2 is a top plan view of the magnetic card pay station.

(51) **LOC (7) Cl.** ..... **14-02**

FIG. 3 is a front elevated view of the magnetic card pay  
station.

(52) **U.S. Cl.** ..... **D14/385**

FIG. 4 is a bottom plan view of the magnetic card pay  
station.

(58) **Field of Search** ..... D14/385-387;  
250/556; 235/380, 382, 382.5; D18/4.5

FIG. 5 is a rear elevated view of the magnetic card pay  
station.

(56) **References Cited**

FIG. 6 is a right side elevated view of the magnetic card pay  
station; and,

**U.S. PATENT DOCUMENTS**

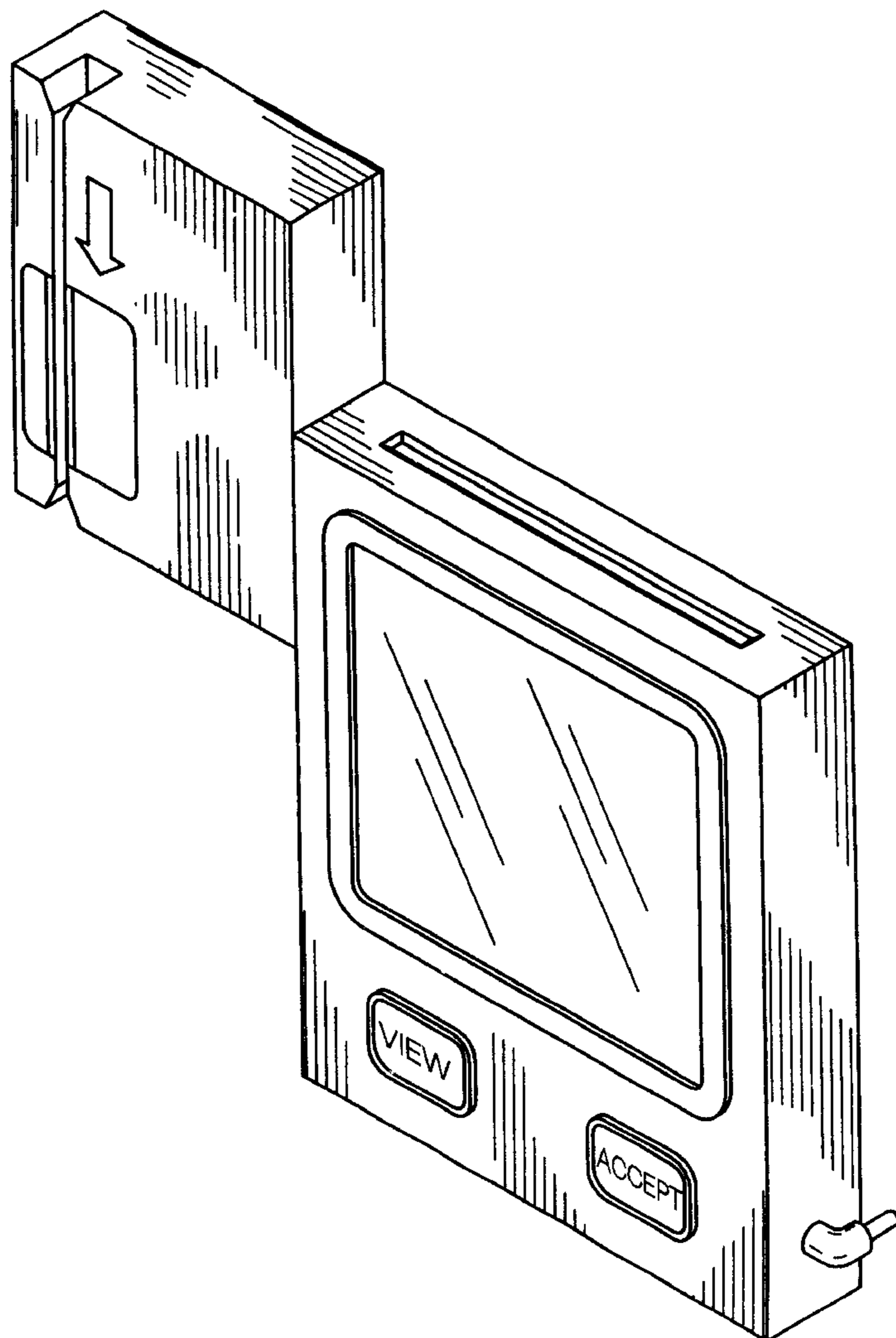
FIG. 7 is a left side elevated view of the magnetic card pay  
station.

D354,074 S \* 1/1995 Ono et al. .... D18/4.5

\* cited by examiner

*Primary Examiner*—Freda Nunn

**1 Claim, 4 Drawing Sheets**



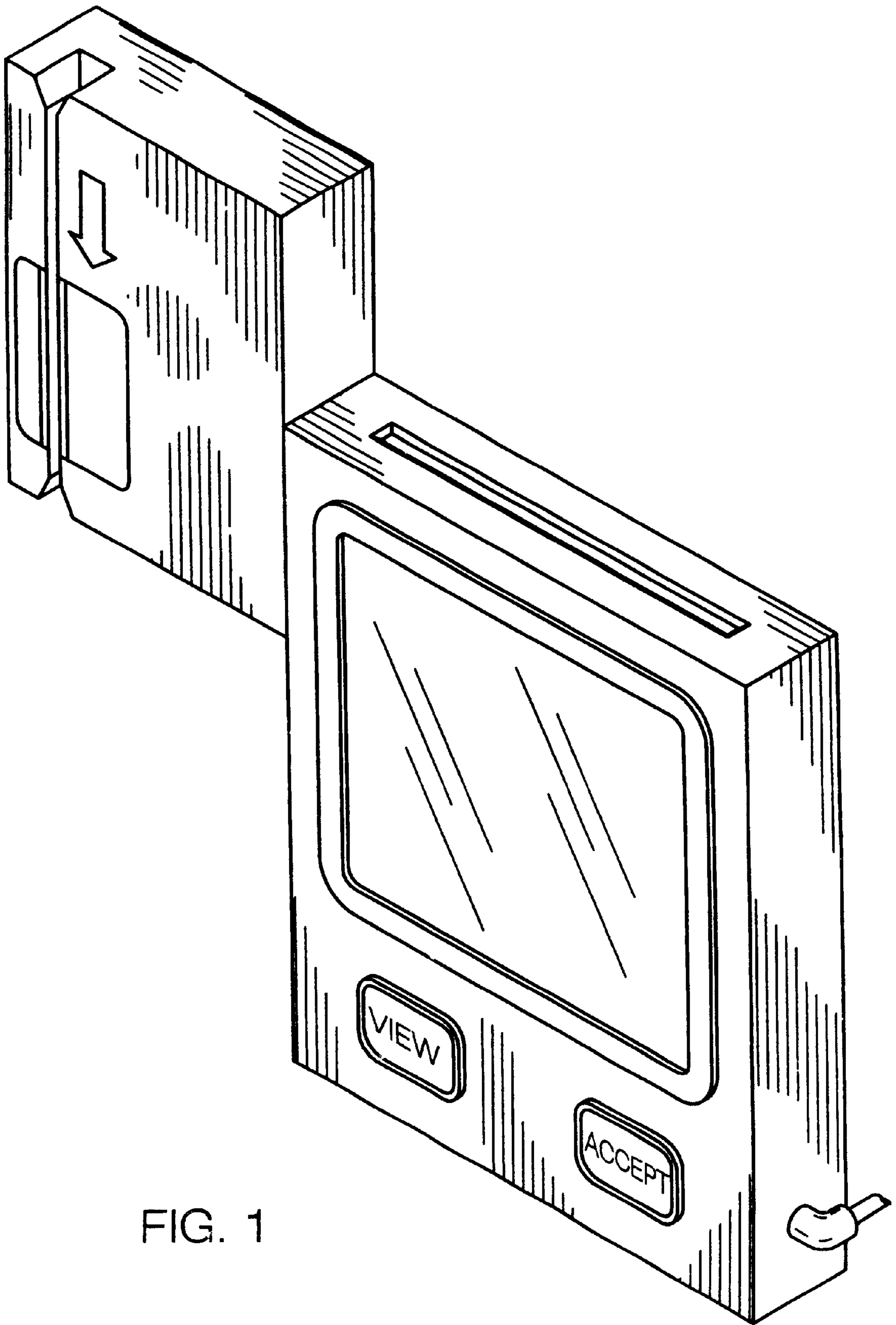


FIG. 1

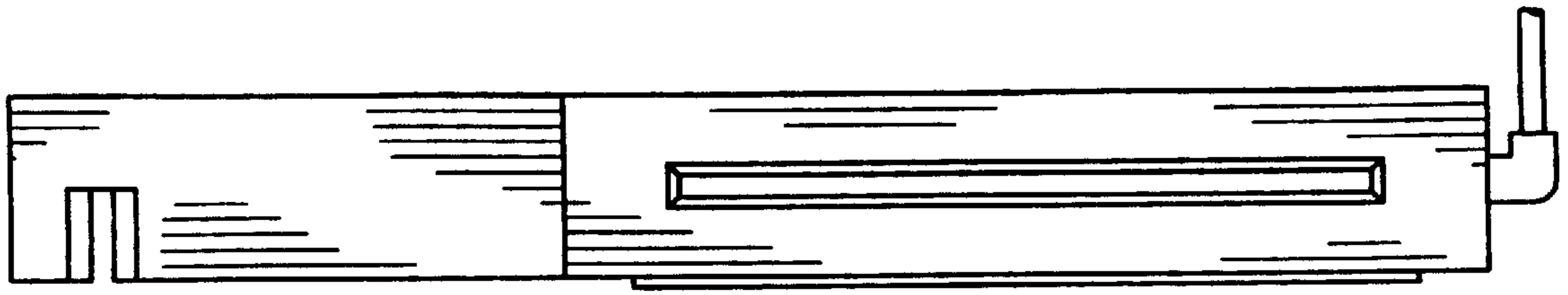


FIG. 2

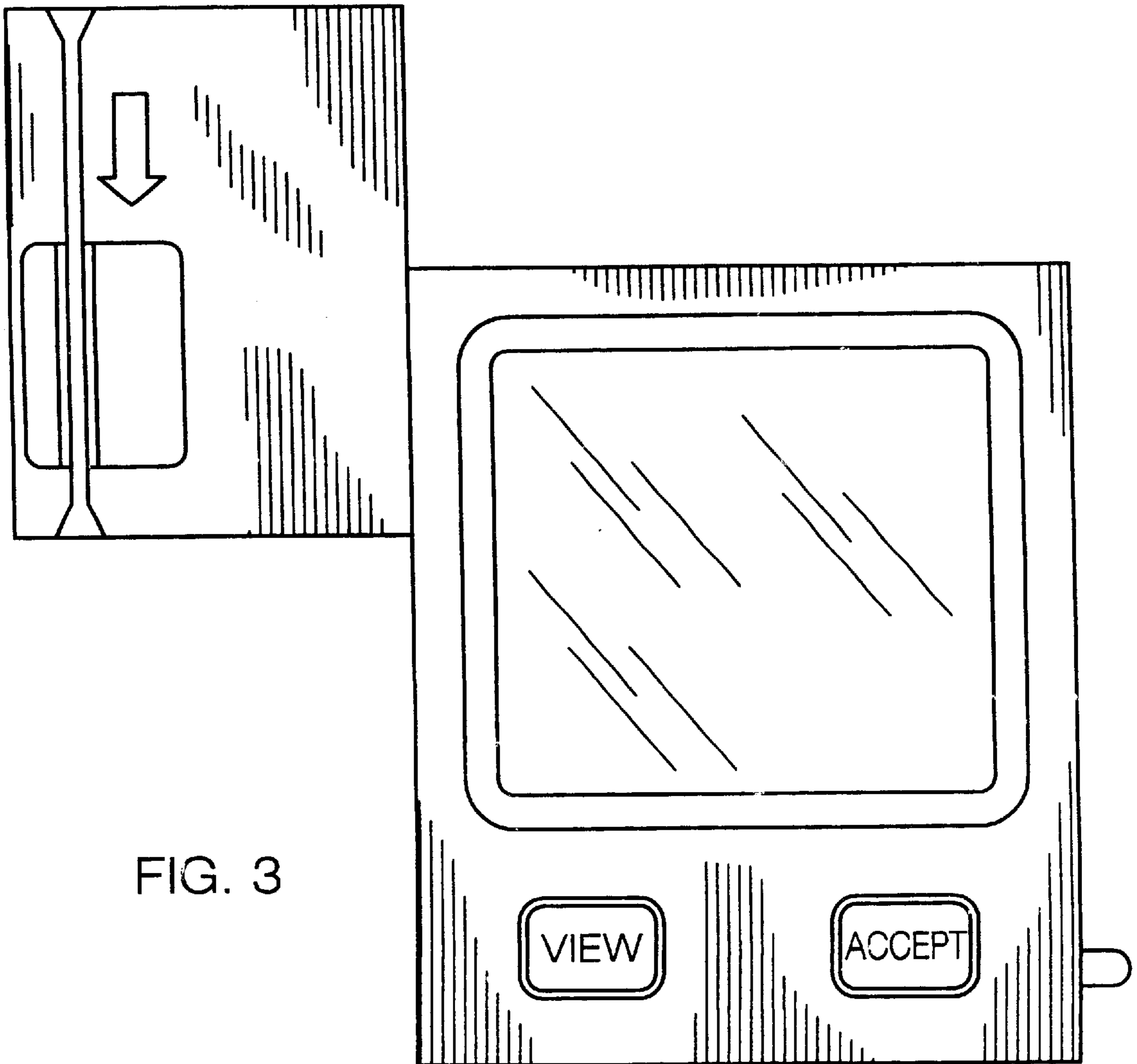


FIG. 3

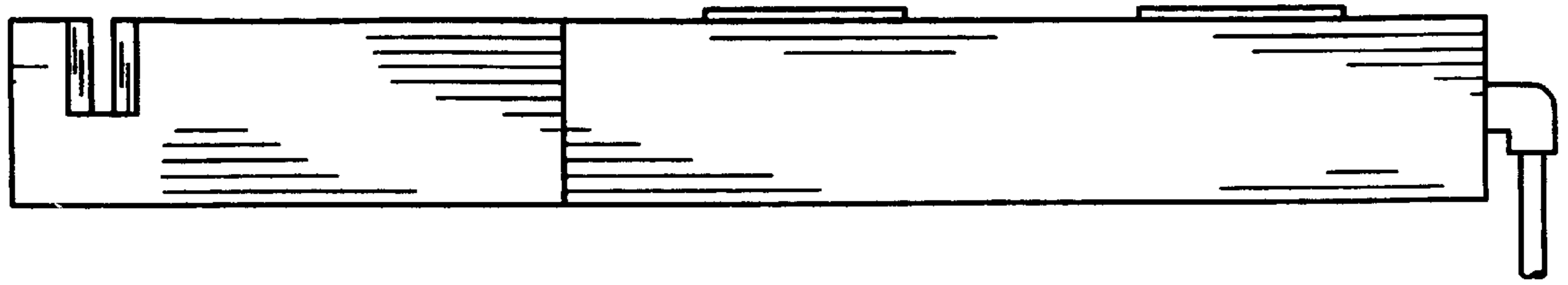


FIG. 4

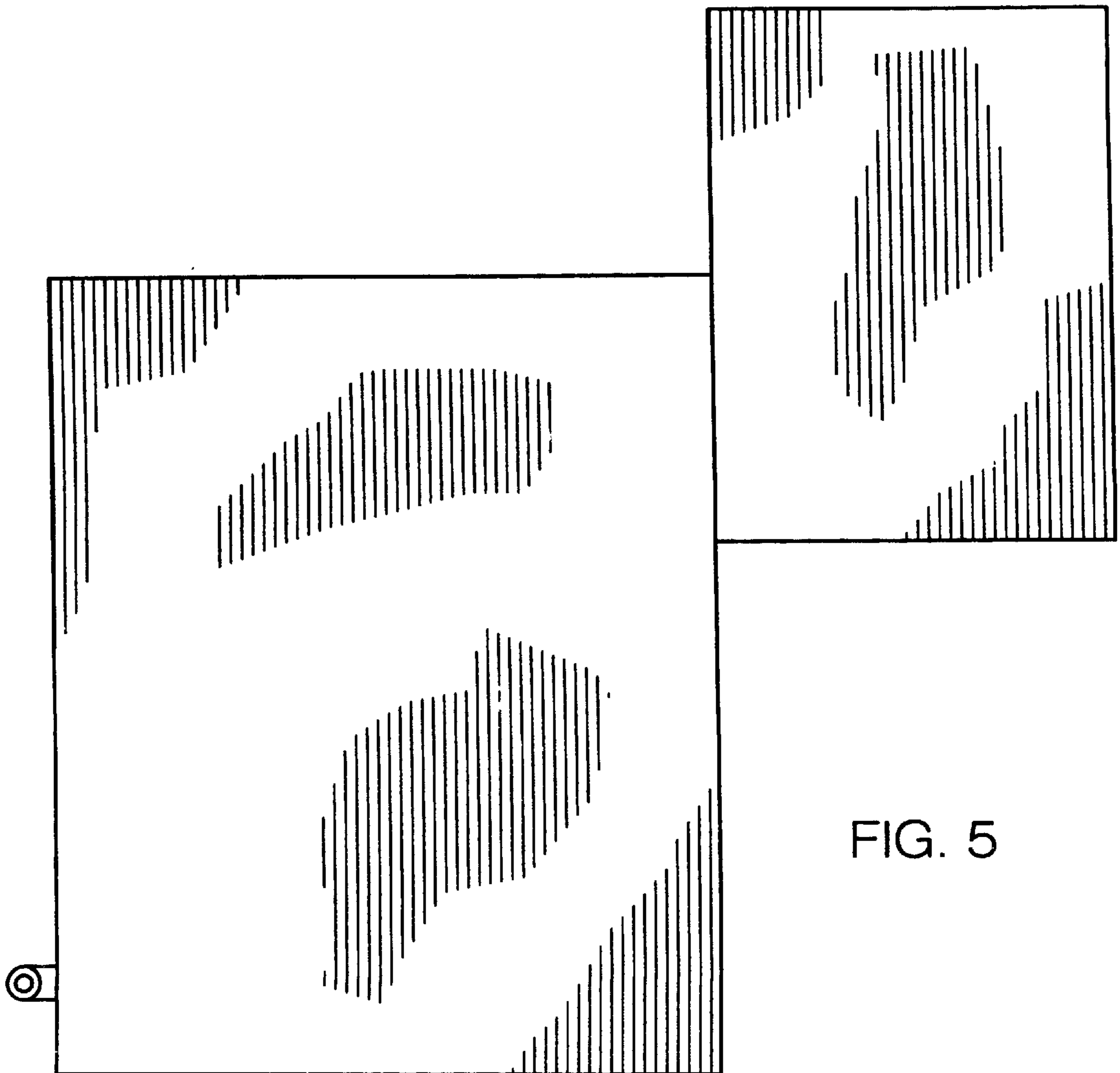


FIG. 5

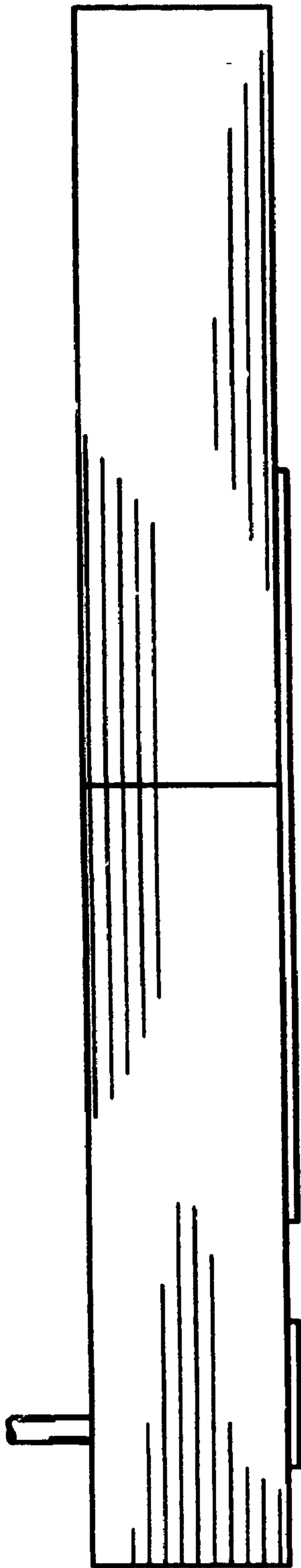


FIG. 6



FIG. 7