



US00D483362S

(12) **United States Design Patent**
Lian et al.

(10) **Patent No.:** **US D483,362 S**

(45) **Date of Patent:** **** Dec. 9, 2003**

(54) **LCD PERSONAL COMPUTER**

D416,549 S * 11/1999 Coster et al. D14/375
D439,224 S * 3/2001 Kita D14/126

(75) Inventors: **Li-Ching Lian**, Taipei (TW);
Jui-Hsiung Fang, Taipei (TW)

* cited by examiner

(73) Assignee: **Uniwill Computer Corporation (TW)**

Primary Examiner—Freda Nunn
(74) *Attorney, Agent, or Firm*—Baker Botts L.L.P.

(**) Term: **14 Years**

(57) **CLAIM**

(21) Appl. No.: **29/166,610**

The ornamental design for a LCD personal computer, substantially as shown and described.

(22) Filed: **Aug. 28, 2002**

DESCRIPTION

(51) **LOC (7) Cl.** **14-02**

(52) **U.S. Cl.** **D14/375**

(58) **Field of Search** D14/371, 374,
D14/375, 125-129; 345/104, 156, 168,
173, 901-905; 348/180, 184, 325, 739;
248/918-924; 341/12; 349/1, 2, 11, 62

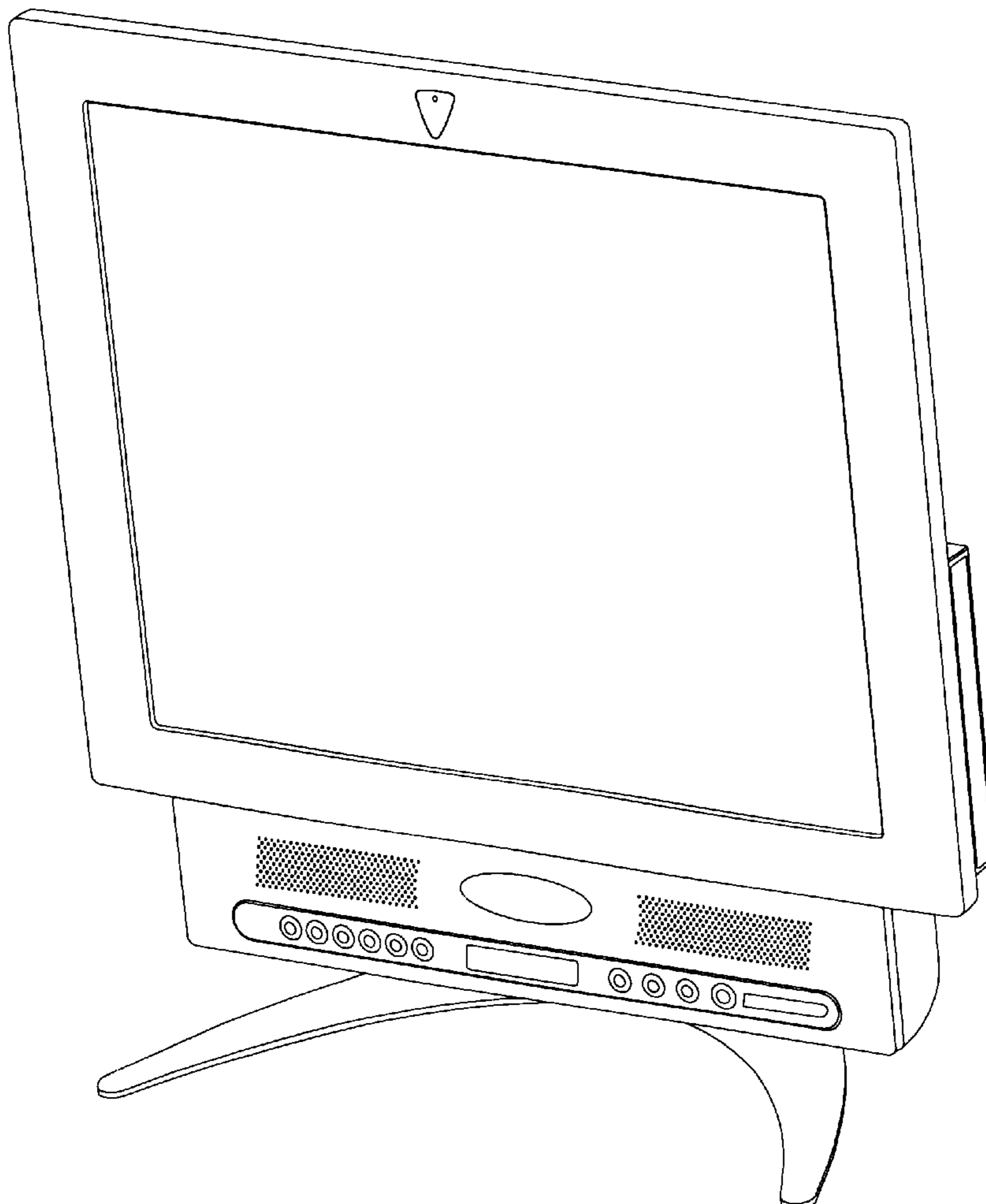
FIG. 1 is a perspective view of a LCD personal computer showing the present design;
FIG. 2 is a top view thereof;
FIG. 3 is a bottom view thereof;
FIG. 4 is a front view thereof;
FIG. 5 is a rear view thereof;
FIG. 6 is a left side view thereof; and,
FIG. 7 is a right side view thereof.

(56) **References Cited**

U.S. PATENT DOCUMENTS

D407,077 S * 3/1999 Shibata D14/374

1 Claim, 6 Drawing Sheets



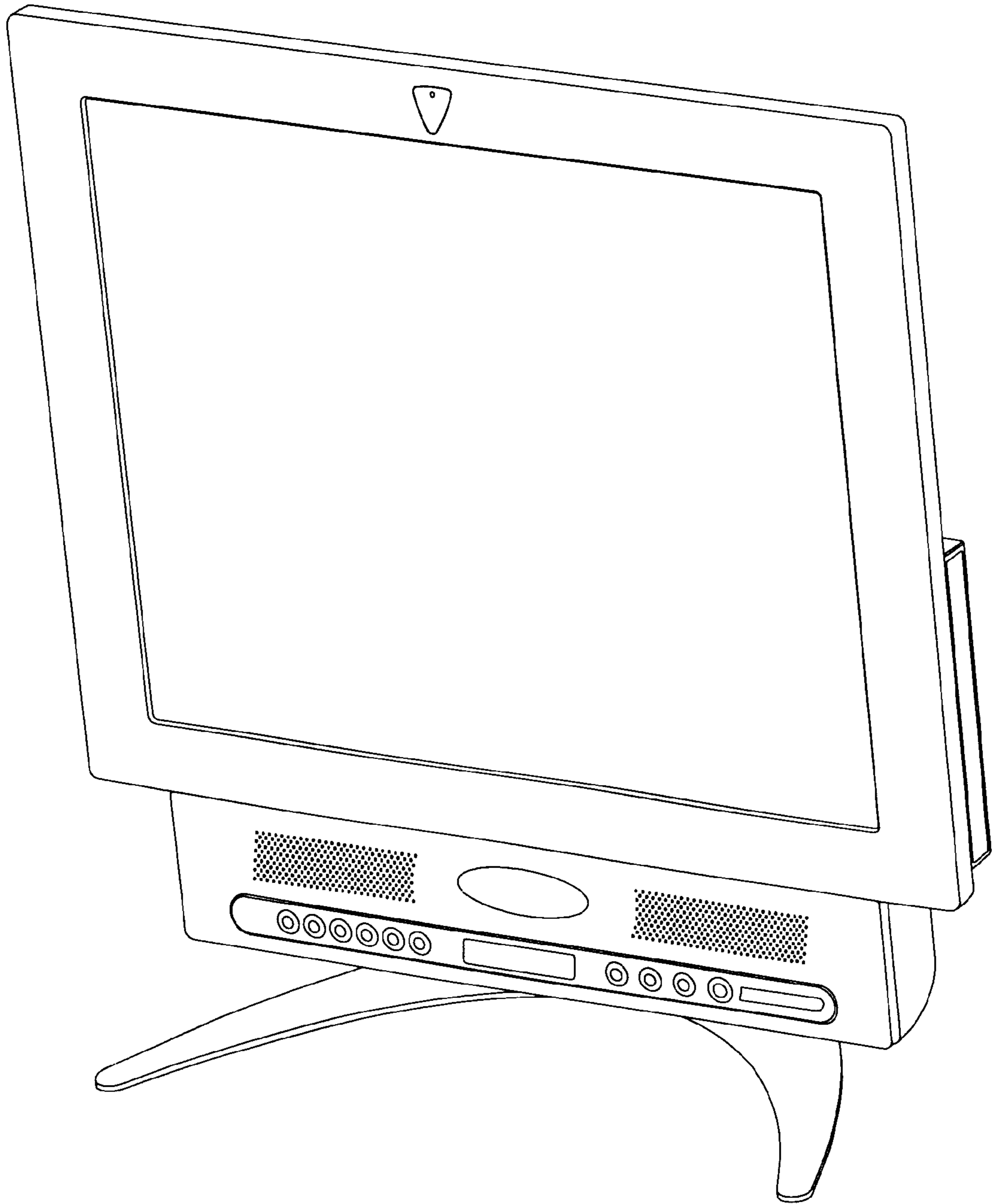


Fig. 1

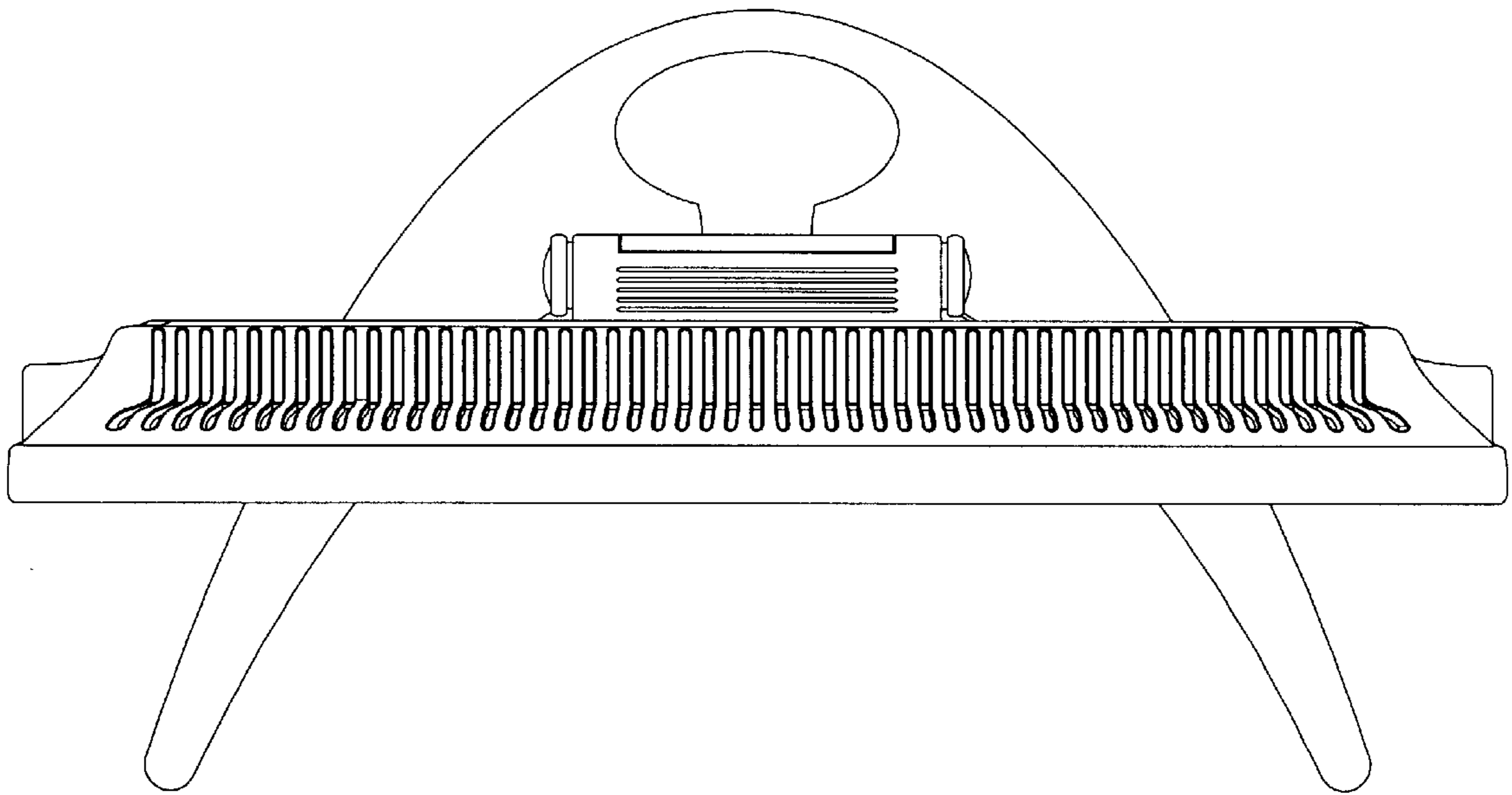


Fig. 2

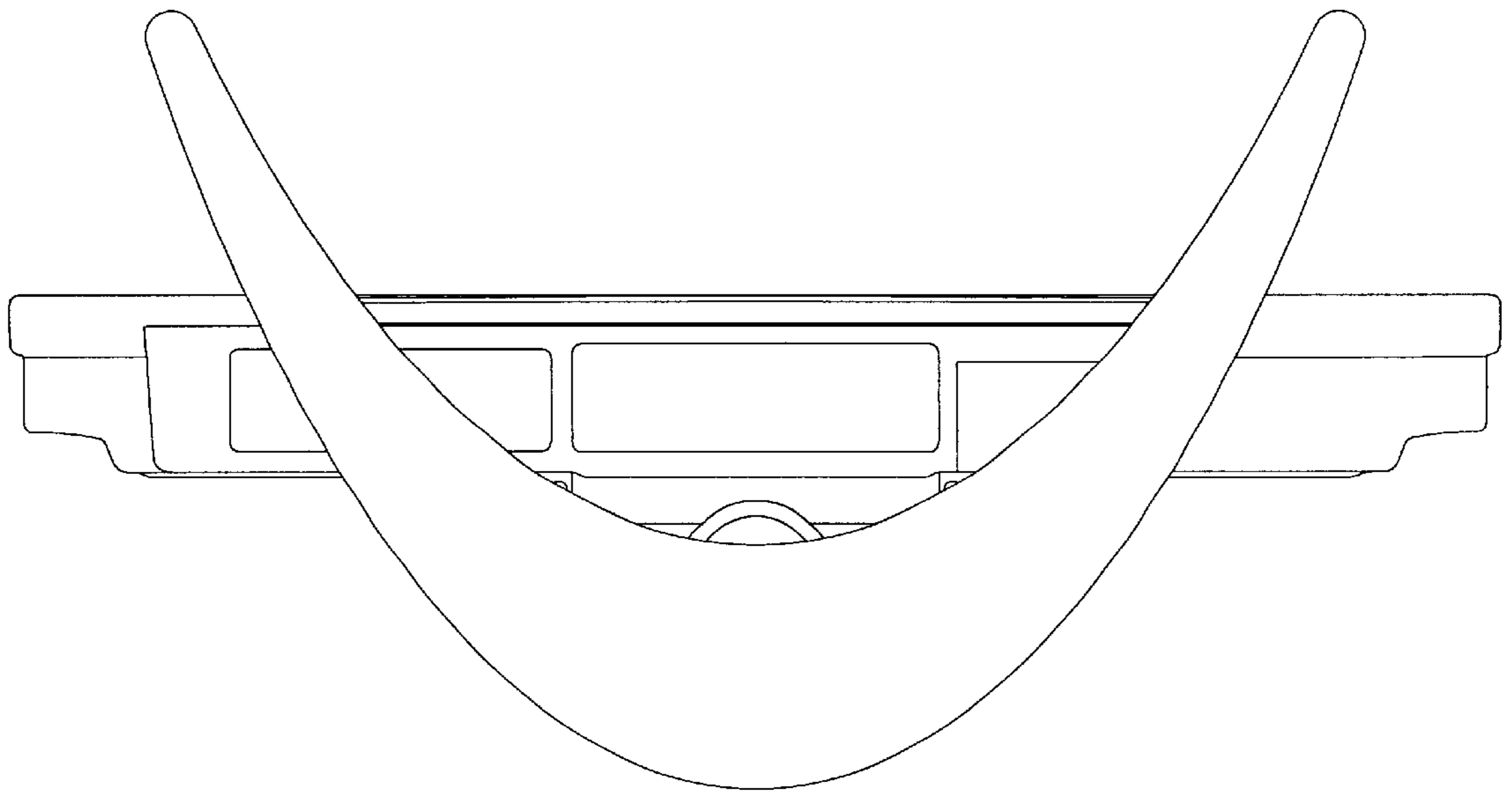


Fig. 3

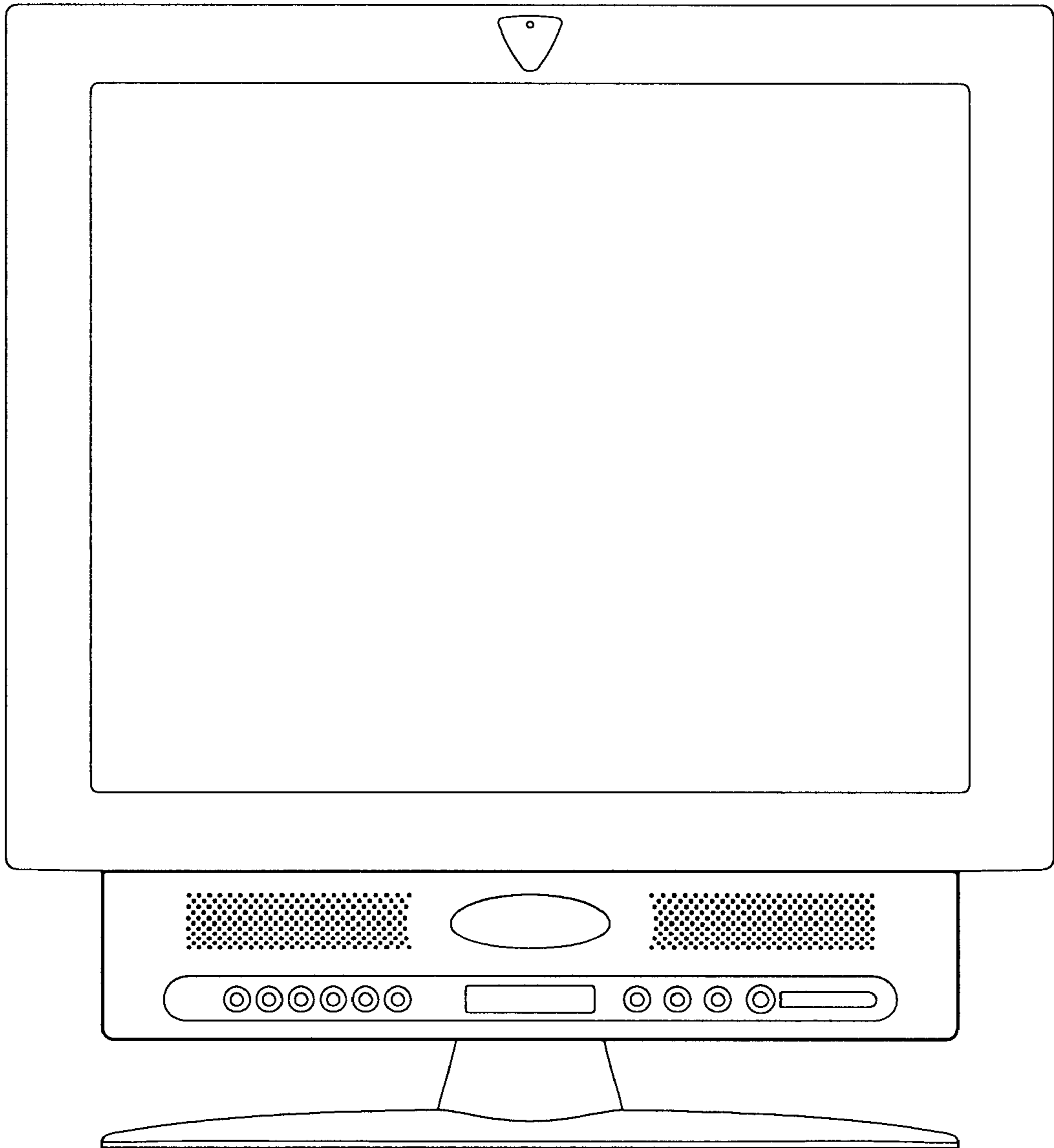


Fig. 4

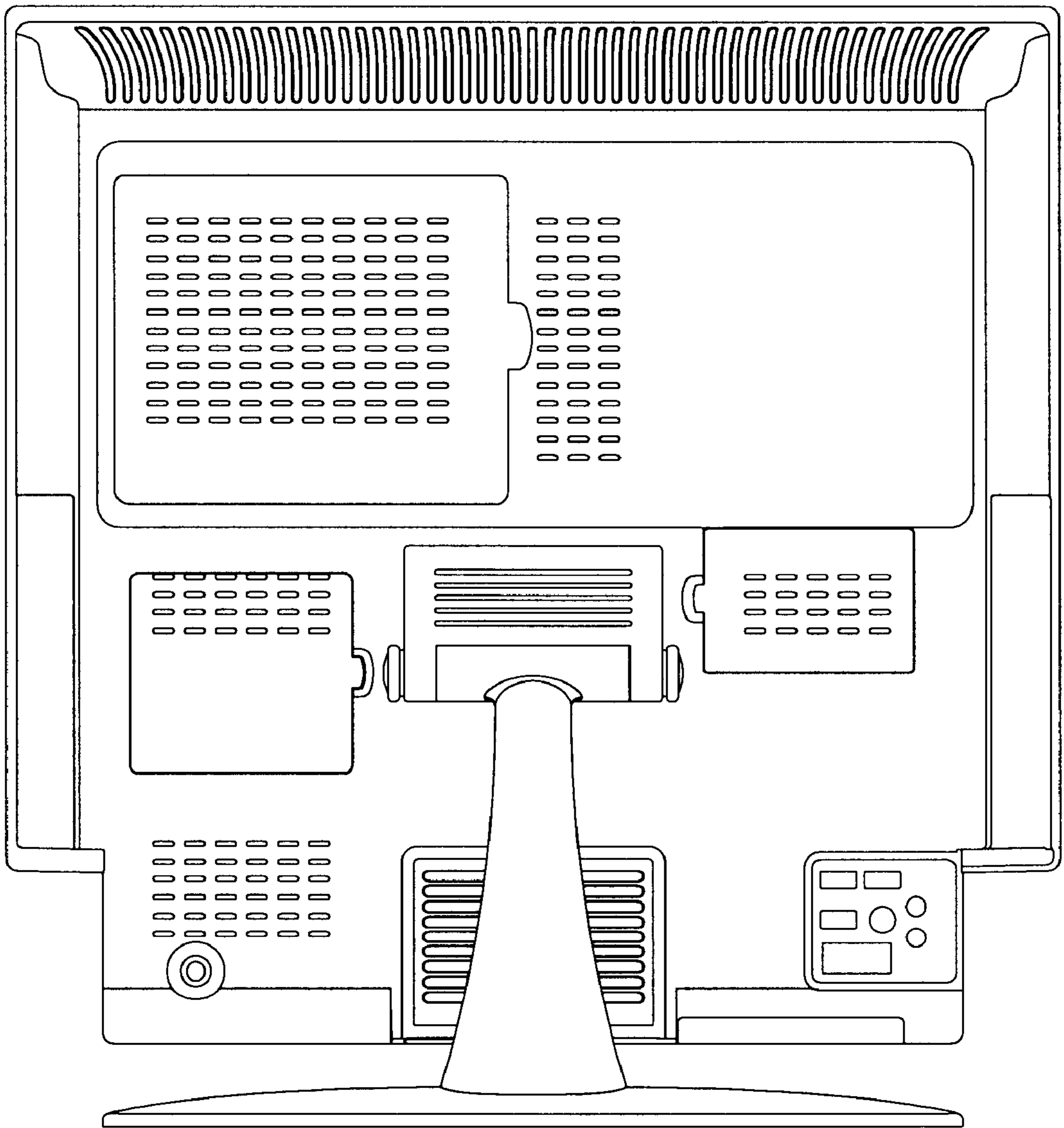


Fig. 5

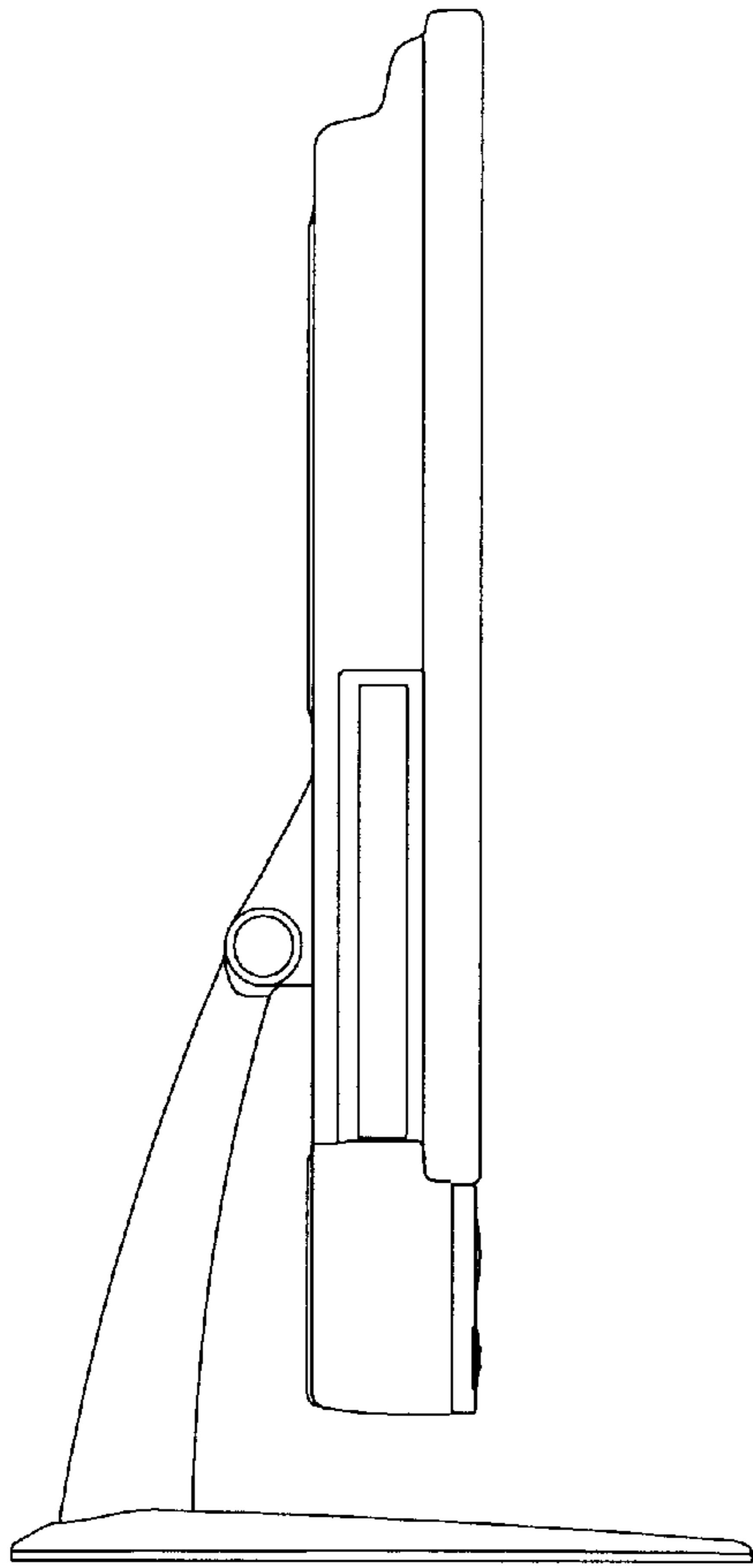


Fig. 6

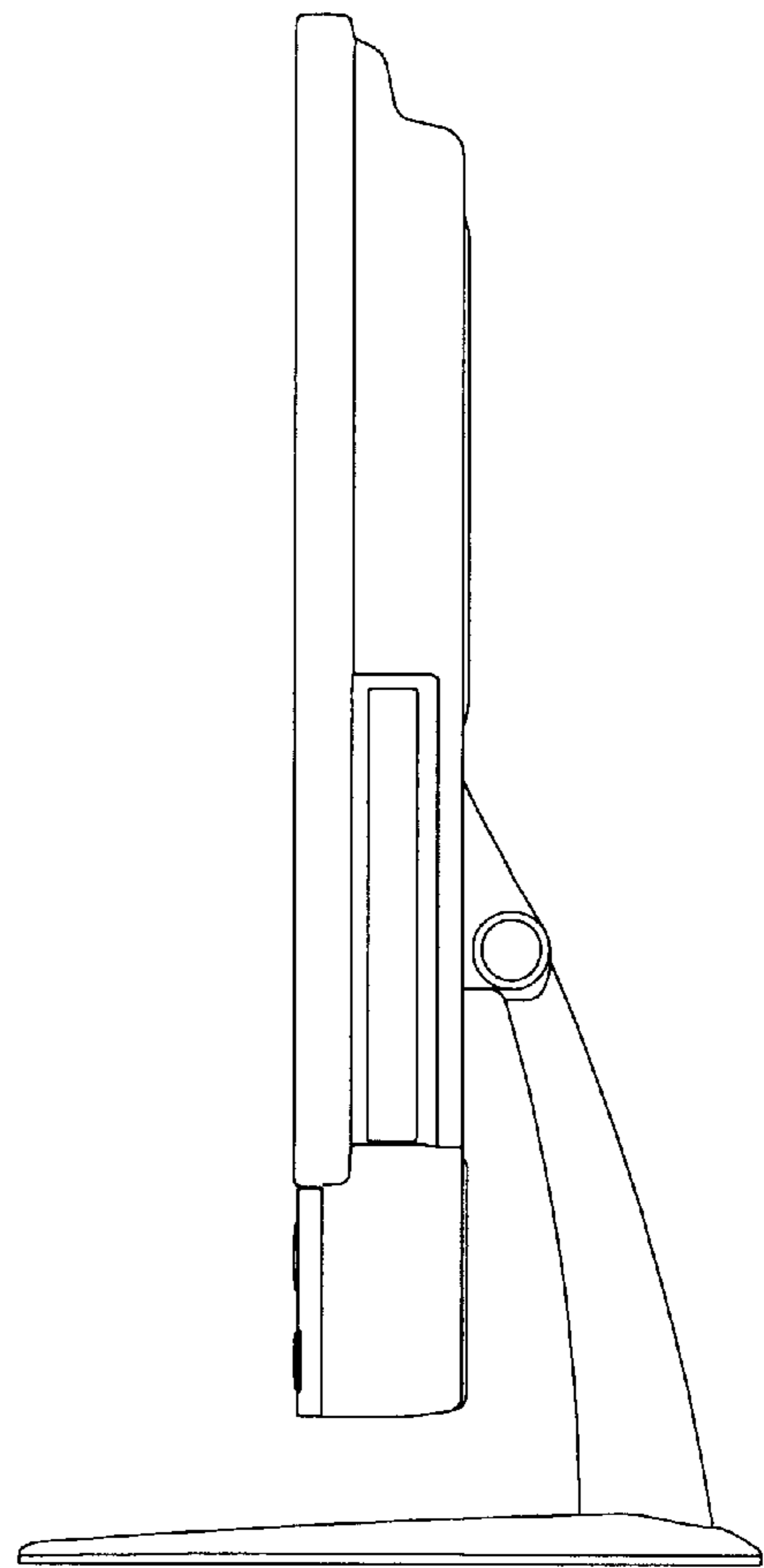


Fig. 7