



US00D483361S

(12) **United States Design Patent**
Yao et al.

(10) **Patent No.:** **US D483,361 S**

(45) **Date of Patent:** **** Dec. 9, 2003**

(54) **PORTABLE CONTENT DISPLAY DEVICE**

(75) Inventors: **Penelope C. Yao**, San Francisco, CA (US); **Thomas E. Colson**, Sunnyvale, CA (US); **Martin F. Eberhard**, Woodside, CA (US); **Fadhly A. Bey**, San Francisco, CA (US)

(73) Assignee: **Gemstar-TV Guide International, Inc.**, Hollywood, CA (US)

(**) Term: **14 Years**

(21) Appl. No.: **29/121,400**

(22) Filed: **Apr. 4, 2000**

(51) **LOC (7) Cl.** **14-02**

(52) **U.S. Cl.** **D14/374; D14/341**

(58) **Field of Search** D14/336, 341, D14/342, 343, 345, 374; D19/26, 52, 59, 60, 62; 345/104, 156, 168, 173, 901, 905; 364/708.1; 349/12; 178/18.03; D16/225

(56) **References Cited**

U.S. PATENT DOCUMENTS

D346,366 S	*	4/1994	Kim et al.	D14/342
5,594,562 A	*	1/1997	Sato et al.	349/12
D377,929 S	*	2/1997	Sekino et al.	D14/336
D379,090 S	*	5/1997	Maekawa et al.	D14/374
D390,861 S	*	2/1998	Liao	D16/225
D404,761 S	*	1/1999	Tarpenning et al.	D14/341

* cited by examiner

Primary Examiner—Freda Nunn

(74) *Attorney, Agent, or Firm*—Townsend and Townsend and Crew LLP

(57) **CLAIM**

The ornamental design for a portable content display device, as shown and described.

DESCRIPTION

FIG. 1 is a perspective view of a device configured in accordance with a preferred embodiment of the present invention;

FIG. 2 is a front elevational view of the device of FIG. 1;

FIG. 3 is a top plan view of the device of FIG. 1;

FIG. 4 is a bottom plan view of the device of FIG. 1;

FIG. 5 is a right side elevational view of the device of FIG. 1;

FIG. 6 is a left side elevational view of the device of FIG. 1;

FIG. 7 is a back elevational view of the device of FIG. 1;

FIG. 8 is a perspective view of another device configured in accordance with a preferred embodiment of the present invention;

FIG. 9 is a front elevational view of the device of FIG. 8;

FIG. 10 is a top plan view of the device of FIG. 8;

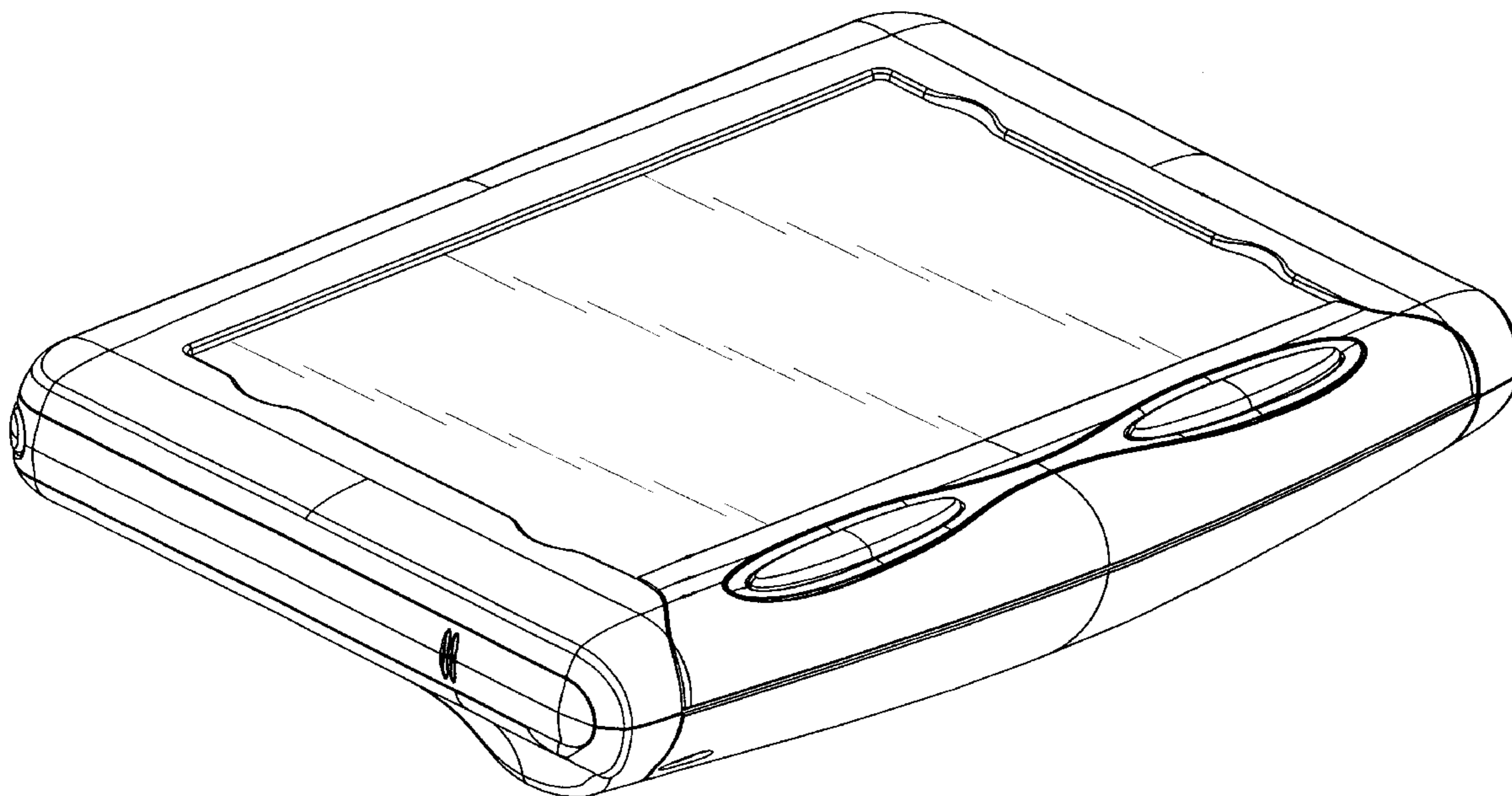
FIG. 11 is a bottom plan view of the device of FIG. 8;

FIG. 12 is a right side elevational view of the device of FIG. 8;

FIG. 13 is a left side elevational view of the device of FIG. 8; and,

FIG. 14 is a back elevational view of the device of FIG. 8.

1 Claim, 4 Drawing Sheets



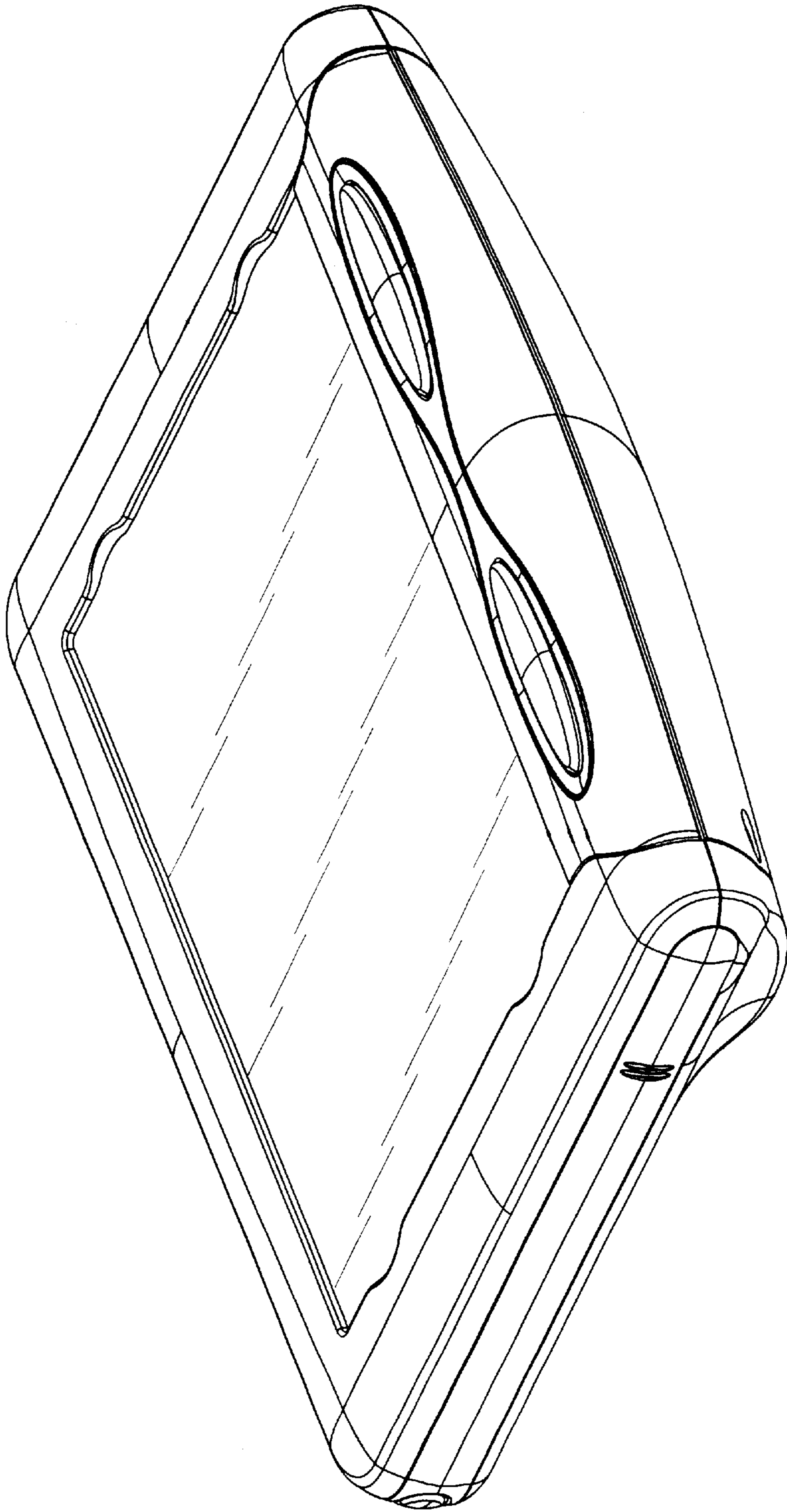


FIG. 1

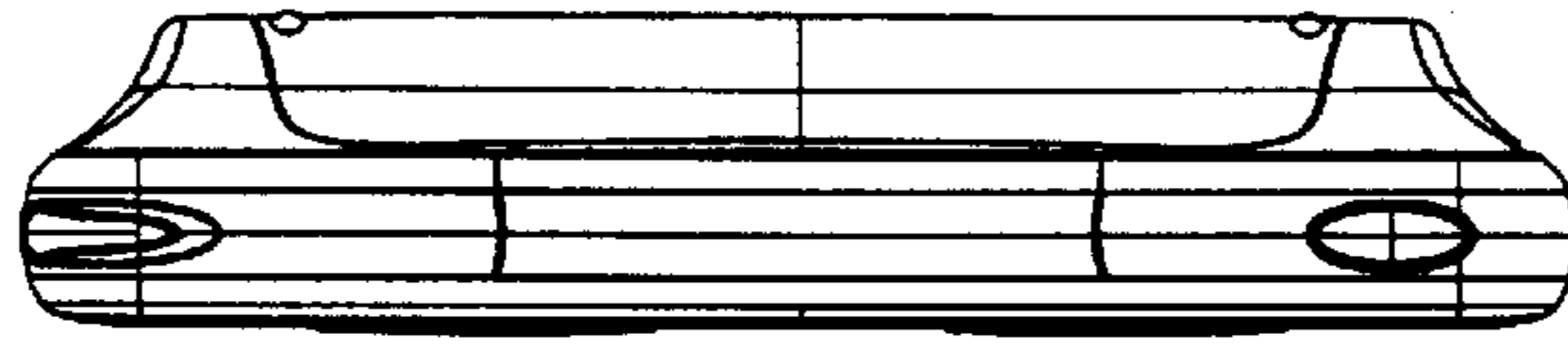


FIG. 3

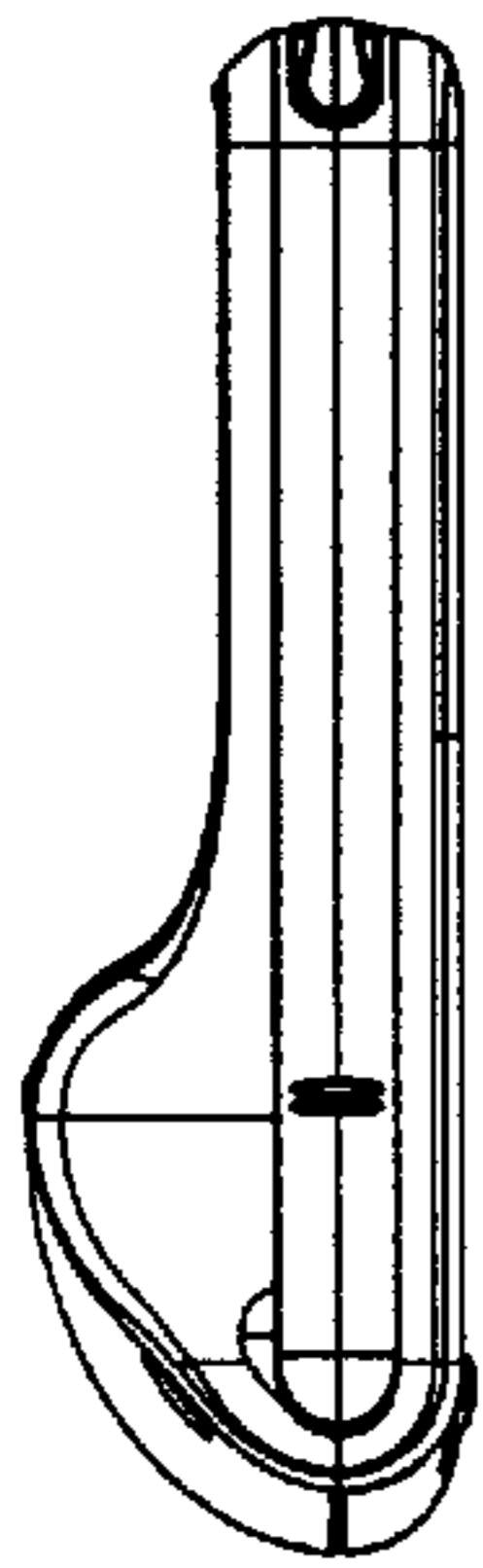


FIG. 6

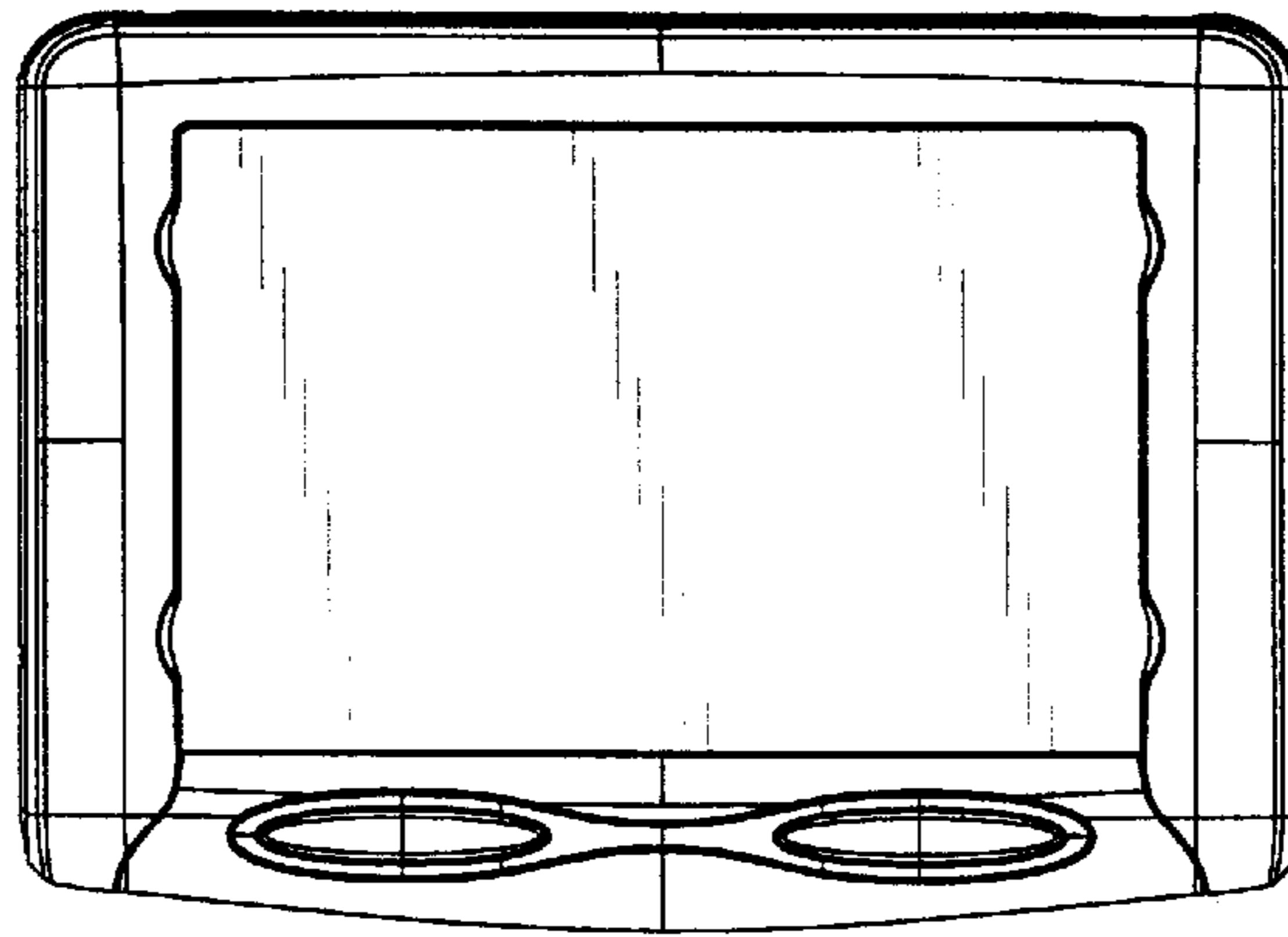


FIG. 2

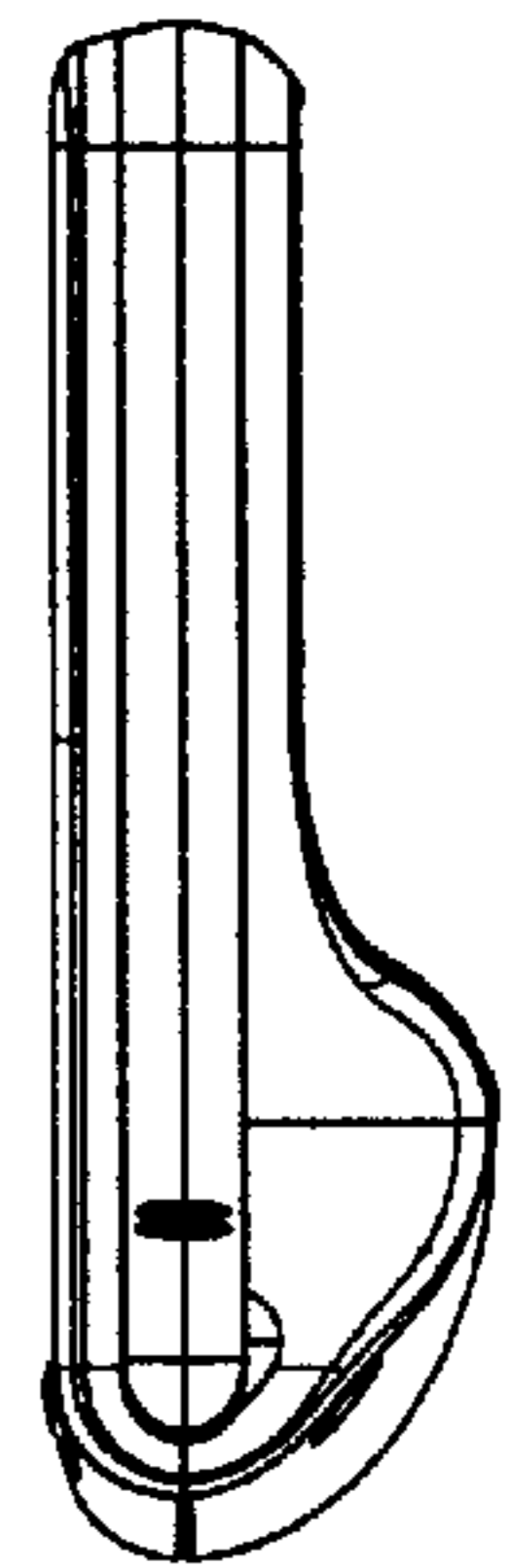


FIG. 5

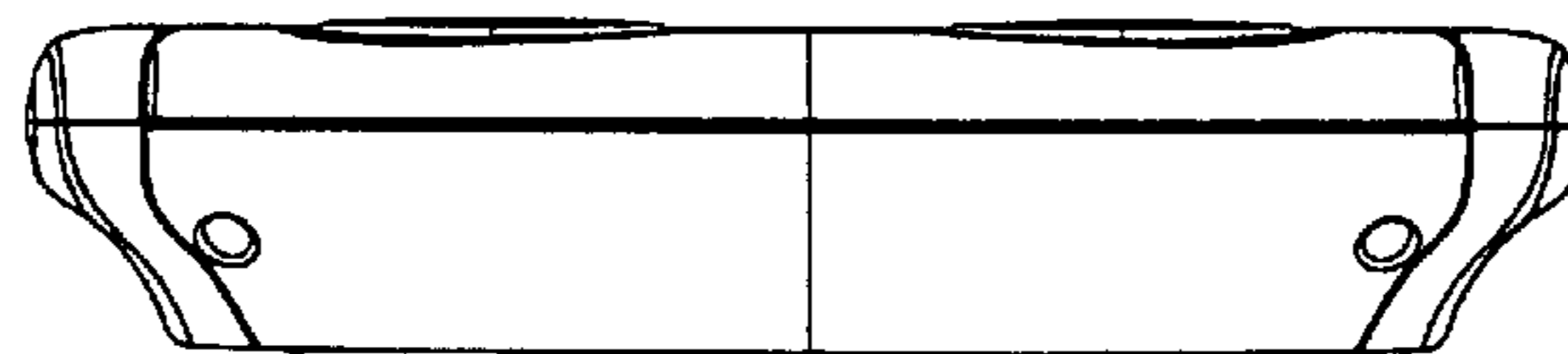


FIG. 4

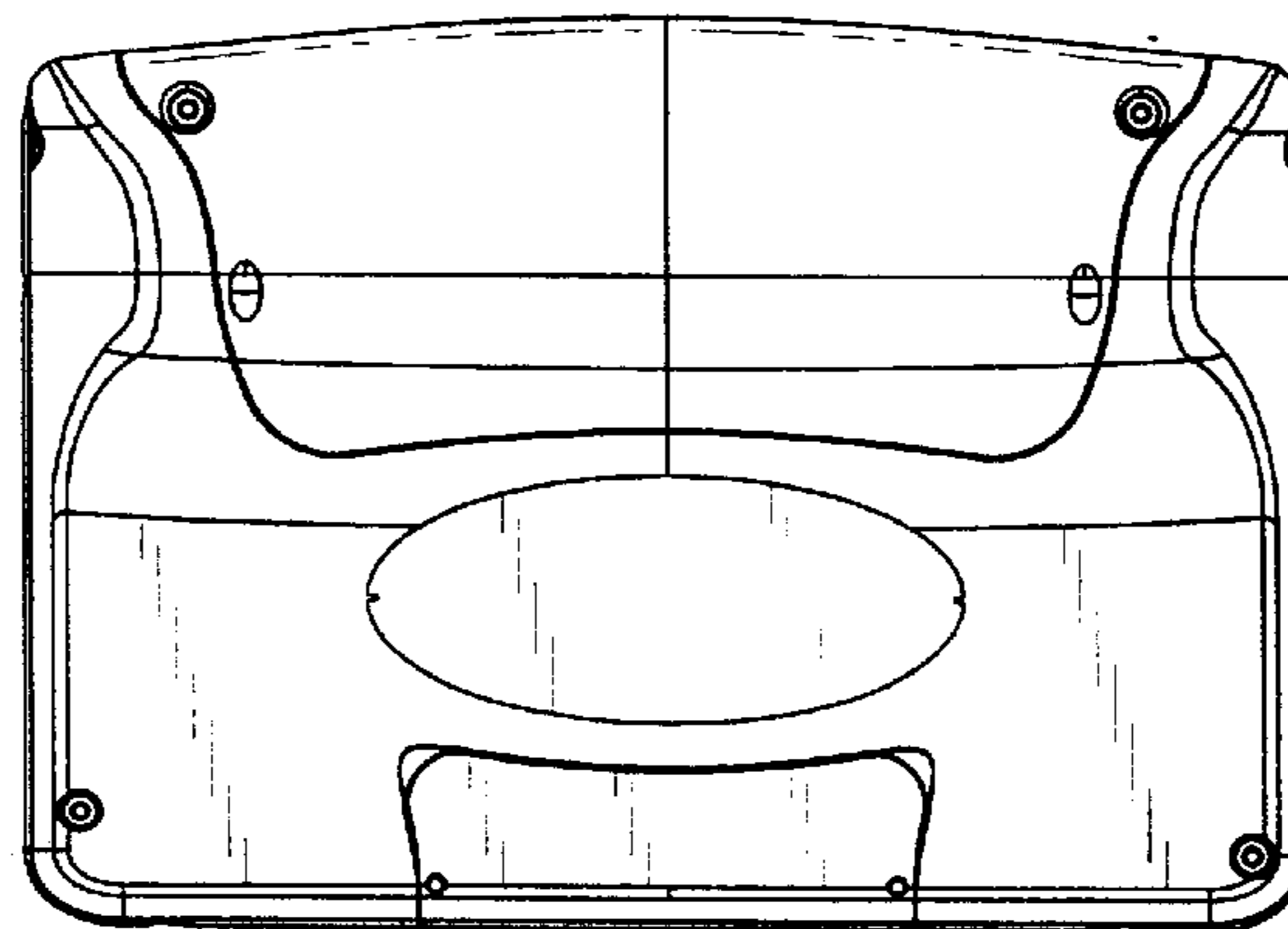


FIG. 7

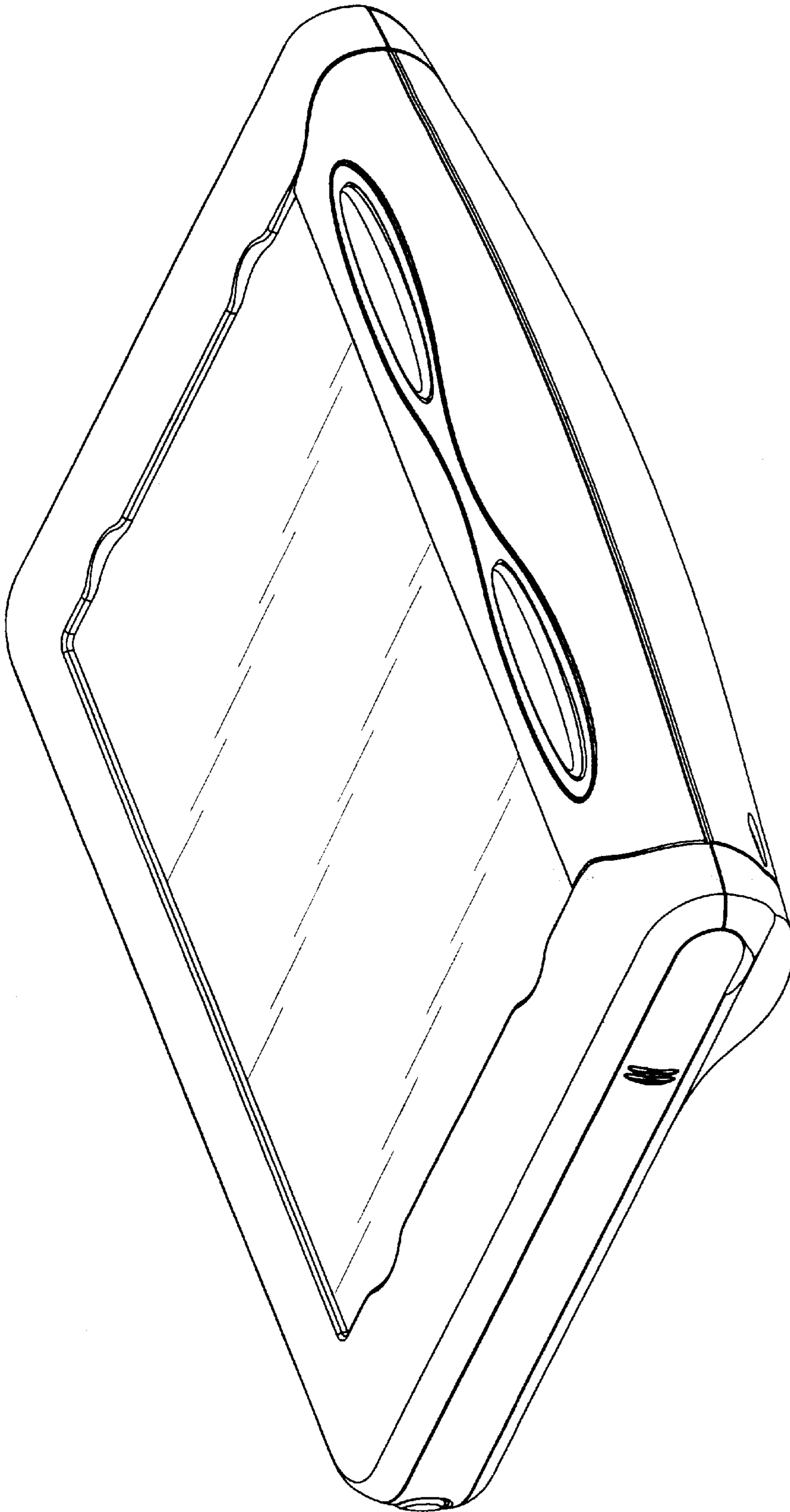


FIG. 8

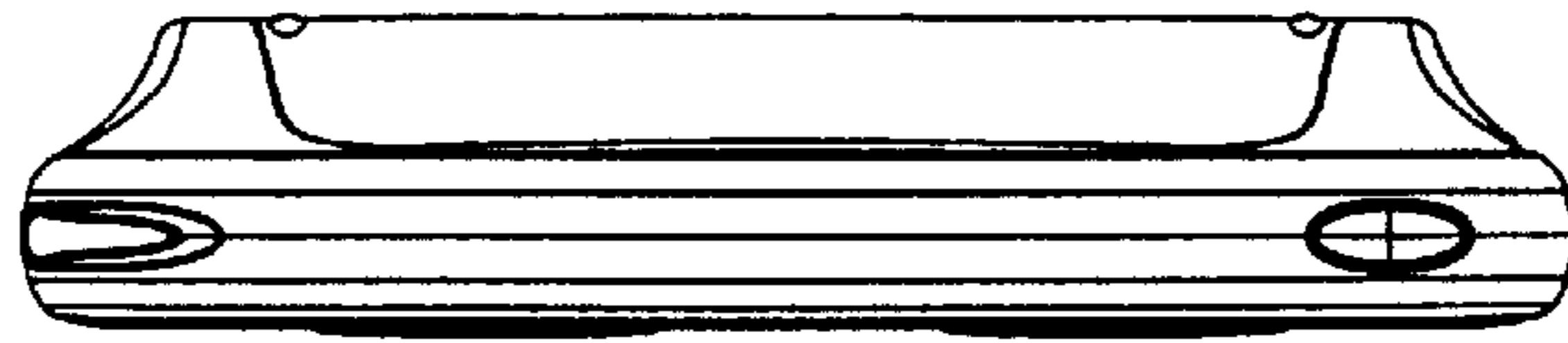


FIG. 10

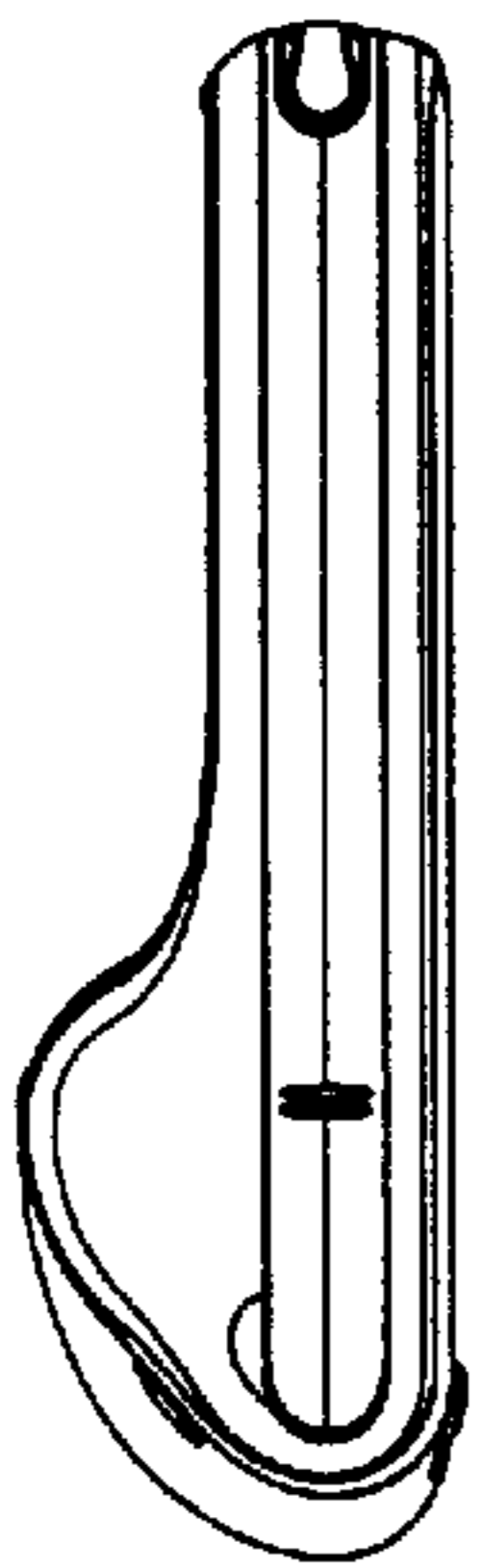


FIG. 13

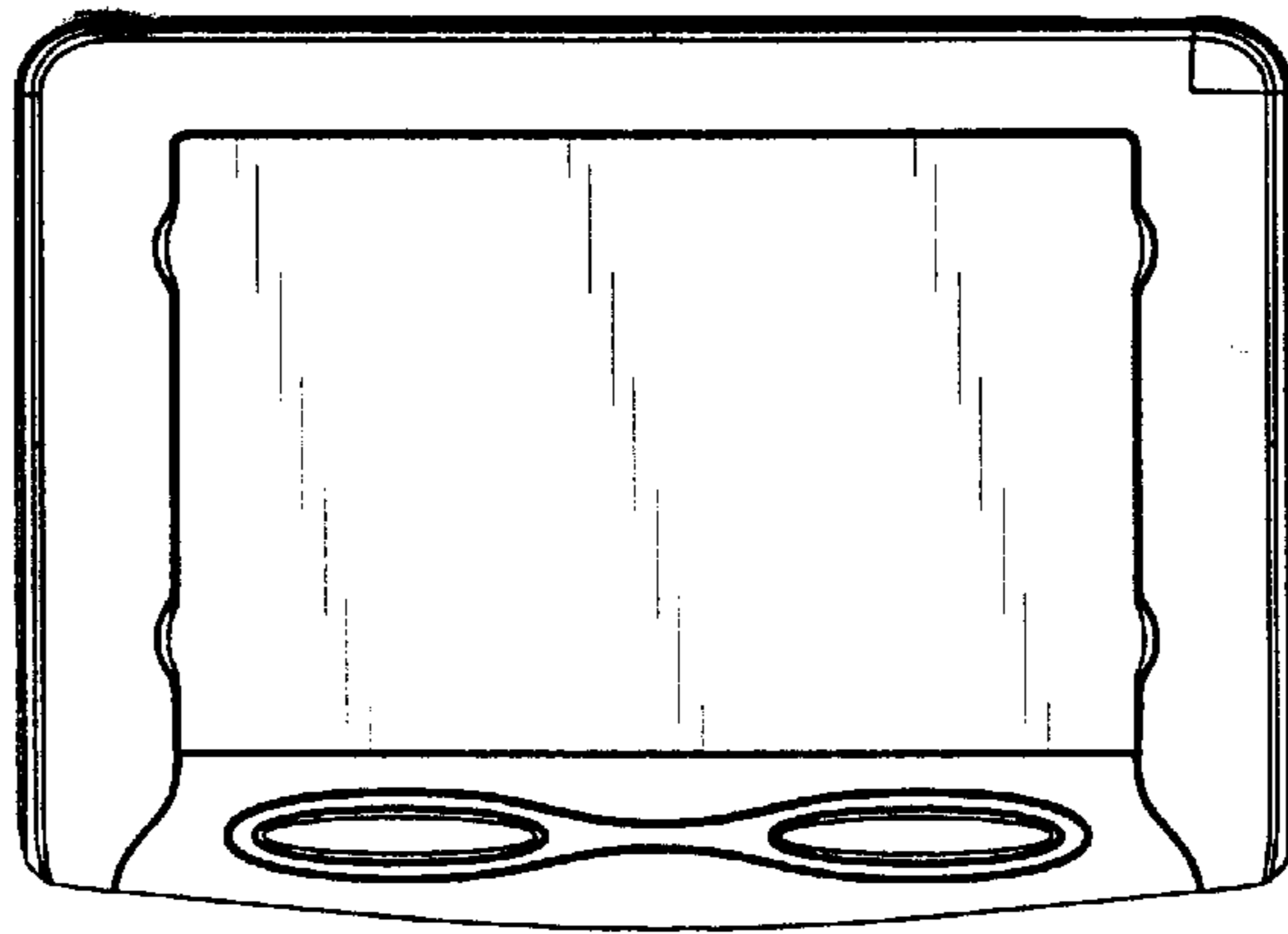


FIG. 9

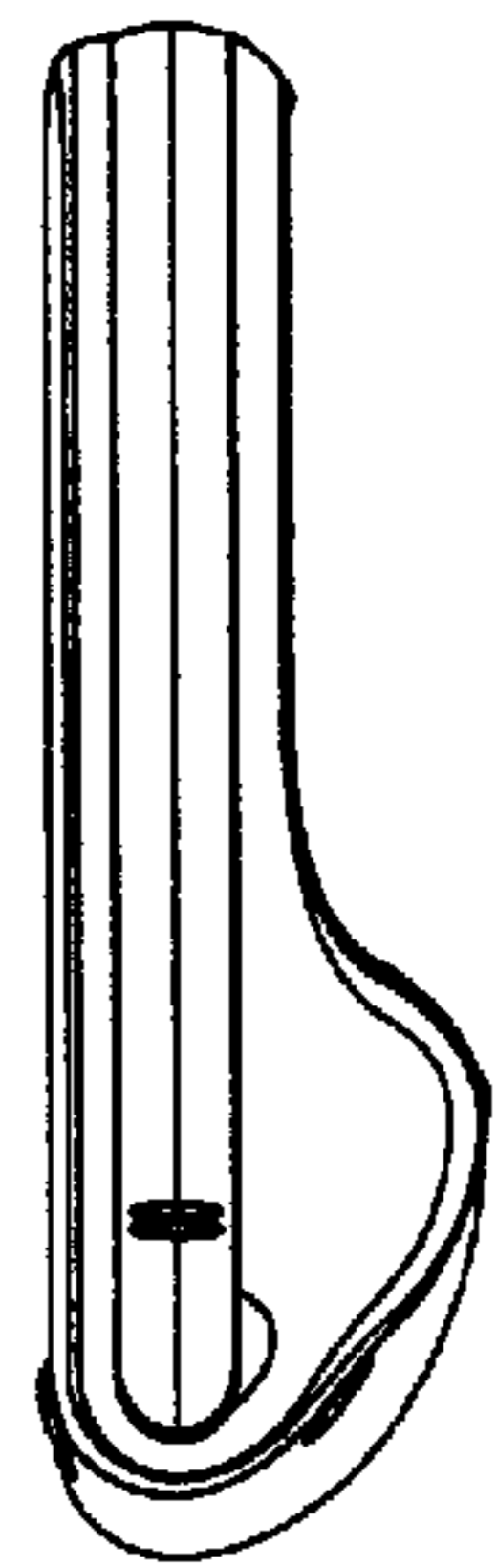


FIG. 12

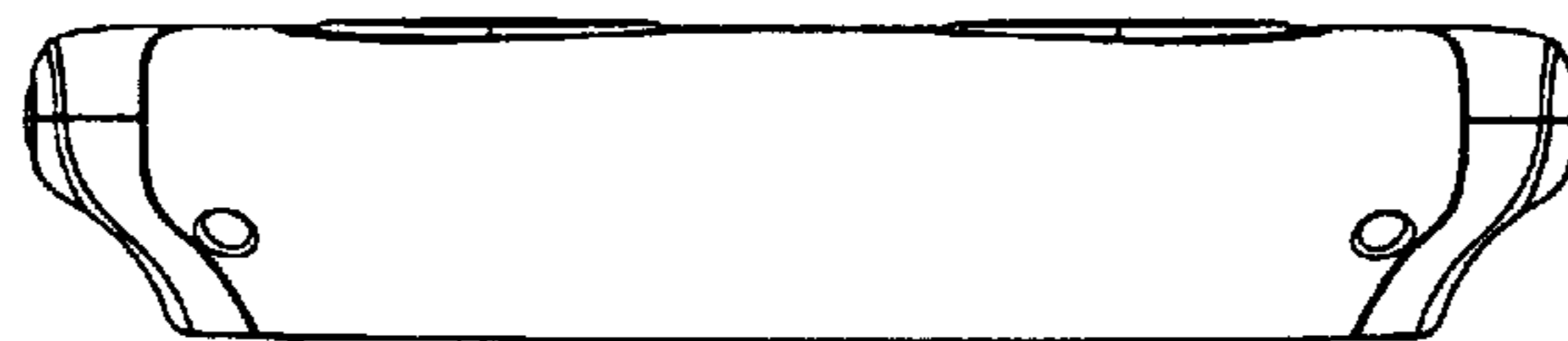


FIG. 11

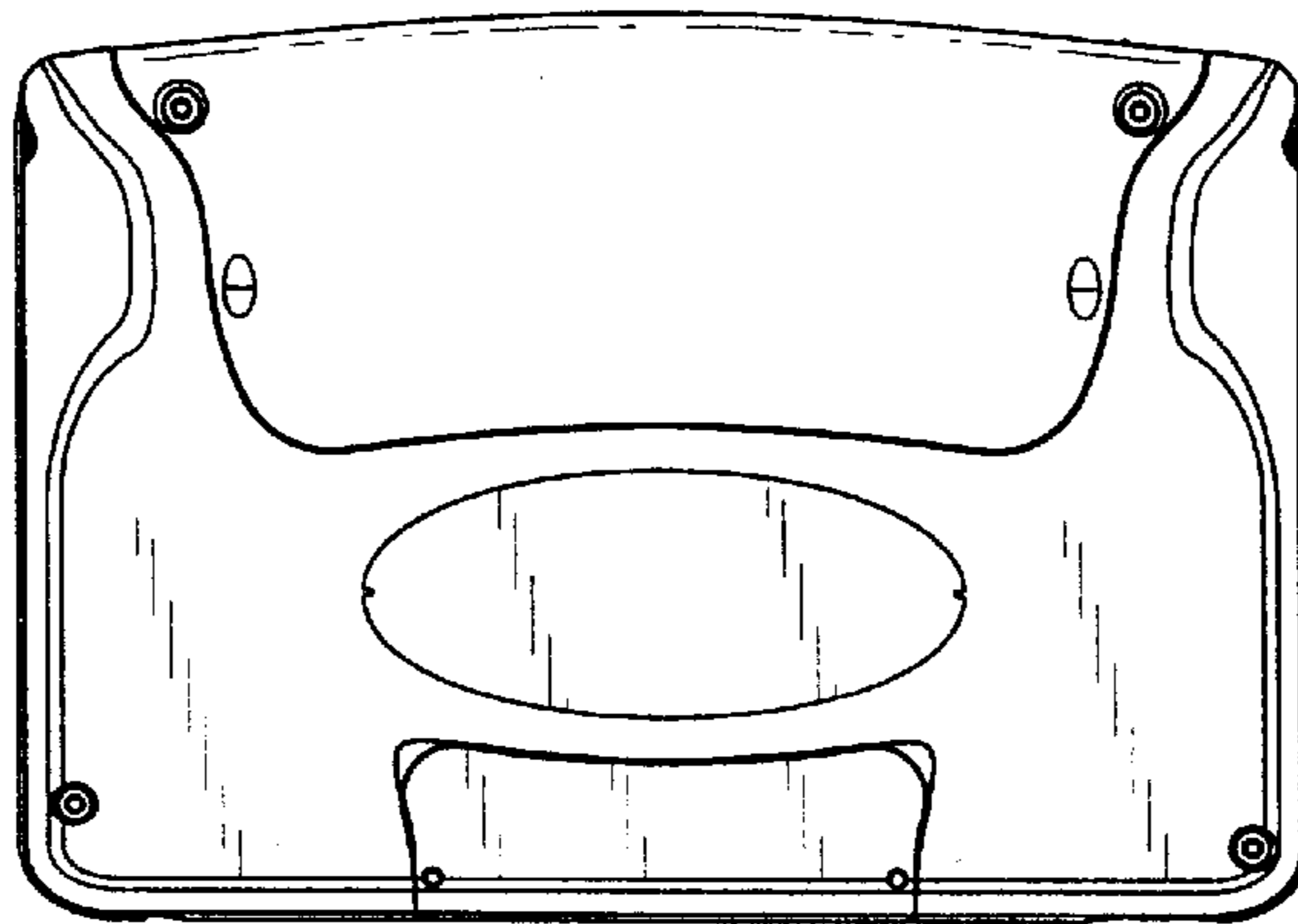


FIG. 14