



US00D483358S

(12) **United States Design Patent**  
**Hsu**

(10) **Patent No.:** **US D483,358 S**

(45) **Date of Patent:** **\*\* Dec. 9, 2003**

(54) **LAPTOP COMPUTER**

(75) Inventor: **Gary Hsu, Taipei Hsien (TW)**

(73) Assignee: **Silitek Corporation, Taipei (TW)**

(\*\*) Term: **14 Years**

(21) Appl. No.: **29/167,310**

(22) Filed: **Sep. 13, 2002**

(30) **Foreign Application Priority Data**

May 31, 2002 (TW) ..... 91302756

(51) **LOC (7) Cl.** ..... **14-02**

(52) **U.S. Cl.** ..... **D14/328**

(58) **Field of Search** ..... D14/315-328;  
D18/1, 2, 7; 235/145 A, 145 R; 341/22,  
23; 345/156, 168, 169, 172, 173; 349/12;  
361/680-686

(56) **References Cited**

**U.S. PATENT DOCUMENTS**

D426,817 S \* 6/2000 Sugano et al. .... D14/322  
D434,031 S \* 11/2000 Koike et al. .... D14/318  
D435,549 S \* 12/2000 Amano et al. .... D14/318

6,205,021 B1 \* 3/2001 Klein et al. .... 361/683  
D443,875 S \* 6/2001 Ma et al. .... D14/318  
D455,743 S \* 4/2002 Smith et al. .... D14/328

\* cited by examiner

*Primary Examiner*—Freda Nunn

(74) *Attorney, Agent, or Firm*—Birch, Stewart, Kolasch & Birch, LLP

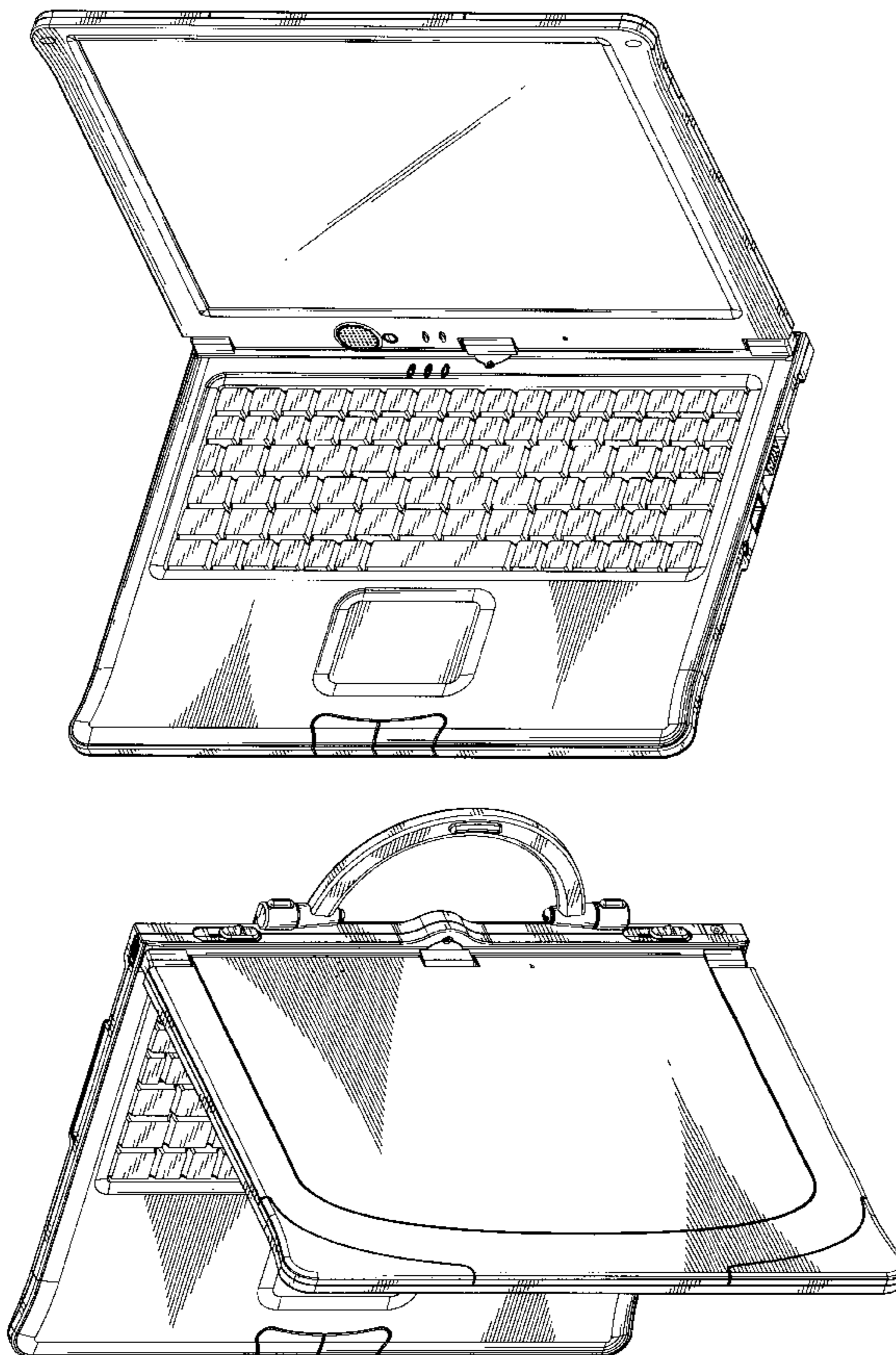
(57) **CLAIM**

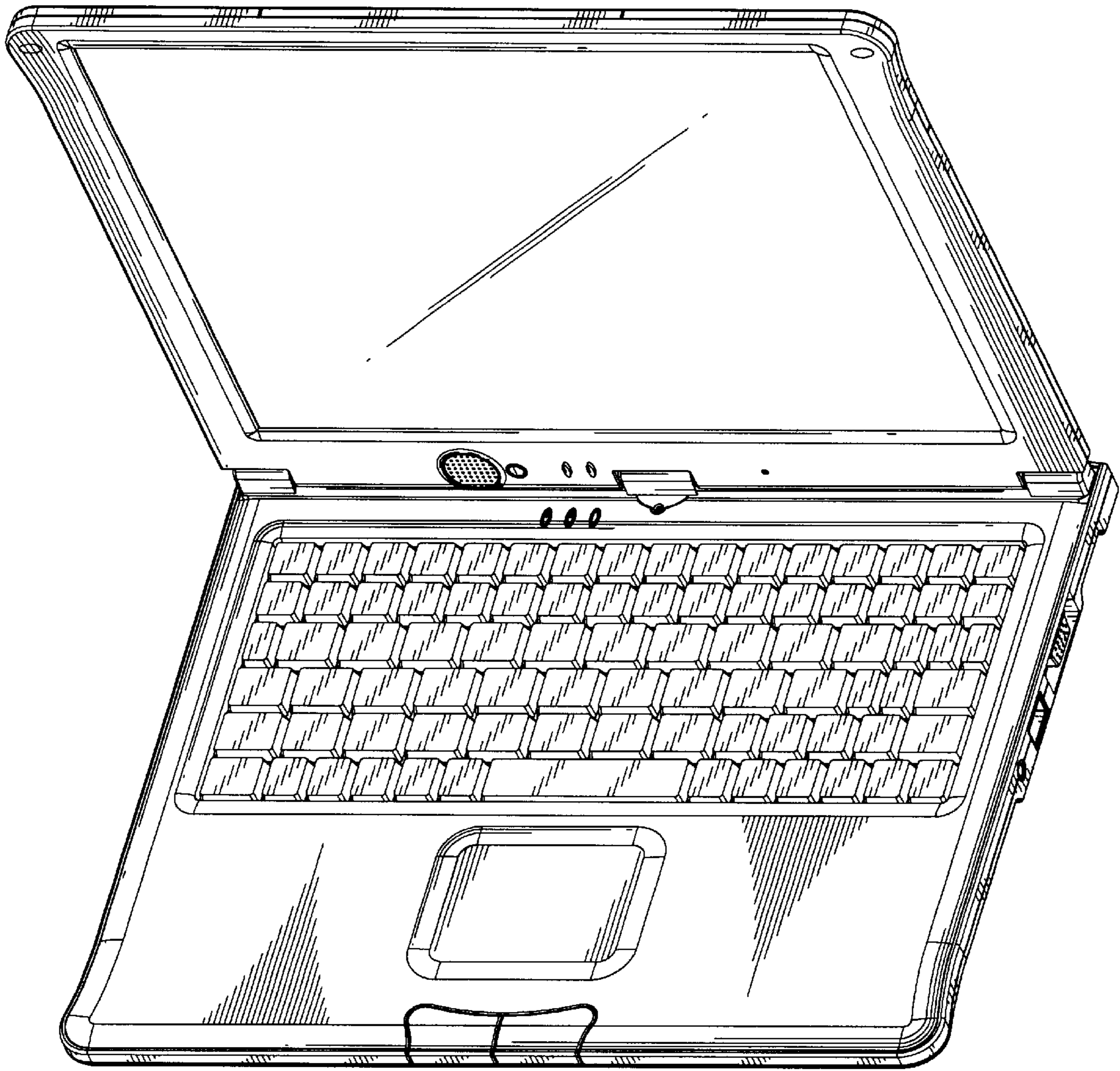
The ornamental design for a laptop computer, as shown and described.

**DESCRIPTION**

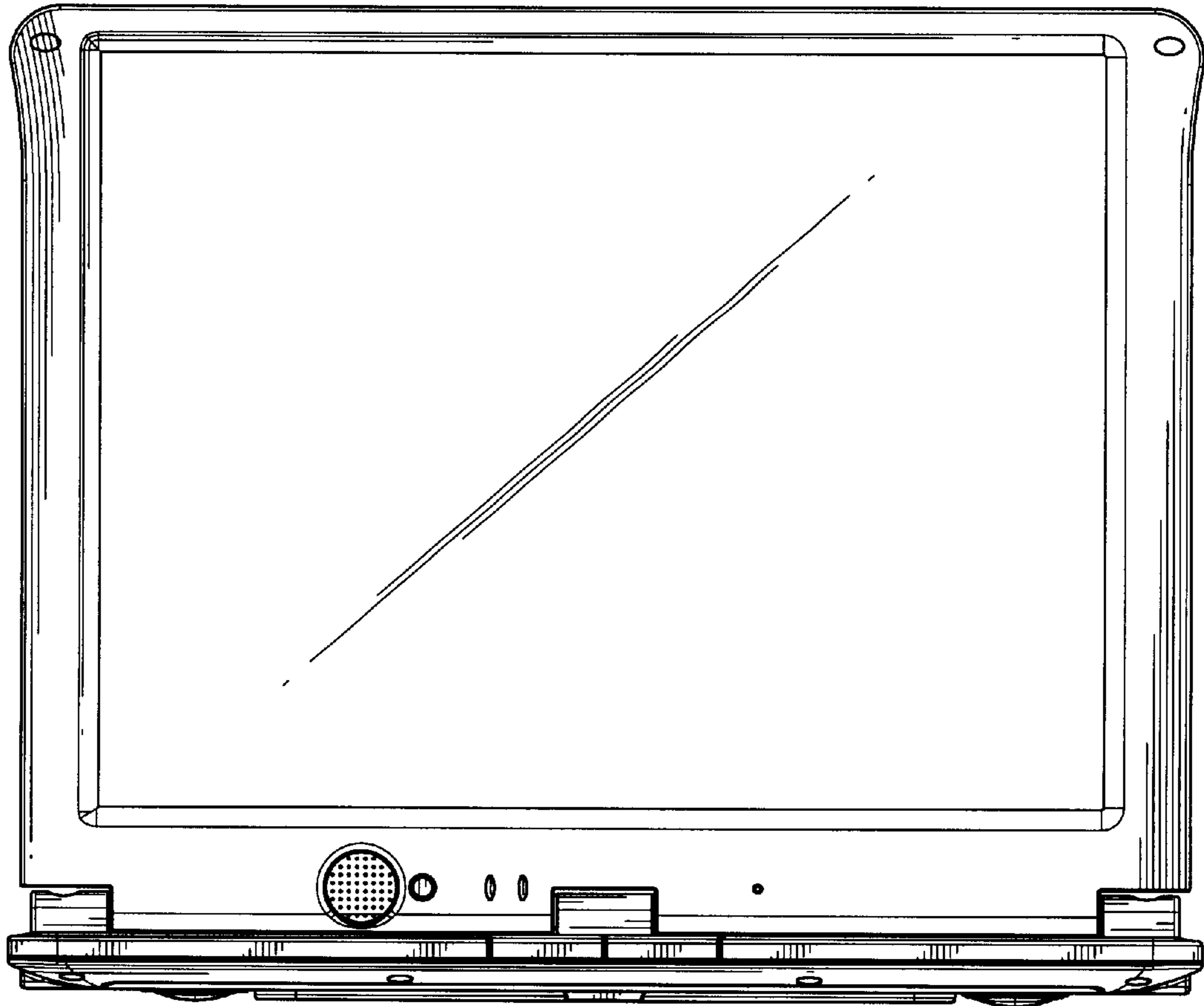
FIG. 1 is a perspective view of a laptop computer showing my new design;  
FIG. 2 is a front view thereof;  
FIG. 3 is a rear view thereof;  
FIG. 4 is a left side view thereof;  
FIG. 5 is a right side view thereof;  
FIG. 6 is a top view thereof;  
FIG. 7 is a bottom view thereof; and,  
FIG. 8 is a perspective view showing the practical usage thereof.

**1 Claim, 8 Drawing Sheets**

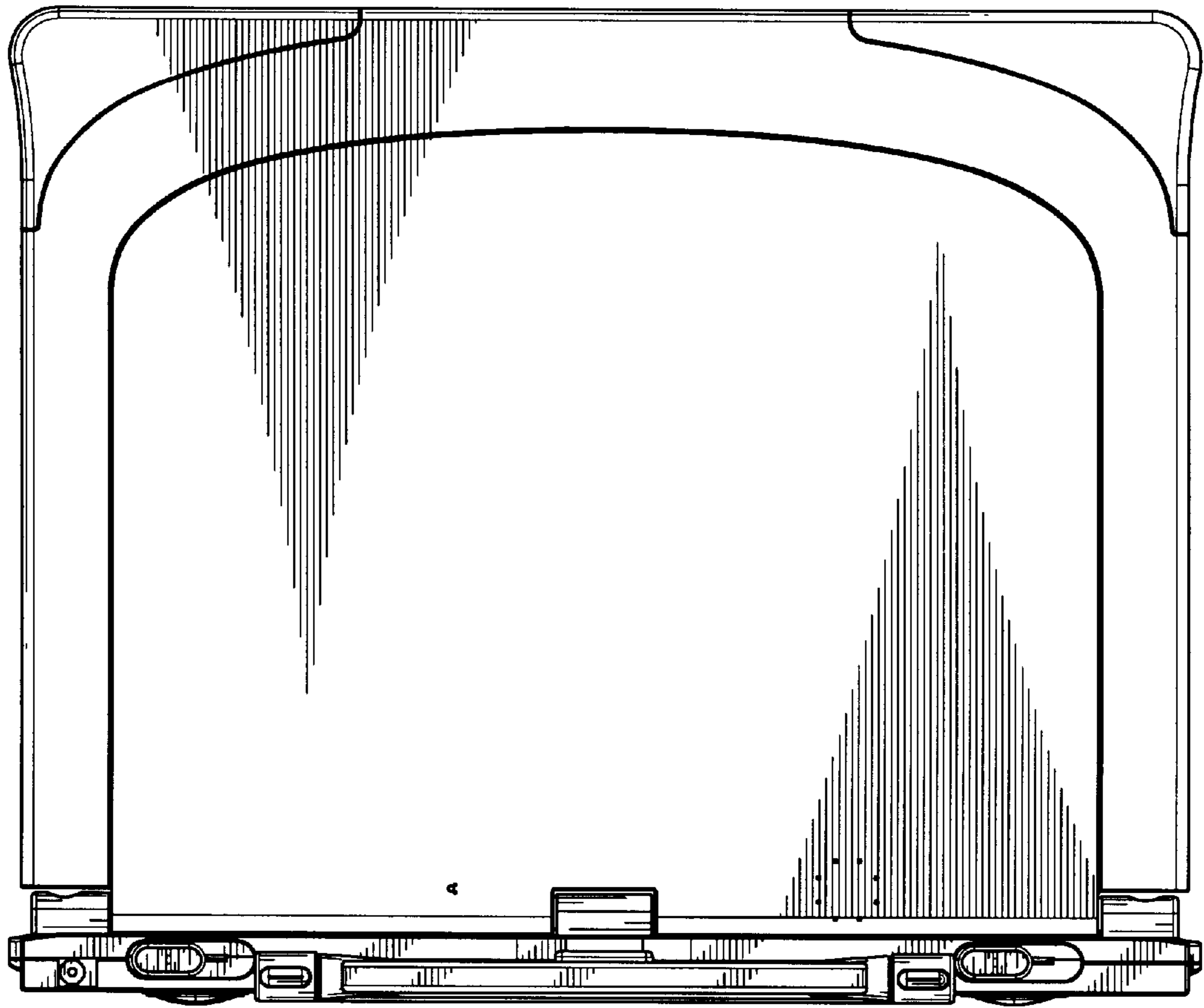




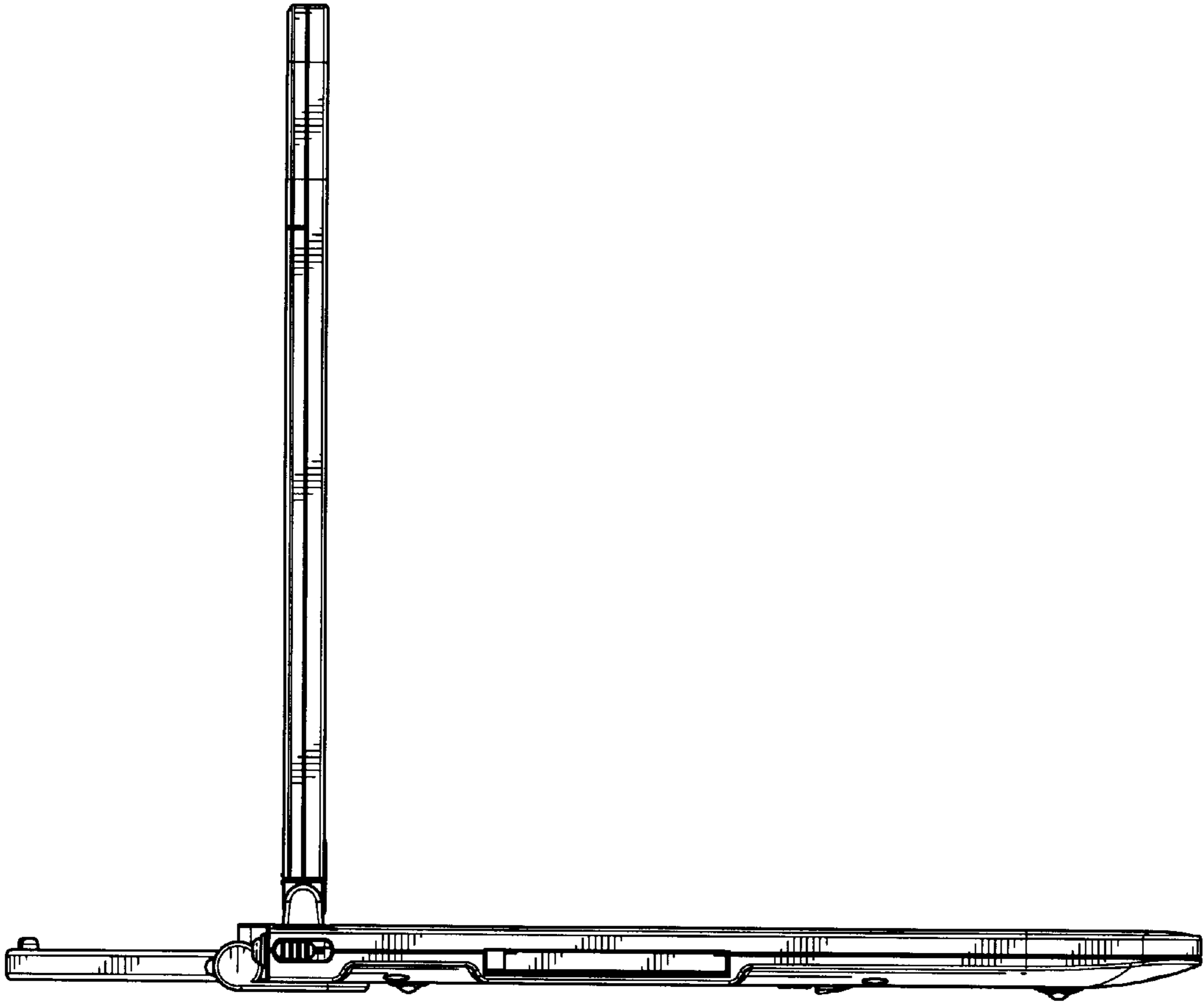
**FIG. 1**



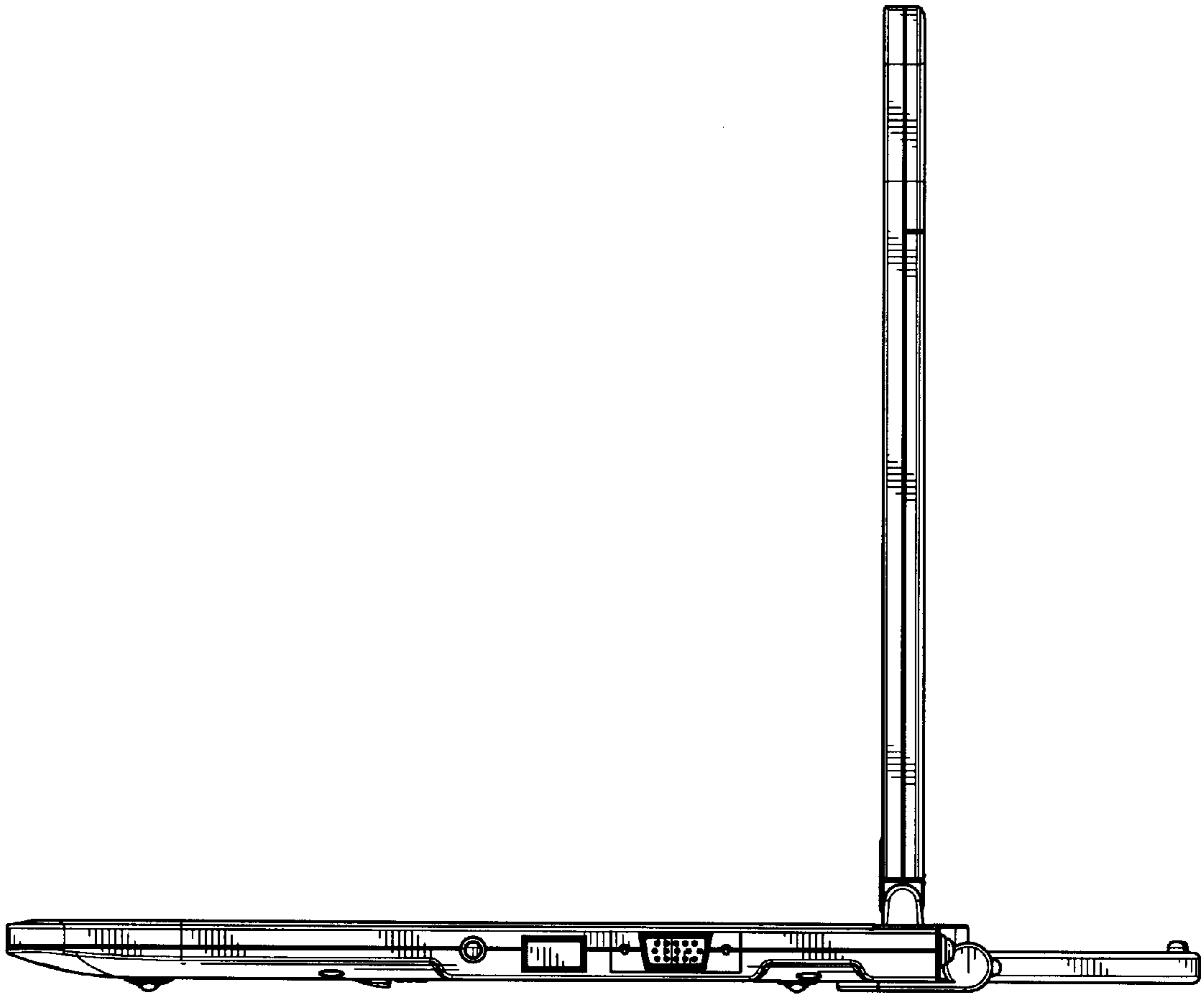
**FIG. 2**



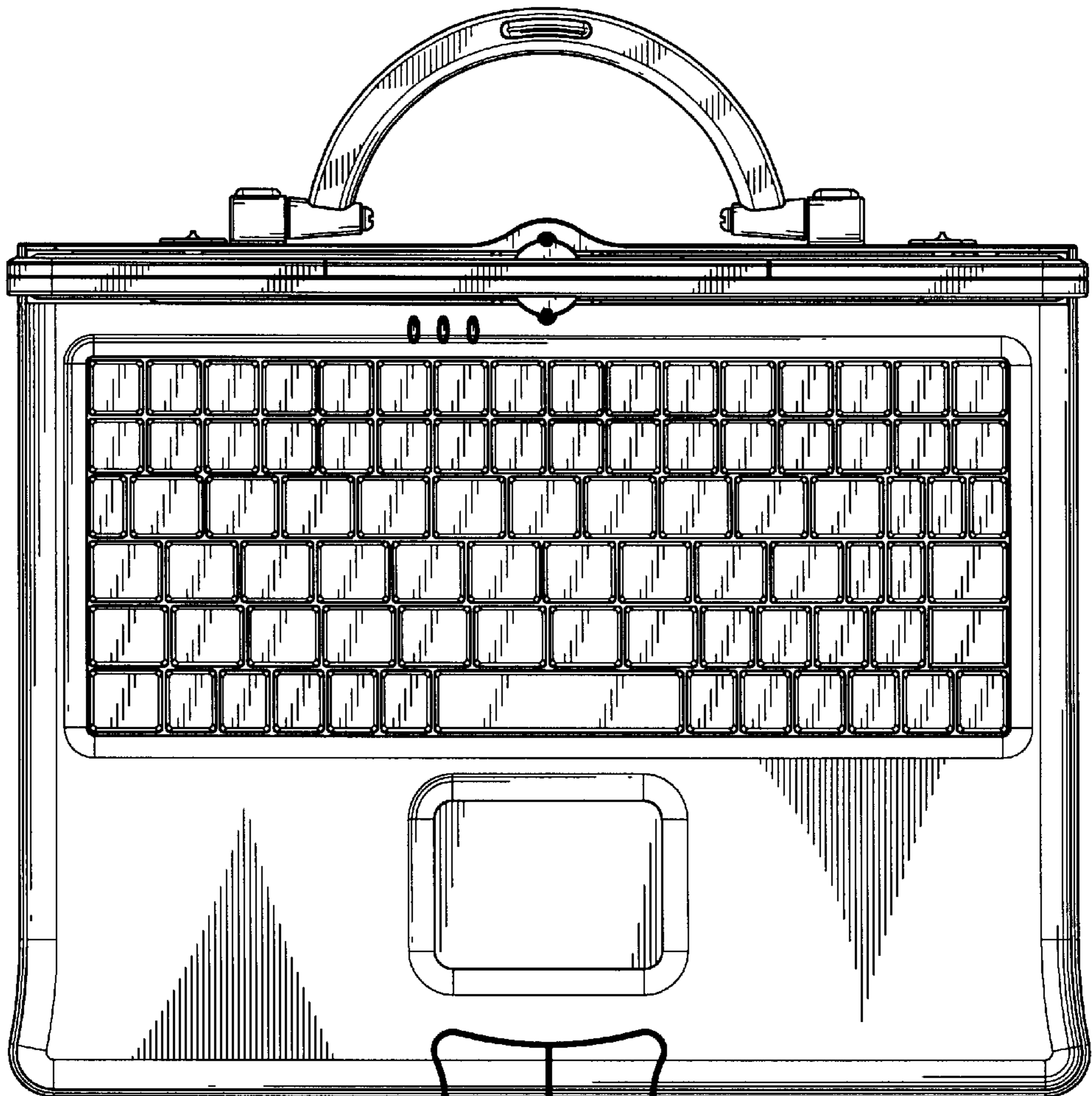
**FIG. 3**



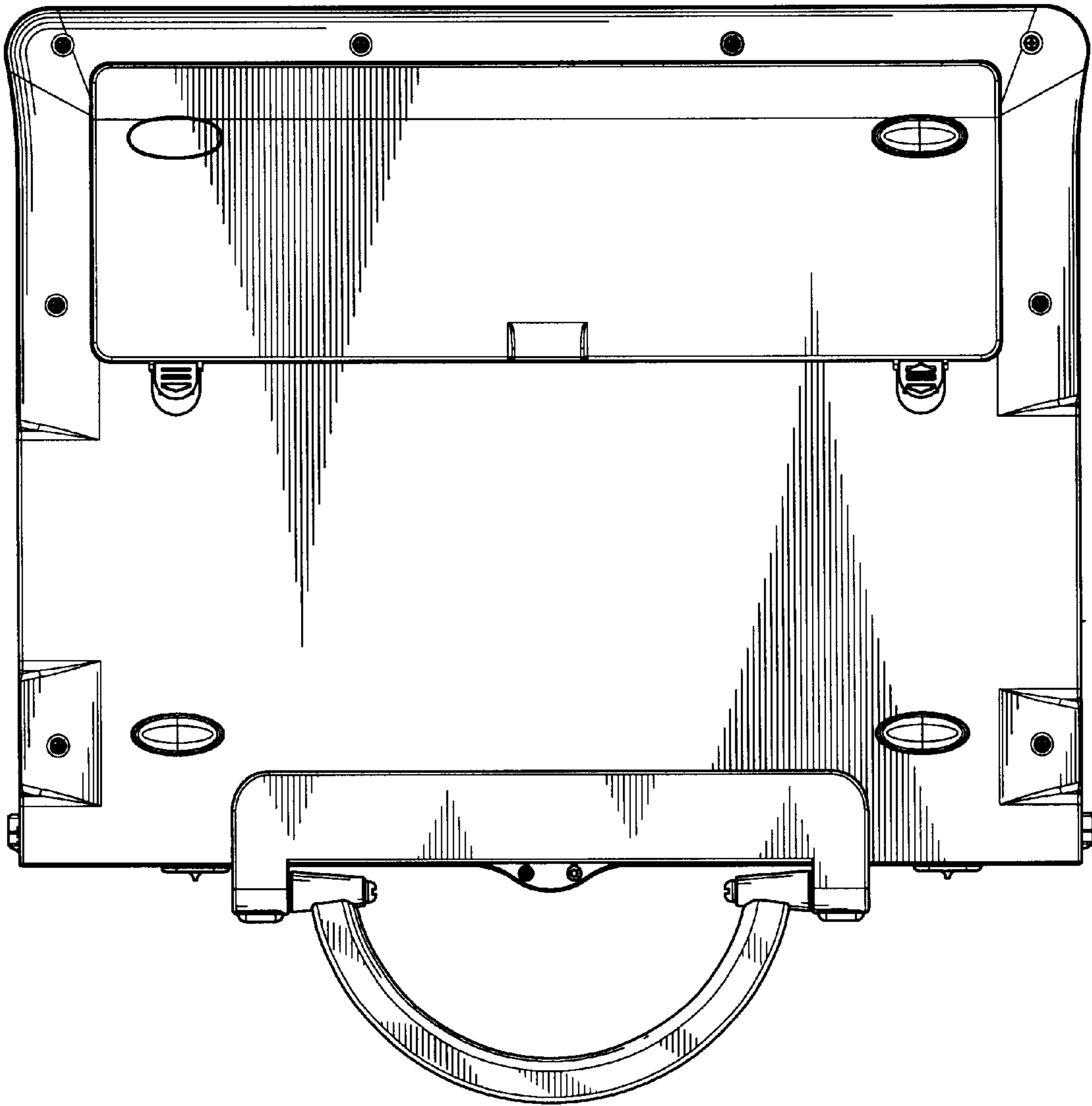
**FIG. 4**



**FIG. 5**

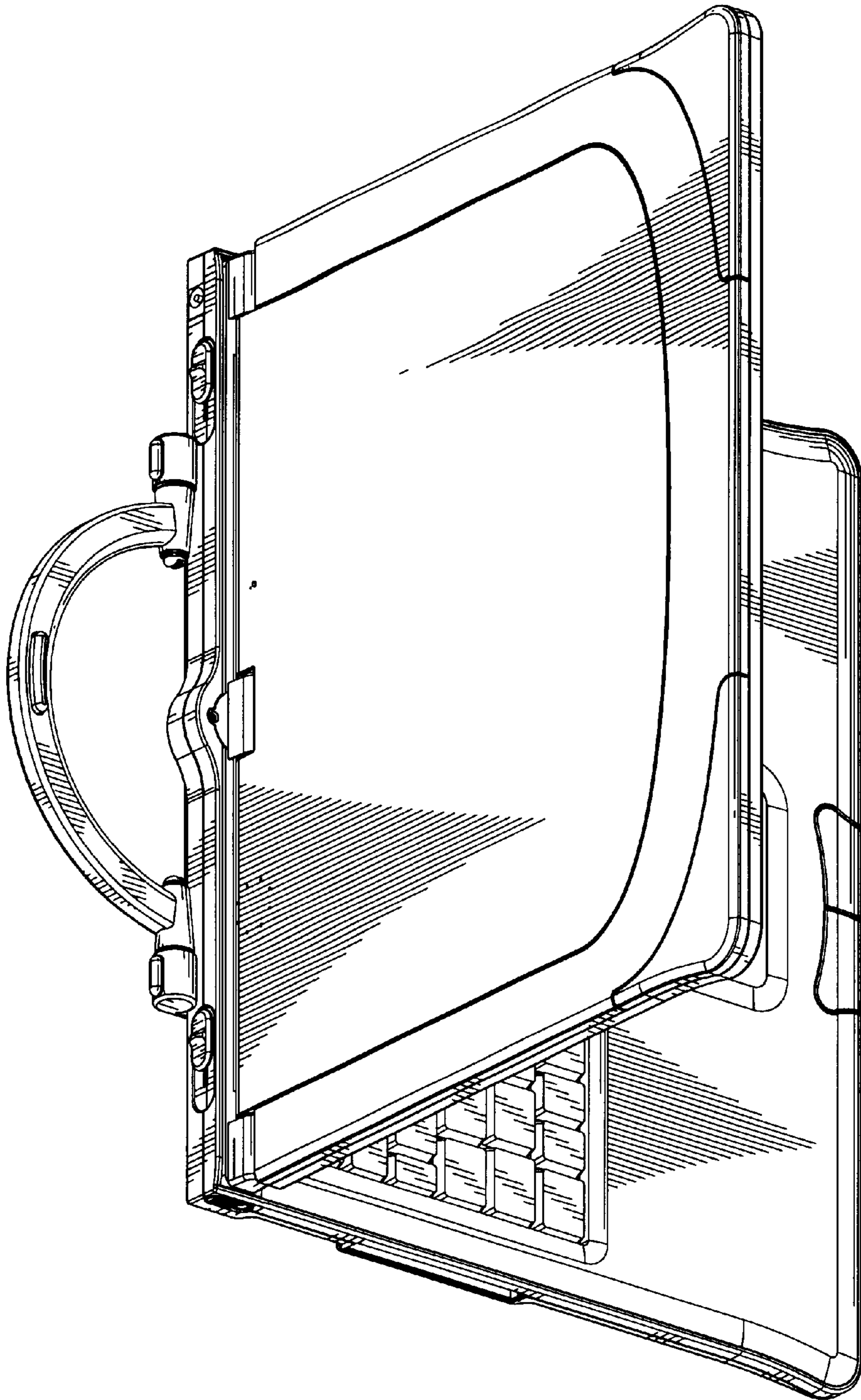


**FIG. 6**



**FIG. 7**





**FIG. 8**