



US00D483356S

(12) **United States Design Patent**  
**Kobayashi**

(10) **Patent No.:** **US D483,356 S**

(45) **Date of Patent:** **\*\* Dec. 9, 2003**

(54) **PORTABLE COMPUTER**

(75) Inventor: **Miki Kobayashi**, Takatsuki (JP)

(73) Assignee: **Matsushita Electric Industrial Co., Ltd.**, Osaka (JP)

(\*\*) Term: **14 Years**

(21) Appl. No.: **29/176,181**

(22) Filed: **Feb. 18, 2003**

(30) **Foreign Application Priority Data**

Aug. 26, 2002 (JP) ..... 2002-022729

(51) **LOC (7) Cl.** ..... **14-02**

(52) **U.S. Cl.** ..... **D14/318**

(58) **Field of Search** ..... D14/315-327;  
D18/1, 2, 7; 235/145 A, 145 R; 341/22,  
23; 345/104, 156, 168, 169, 173; 361/680-686

(56) **References Cited**

**U.S. PATENT DOCUMENTS**

- D426,817 S \* 6/2000 Sugano et al. .... D14/322
- D434,031 S \* 11/2000 Koike et al. .... D14/318
- D435,549 S \* 12/2000 Amano et al. .... D14/318
- 6,205,021 B1 \* 3/2001 Klein et al. .... 361/683
- D443,875 S \* 6/2001 Ma et al. .... D14/318

**OTHER PUBLICATIONS**

Copy of catalog published by Panasonic in Nov., 1999.  
Copy of Magazine published by Nikkei BP in Apr., 2002.

\* cited by examiner

*Primary Examiner*—Freda Nunn

(74) *Attorney, Agent, or Firm*—Brinks Hofer Gilson & Lione

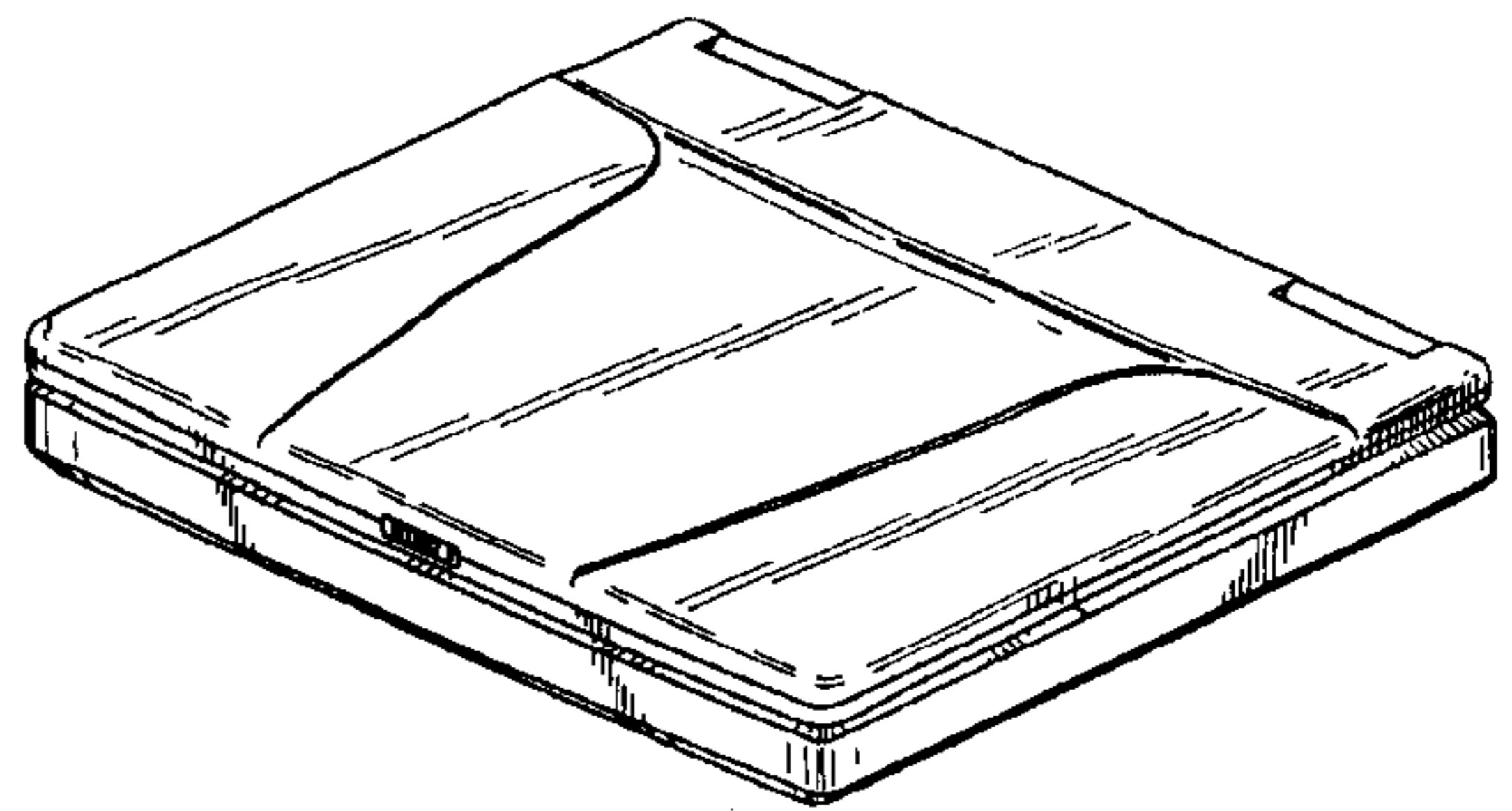
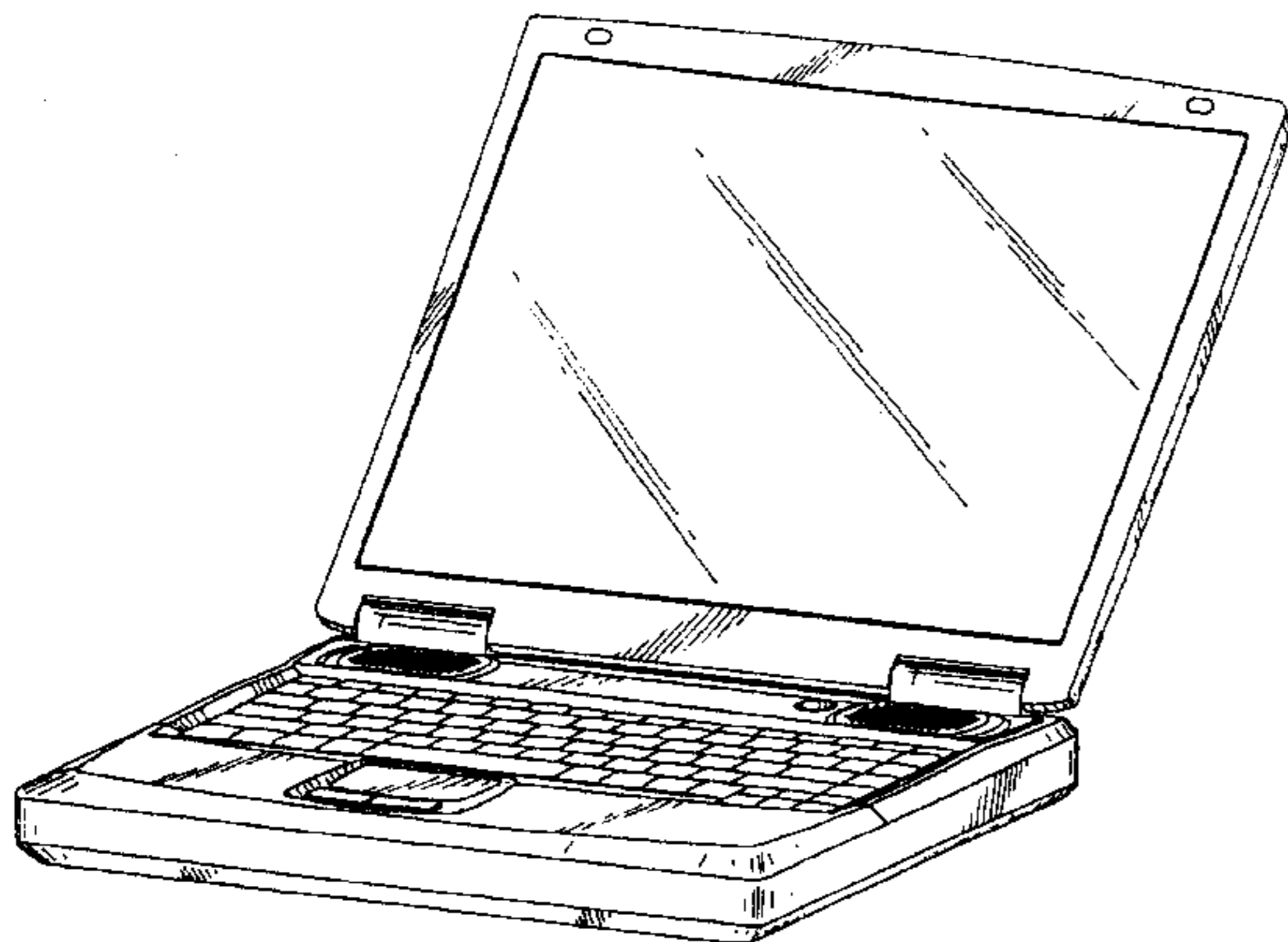
(57) **CLAIM**

The ornamental design for a portable computer, as shown and described.

**DESCRIPTION**

FIG. 1 is a top perspective view of a portable computer of the present invention;  
FIG. 2 is a front view thereof;  
FIG. 3 is a rear view thereof;  
FIG. 4 is a first side view thereof;  
FIG. 5 is a second side view thereof;  
FIG. 6 is a top view thereof;  
FIG. 7 is a bottom view thereof; and,  
FIG. 8 is a top perspective view thereof in which the viewing display is in a closed position.

**1 Claim, 4 Drawing Sheets**



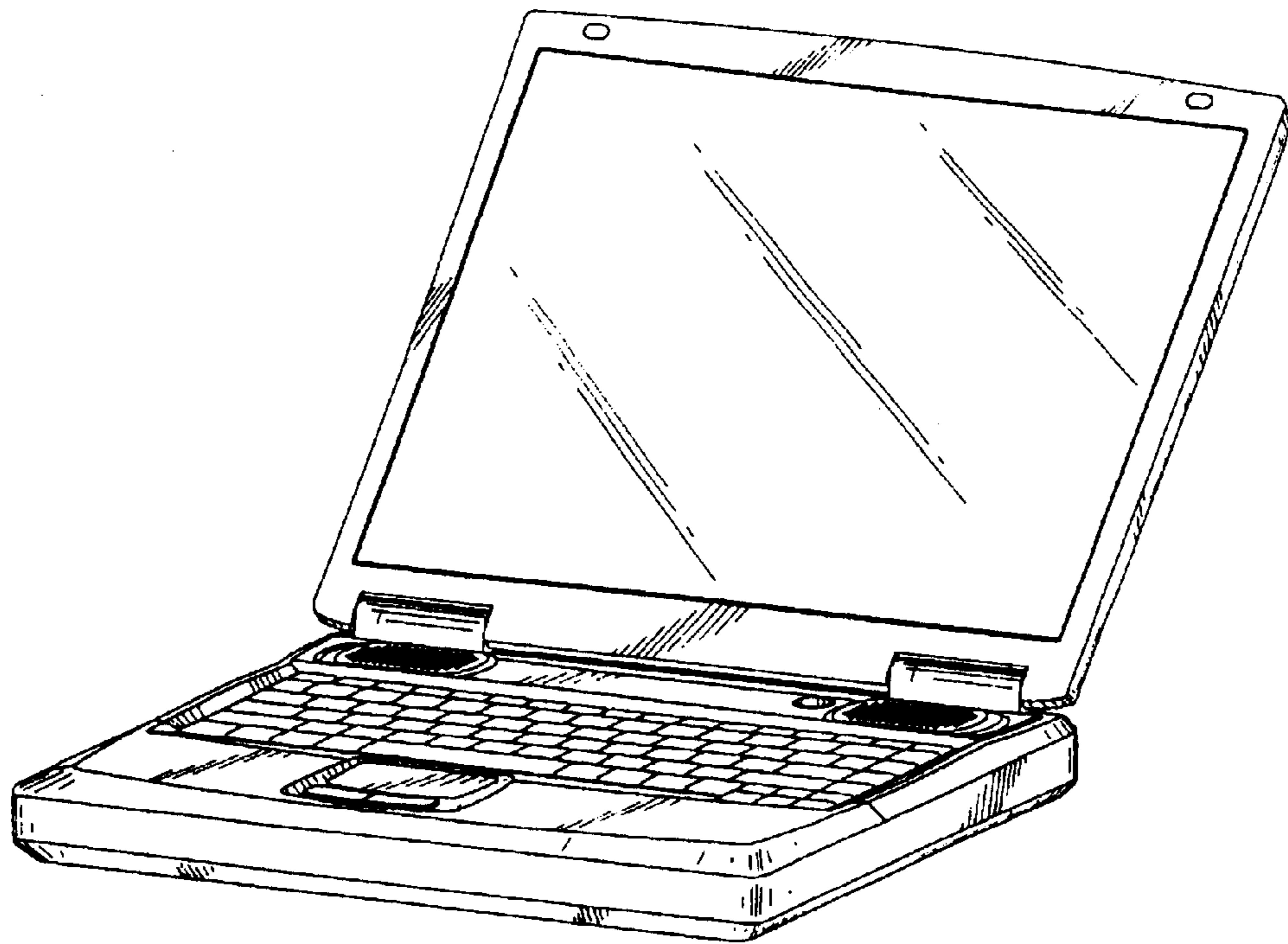


FIG. 1

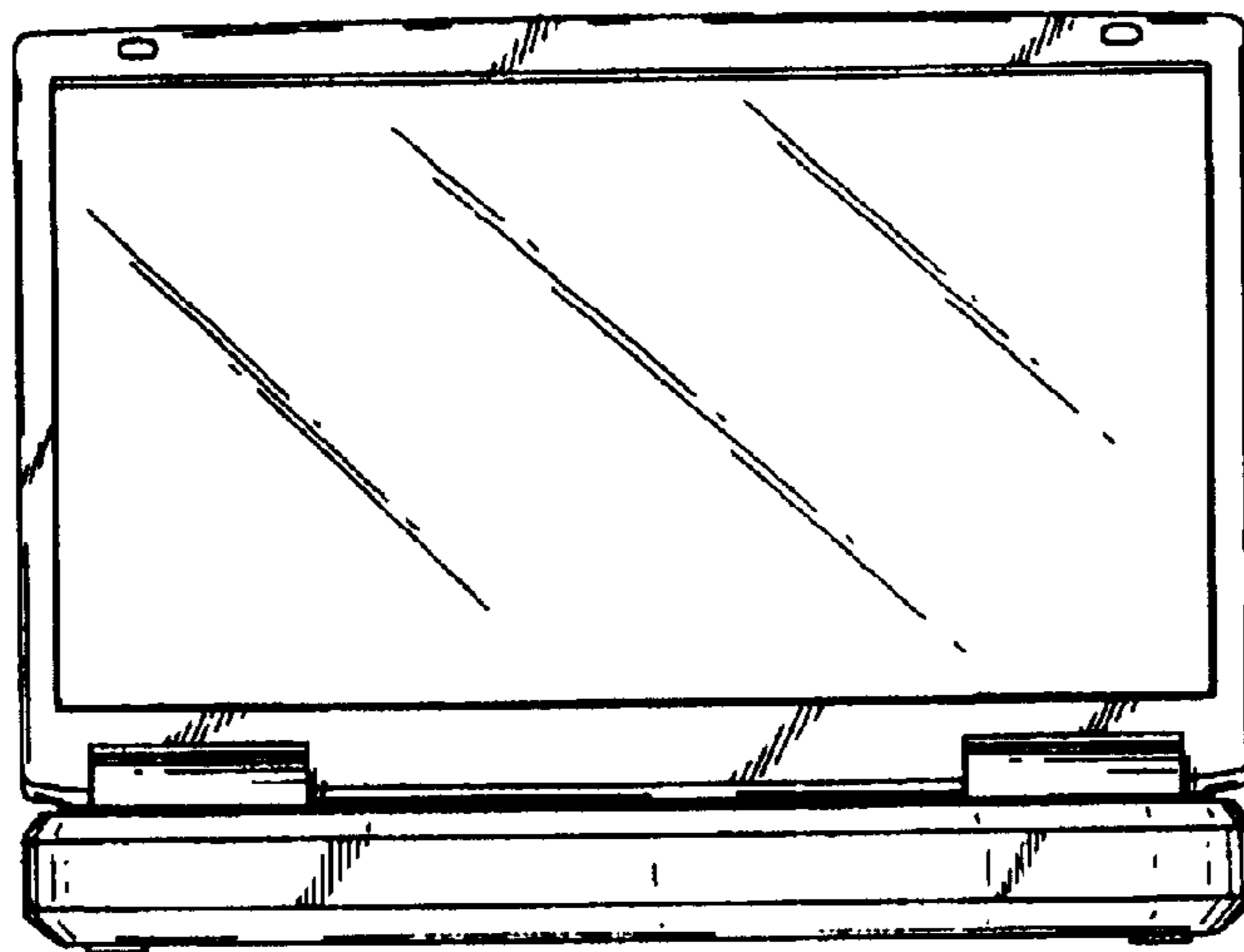


FIG. 2

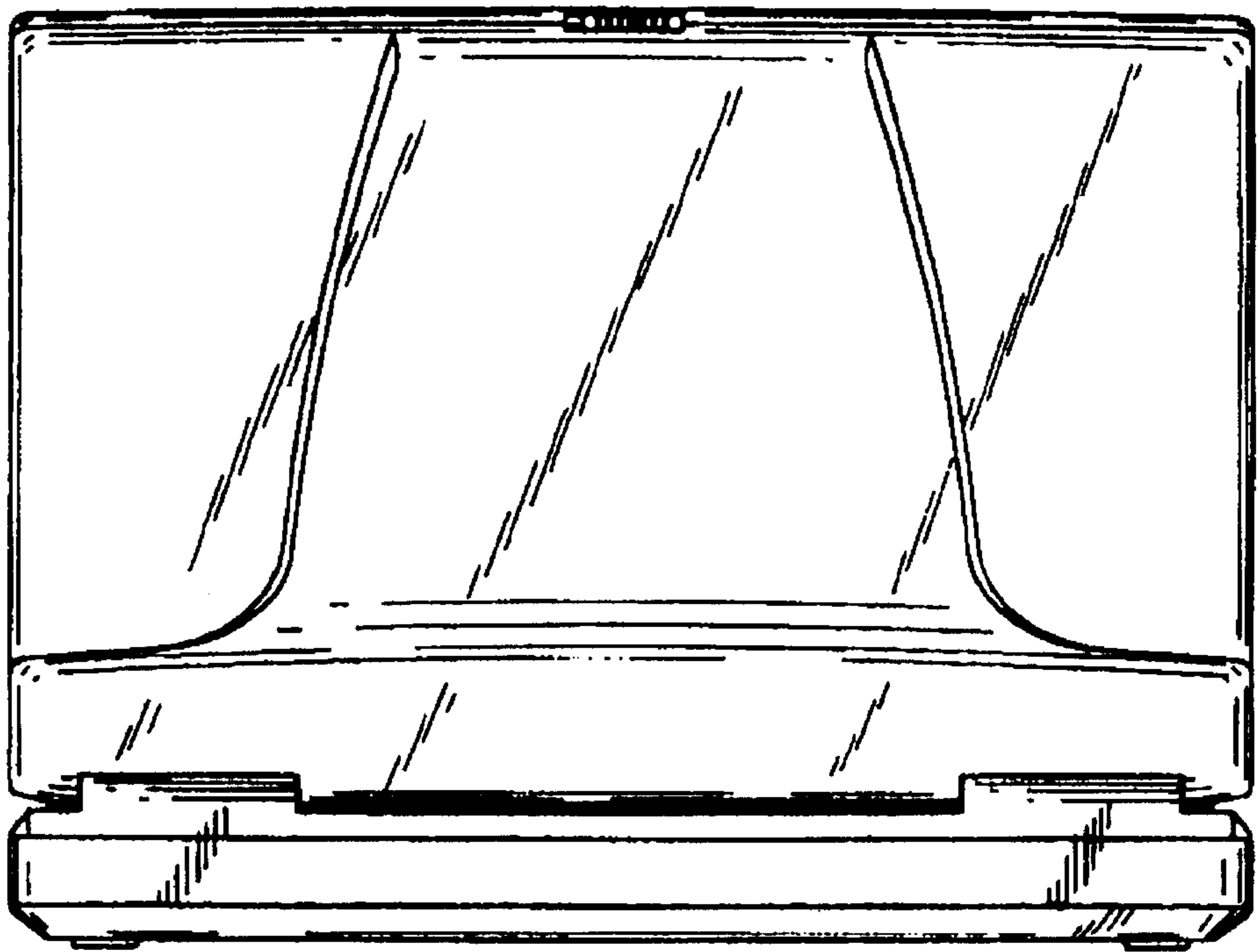


FIG. 3

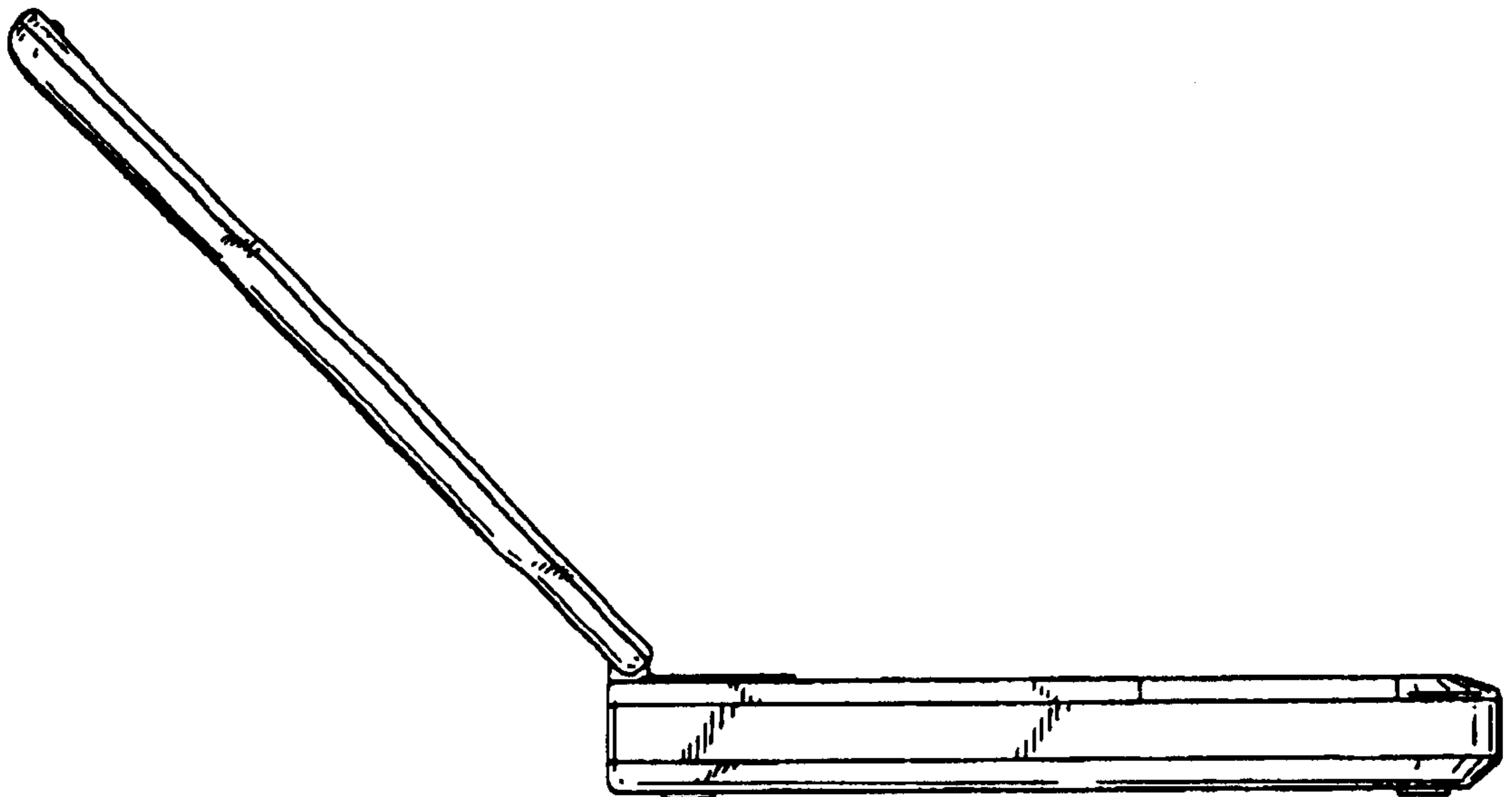


FIG. 4

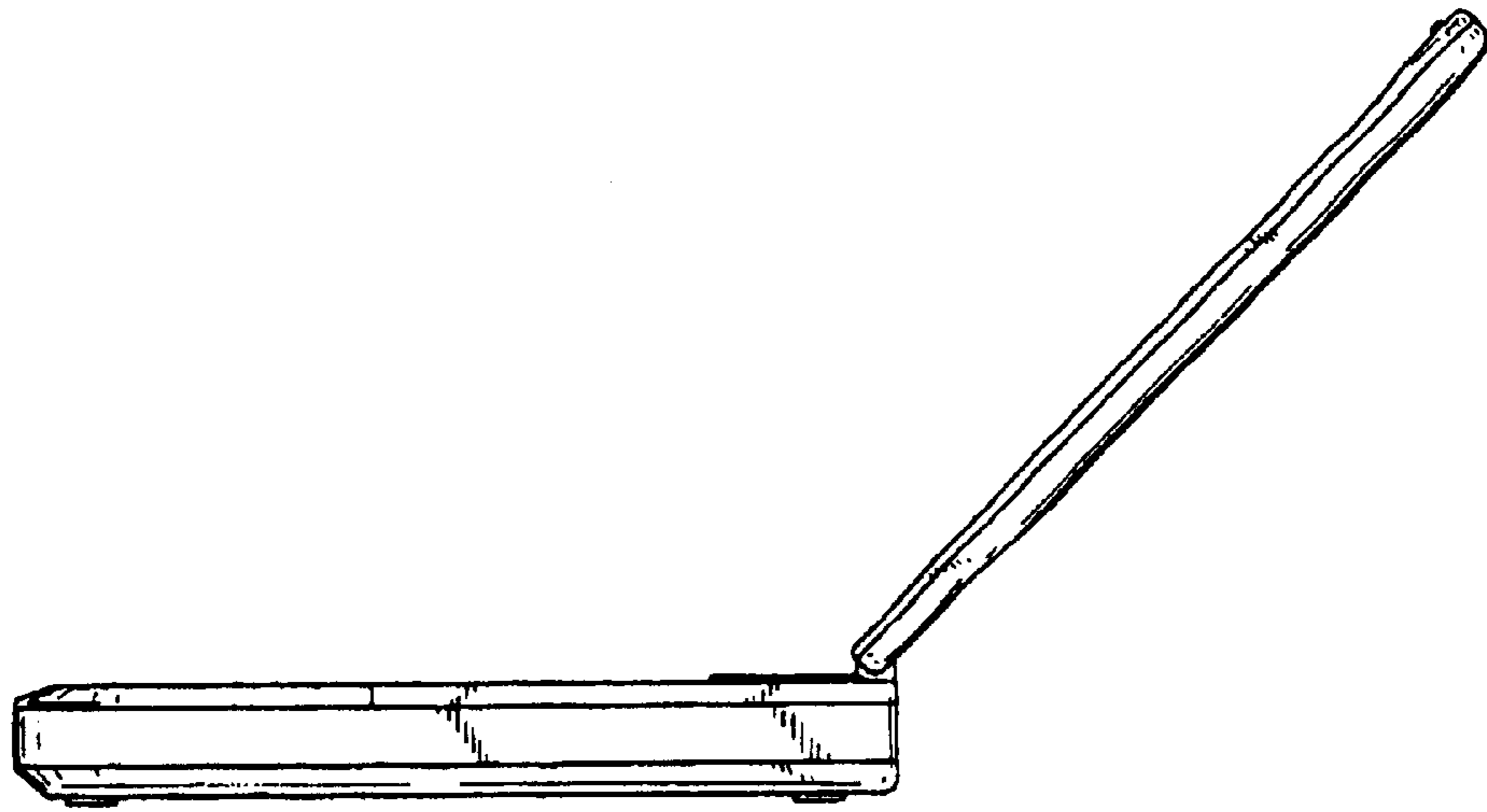


FIG. 5

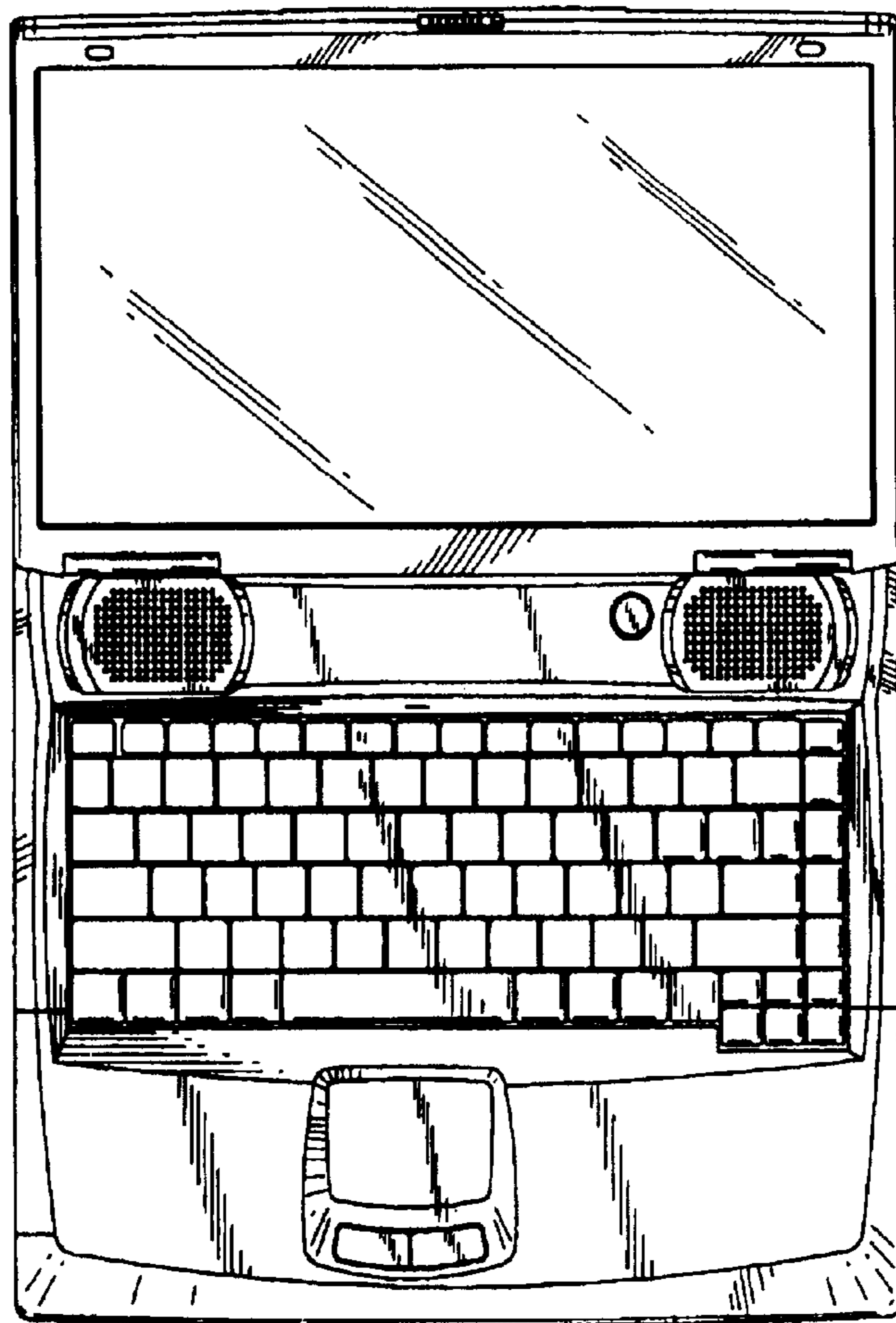


FIG. 6

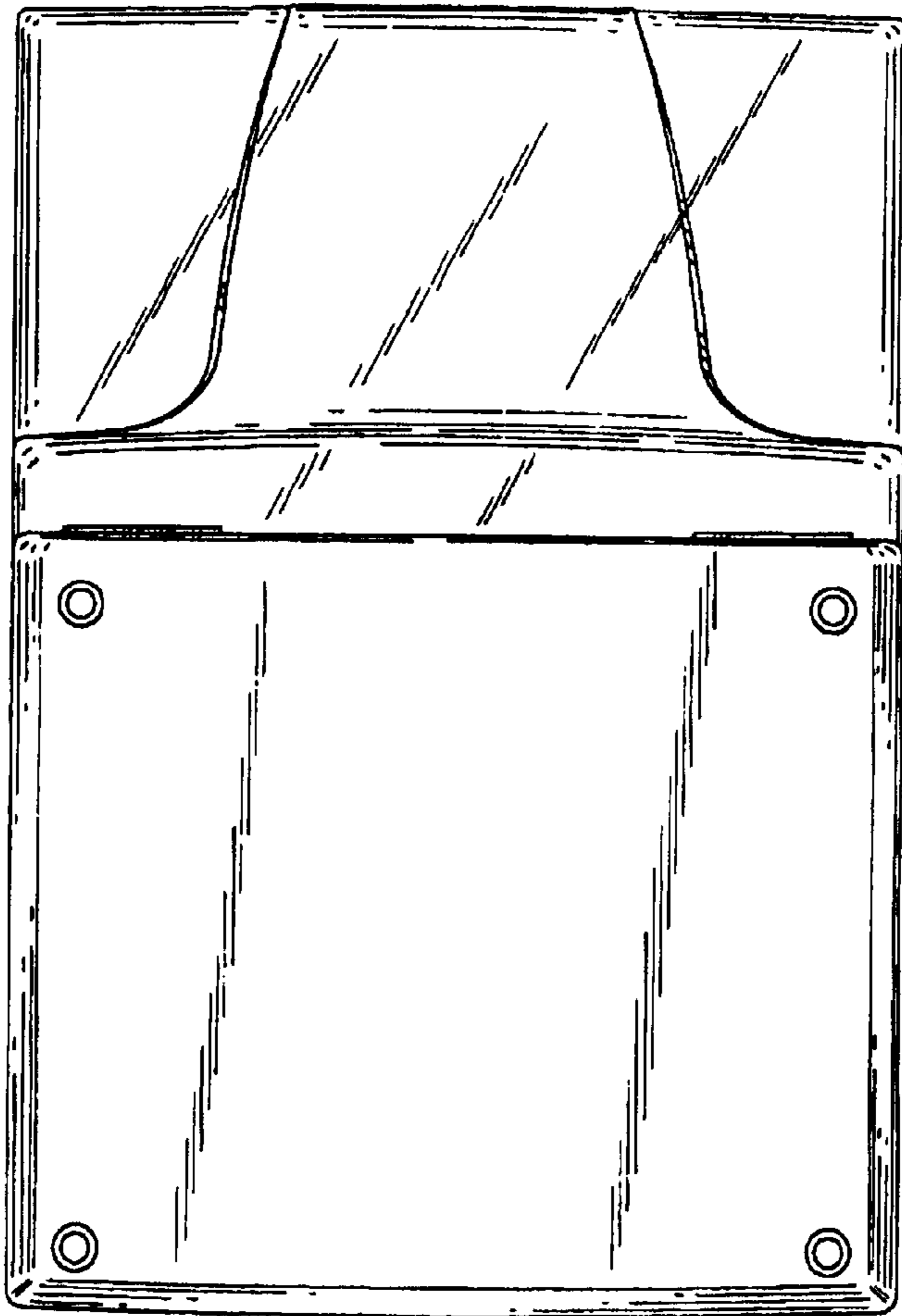


FIG. 7

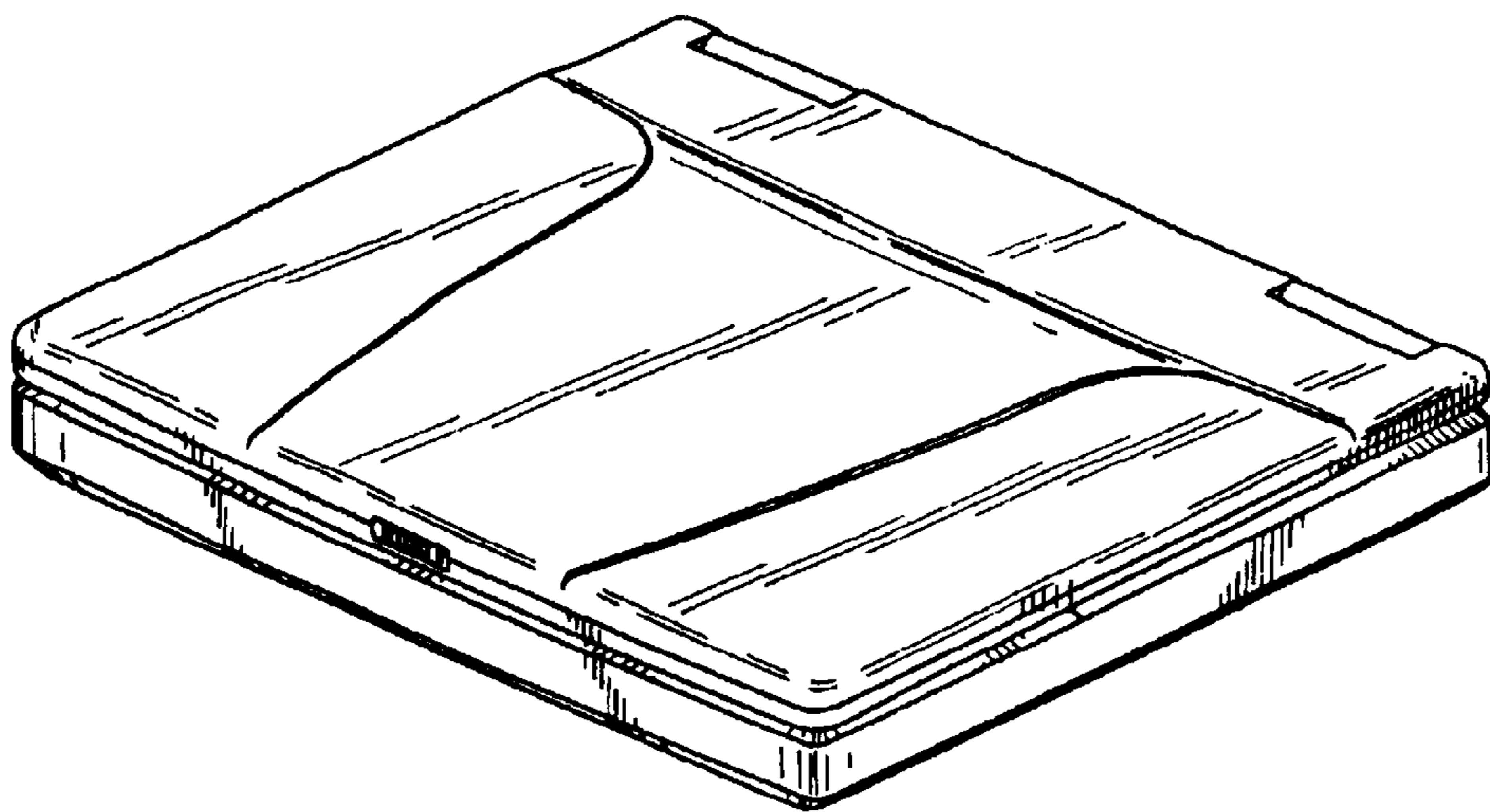


FIG. 8