



US00D483355S

(12) **United States Design Patent**  
**Kawa**

(10) **Patent No.:** **US D483,355 S**

(45) **Date of Patent:** **\*\* Dec. 9, 2003**

(54) **NOTEBOOK COMPUTER**

(75) Inventor: **Mitsuo Kawa**, Nara-ken (JP)

(73) Assignee: **Sharp Kabushiki Kaisha**, Osaka (JP)

(\*\*) Term: **14 Years**

(21) Appl. No.: **29/170,551**

(22) Filed: **Nov. 8, 2002**

(30) **Foreign Application Priority Data**

May 10, 2002 (JP) ..... 2002-012357

(51) **LOC (7) Cl.** ..... **14-02**

(52) **U.S. Cl.** ..... **D14/318**

(58) **Field of Search** ..... D14/315-327;  
D18/1, 2, 7; 235/145 A, 145 R; 341/22,  
23; 345/104, 156, 168, 169, 173; 361/680-686

(56) **References Cited**

**U.S. PATENT DOCUMENTS**

D330,016 S	10/1992	Mizusugi et al.
D334,182 S	3/1993	Mizusugi et al.
D335,124 S	4/1993	Mizusugi et al.
D338,880 S	8/1993	Mizusugi et al.
D339,114 S	9/1993	Mizusugi et al.
D340,920 S	11/1993	Okuda et al.
D340,921 S	11/1993	Mizusugi et al.
D343,167 S	1/1994	Mizusugi et al.
D344,496 S	2/1994	Mizusugi et al.
D357,674 S	4/1995	Mizusugi
D384,043 S	9/1997	Tamaki
D385,856 S	11/1997	Kawa
D398,904 S	9/1998	Tamaki et al.
D405,434 S	2/1999	Mizuno
D411,181 S	6/1999	Tamaki et al.
D413,107 S	8/1999	Kawa et al.

D415,466 S	10/1999	Kawa	
D419,535 S	1/2000	Tanimura	
D421,972 S	3/2000	Makidera et al.	
D425,874 S	5/2000	Tanimura	
D426,835 S	6/2000	Tanimura	
D435,549 S	* 12/2000	Amano et al.	..... D14/318
6,205,021 B1	* 3/2001	Klein et al.	..... 361/683
D444,462 S	7/2001	Tsuji	
D461,470 S	* 8/2002	Kawa	..... D14/318

**OTHER PUBLICATIONS**

U.S. patent application Ser. No. 29/163,344, filed Jul. 2002, Tanimura.

\* cited by examiner

*Primary Examiner*—Freda Nunn

(74) *Attorney, Agent, or Firm*—Nixon & Vanderhye

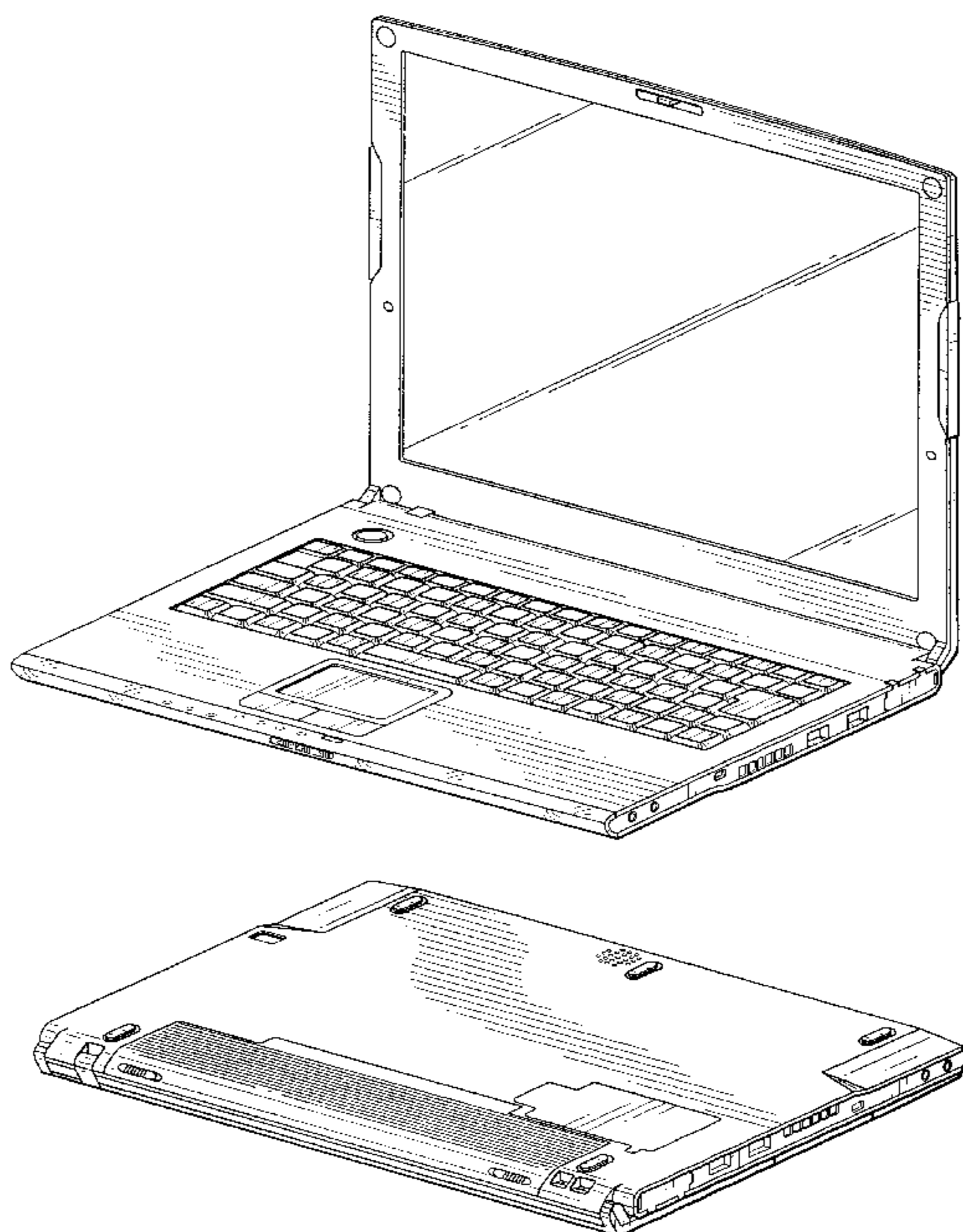
(57) **CLAIM**

The ornamental design for a notebook computer, as shown and described.

**DESCRIPTION**

FIG. 1 is a top, front and right side perspective view of a notebook computer according to my design; FIG. 2 is a front elevational view thereof; FIG. 3 is a rear elevational view thereof; FIG. 4 is a top plan view thereof; FIG. 5 is a bottom plan view thereof; FIG. 6 is a right side elevational view thereof; FIG. 7 is a left side elevational view thereof; FIG. 8 is a top, front and right side perspective view of the notebook computer in a closed position; and, FIG. 9 is a bottom, rear and right side perspective view of the notebook computer in a closed position.

**1 Claim, 9 Drawing Sheets**



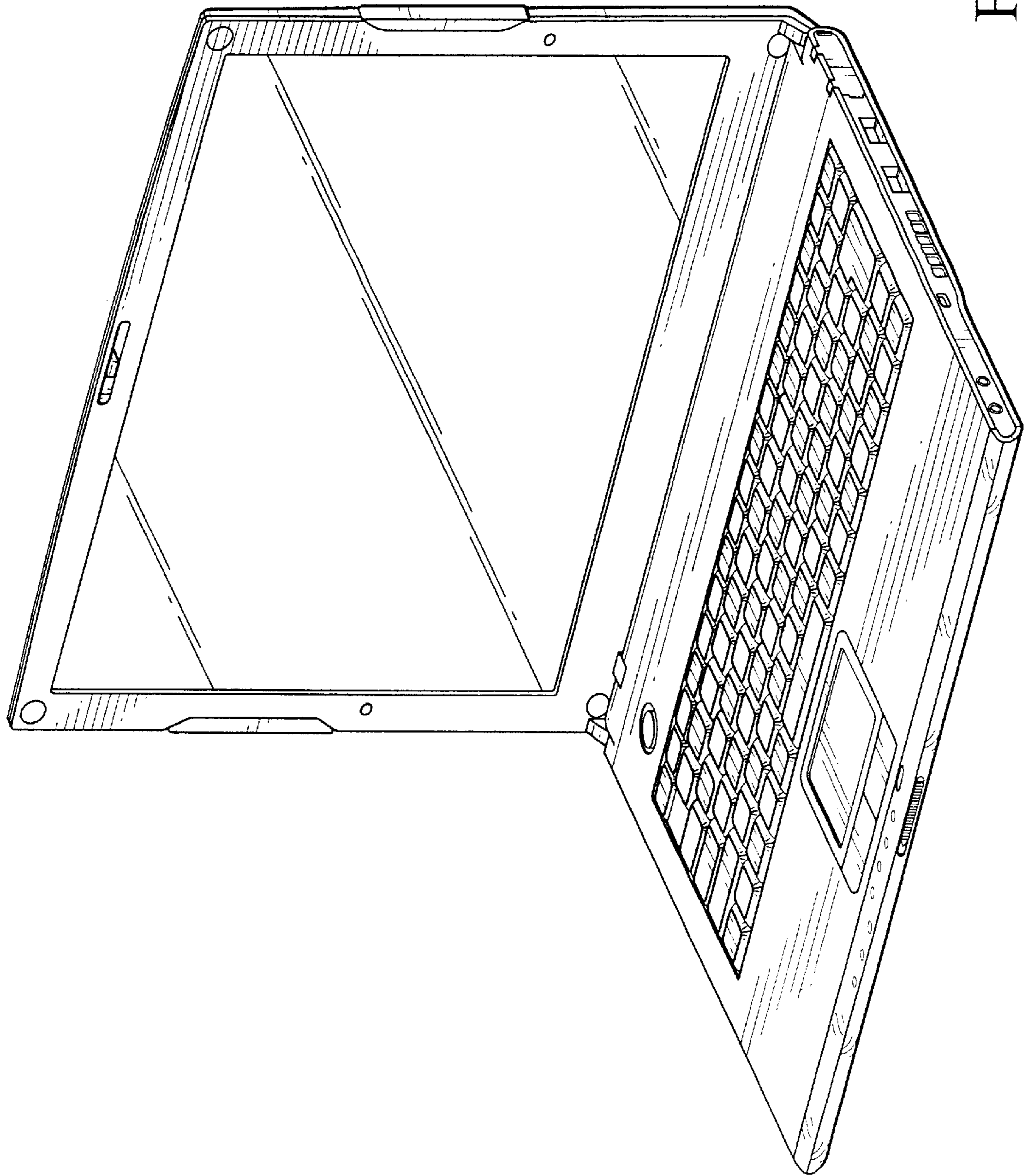


Fig. 1

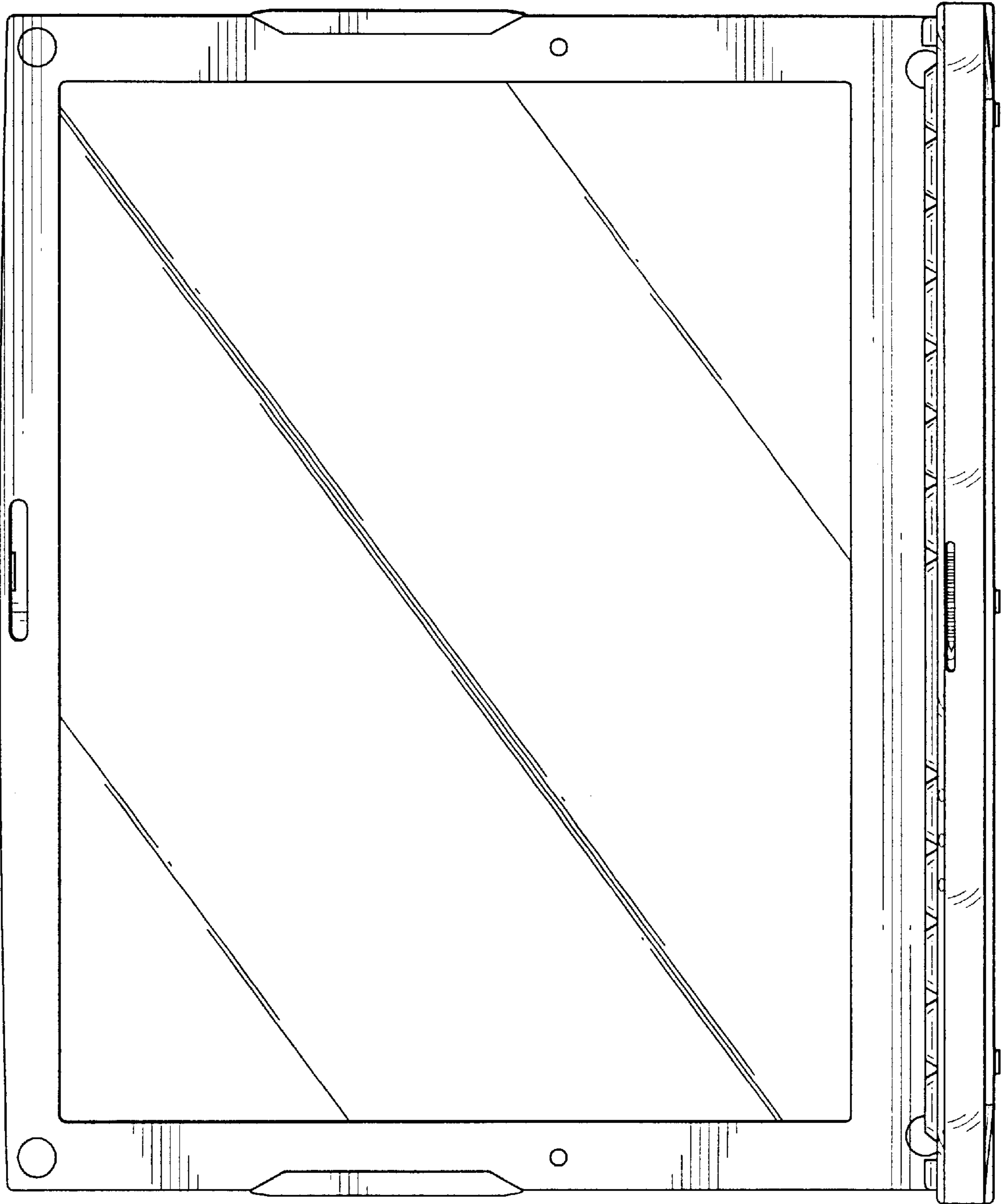


Fig. 2

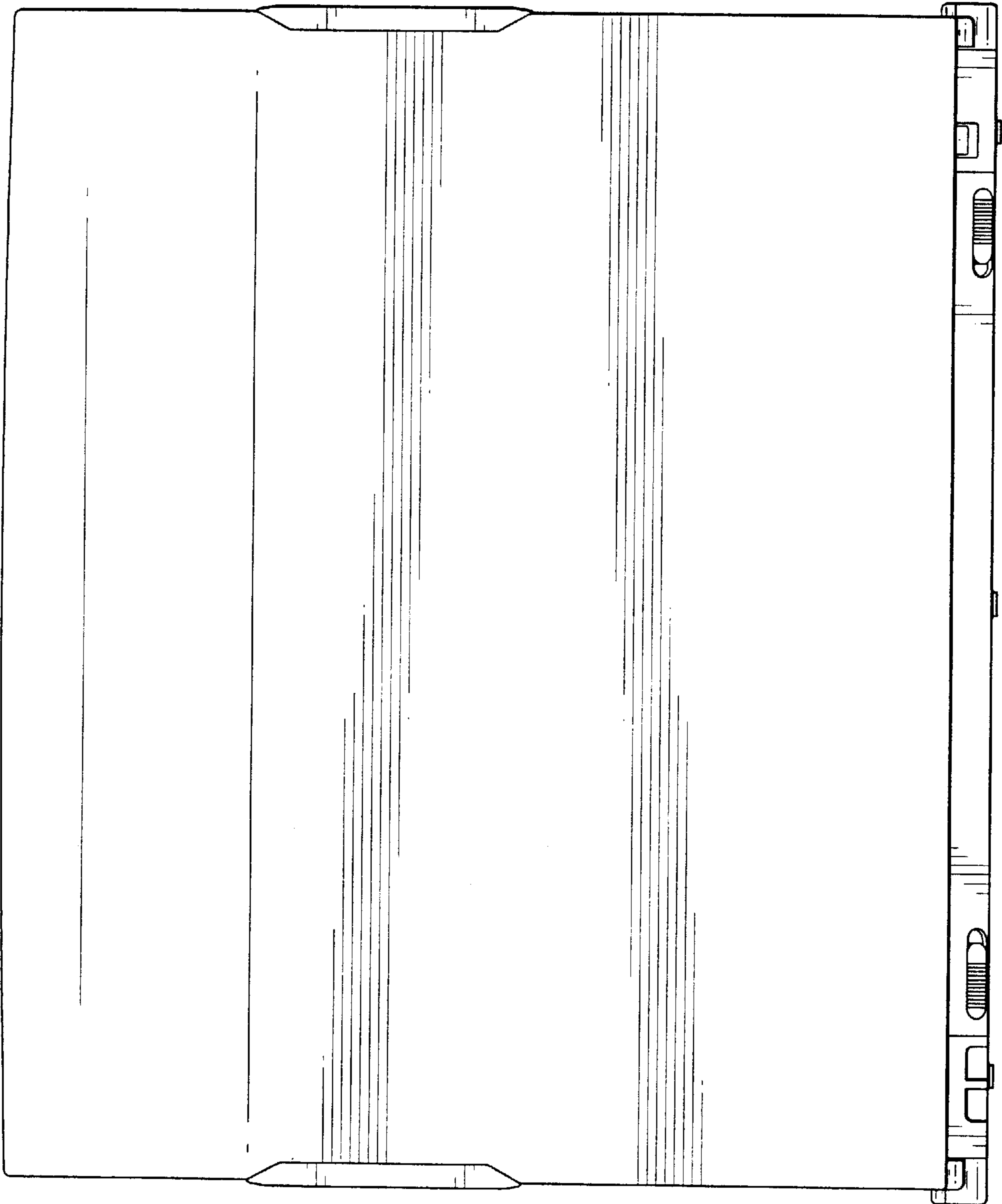


Fig. 3

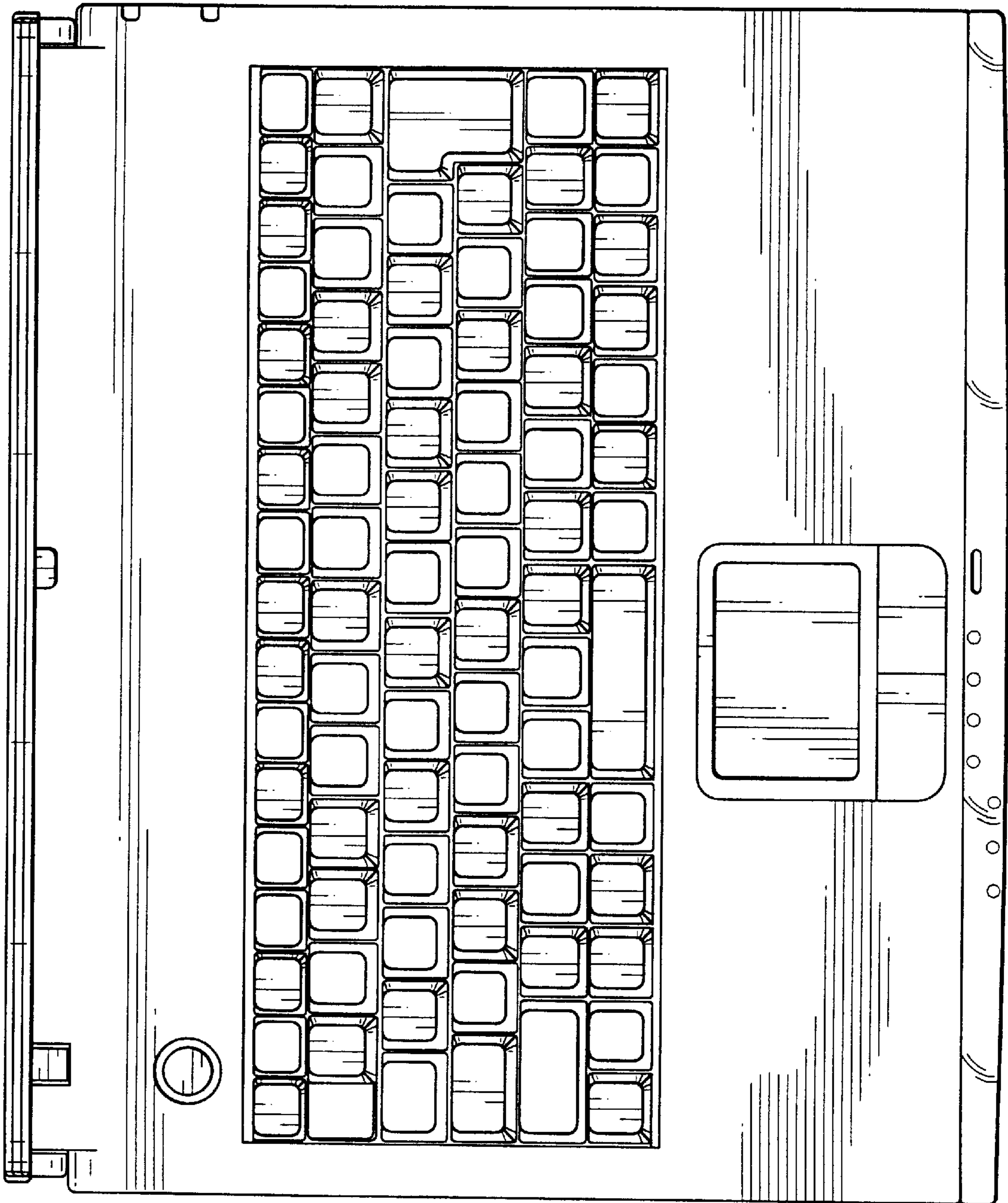


Fig. 4

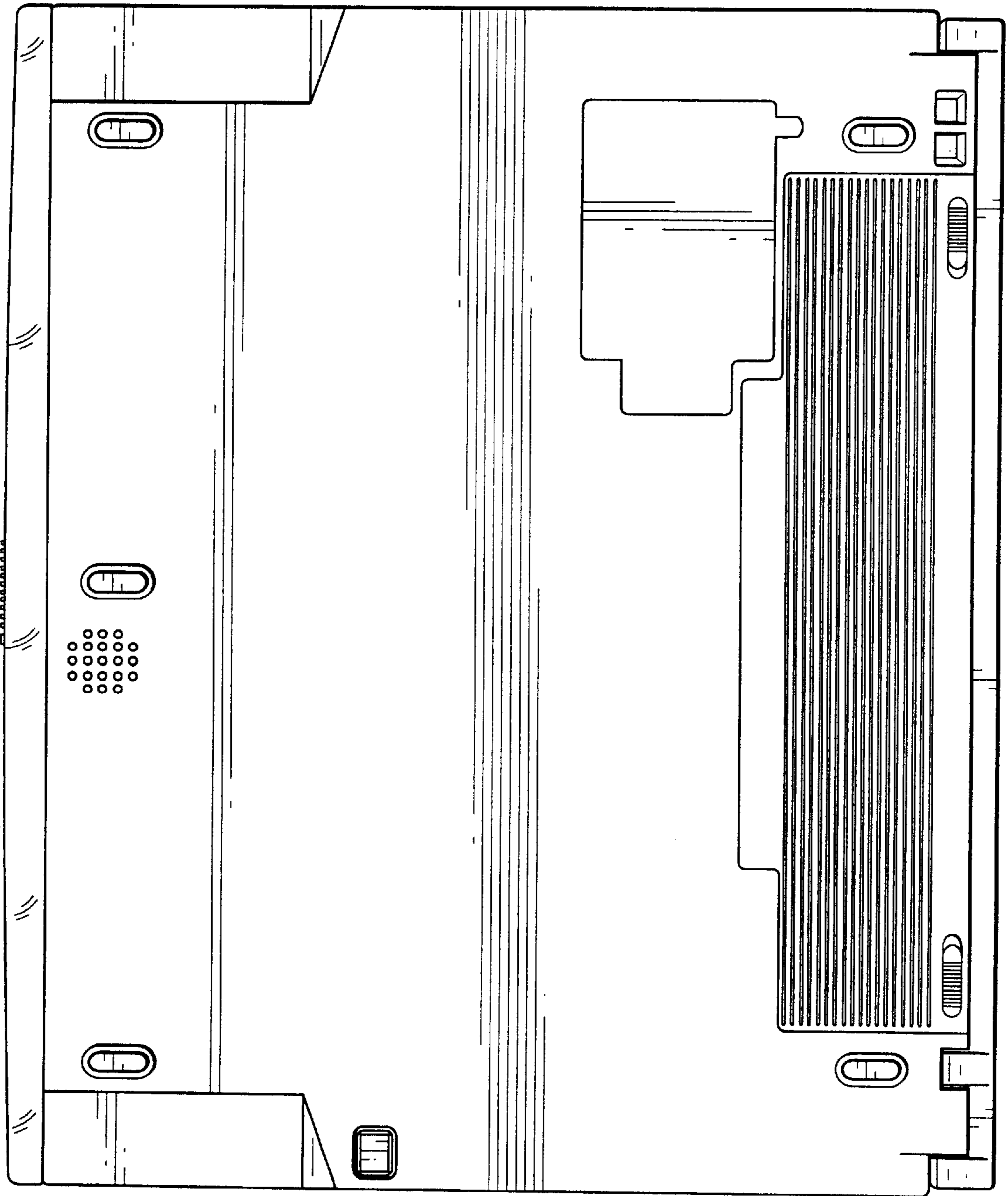


Fig. 5

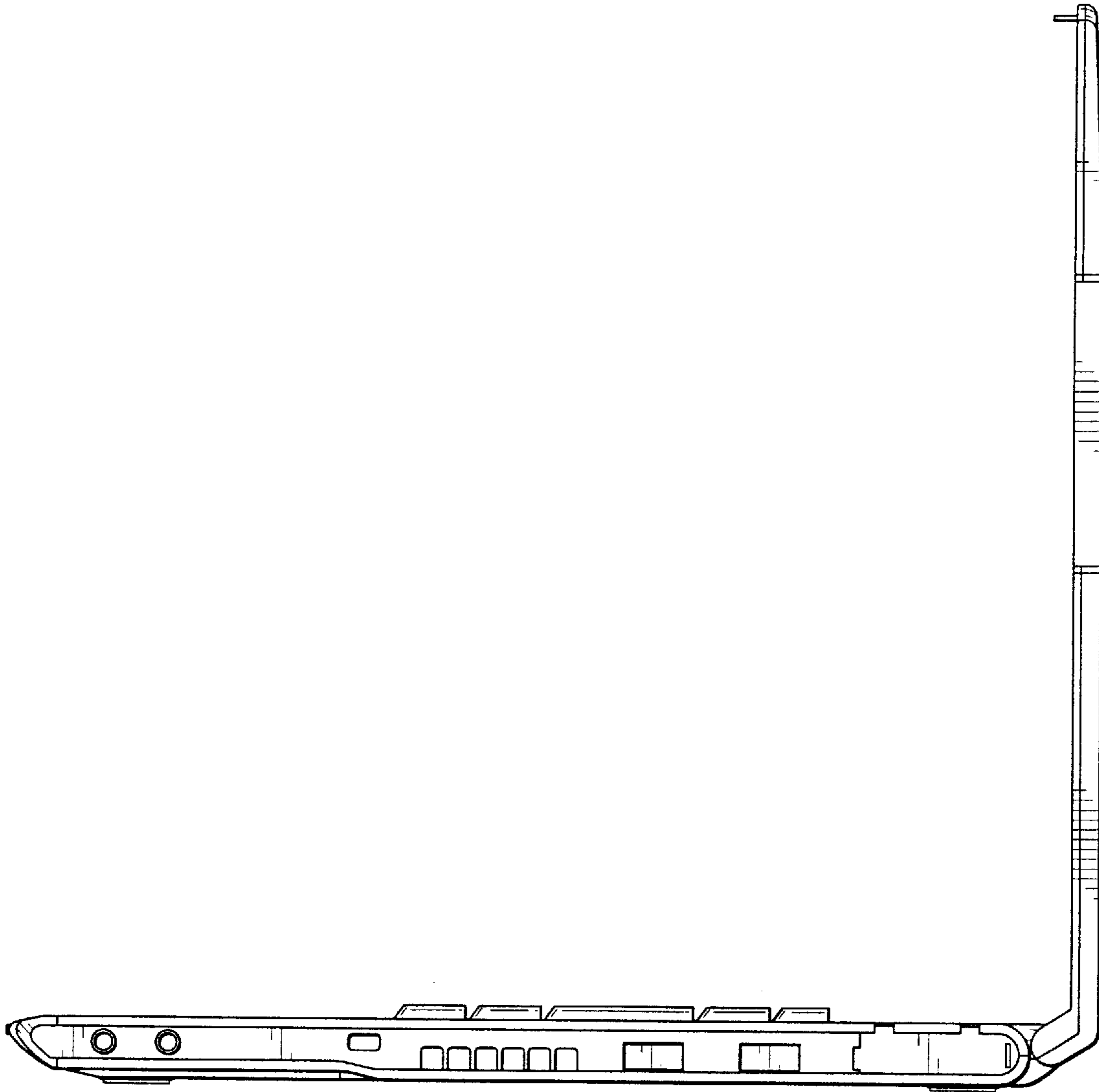


Fig. 6

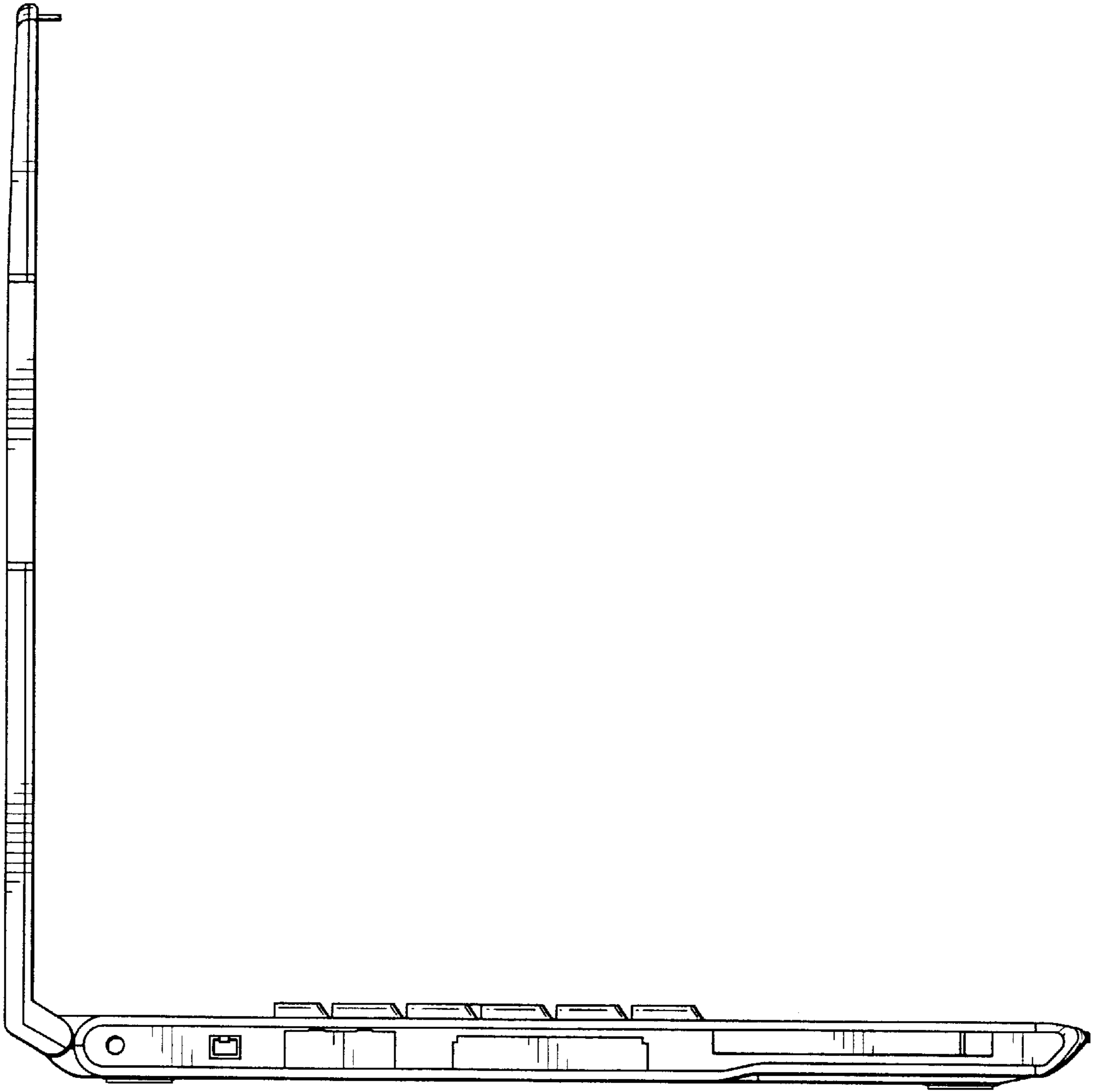


Fig. 7



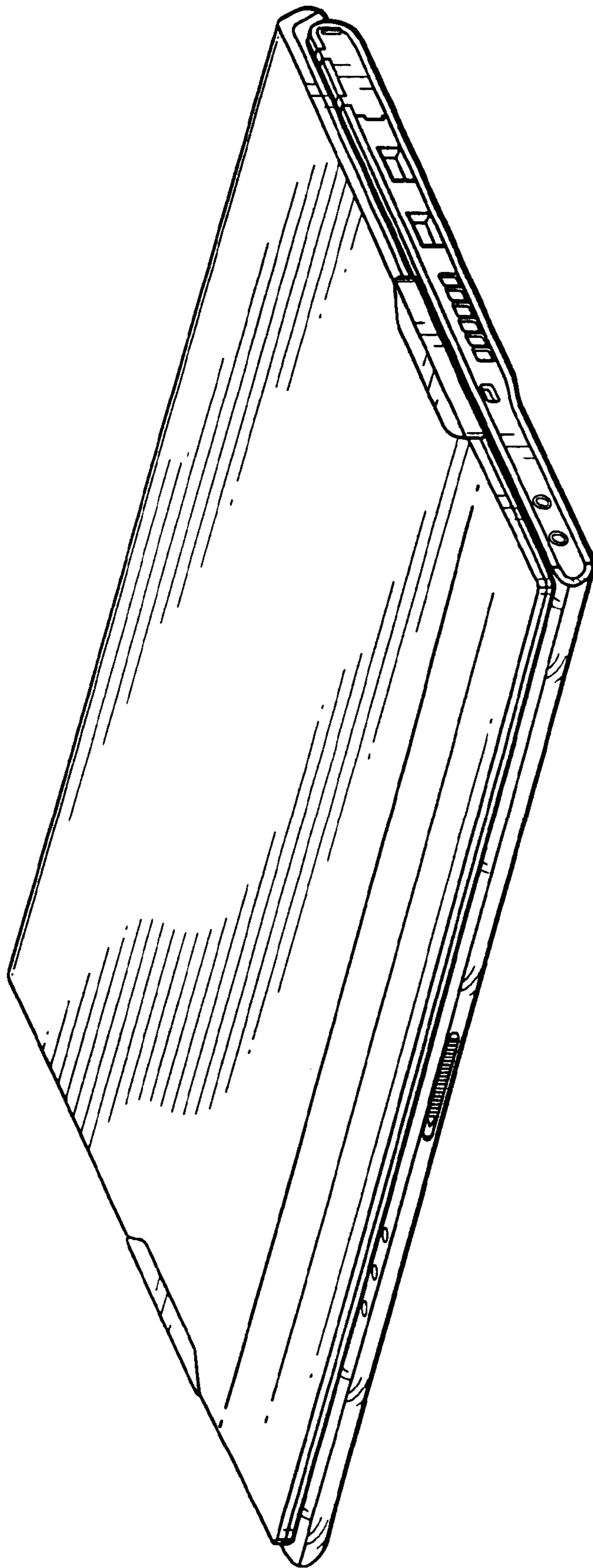


Fig. 8

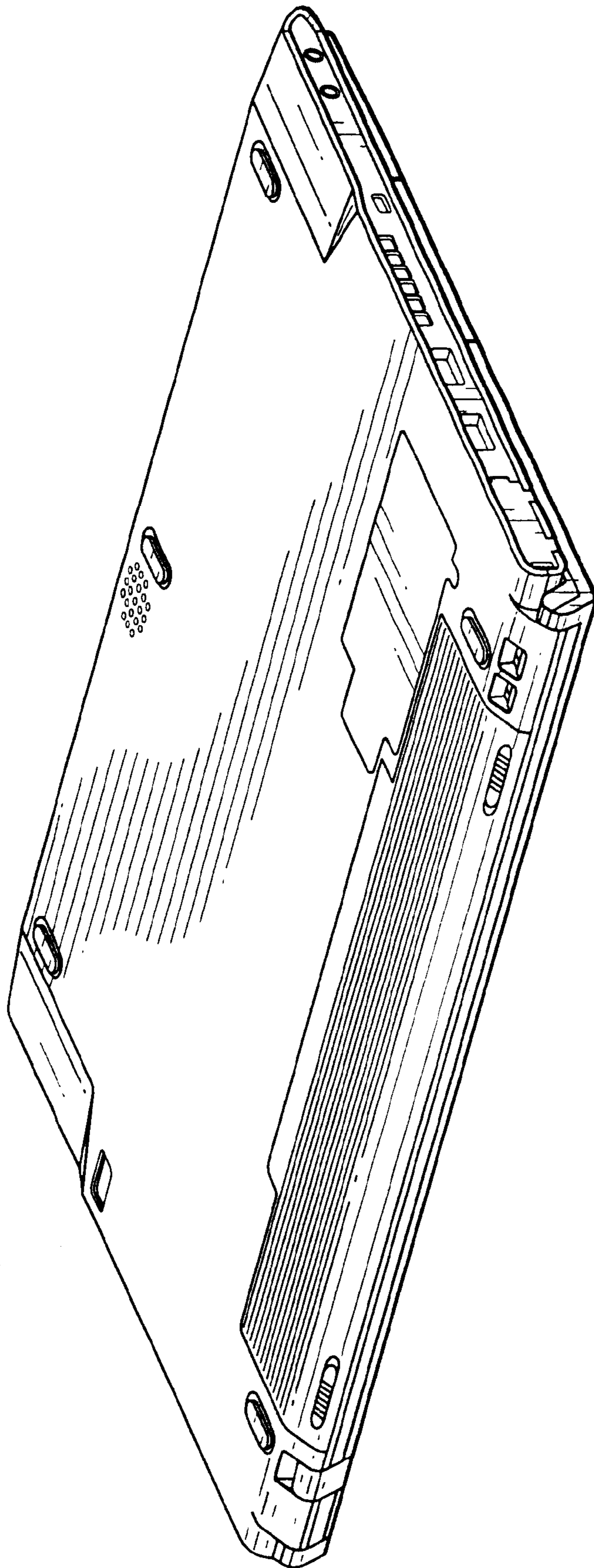


Fig. 9