



US00D483351S

(12) **United States Design Patent**
Jennings et al.

(10) **Patent No.: US D483,351 S**

(45) **Date of Patent: ** Dec. 9, 2003**

(54) **SPEAKER MICROPHONE ASSEMBLY FOR A COMMUNICATION DEVICE**

(75) Inventors: **William H. Jennings**, Bedford, VA (US); **Brian H. Bowles**, Lynchburg, VA (US); **Kevin W. Bourne**, Lynchburg, VA (US)

(73) Assignee: **Stone Mountain, Ltd.**, Huddleston, VA (US)

(**) Term: **14 Years**

(21) Appl. No.: **29/169,466**

(22) Filed: **Oct. 21, 2002**

(51) **LOC (7) Cl. 14-01**

(52) **U.S. Cl. D14/225**

(58) **Field of Search** D14/225, 226, D14/227, 228, 229, 240, 243, 256, 140, 142; 181/158, 242; 381/355, 356, 357, 358, 359, 360, 354

(56) **References Cited**

U.S. PATENT DOCUMENTS

4,057,124 A * 11/1977 Braden 181/242

D346,804 S * 5/1994 Tokiyama D14/226

D376,599 S * 12/1996 Lindeman et al. D14/225

D432,527 S * 10/2000 DeLeon D14/240

D440,560 S * 4/2001 Tokiyama et al. D14/225

D459,718 S * 7/2002 Ma et al. D14/225

* cited by examiner

Primary Examiner—Paula A. Mortimer

(74) *Attorney, Agent, or Firm*—Michael N. Haynes

(57) **CLAIM**

The ornamental design for a speaker microphone assembly for a communication device, as shown and described.

DESCRIPTION

FIG. 1 is a front elevational view of a speaker microphone assembly showing my new design;

FIG. 2 is a rear elevational view thereof;

FIG. 3 is a left side elevational view thereof;

FIG. 4 is a right side elevational view thereof

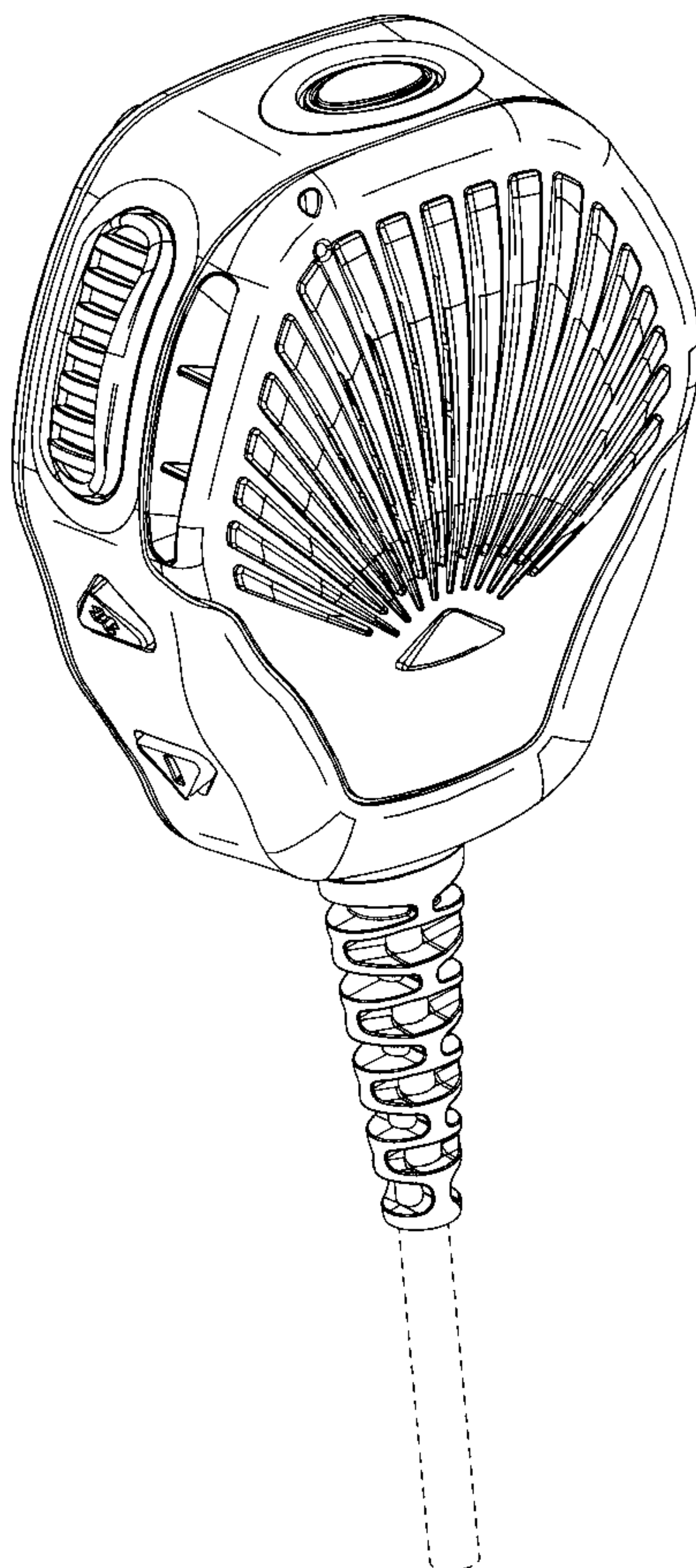
FIG. 5 is a top plan view thereof;

FIG. 6 is a bottom plan view thereof; and,

FIG. 7 is a top, front, and left side isometric view thereof.

The broken lines shown herein are for illustrative purposes and form no part of the claimed design.

1 Claim, 5 Drawing Sheets



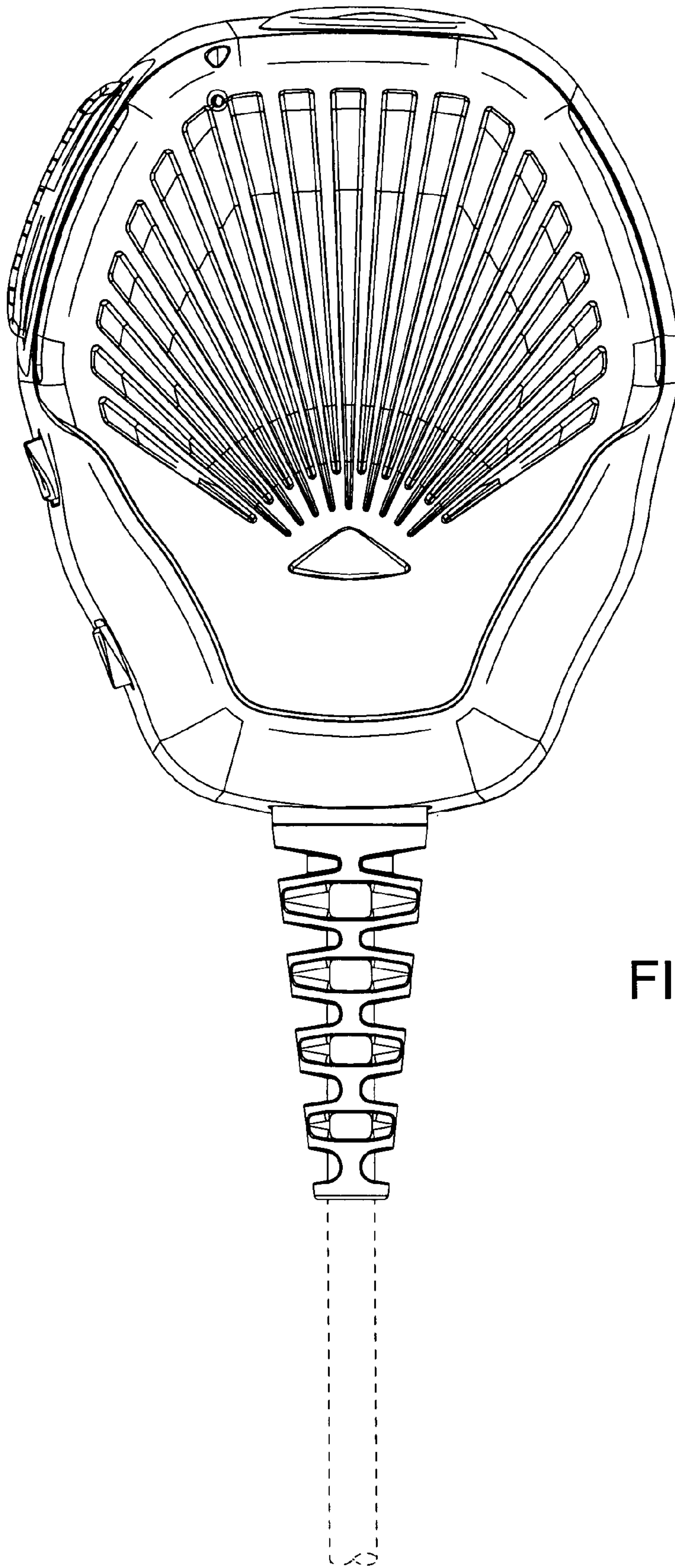


FIG. 1.

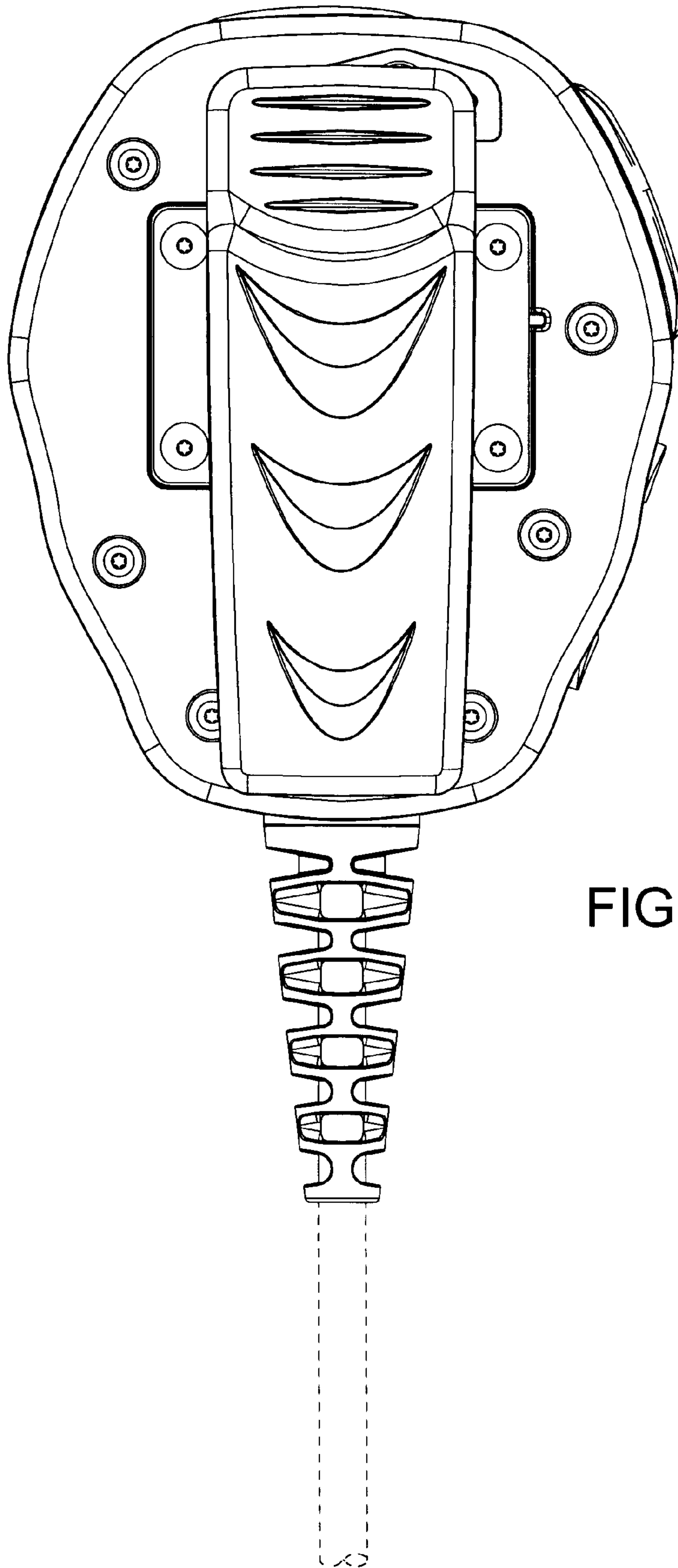


FIG. 2.

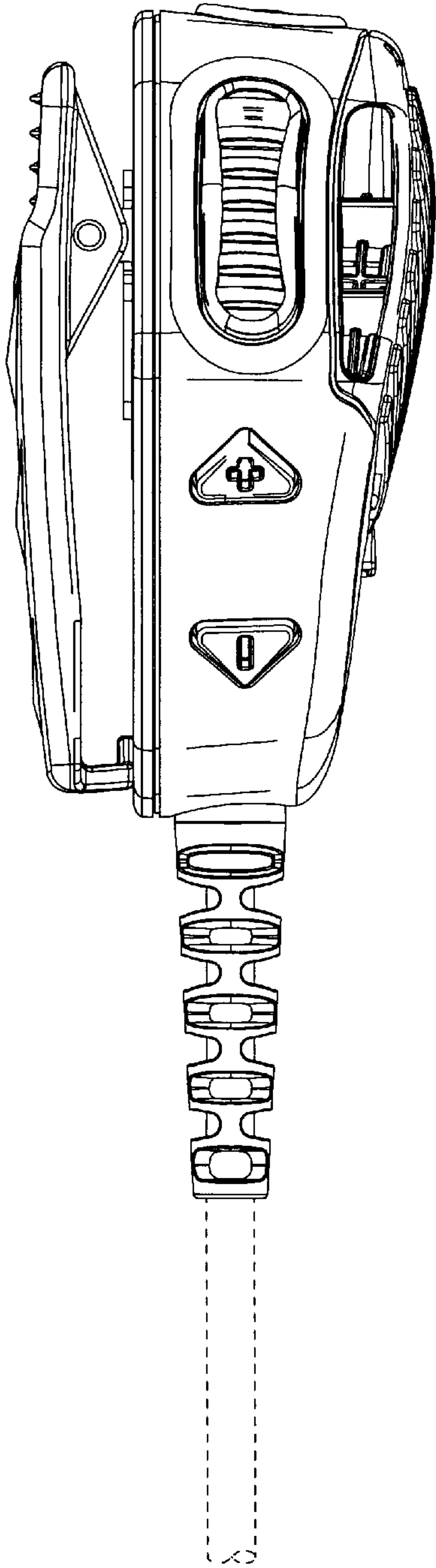


FIG. 3.

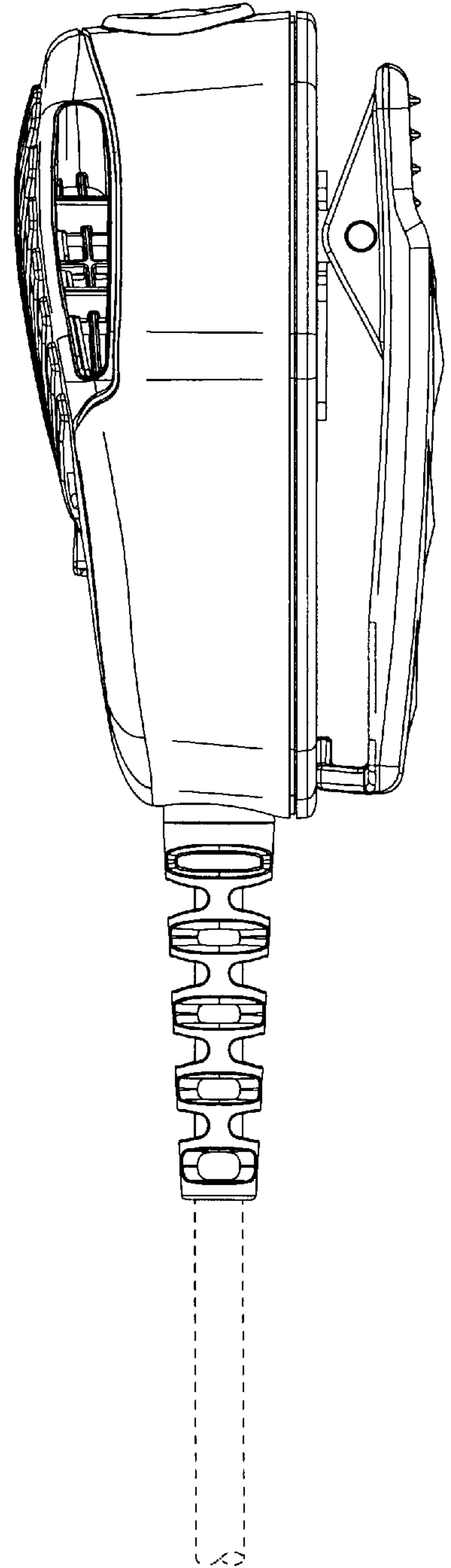


FIG. 4.

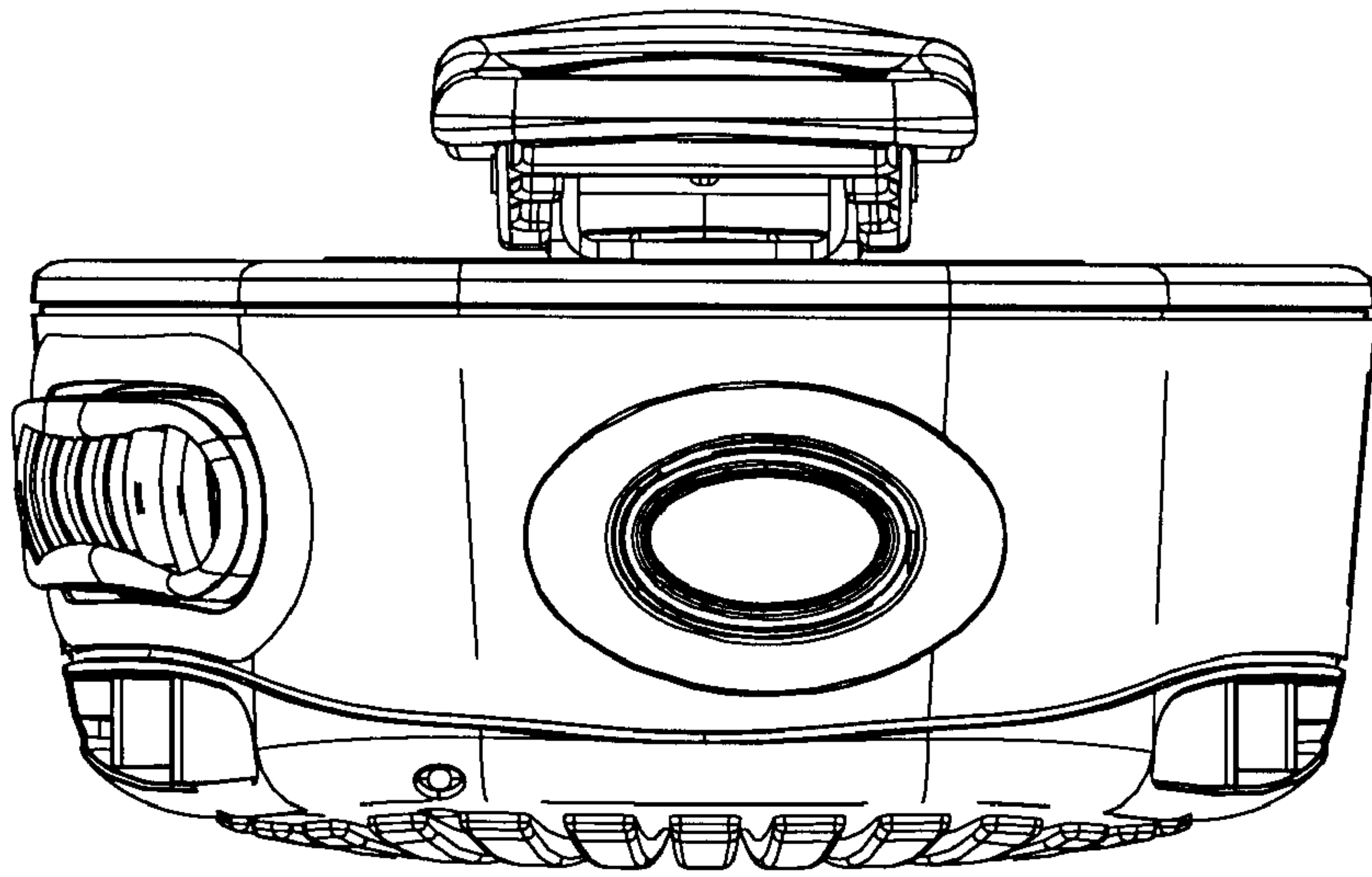


FIG. 5.

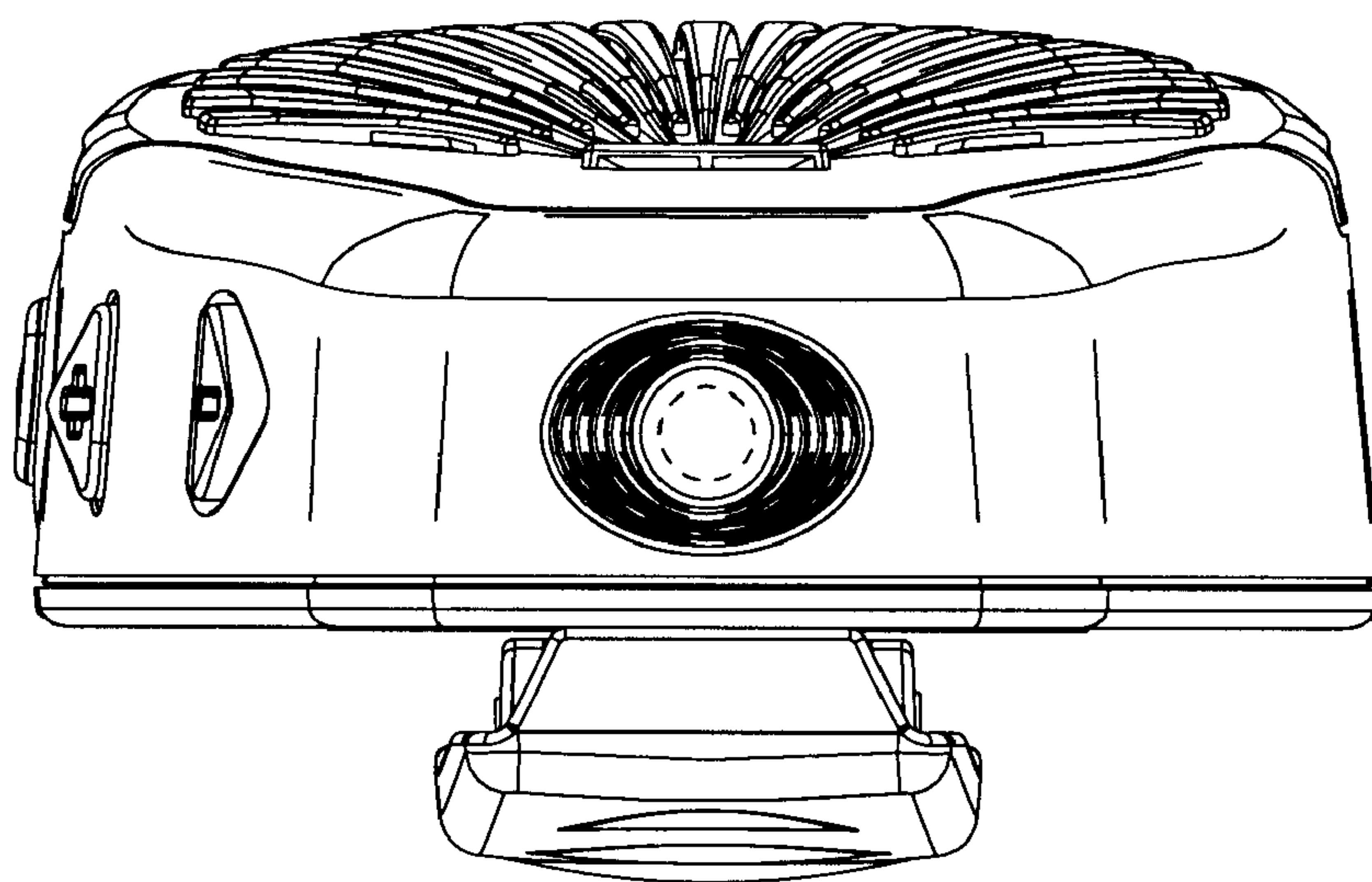


FIG. 6.

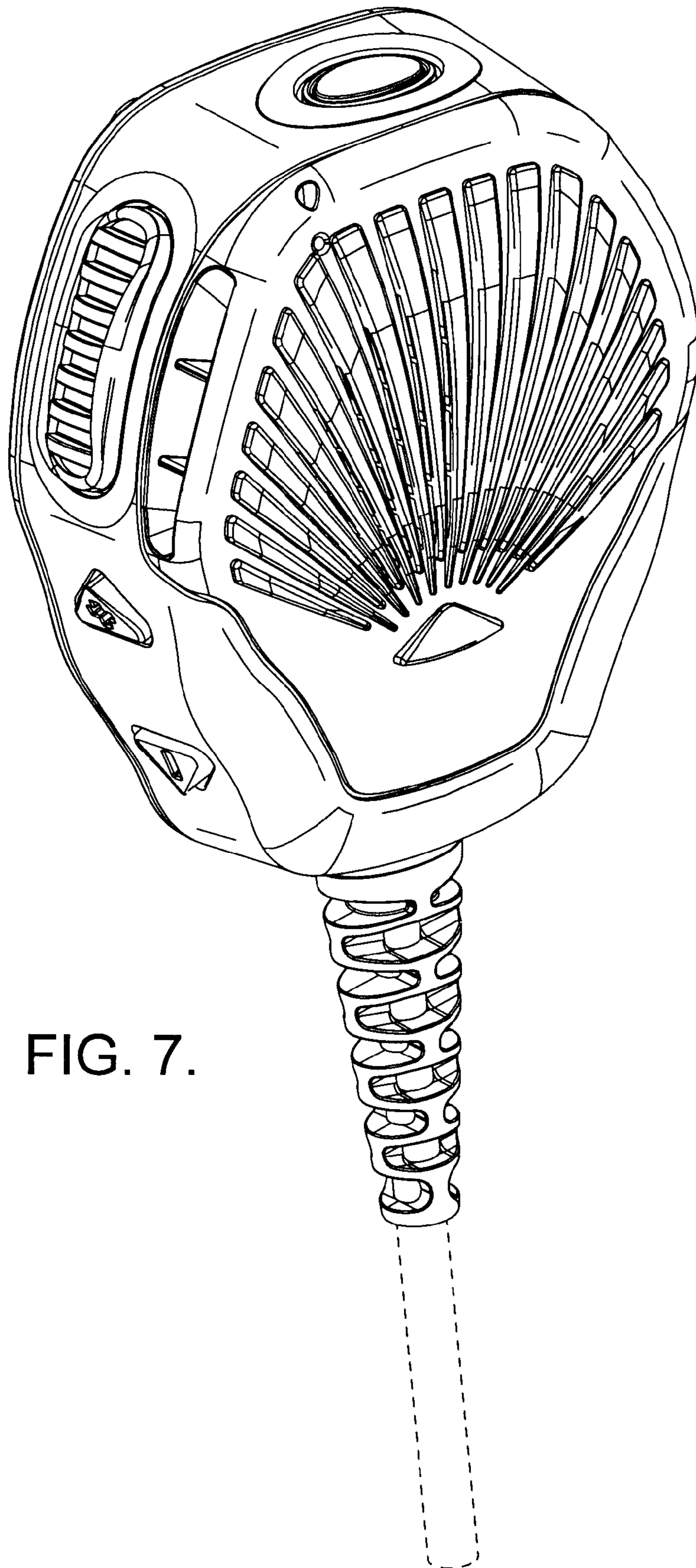


FIG. 7.