



US00D483350S

(12) **United States Design Patent**
Chen

(10) **Patent No.:** **US D483,350 S**

(45) **Date of Patent:** **** Dec. 9, 2003**

(54) **LOUDSPEAKER HOUSING**

(75) **Inventor:** **Frank Chen, Taipei (TW)**

(73) **Assignee:** **Harman International Industries, Incorporated, Northridge, CA (US)**

(**) **Term:** **14 Years**

(21) **Appl. No.:** **29/174,997**

(22) **Filed:** **Jan. 29, 2003**

(51) **LOC (7) Cl.** **14-01**

(52) **U.S. Cl.** **D14/216**

(58) **Field of Search** D14/204, 207,
D14/209-216, 356; 181/143-145, 147-148,
150, 153, 157, 198-199; 381/300-302,
306, 333, 345, 361-364, 386-388

(56) **References Cited**

U.S. PATENT DOCUMENTS

2,896,737 A * 7/1959 Gellman 181/153
D211,361 S * 6/1968 Moore D14/212

D223,580 S * 5/1972 Richards D14/215
D274,058 S * 5/1984 Gross D14/215
D393,642 S * 4/1998 Yuyama D14/216
D448,017 S * 9/2001 Hasbrook D14/216

* cited by examiner

Primary Examiner—Nanda Bondade

(74) *Attorney, Agent, or Firm*—Plumsea Law Group, LLC

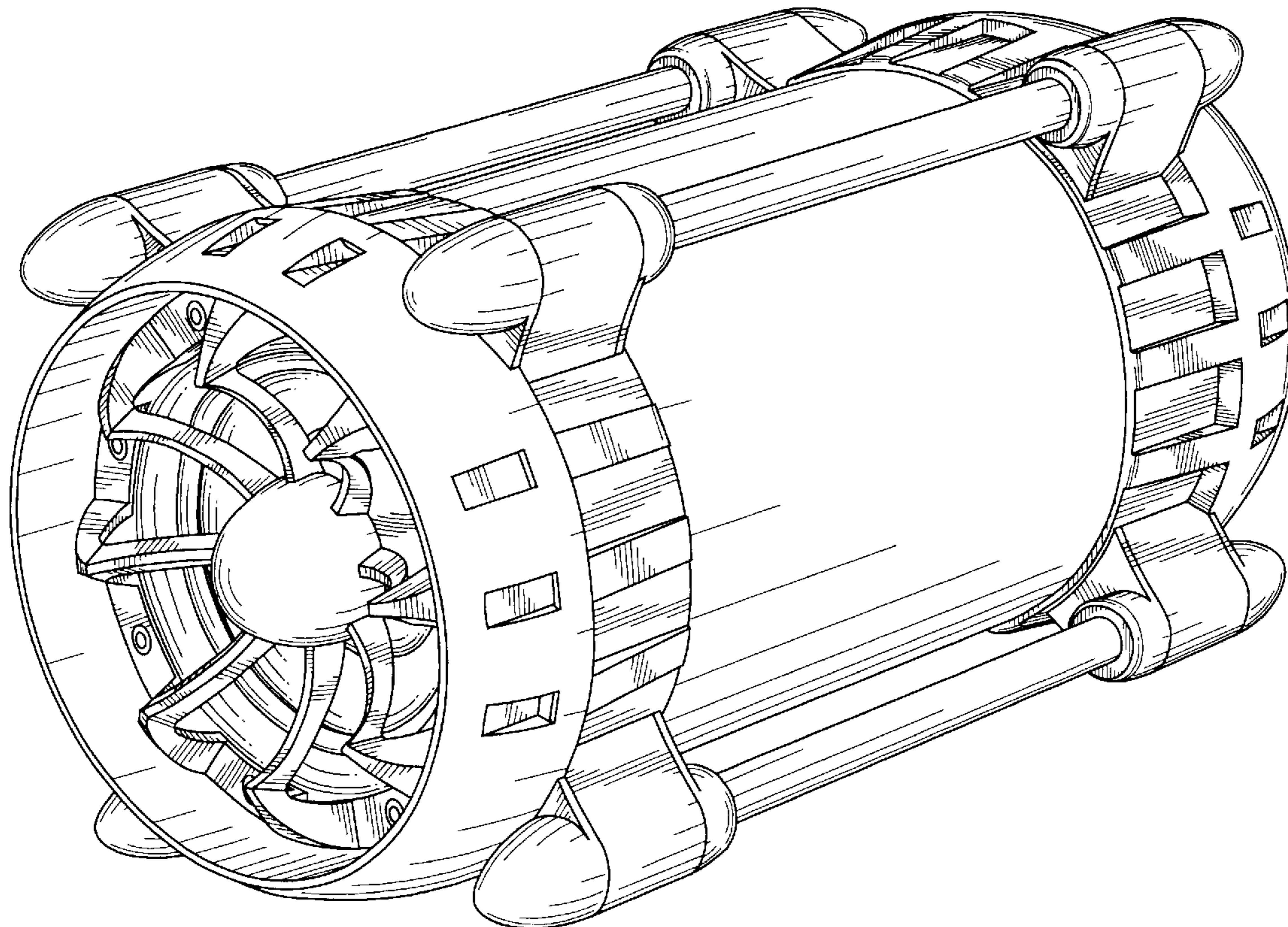
(57) **CLAIM**

The ornamental design for a loudspeaker housing, as shown and described.

DESCRIPTION

FIG. 1 is a perspective view of a loudspeaker housing showing my new design;
FIG. 2 is a rear perspective view thereof;
FIG. 3 is a front elevational view, the rear elevational view being a mirror image thereof;
FIG. 4 is a side elevational view of one side thereof, bottom plan and top plan views being identical; and,
FIG. 5 is a side elevational view of the other side thereof.

1 Claim, 5 Drawing Sheets



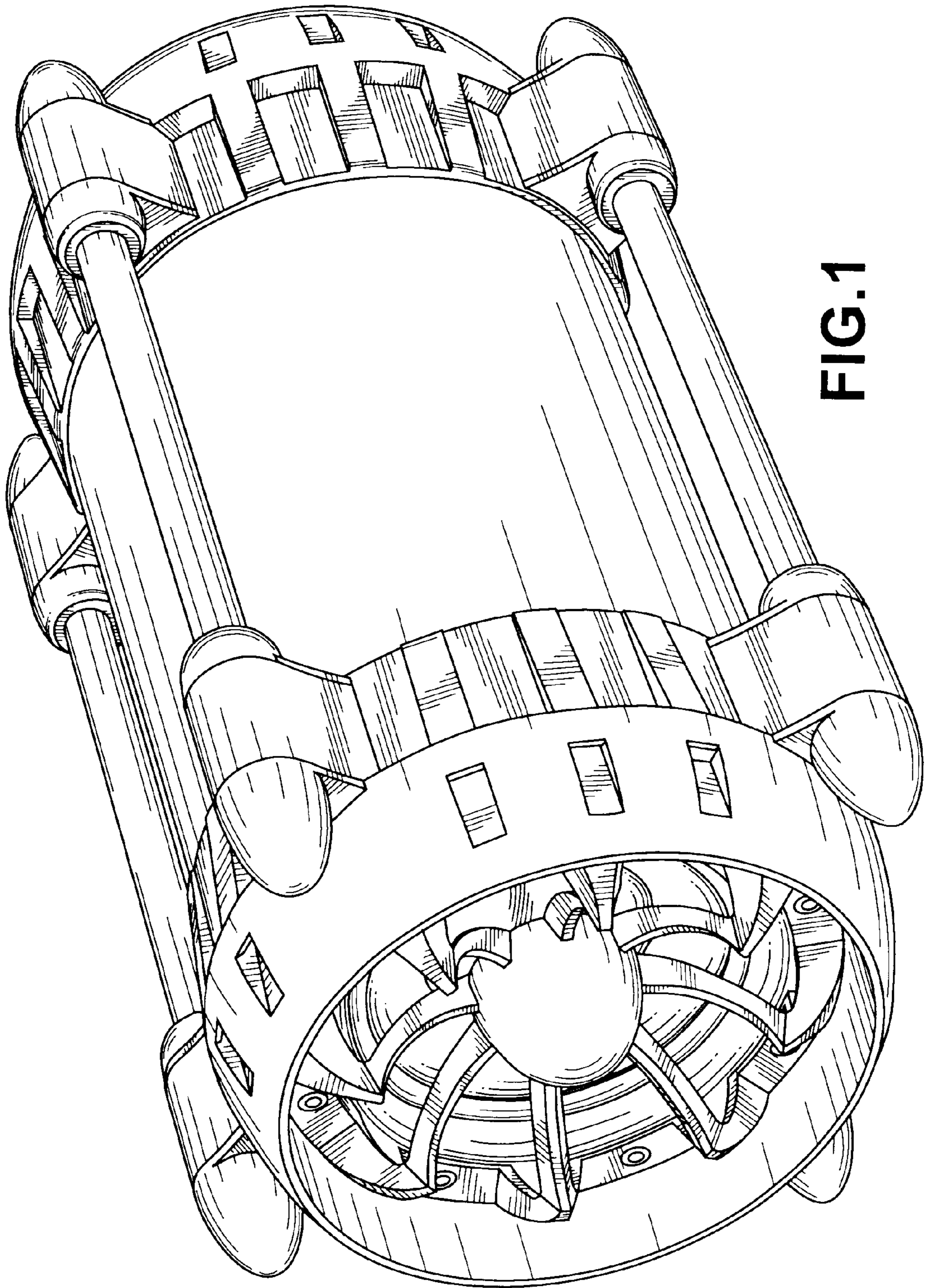


FIG. 1

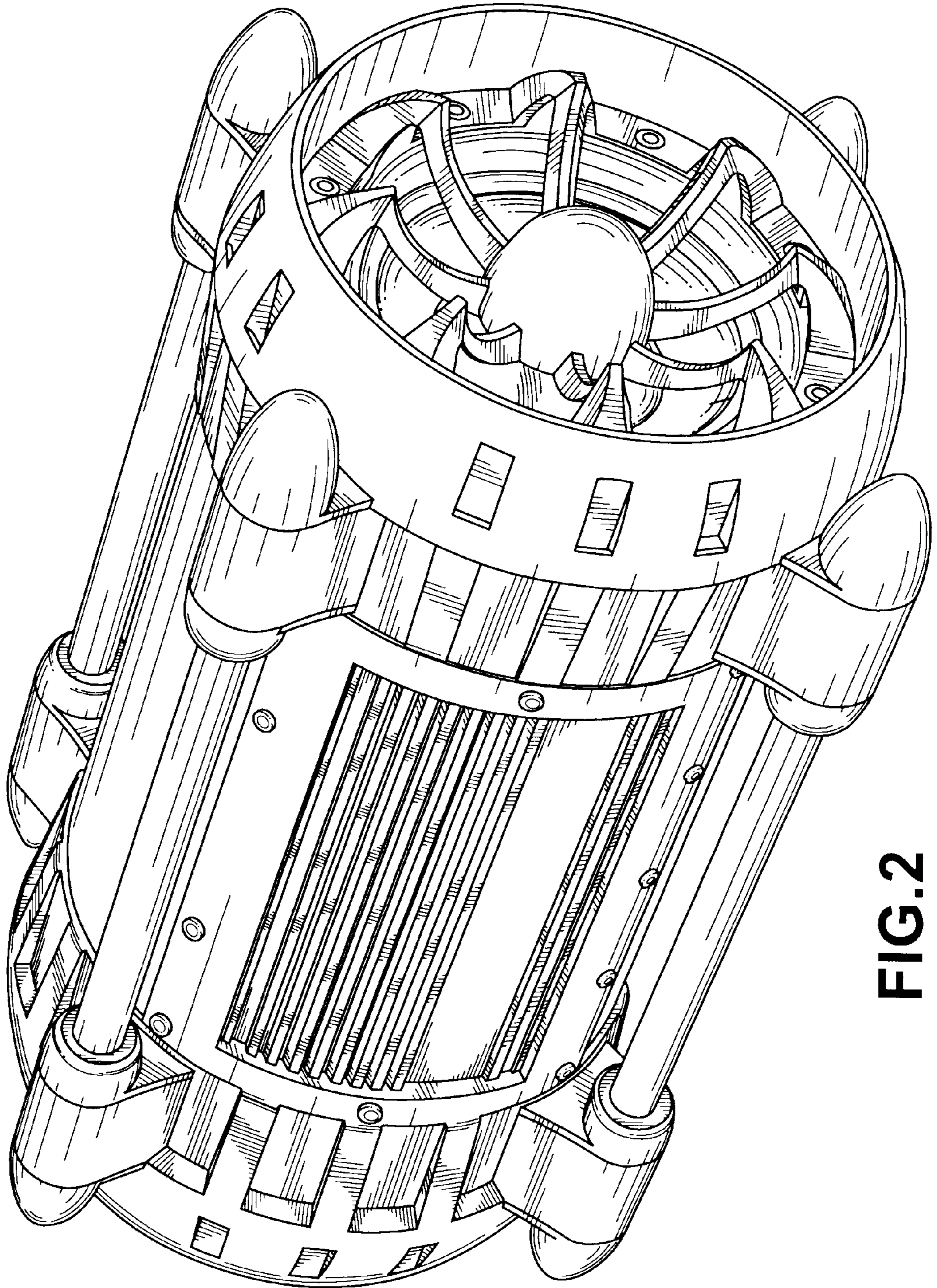


FIG.2

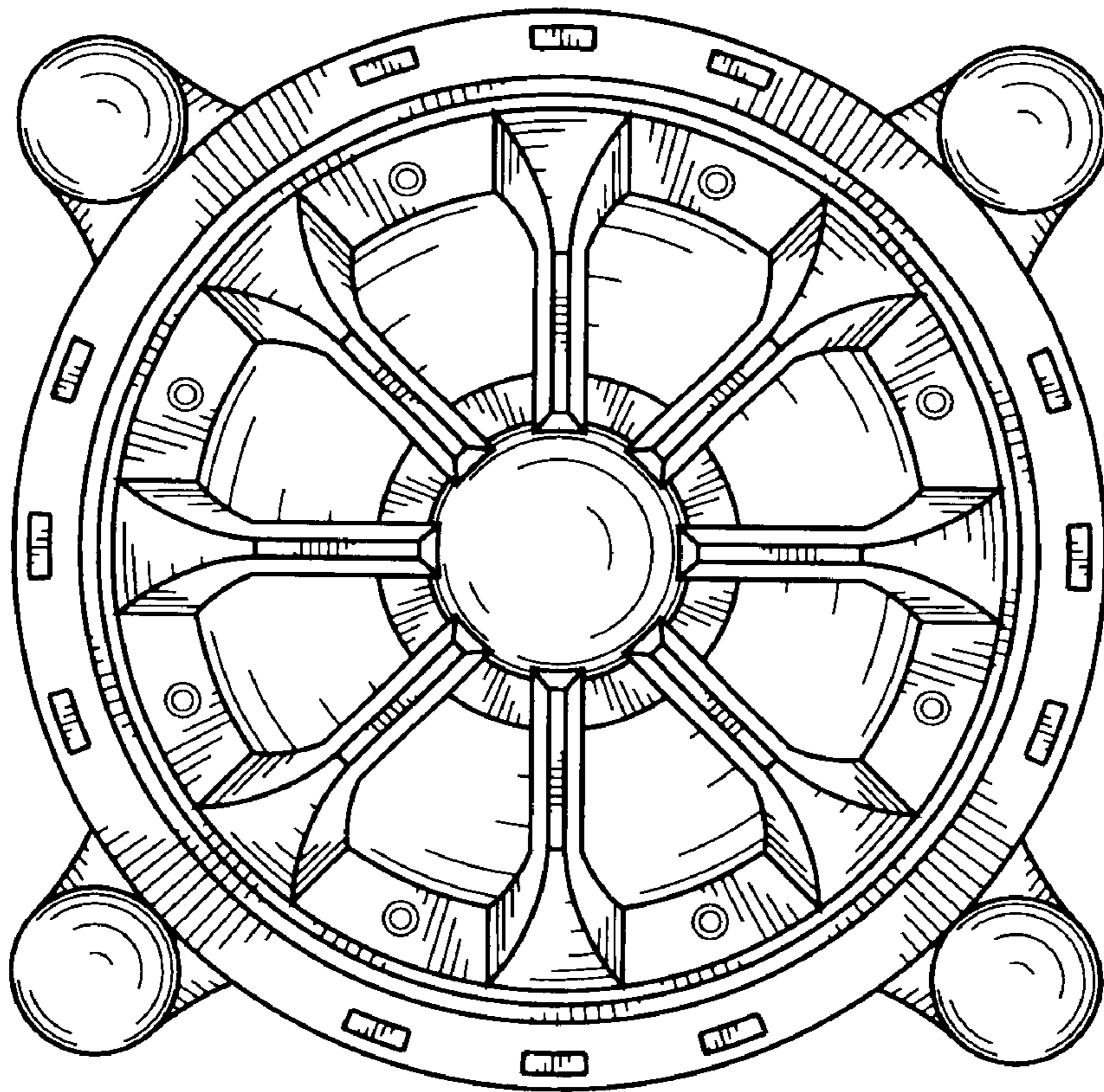


FIG.3

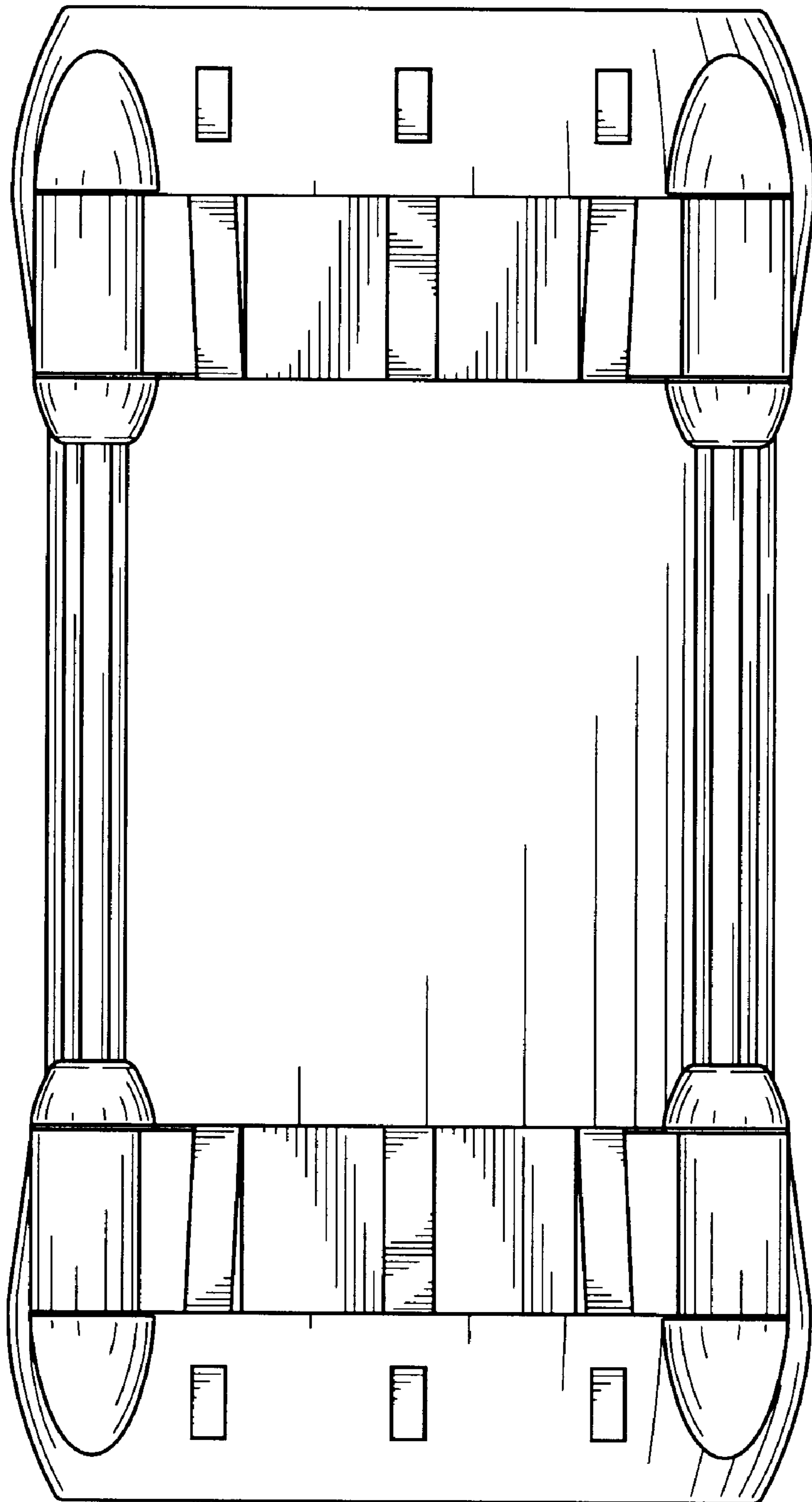


FIG. 4

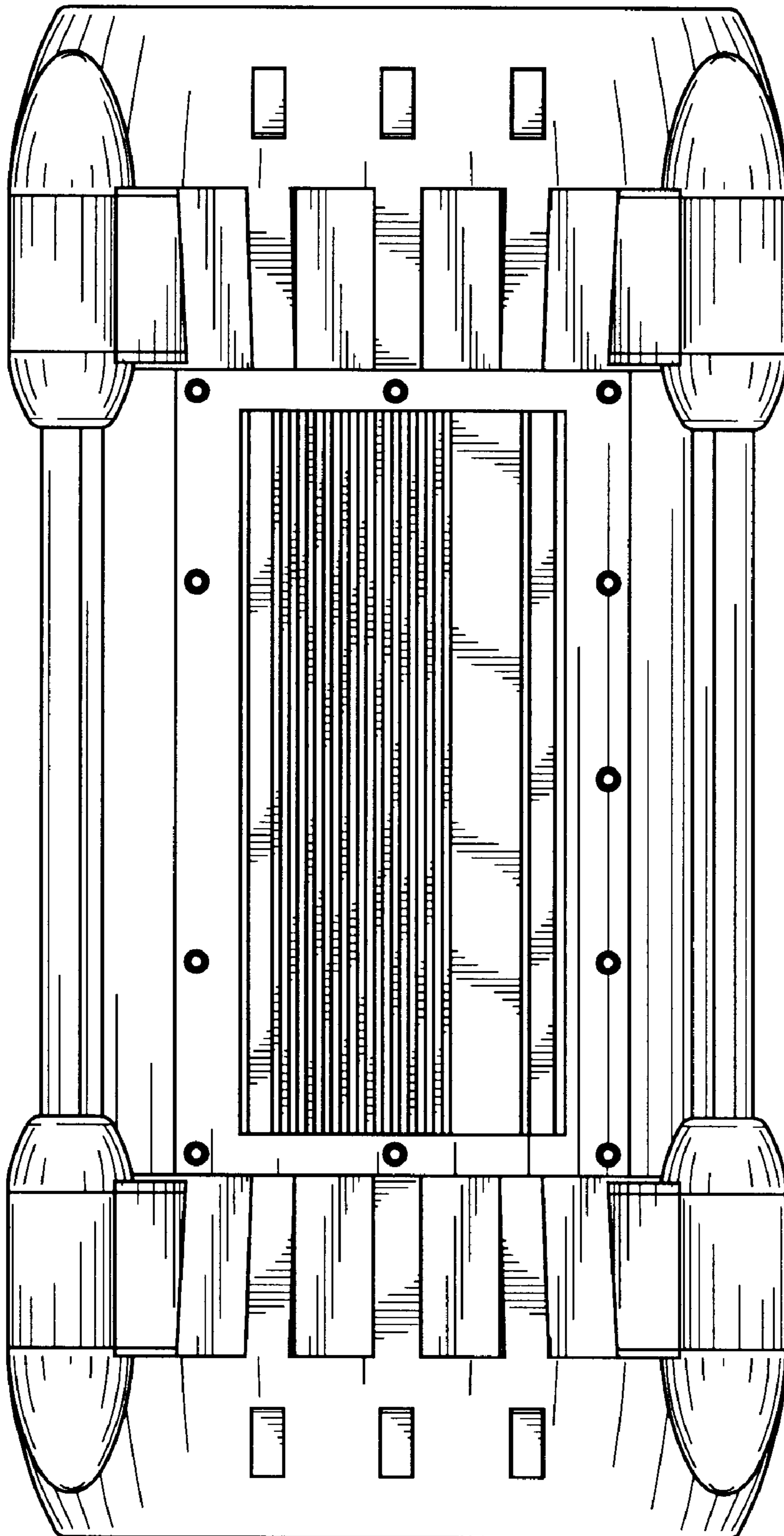


FIG. 5