



US00D483344S

(12) **United States Design Patent**  
**Escorcía et al.**

(10) **Patent No.:** **US D483,344 S**

(45) **Date of Patent:** **\*\* Dec. 9, 2003**

(54) **MOBILE CONTROL HEAD**

(75) Inventors: **Yesenia V. Escorcía**, Plantation, FL (US); **Anthony M. Kakiel**, Coral Springs, FL (US); **Scott H. Richards**, Plantation, FL (US); **Adrian F. Rubio**, Coral Springs, FL (US)

(73) Assignee: **Motorola, Inc**, Schaumburg, IL (US)

(\*\*) Term: **14 Years**

(21) Appl. No.: **29/178,391**

(22) Filed: **Mar. 25, 2003**

(51) **LOC (7) Cl.** ..... **14-03**

(52) **U.S. Cl.** ..... **D14/157**

(58) **Field of Search** ..... D14/135-136,  
D14/156-157, 160-164, 167-168, 188,  
193-198, 257-258, 265; 362/26-27, 86,  
253; 369/6-7, 75.1, 75.2, 77.1, 77.2; 455/344,  
347, 350-351

(56) **References Cited**

**U.S. PATENT DOCUMENTS**

D241,068 S	*	8/1976	Kawasaki	.....	D14/157
D263,584 S	*	3/1982	Castagna et al.	.....	D14/258
D315,560 S	*	3/1991	Yun	.....	D14/157
D357,024 S		4/1995	Tokiyama et al.		
D364,876 S		12/1995	Tokiyama		
D364,877 S		12/1995	Tokiyama et al.		

D365,568 S		12/1995	Tokiyama		
D386,767 S		11/1997	Tokiyama et al.		
D388,438 S		12/1997	Tokiyama et al.		
D389,841 S		1/1998	Tokiyama et al.		
D393,265 S		4/1998	Tokiyama et al.		
5,862,468 A	*	1/1999	Kim	.....	455/349
D444,146 S	*	6/2001	Weiland et al.	.....	D14/258

\* cited by examiner

*Primary Examiner*—Nanda Bondade

(74) *Attorney, Agent, or Firm*—Barbara R. Doutre

(57) **CLAIM**

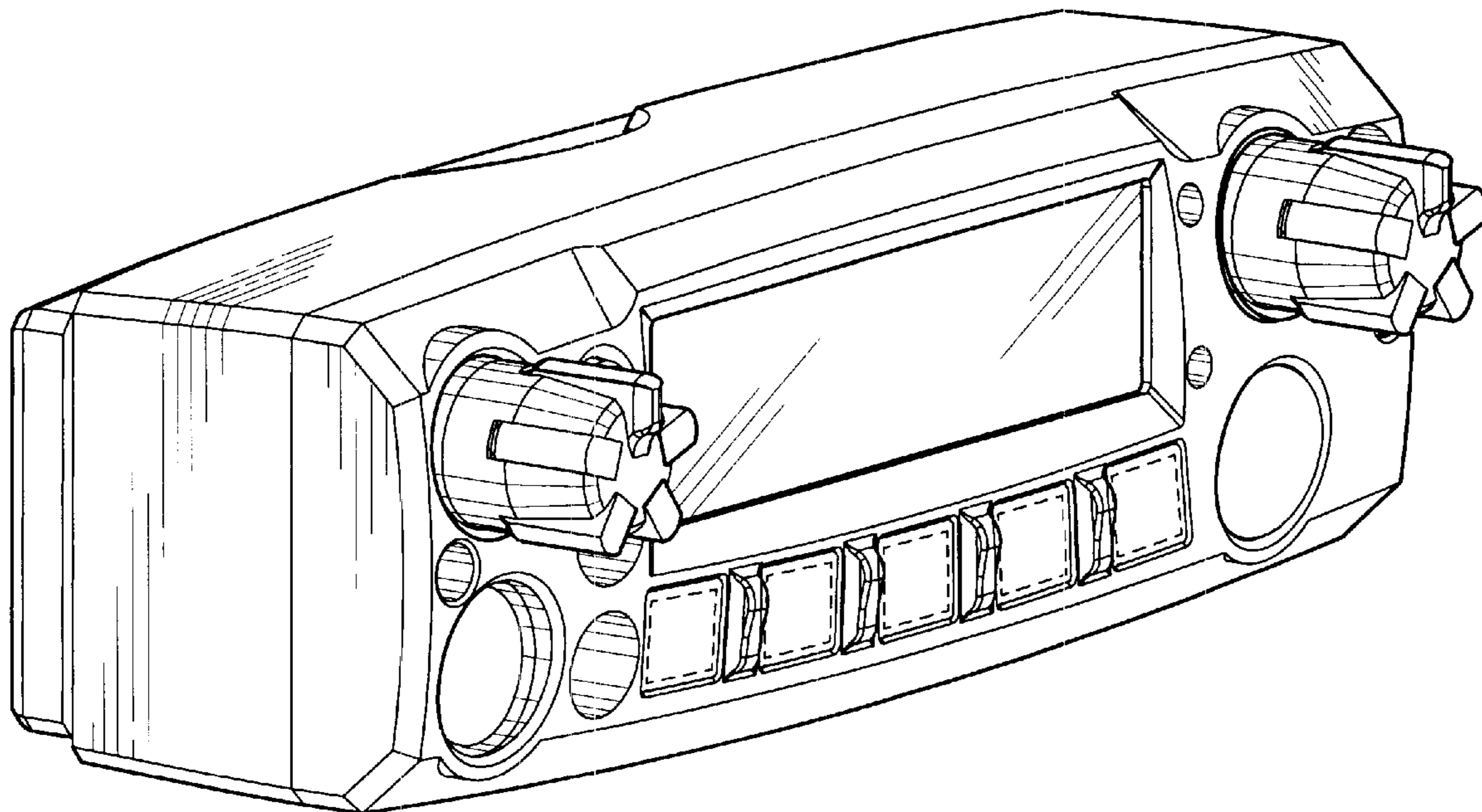
The ornamental design for a mobile control head, as shown and described.

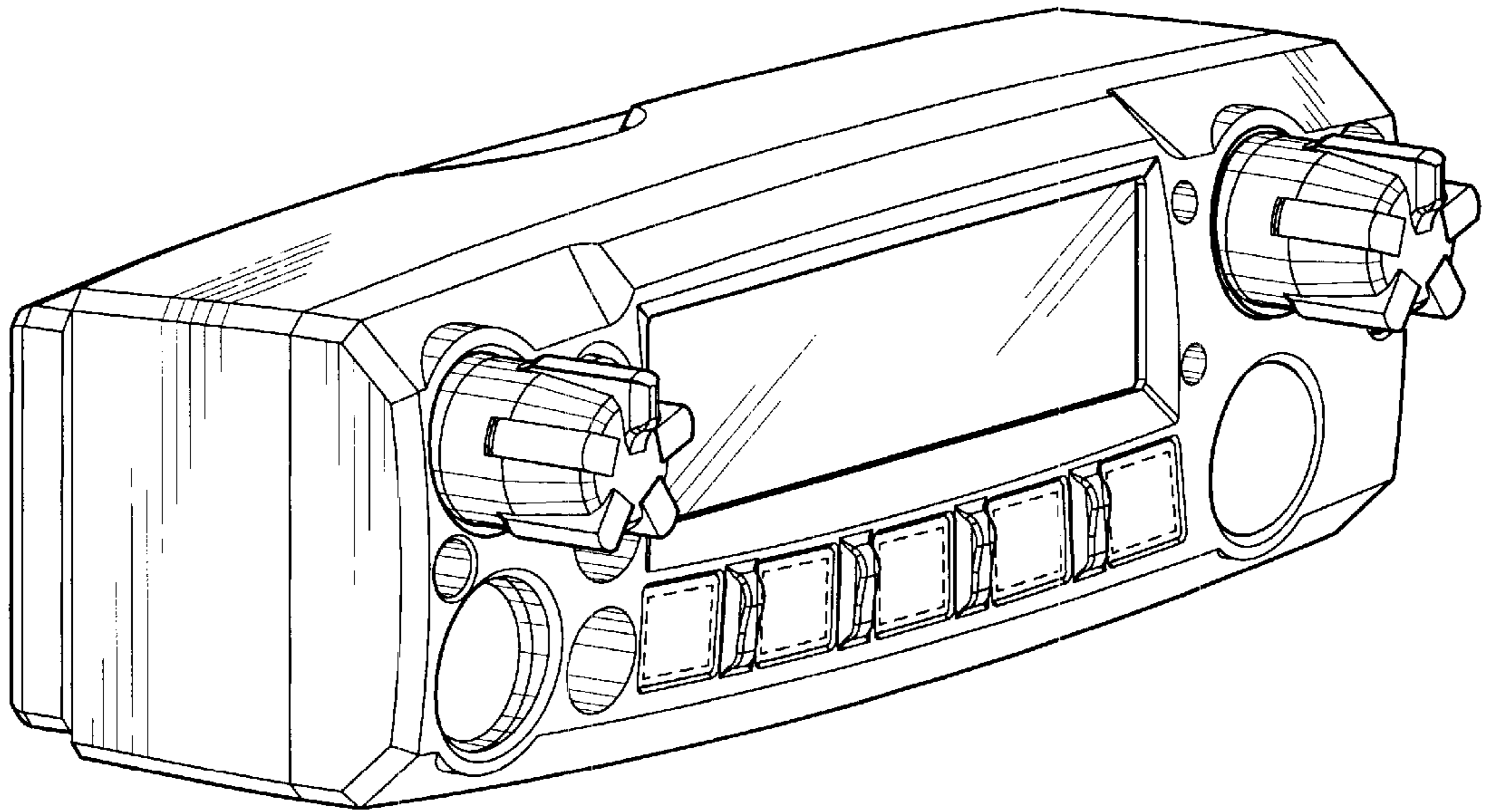
**DESCRIPTION**

FIG. 1 is an isometric view a mobile control head showing our new design;  
FIG. 2 is a front elevational view thereof;  
FIG. 3 is a top plan view thereof;  
FIG. 4 is a bottom plan view thereof;  
FIG. 5 is a left elevational view thereof; and,  
FIG. 6 is a right elevational view thereof.  
FIGS. 3 and 4 are on a reduced scale and FIGS. 5 and 6 are on an enlarged scale.

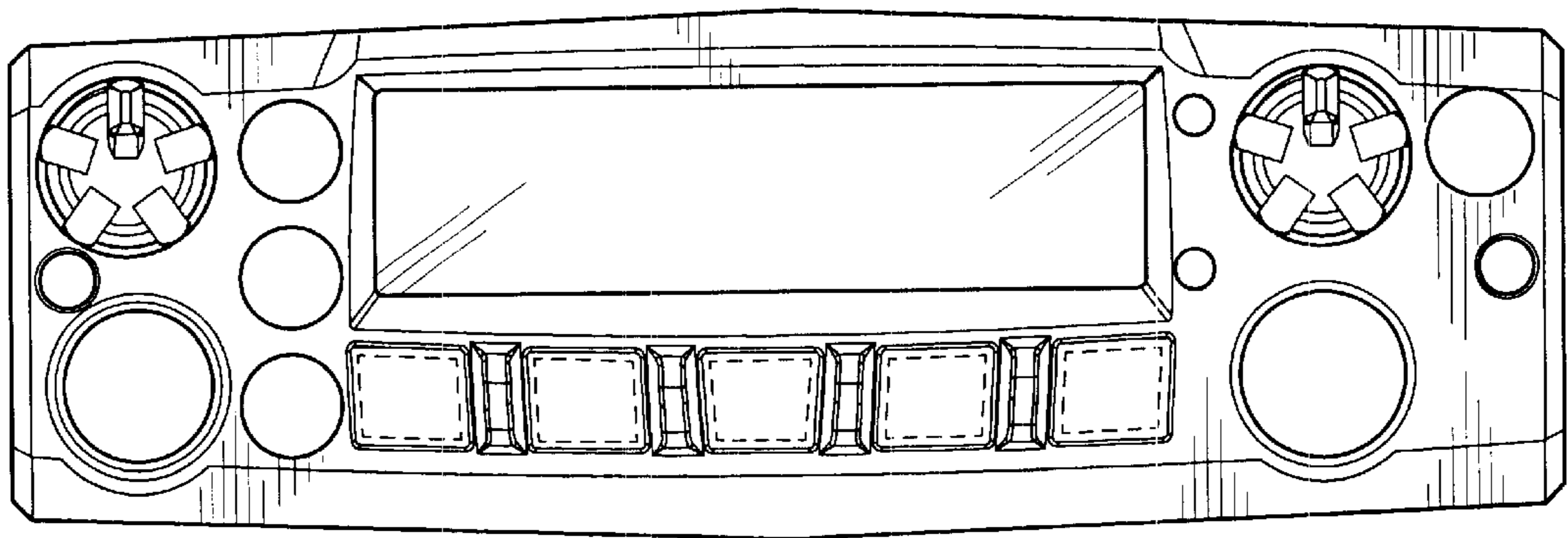
The broken lines shown in FIGS. 1 and 2 are included for the purpose of illustrating environmental elements only and form no part of the claimed design.

**1 Claim, 3 Drawing Sheets**

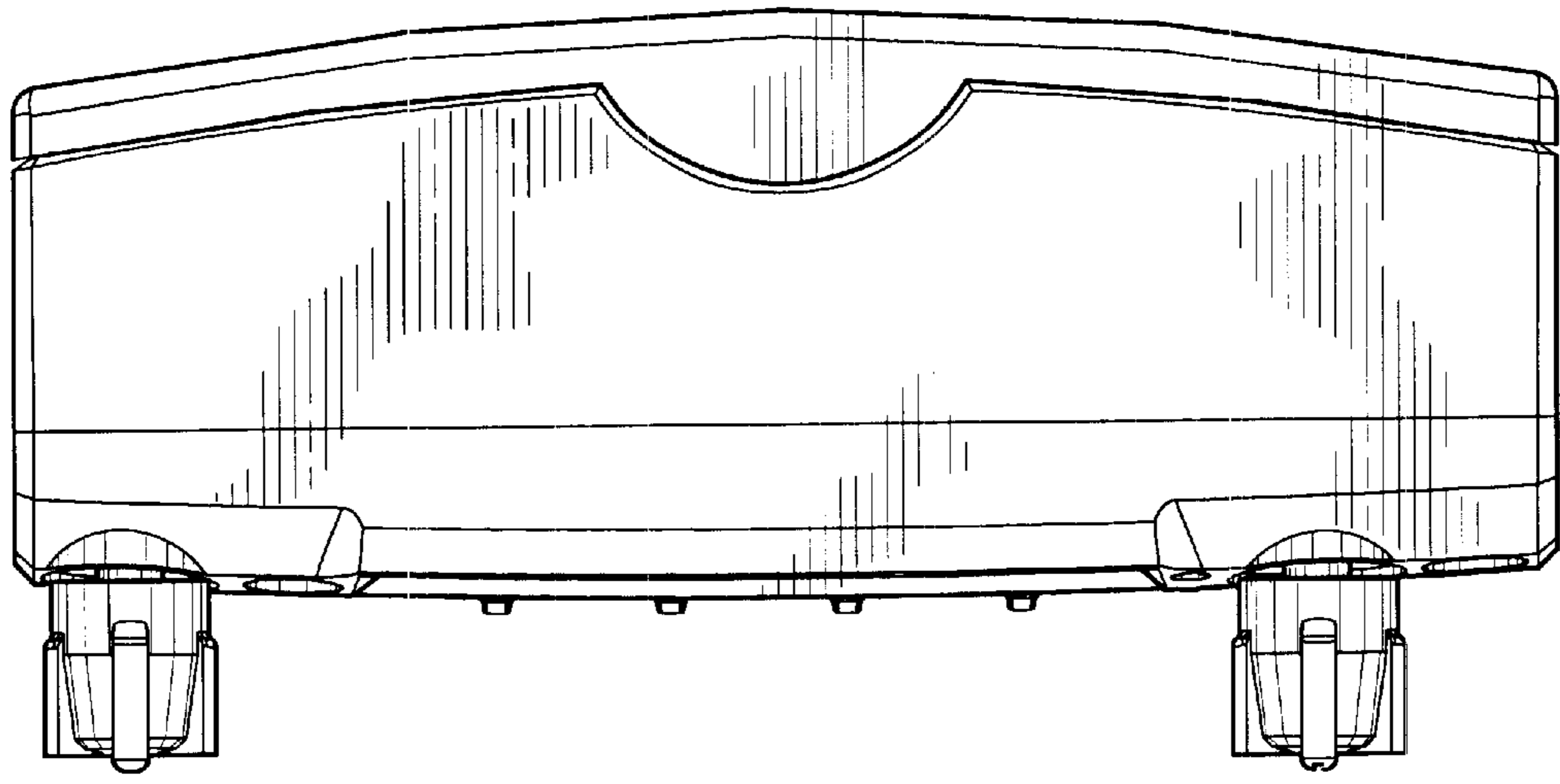




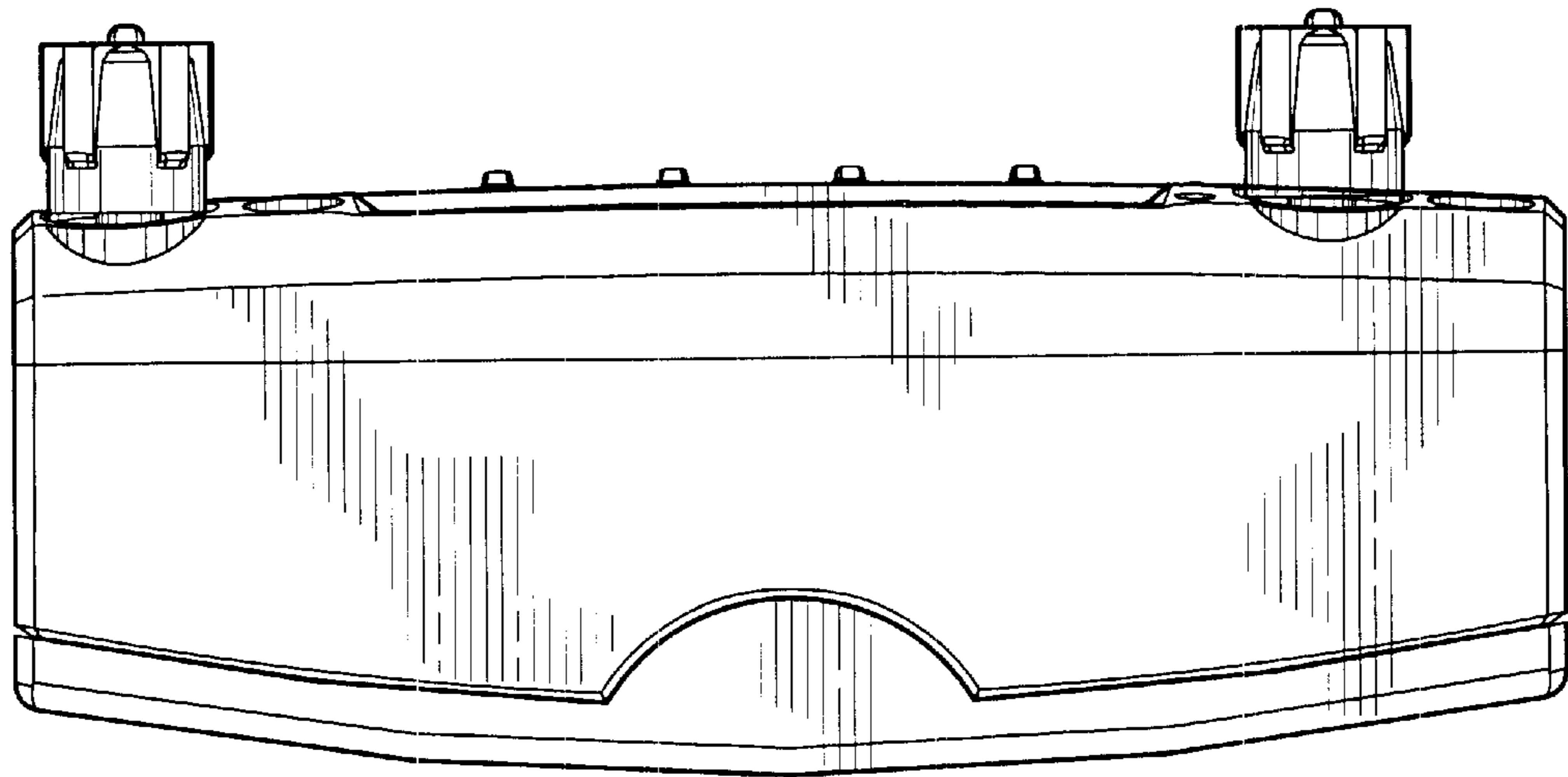
*FIG. 1*



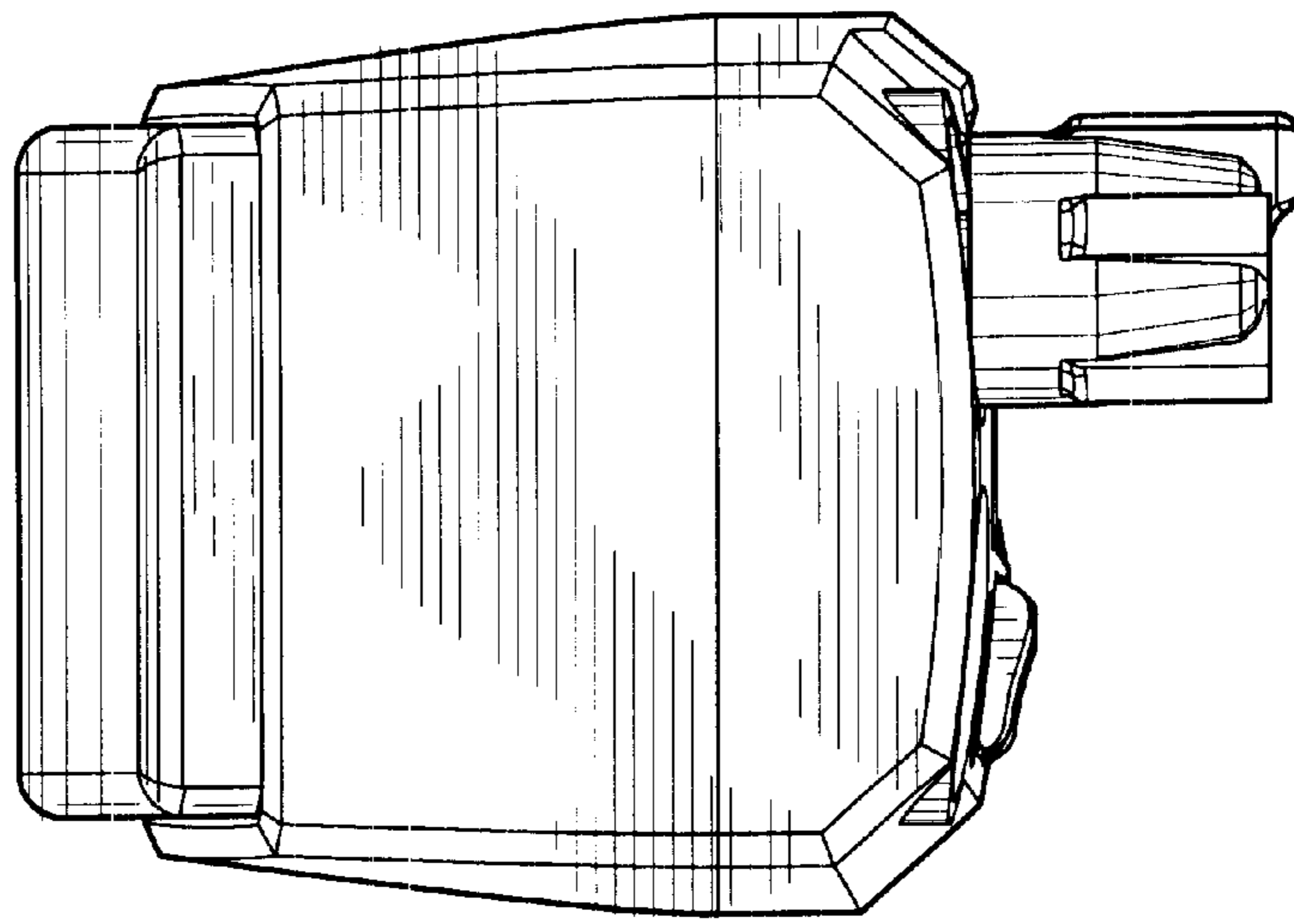
*FIG. 2*



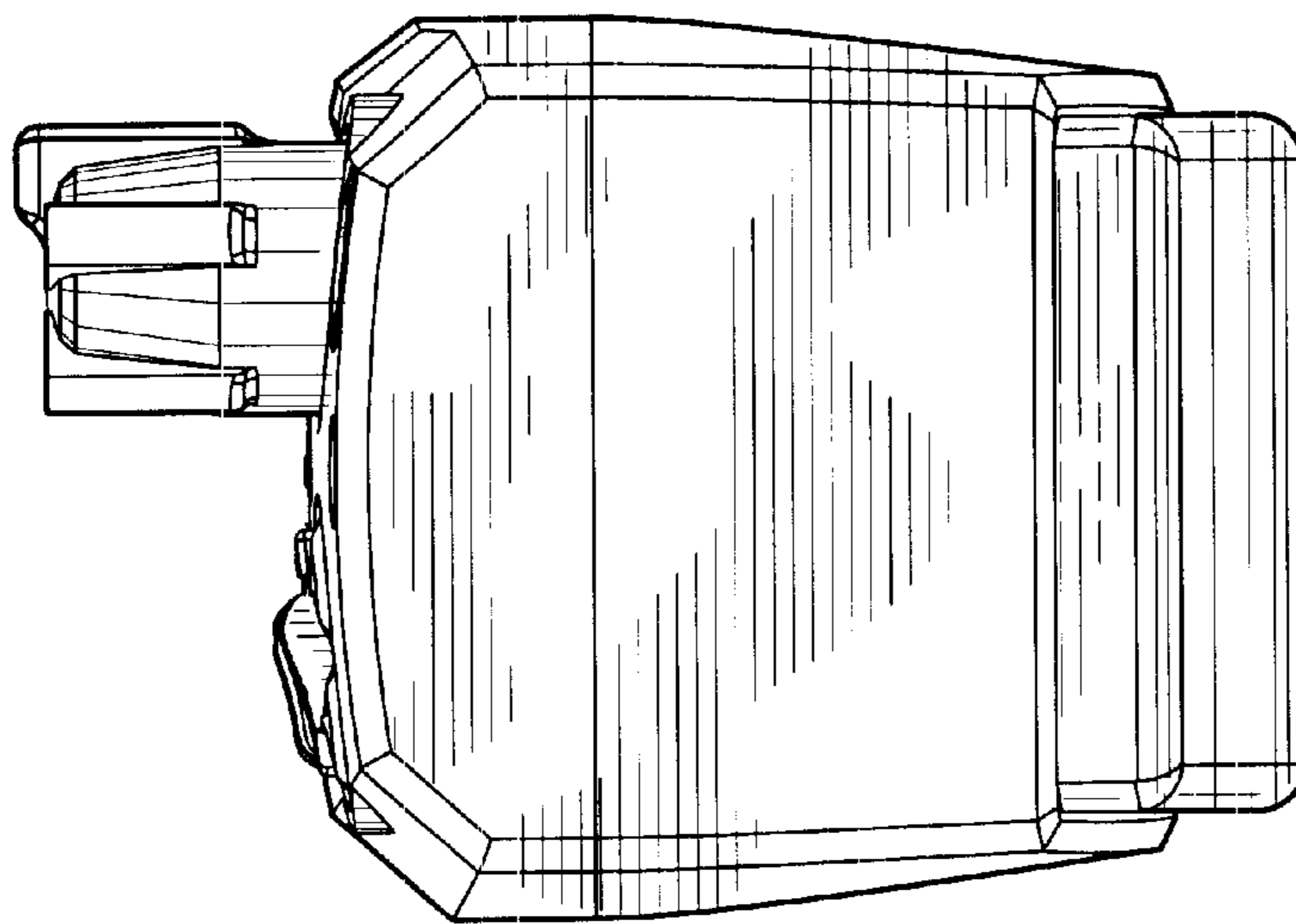
*FIG. 3*



*FIG. 4*



*FIG. 5*



*FIG. 6*