



US00D483343S

(12) **United States Design Patent**
Seshita

(10) **Patent No.:** **US D483,343 S**

(45) **Date of Patent:** **** Dec. 9, 2003**

(54) **CONTROL PANEL FOR COMBINED
VEHICULAR RADIO RECEIVER AND
COMPACT DISC PLAYER**

5,285,500 A	*	2/1994	Mantz	455/346
D360,206 S	*	7/1995	Williams	D14/157
D407,705 S	*	4/1999	Bryant	D14/157
D450,678 S	*	11/2001	Mizokawa et al.	D14/157
D453,505 S	*	2/2002	Davis et al.	D14/157

(75) Inventor: **Satoshi Seshita**, Tokyo (JP)

* cited by examiner

(73) Assignee: **Clarion Co., Ltd.**, Tokyo (JP)

Primary Examiner—Prabhakar Deshmukh

(**) Term: **14 Years**

(74) *Attorney, Agent, or Firm*—Chapman and Cutler LLP

(21) Appl. No.: **29/163,585**

(57) **CLAIM**

(22) Filed: **Jul. 3, 2002**

The ornamental design for a control panel for combined vehicular radio receiver and compact disc player, as shown and described.

(51) **LOC (7) Cl.** **14-03**

(52) **U.S. Cl.** **D14/157; D14/217**

(58) **Field of Search** D14/135, 136,
D14/156, 157, 160, 162, 164, 168, 188,
197, 198, 225, 226, 257, 258, 265; 369/75.1,
75.2, 77.1, 77.2; 455/344, 347, 348, 350,
351

DESCRIPTION

(56) **References Cited**

U.S. PATENT DOCUMENTS

4,676,619 A	*	6/1987	Wooley	455/344
4,940,414 A	*	7/1990	Lee	D14/157 X
5,146,618 A	*	9/1992	Wenner	455/347
D335,495 S	*	5/1993	Lee	D14/157

FIG. 1 is a perspective view of a control panel for combined vehicular radio receiver and compact disc player, showing my new design;

FIG. 2 is a front elevational view thereof;

FIG. 3 is a bottom plan view thereof;

FIG. 4 is a left side elevational view thereof;

FIG. 5 is a top plan view thereof; and,

FIG. 6 is a right side elevational view thereof.

The broken lines in the drawings are for illustrative purposes and form no part of the claimed design.

1 Claim, 3 Drawing Sheets

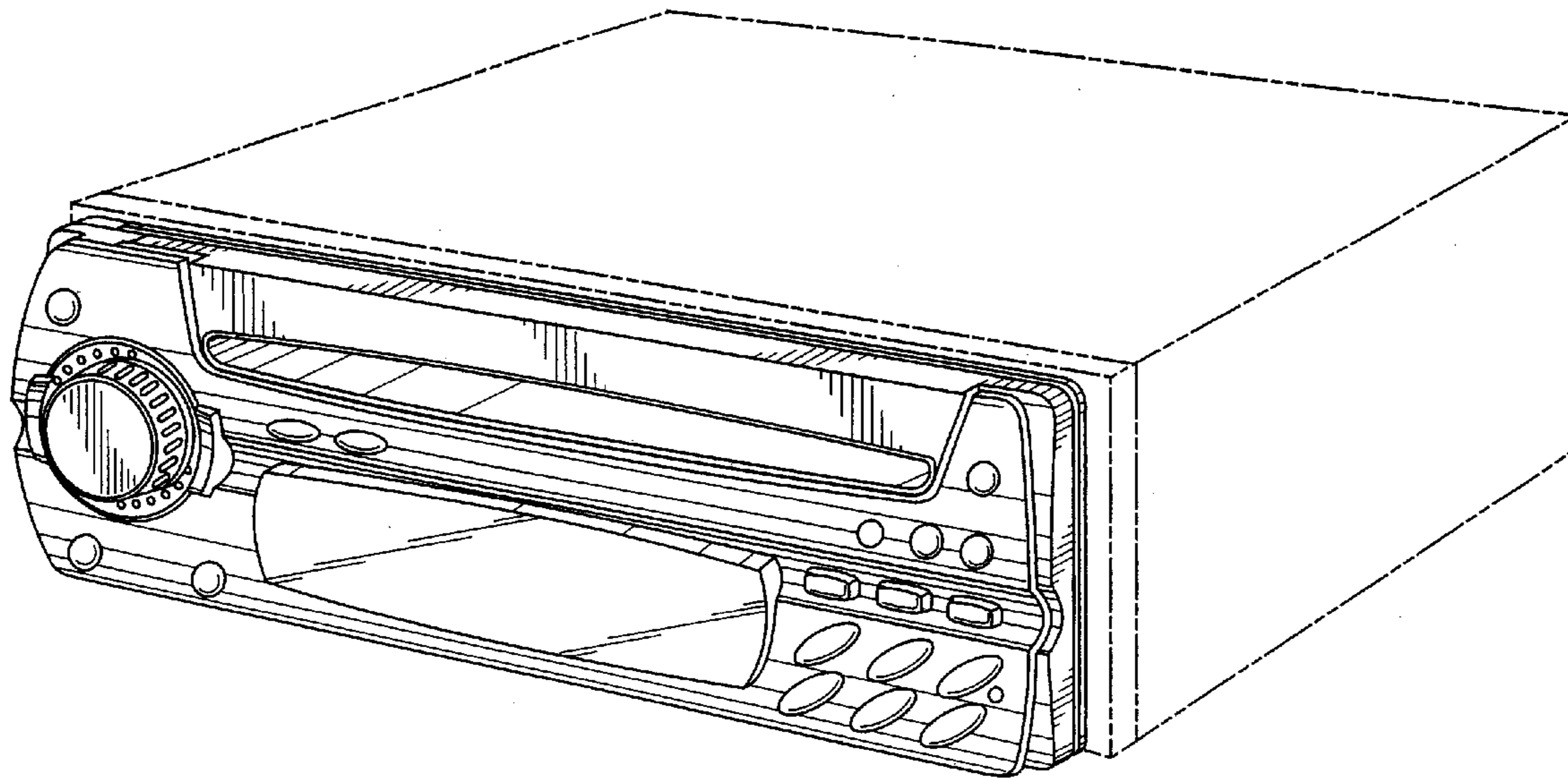


Fig. 1

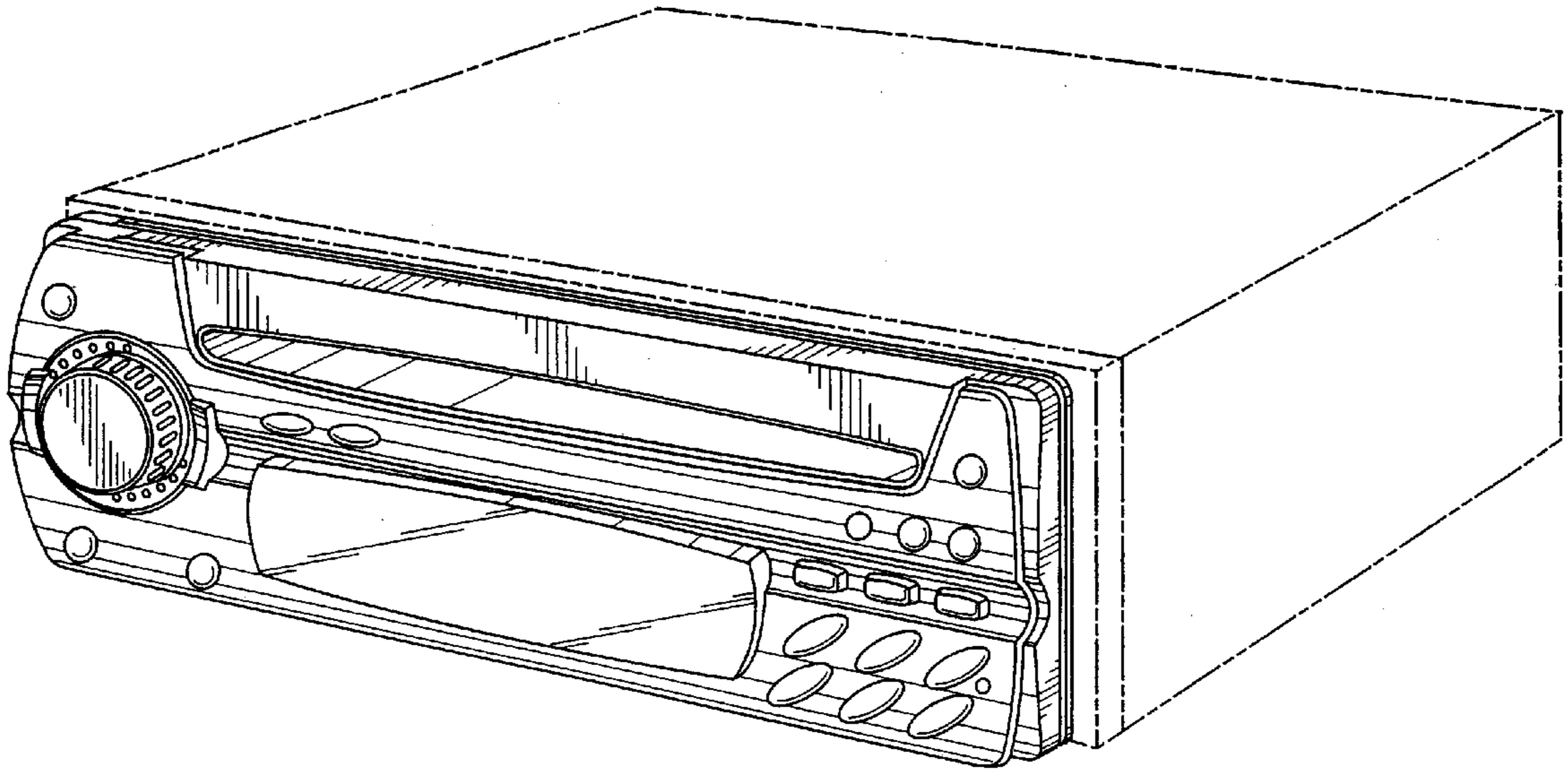


Fig. 2

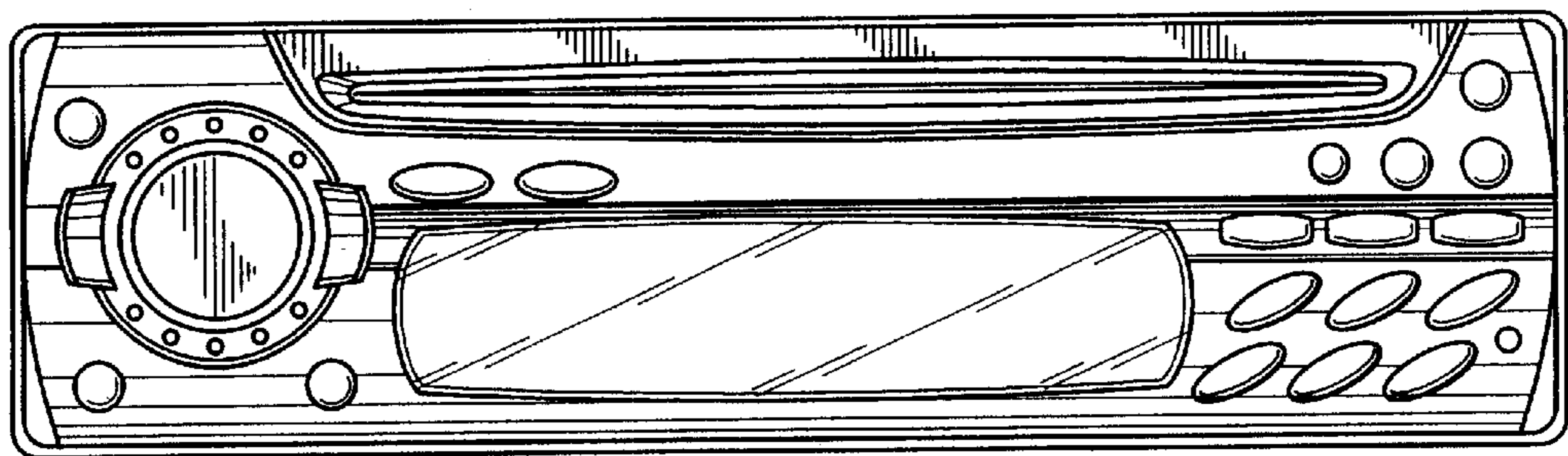


Fig. 3

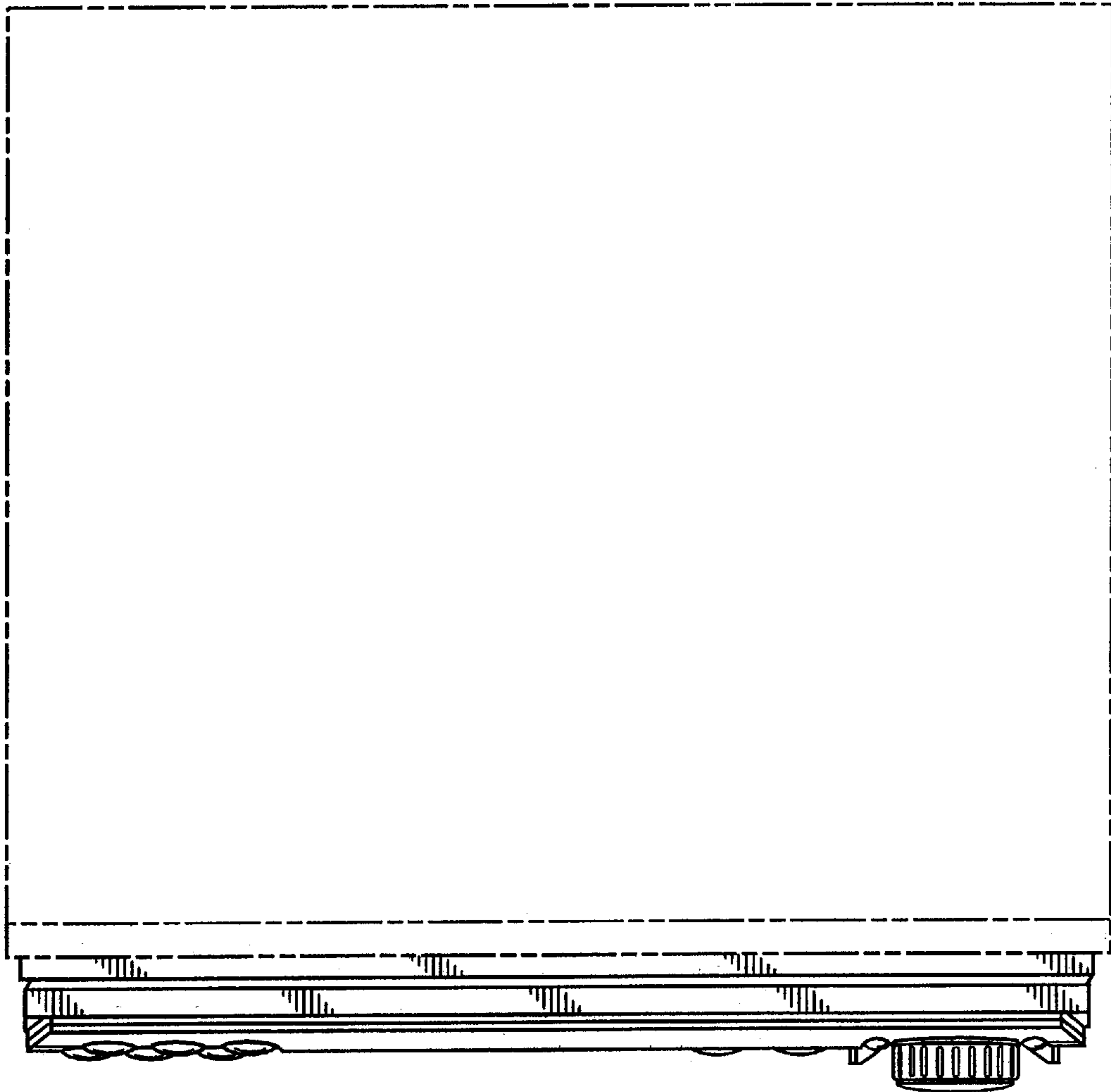


Fig. 4

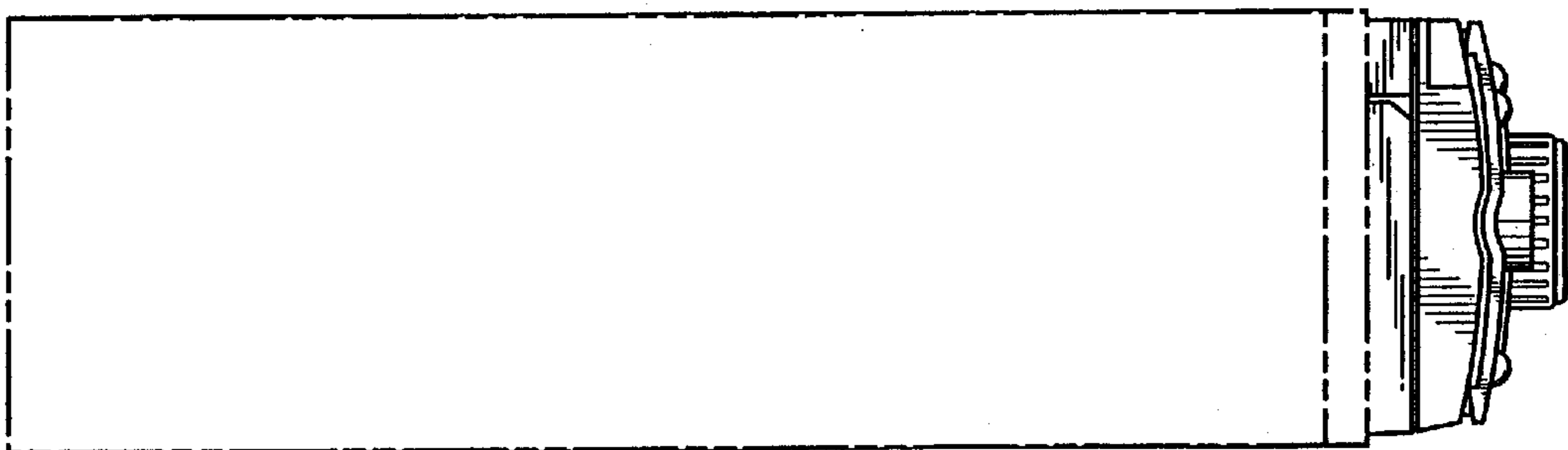


Fig. 5

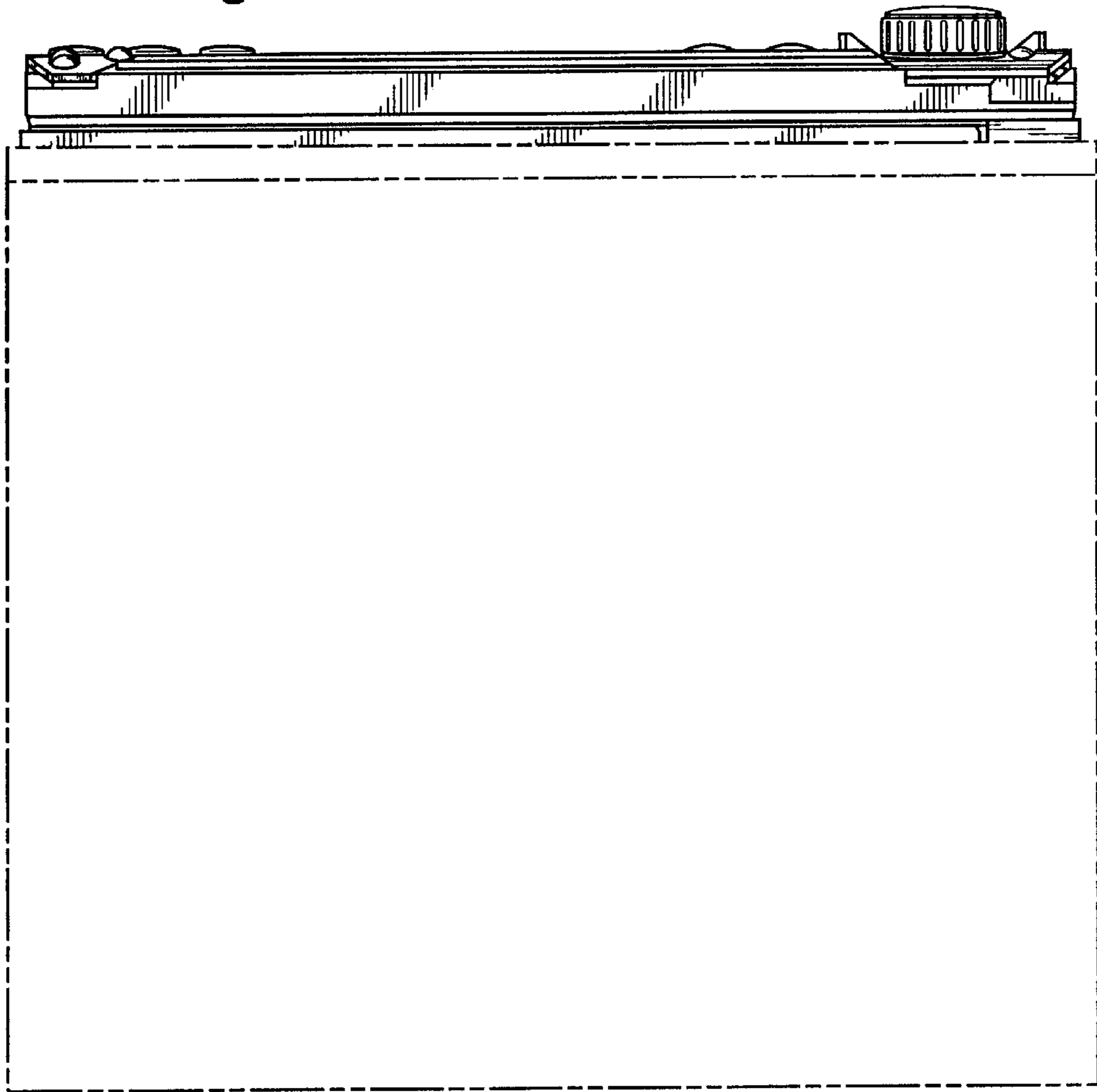


Fig. 6

