



US00D483340S

(12) **United States Design Patent**
Deguchi et al.

(10) **Patent No.:** **US D483,340 S**

(45) **Date of Patent:** **** Dec. 9, 2003**

(54) **ELECTRONIC SWITCHING EQUIPMENT**

(75) Inventors: **Masaru Deguchi**, Tokyo (JP); **Hideki Kanamori**, Tokyo (JP); **Muneyoshi Mikuni**, Tokyo (JP)

(73) Assignee: **NEC Corporation**, Tokyo (JP)

(**) Term: **14 Years**

(21) Appl. No.: **29/173,134**

(22) Filed: **Dec. 24, 2002**

(30) **Foreign Application Priority Data**

Jul. 4, 2002 (JP) 2002-018060

(51) **LOC (7) Cl.** **13-03**

(52) **U.S. Cl.** **D13/184; D13/158**

(58) **Field of Search** D13/133, 147, D13/158, 184; D14/240, 356; 174/17 R, 50, 51, 52.1, 65 R; 361/271, 274.3, 600-679, 683, 685, 692, 696, 709, 724, 730, 735, 736, 752, 763, 784, 796, 816, 829; 455/347

(56) **References Cited**

U.S. PATENT DOCUMENTS

D330,888 S * 11/1992 Worley D13/184

D367,042 S * 2/1996 Morrow et al. D13/184
D402,641 S * 12/1998 Heijnen D13/184
D433,677 S * 11/2000 Tsuge et al. D14/240
D474,771 S * 5/2003 Deguchi et al. D14/433

* cited by examiner

Primary Examiner—Philip S. Hyder

Assistant Examiner—Selina Sikder

(74) *Attorney, Agent, or Firm*—Sughrue Mion, PLLC

(57) **CLAIM**

The ornamental design for an electronic switching equipment, as shown and described.

DESCRIPTION

FIG. 1 is a perspective view of the top, front and right side of an electronic switching equipment showing our new design;

FIG. 2 is a front elevational view thereof;

FIG. 3 is a rear elevational view thereof;

FIG. 4 is a bottom plan view thereof;

FIG. 5 is a top plan view thereof;

FIG. 6 is a right side elevational view thereof; and,

FIG. 7 is a left side elevational view thereof.

1 Claim, 4 Drawing Sheets

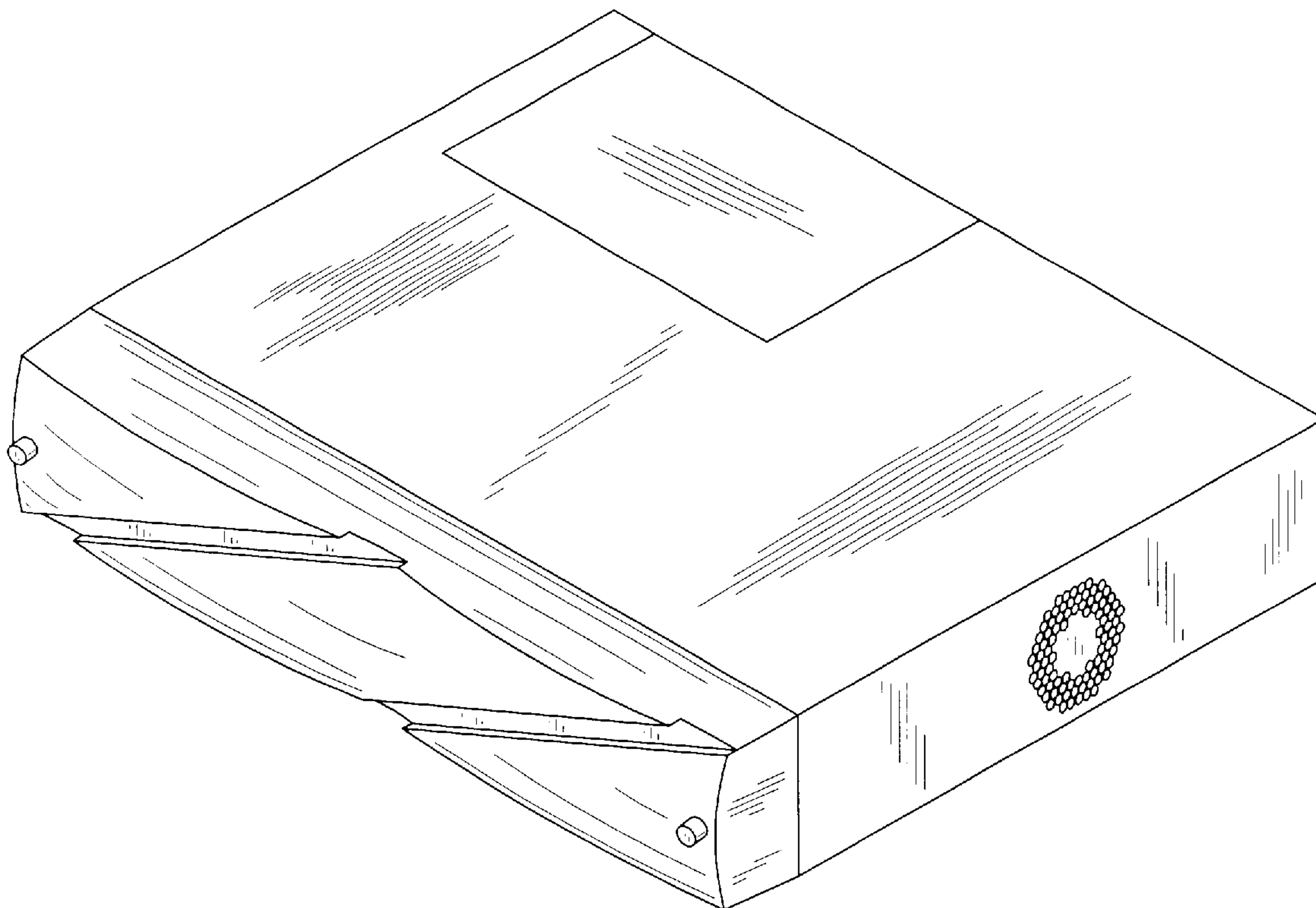


FIG. 1

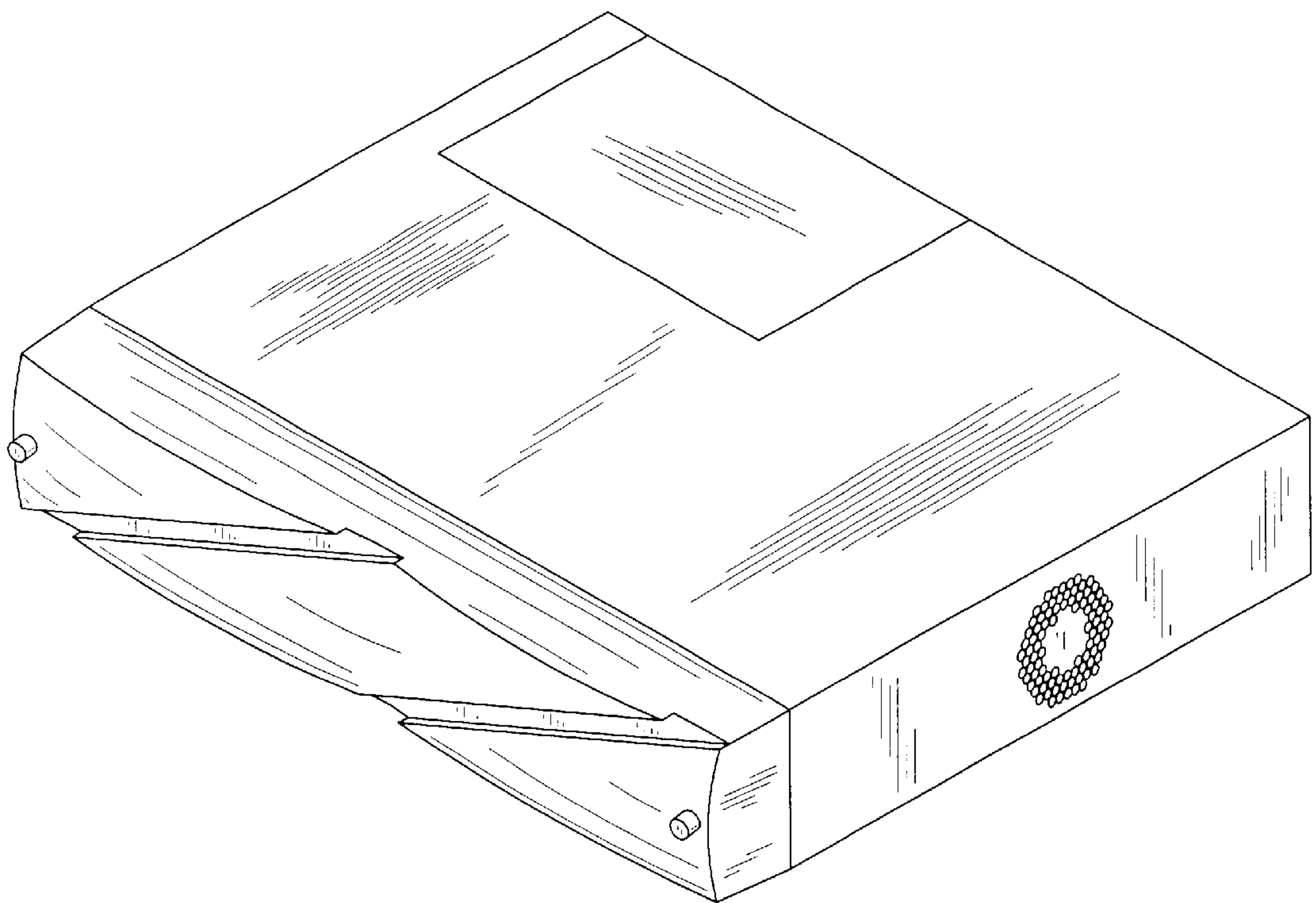


FIG. 2

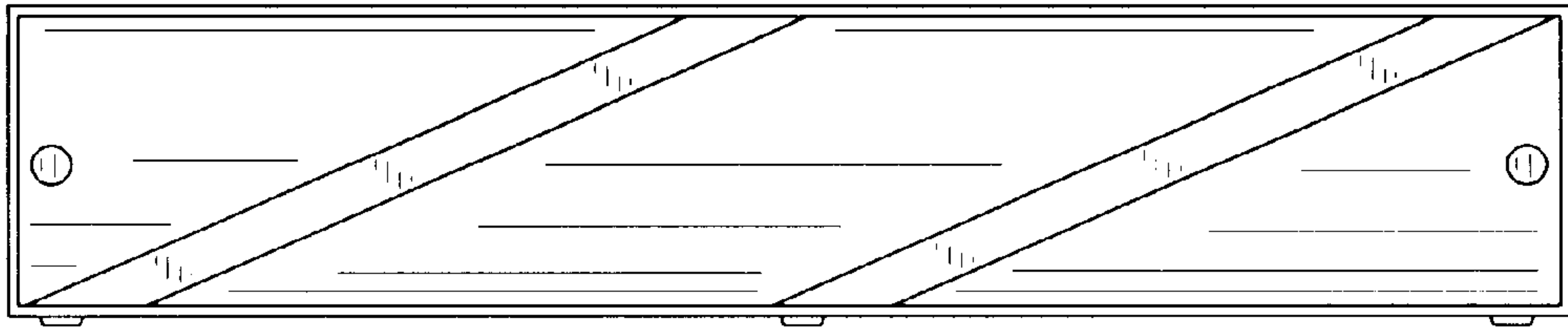


FIG. 3

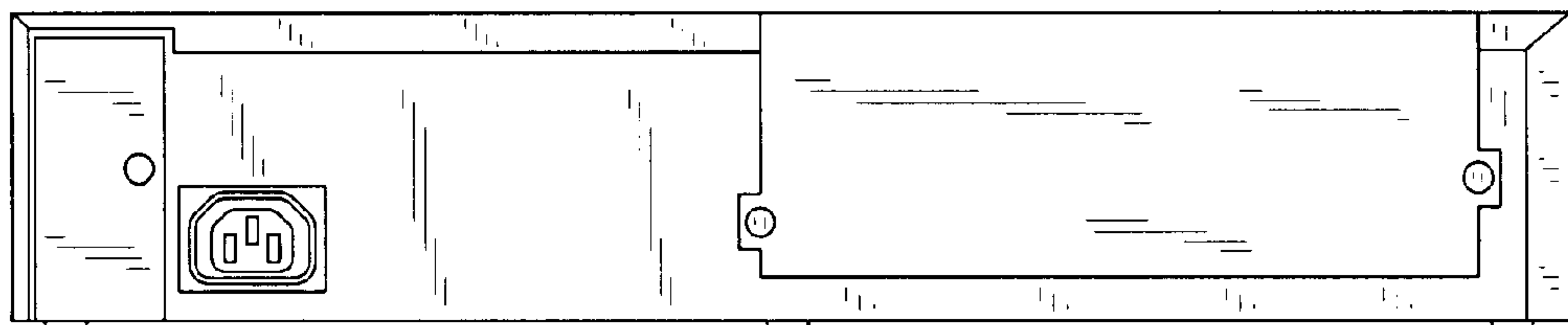


FIG. 4

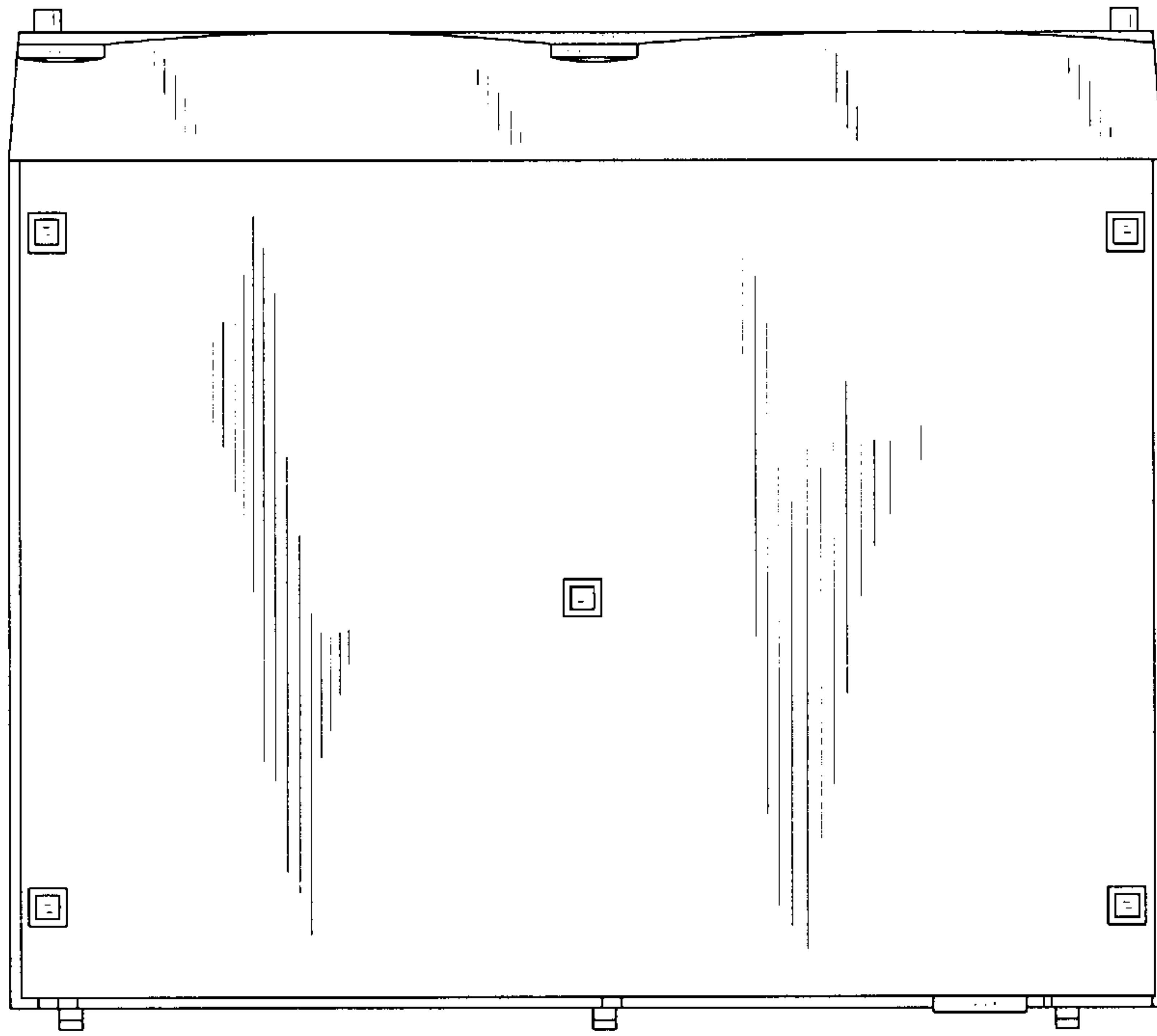


FIG. 5

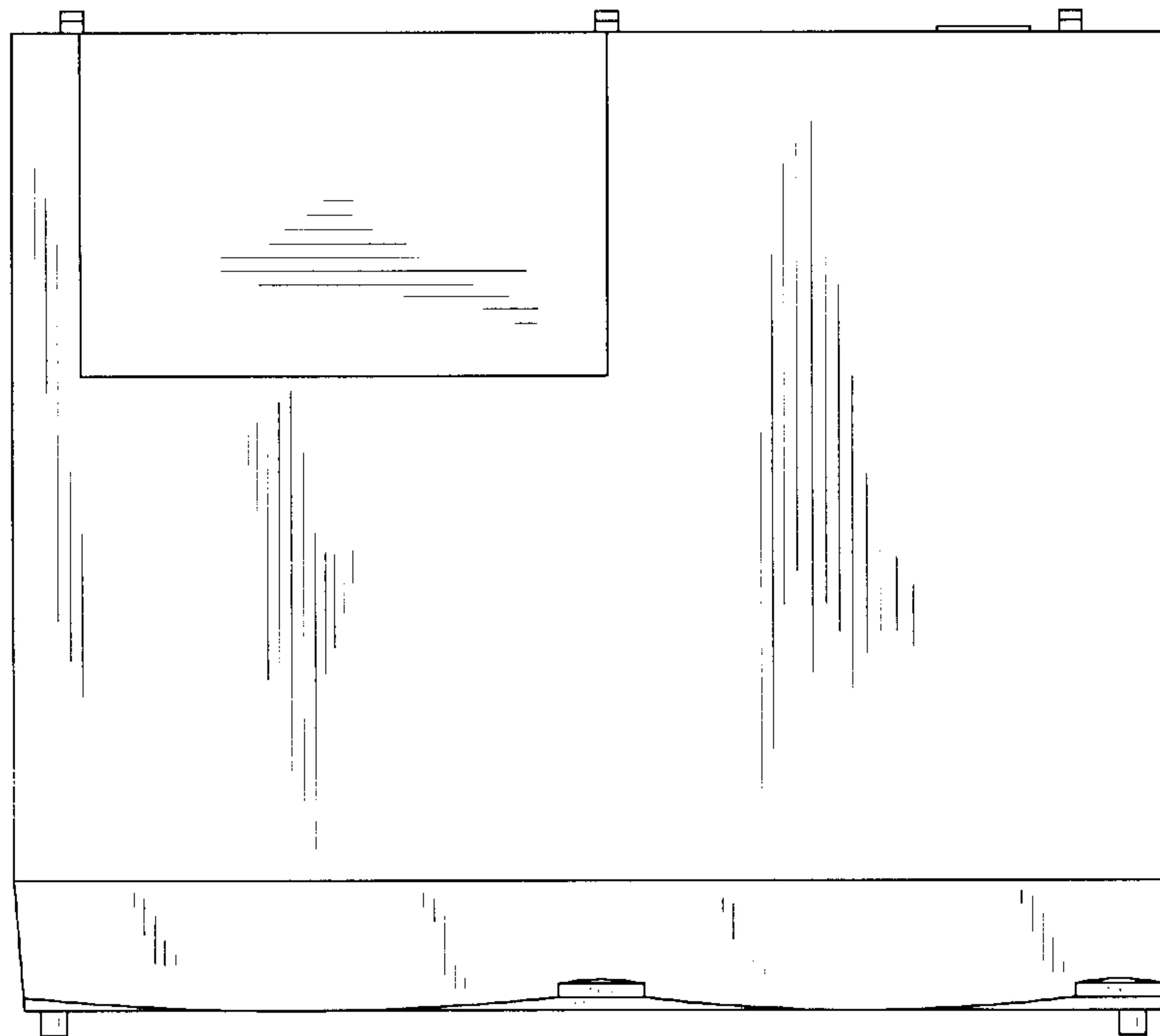


FIG. 6

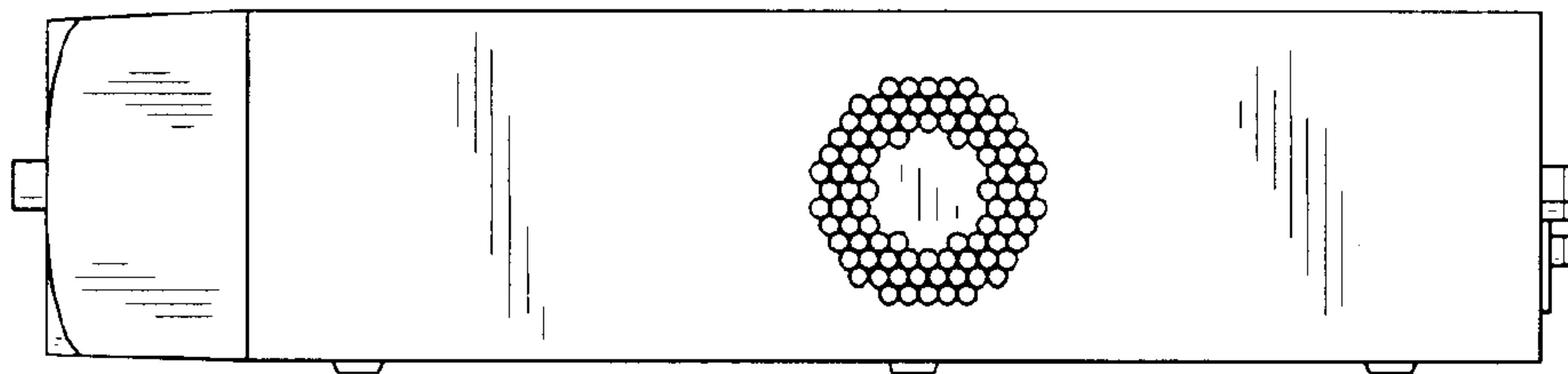


FIG. 7

