



US00D483339S

(12) **United States Design Patent**
Higgins

(10) **Patent No.:** **US D483,339 S**

(45) **Date of Patent:** **** Dec. 9, 2003**

(54) **PEDESTAL FOR ELECTRICAL HOUSING**

(76) **Inventor:** **William Ray Higgins**, 3037 Haverhill Rd., W. Palm Beach, FL (US) 33407

(**) **Term:** **14 Years**

(21) **Appl. No.:** **29/156,460**

(22) **Filed:** **Mar. 4, 2002**

(51) **LOC (7) Cl.** **13-03**

(52) **U.S. Cl.** **D13/184**

(58) **Field of Search** D13/184, 199;
D6/432; D8/373; D21/506; D25/38, 39,
42, 43, 122, 125, 126, 130, 132, 152; 52/169.9;
174/16.1, 37, 38, 45 R, 50, 52.1; 200/50.18;
239/169.9; 256/22; 220/3.8, 4.02, 242;
361/23, 601, 622, 643, 664, 672

(56) **References Cited**

U.S. PATENT DOCUMENTS

- 3,212,754 A * 10/1965 Revell et al. 256/22
- 3,614,538 A * 10/1971 Nickola 361/601
- 3,872,234 A * 3/1975 Smith 174/38
- 4,130,272 A * 12/1978 Emmie 256/22
- 4,167,079 A * 9/1979 Reiter 47/33
- 4,625,948 A * 12/1986 Lustvee 256/72

- D346,792 S * 5/1994 Tessmer D13/184
- D359,130 S * 6/1995 Northrop et al. D25/42
- 5,531,427 A * 7/1996 Quarles 256/22
- D423,684 S * 4/2000 Olivera et al. D25/43
- 6,198,041 B1 * 3/2001 Leschinger et al. 174/38

* cited by examiner

Primary Examiner—Ted Shooman

Assistant Examiner—Selina Sikder

(74) *Attorney, Agent, or Firm*—McHale & Slavin, P.A.

(57) **CLAIM**

The ornamental design for a pedestal for electrical housing, as shown and described.

DESCRIPTION

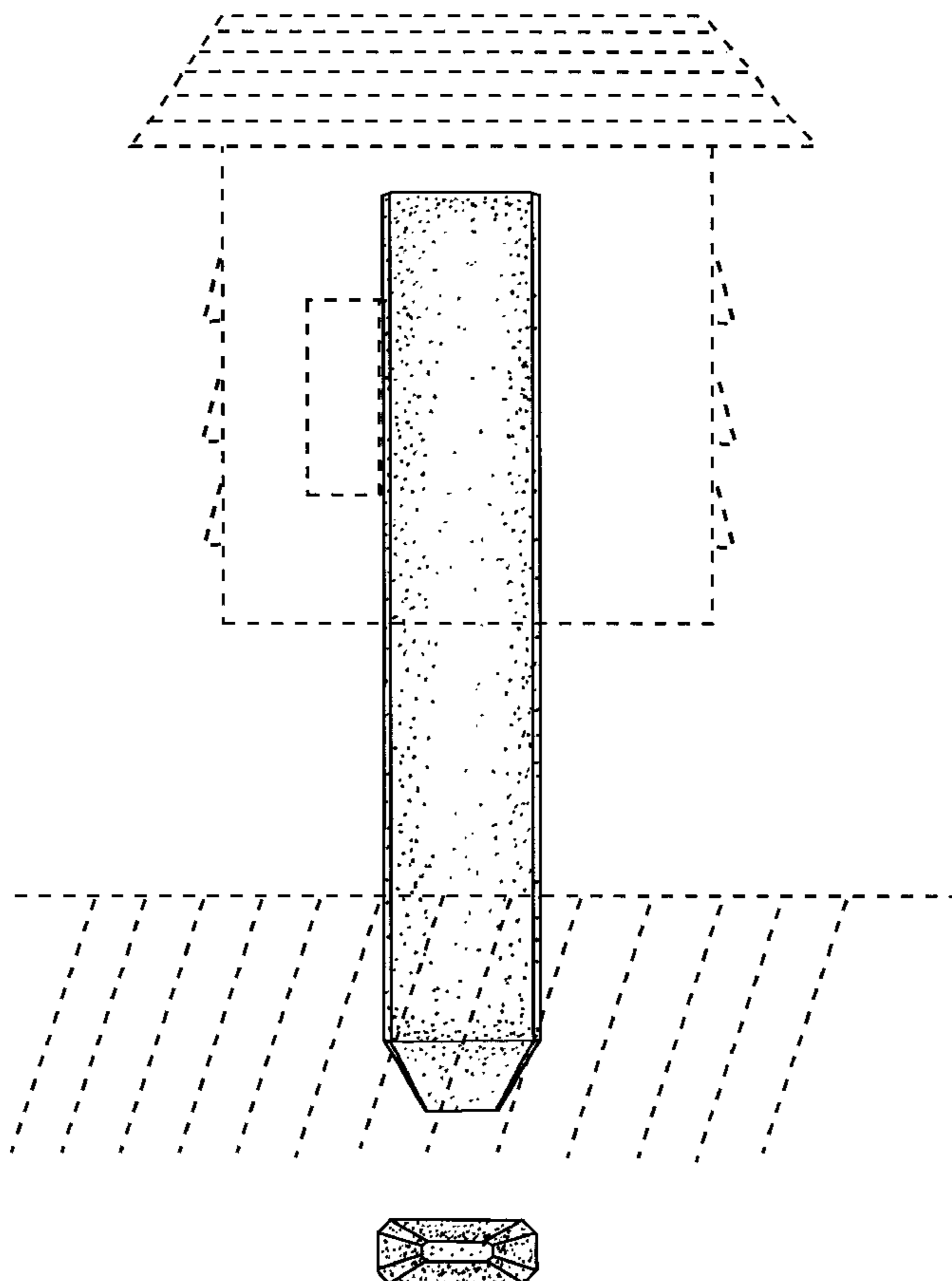
FIG. 1 is a front elevation view of the pedestal for electrical housing showing my new design, the broken line showing of the environment is for illustrative purpose only and form no part of the claimed design;

FIG. 2 is a front elevational view of the pedestal of FIG. 1, the opposite side view being a mirror image thereof;

FIG. 3 is a left side elevational view of the pedestal of FIG. 1, the opposite side view being a mirror image thereof;

FIG. 4 is a bottom plan view of the pedestal of FIG. 1; and, FIG. 5 is a top plan view of the pedestal of FIG. 1.

1 Claim, 2 Drawing Sheets



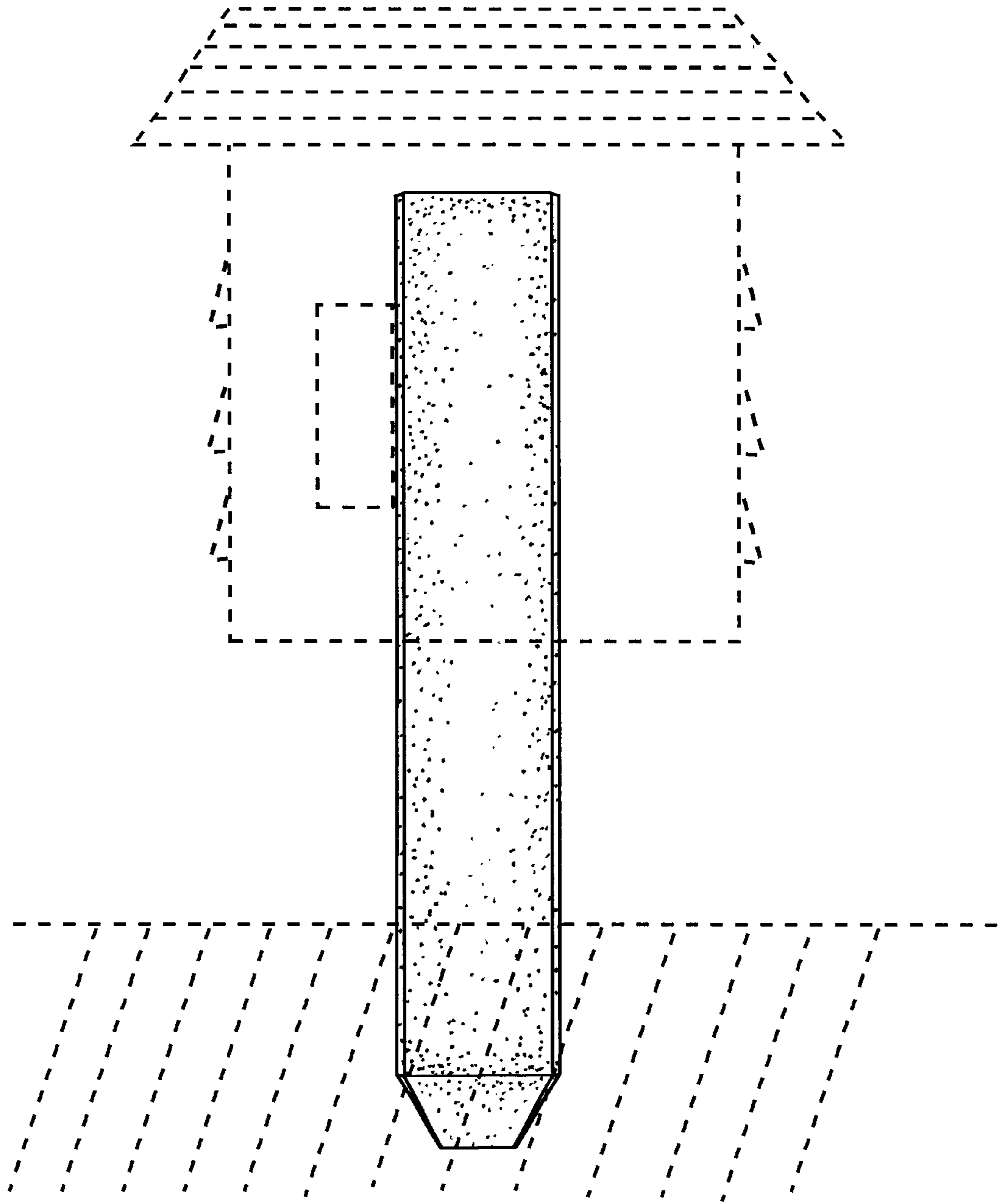


FIG. 1

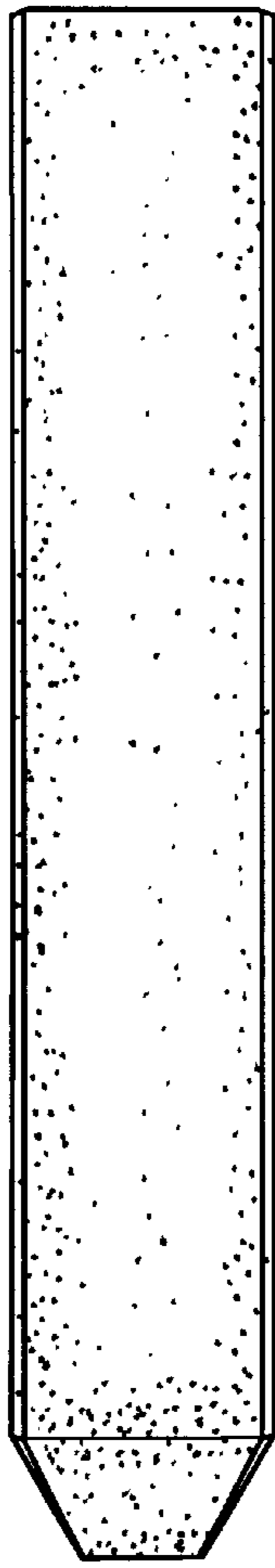


FIG. 2



FIG. 3



FIG. 4



FIG. 5