



US00D483335S

(12) **United States Design Patent** (10) **Patent No.:** **US D483,335 S**
Bugel et al. (45) **Date of Patent:** **** Dec. 9, 2003**

(54) **INTEGRAL ACTUATOR WITH FOLDED-BACK ARMS**

(75) Inventors: **John A. Bugel**, Largo, FL (US); **Jeff Moler**, Sarasota, FL (US)

(73) Assignee: **Viking Technologies, L.C.**, Sarasota, FL (US)

(**) Term: **14 Years**

(21) Appl. No.: **29/162,699**

(22) Filed: **Jun. 19, 2002**

(51) **LOC (7) Cl.** **13-03**

(52) **U.S. Cl.** **D13/166**

(58) **Field of Search** D8/354; D13/166, D13/173; 141/383, 386; 123/90.11, 90.12, 90.13, 90.16; 137/596, 596.17, 599.01, 601.14, 625.44, 625.65; 251/129.06, 129.15, 356

(56) **References Cited**

U.S. PATENT DOCUMENTS

3,558,936	A	1/1971	Horan	
3,649,857	A	3/1972	Knappe	
D241,612	S	* 9/1976	Matousek et al. D8/354
4,435,666	A	3/1984	Fukui et al.	
4,460,840	A	7/1984	Weiger et al.	
4,570,095	A	2/1986	Uchikawa	
D283,506	S	* 4/1986	Jencks D13/173
4,647,808	A	3/1987	Shibuya	
4,675,568	A	6/1987	Uchikawa et al.	
4,703,215	A	10/1987	Asano	
4,736,131	A	4/1988	Fujimoto	
4,777,398	A	10/1988	Shibuya	
4,783,610	A	11/1988	Asano	
4,874,978	A	10/1989	Sakaida et al.	
4,874,980	A	10/1989	Mine et al.	
4,929,859	A	5/1990	Suzuki et al.	
4,937,489	A	6/1990	Hattori et al.	
4,979,275	A	12/1990	Sakaida et al.	
5,028,834	A	7/1991	Sakaida et al.	
5,191,252	A	3/1993	Sano	
5,343,894	A	* 9/1994	Frisch et al. 137/625.65
RE34,823	E	1/1995	Sakaida et al.	

5,410,206	A	4/1995	Luecke et al.	
5,479,064	A	12/1995	Sano	
5,712,524	A	1/1998	Suga	
5,881,767	A	3/1999	Loser	
6,025,671	A	2/2000	Boecking	
6,129,115	A	* 10/2000	Janssen et al. 137/625.65
6,131,879	A	10/2000	Kluge et al.	
6,286,484	B1	* 9/2001	Niethammer et al. 123/447
6,328,005	B1	* 12/2001	Klausnitzer et al. 123/90.11
6,433,662	B1	* 8/2002	Ikoma et al. 335/256

* cited by examiner

Primary Examiner—Ted Shooman

Assistant Examiner—Selina Sikder

(74) *Attorney, Agent, or Firm*—Young & Basile, P.C.

(57) **CLAIM**

The ornamental design for a integral actuator with folded-back arms, as shown and described.

DESCRIPTION

The present invention is characterized by an ornamental design for an integral actuator with folded-back arms for moving parts of a clamp, valve, or motor with respect to one another in response to electrical activation of a piezoelectric actuator.

FIG. 1 is a perspective view of the ornamental design according to the present invention,

FIG. 2 is a side elevational view of the ornamental design according to the present invention, where the opposite side elevational view is a mirror image thereof,

FIG. 3 is a plan view of the ornamental design according to the present invention, where the bottom view is identical thereto,

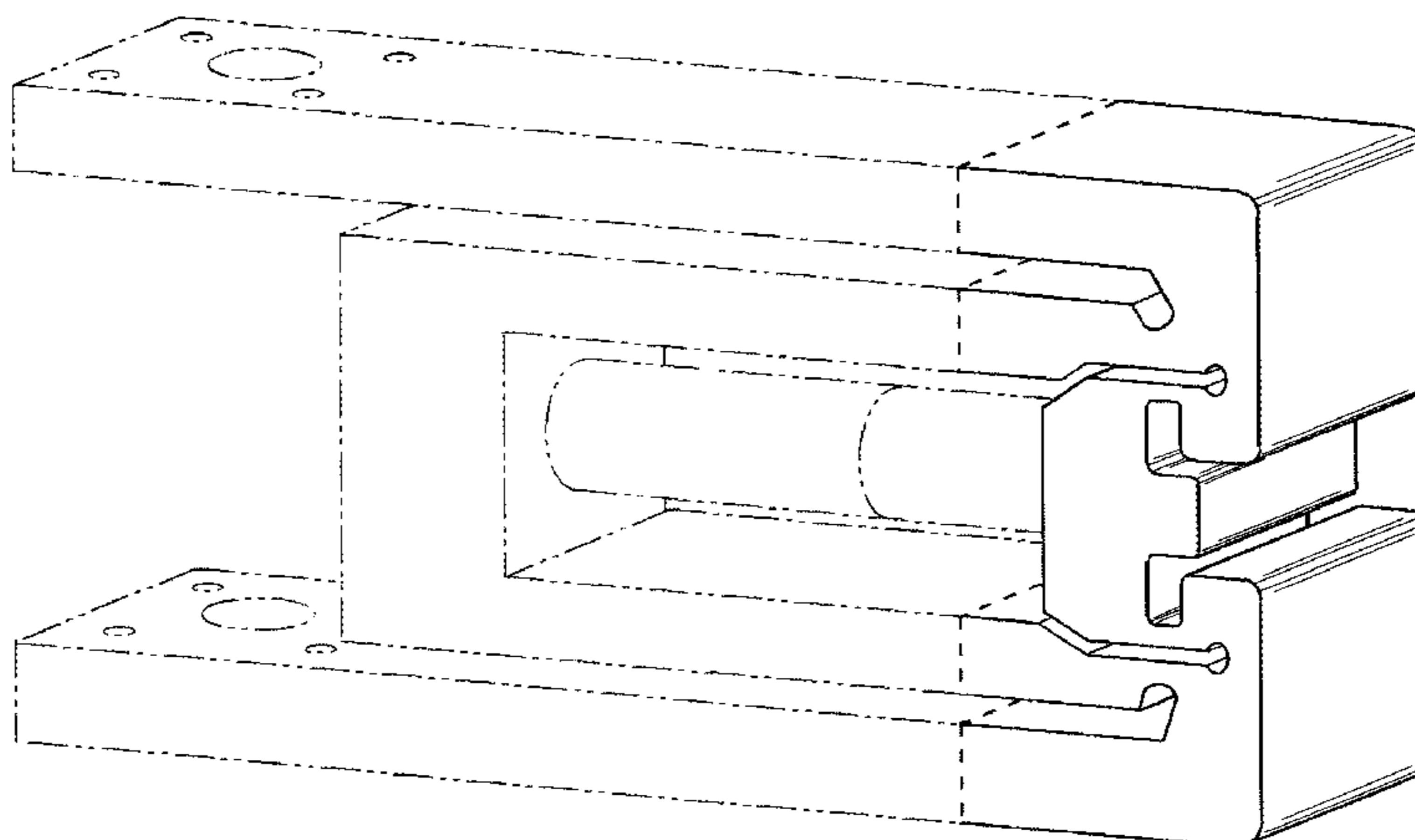
FIG. 4 is a right hand elevational view of the ornamental design according to the present invention as shown in FIG. 2; and,

FIG. 5 is a left hand elevational view of the ornamental design according to the present invention.

The broken lines which define the bounds of the claimed design form no part thereof.

The broken line showing of the environment is for illustrative purpose only and forms no part of the claimed design.

1 Claim, 2 Drawing Sheets



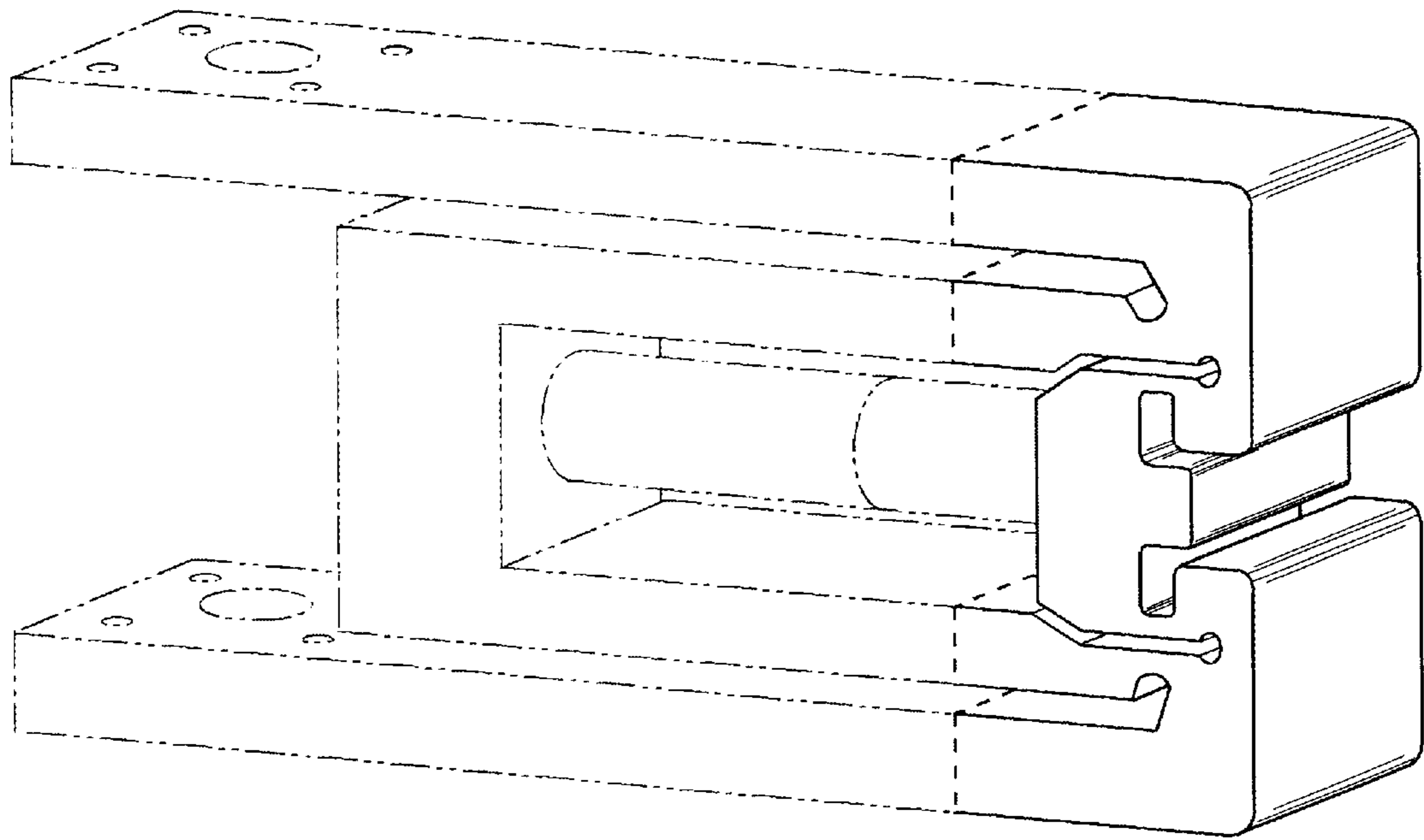


FIG - 1

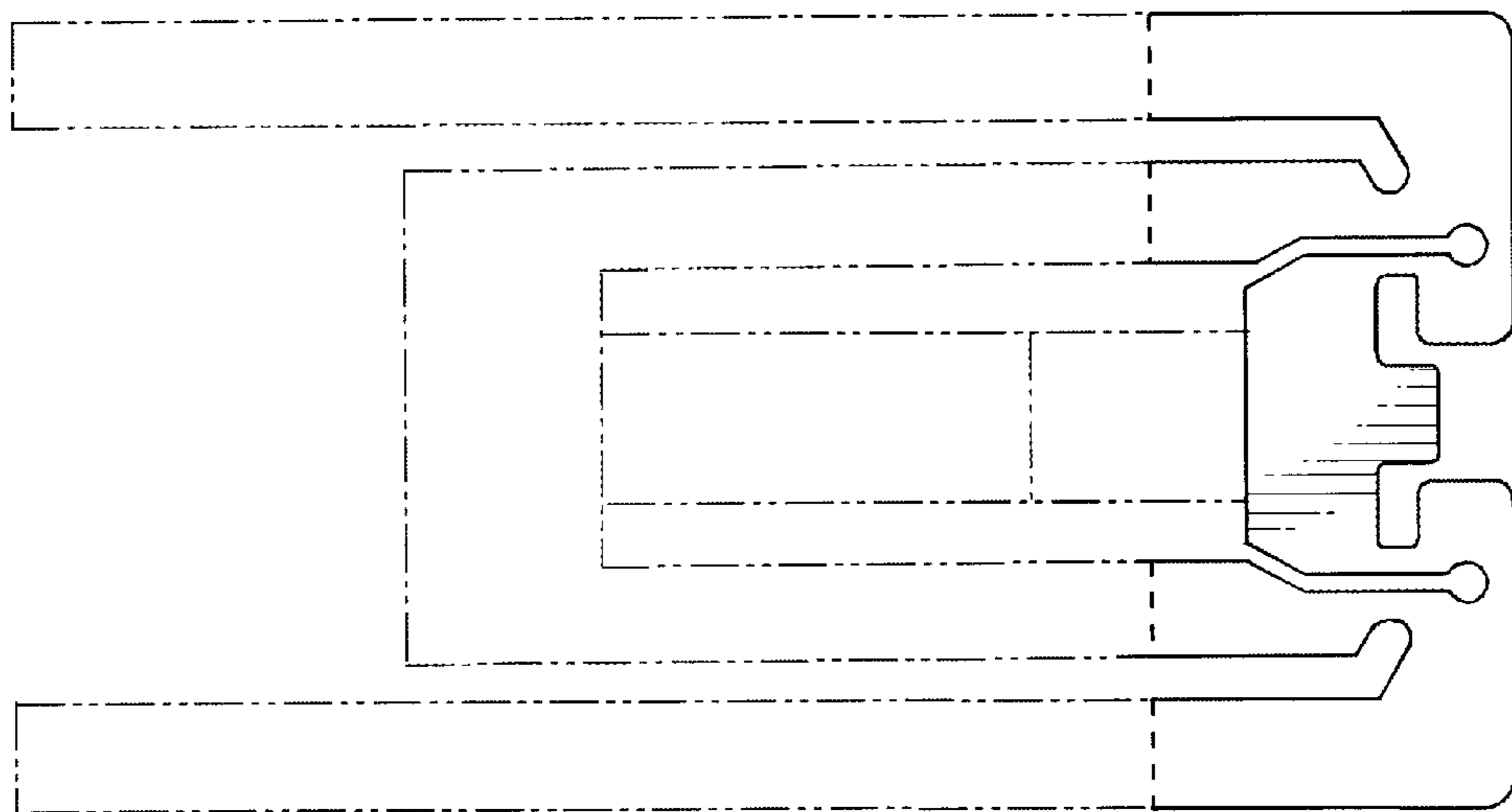


FIG - 2

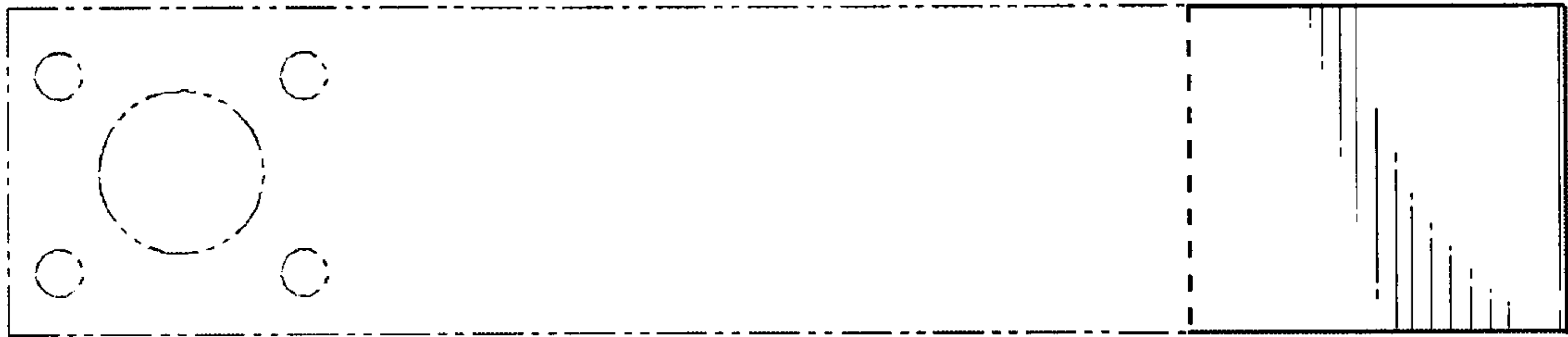


FIG - 3

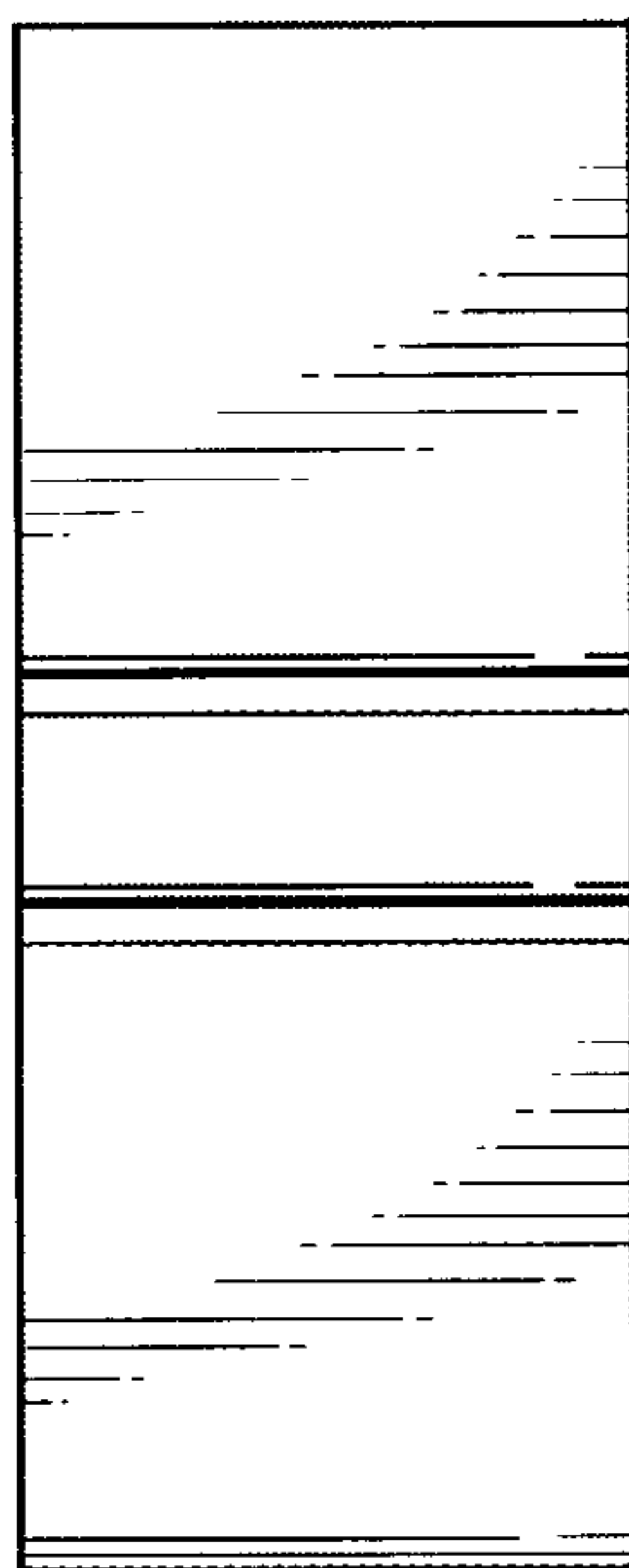


FIG - 4

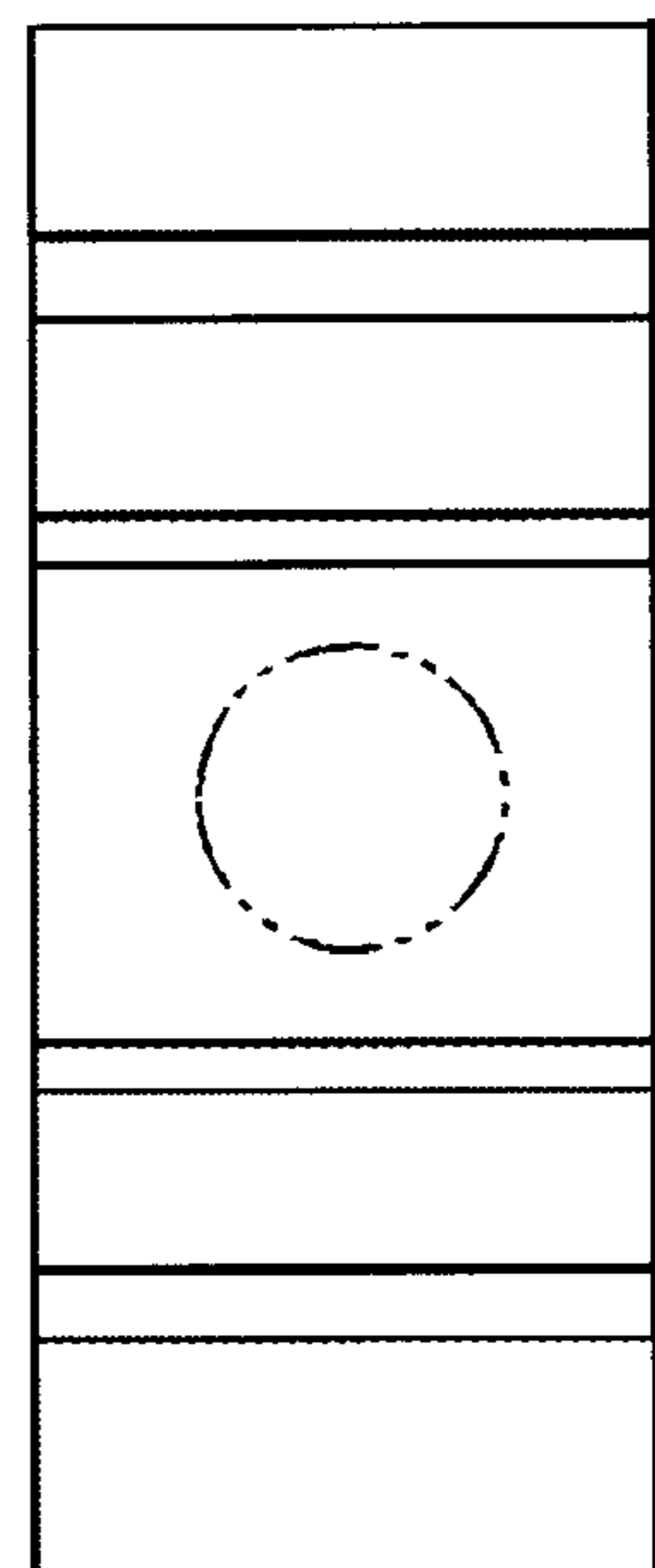


FIG - 5