



US00D483334S

(12) **United States Design Patent**
Caswell

(10) **Patent No.:** **US D483,334 S**

(45) **Date of Patent:** **** Dec. 9, 2003**

(54) **CABLE WAY ASSEMBLY COVER**

(75) Inventor: **John Caswell**, Dover, NH (US)
(73) Assignee: **Sandial Systems, Inc.**, Portsmouth, NH (US)
(**) Term: **14 Years**

(21) Appl. No.: **29/164,562**
(22) Filed: **Jul. 29, 2002**

(51) **LOC (7) Cl.** **13-03**
(52) **U.S. Cl.** **D13/155**
(58) **Field of Search** D13/155, 156,
D13/184; D8/356; 138/108, 115, 156; 16/225,
268; 52/288.1; 174/5 R, 41, 48, 66, 68.3,
726, 95, 97, 136, 139; 439/216

(56) **References Cited**

U.S. PATENT DOCUMENTS

D348,432 S	*	7/1994	Dubruco	D13/155
D371,343 S	*	7/1996	Loftus	D13/155
6,084,180 A	*	7/2000	DeBartolo, Jr. et al.	174/95
D432,091 S	*	10/2000	Berkowitz et al.	D13/155
6,191,363 B1	*	2/2001	Samuels	174/68.3
6,239,357 B1	*	5/2001	Mabry, III et al.	174/5 R
6,323,421 B1	*	11/2001	Pawson et al.	174/48
6,348,658 B1	*	2/2002	Gutgsell et al.	174/66

OTHER PUBLICATIONS

Web page from Force 10 Networks; "wwwforce10networks.com"; printed on Sep. 4, 2002.
Advertisement of Force 10 Network; "Where could you go with a network that fast?;" Published in Network World, Jul. 15, 2002; vol. 19, No. 28; add appears on p. 15 of an attached insert, said insert being between pp. 16 and 17.

* cited by examiner

Primary Examiner—Ted Shooman
Assistant Examiner—Selina Sikder
(74) *Attorney, Agent, or Firm*—Daly, Crowley & Mofford, LLP

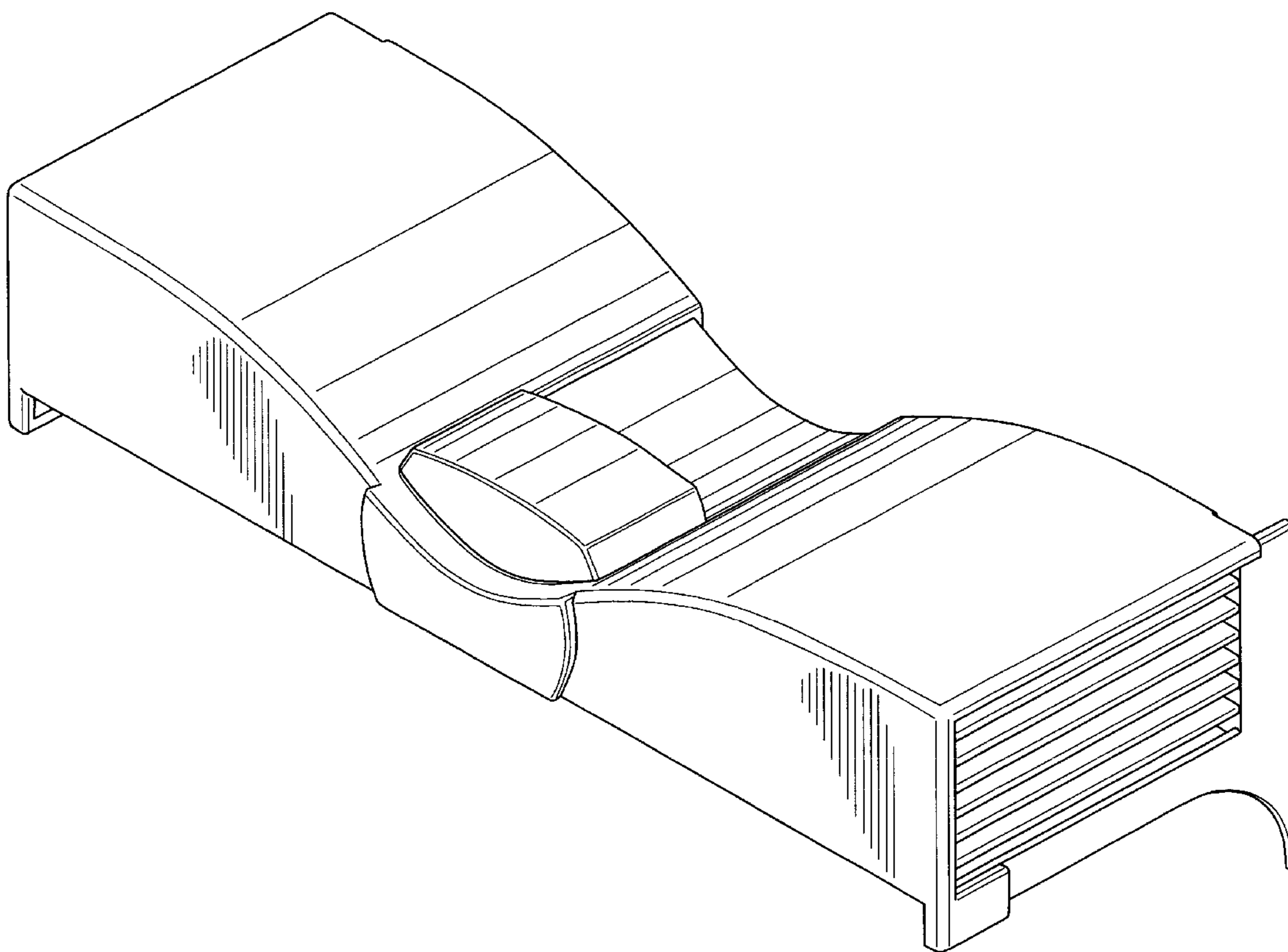
(57) **CLAIM**

The ornamental design for a cable way assembly cover, as shown.

DESCRIPTION

FIG. 1 is a perspective of a cable way assembly cover
FIG. 2 is a front view of a cable way assembly cover
FIG. 3 is a back view of a cable way assembly cover
FIG. 4 is a top view of a cable way assembly cover
FIG. 5 is a left side view of a cable way assembly cover; and,
FIG. 6 is a right side view of a cable way assembly cover.

1 Claim, 5 Drawing Sheets



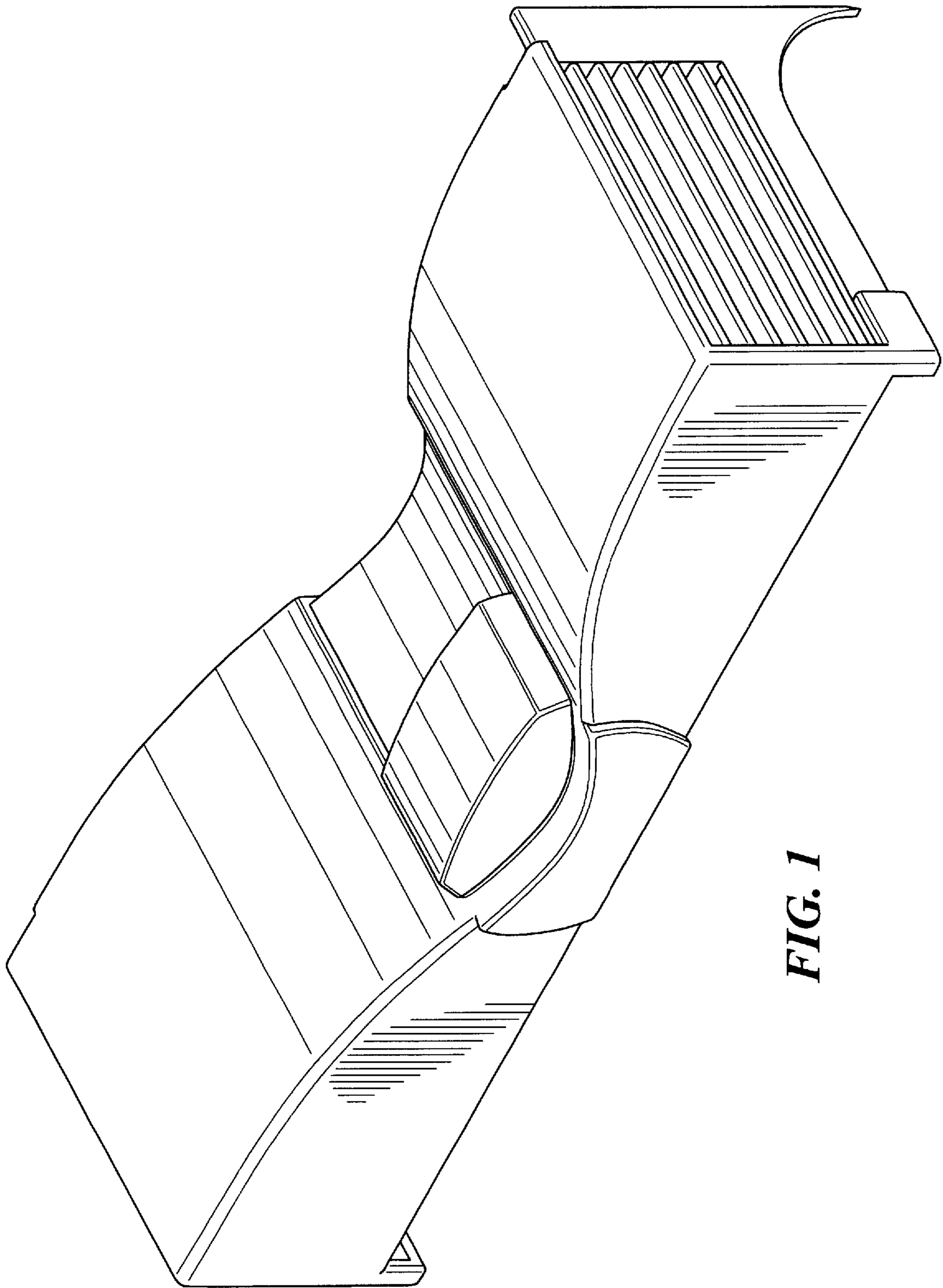


FIG. 1

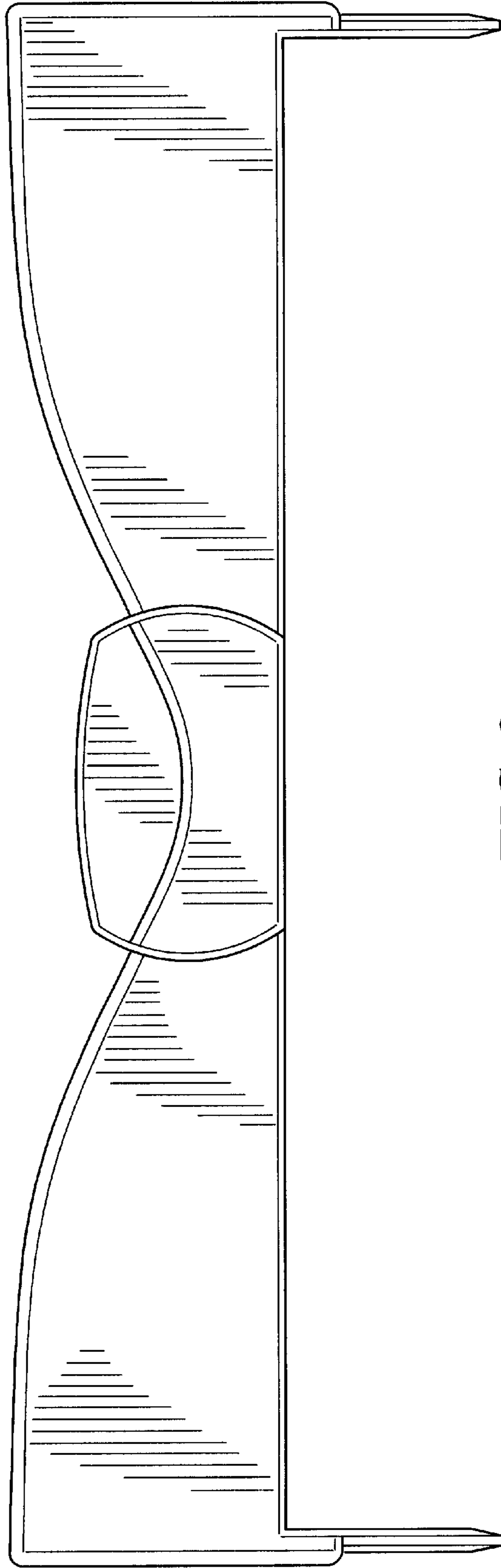


FIG. 2

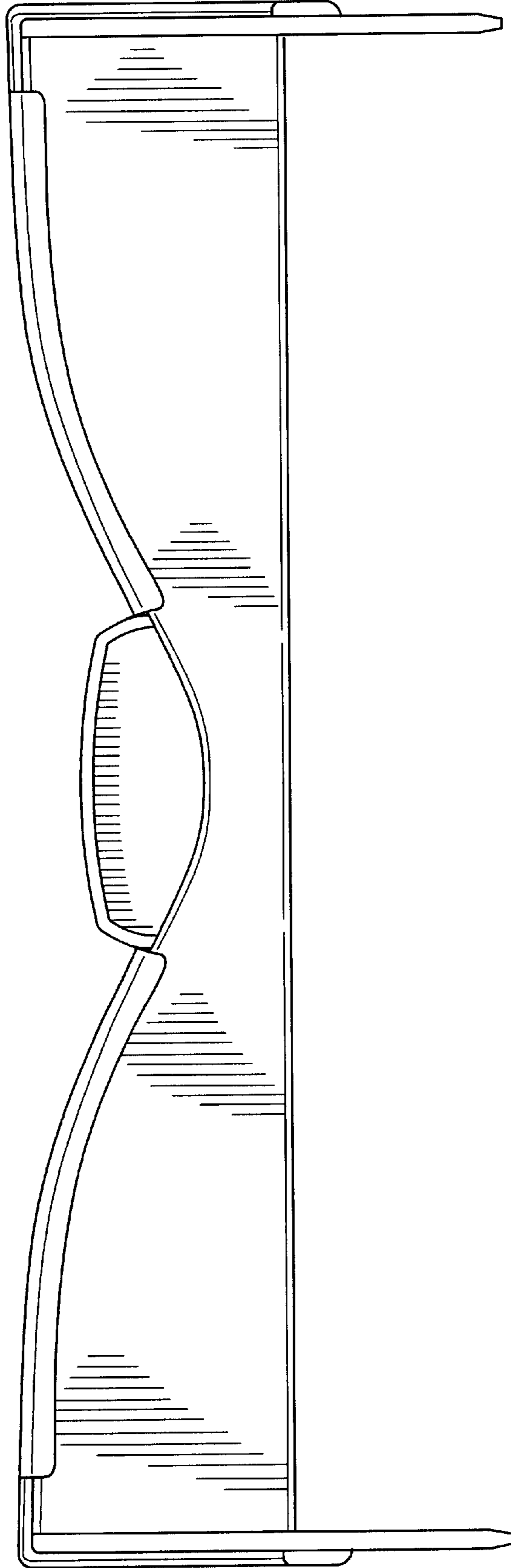


FIG. 3

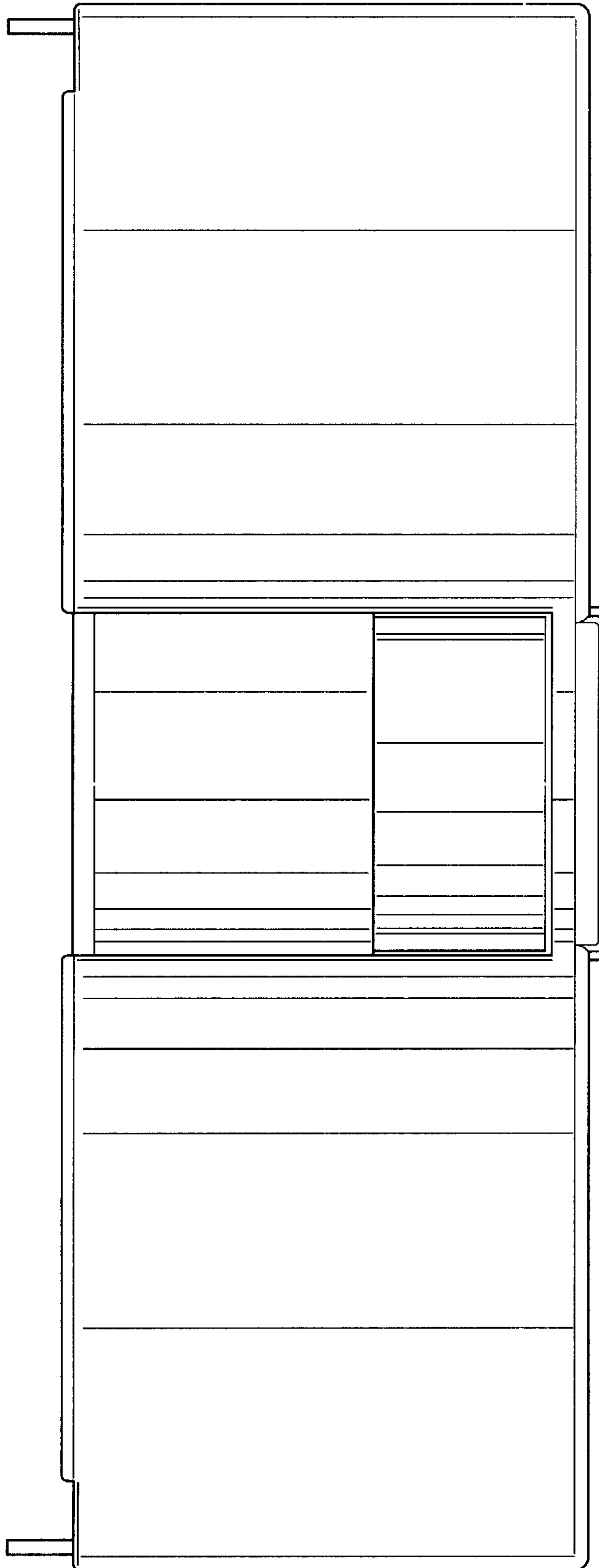


FIG. 4

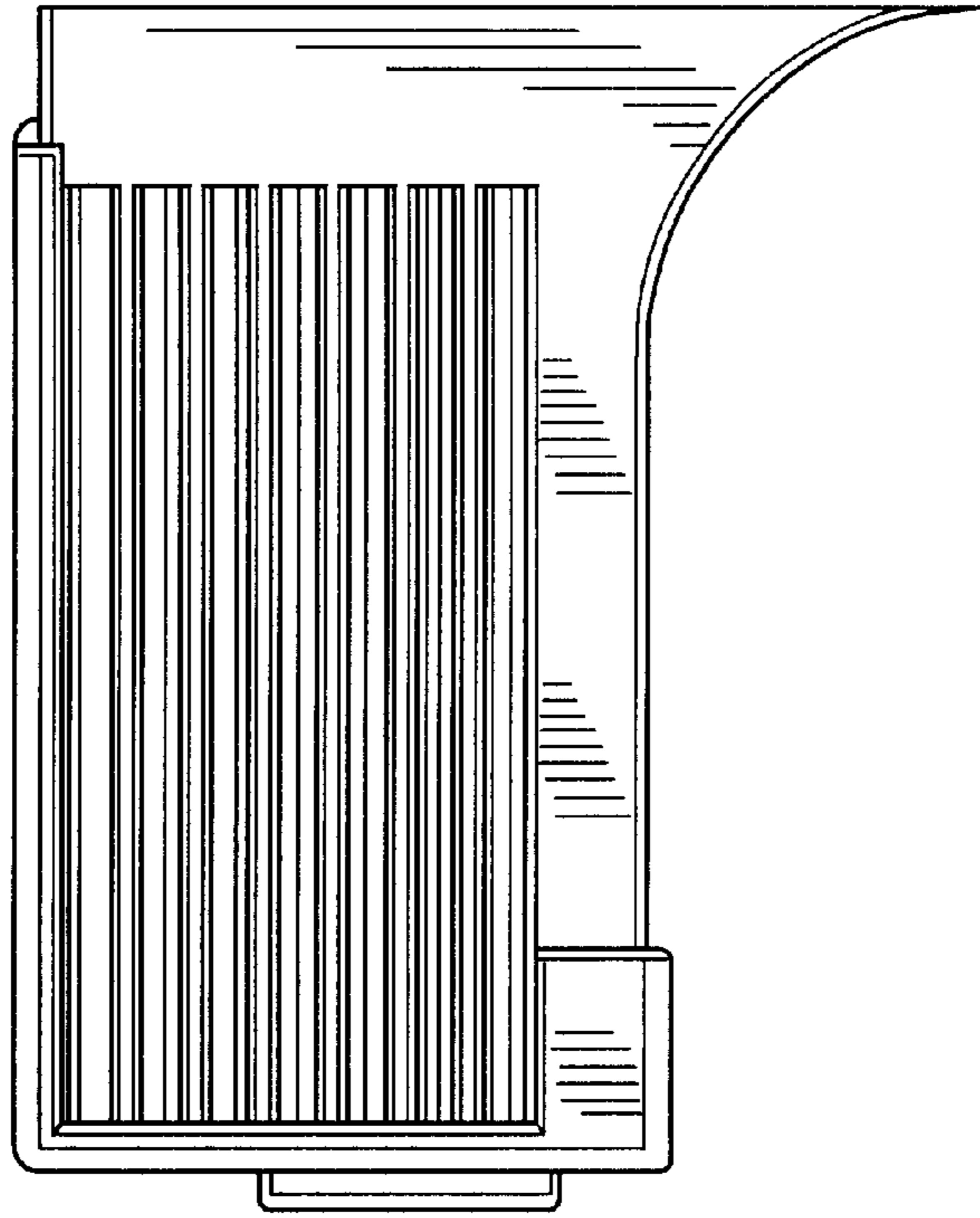


FIG. 5

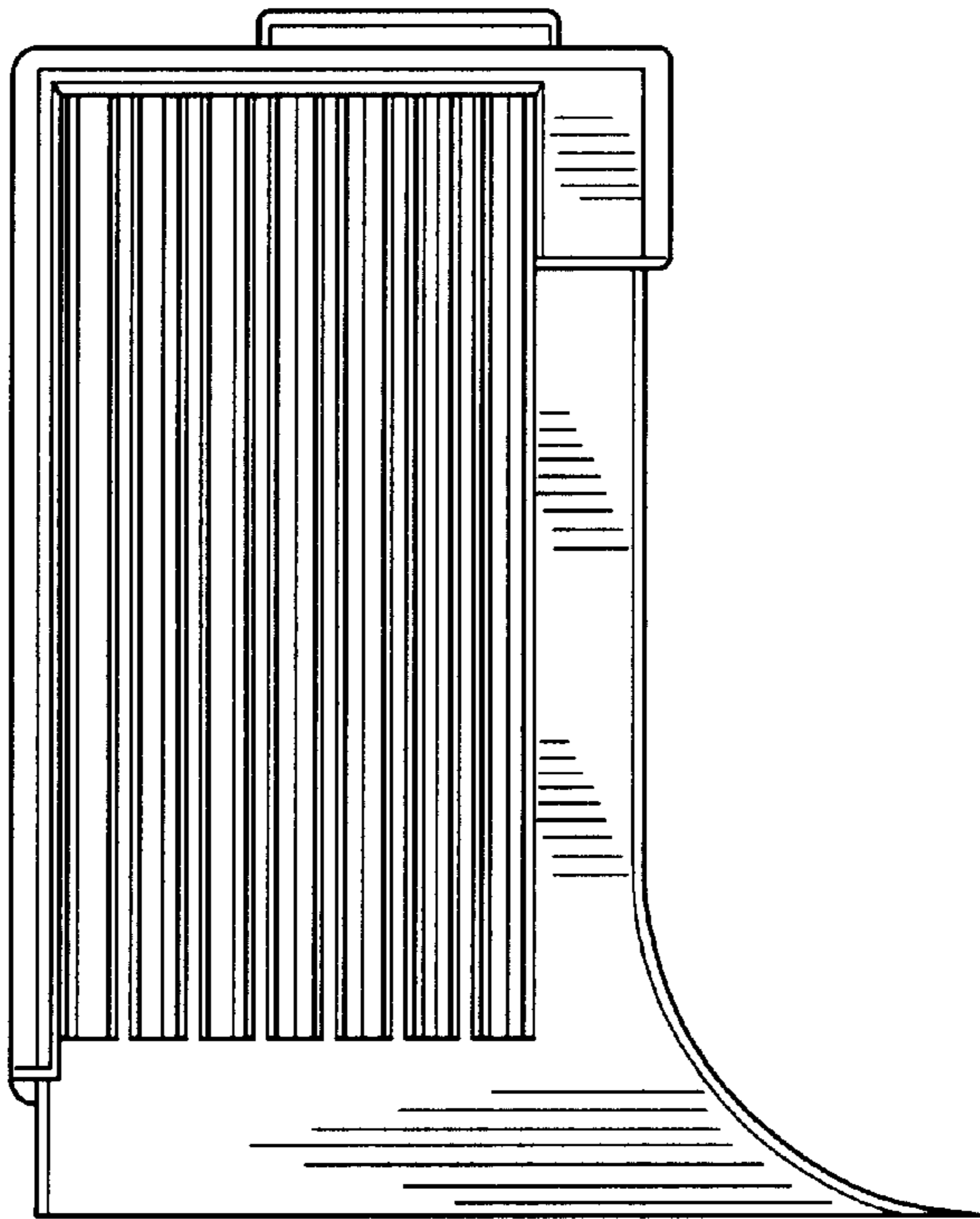


FIG. 6

UNITED STATES PATENT AND TRADEMARK OFFICE
CERTIFICATE OF CORRECTION

PATENT NO. : Des. 483,334 S
DATED : December 9, 2003
INVENTOR(S) : John Casewell

Page 1 of 1

It is certified that error appears in the above-identified patent and that said Letters Patent is hereby corrected as shown below:

Title page,

Item [22], PCT Filed, the date reads "**Jul. 29, 2002**" and should read -- **Jul. 26, 2002** --.

Signed and Sealed this

Tenth Day of May, 2005

A handwritten signature in black ink on a light gray dotted background. The signature reads "Jon W. Dudas" in a cursive, stylized script.

JON W. DUDAS

Director of the United States Patent and Trademark Office