



US00D483333S

(12) **United States Design Patent**
Gresham et al.

(10) **Patent No.:** **US D483,333 S**

(45) **Date of Patent:** **** Dec. 9, 2003**

(54) **CABLE MANAGEMENT APPARATUS FOR PARTITIONS**

(75) Inventors: **David M. Gresham**, E. Grand Rapids, MI (US); **Karl Heinz Mueller**, E. Grand Rapids, MI (US); **Karl J. Mead**, E. Grand Rapids, MI (US)

(73) Assignee: **Steelcase Development Corporation**, Caledonia, MI (US)

(**) Term: **14 Years**

(21) Appl. No.: **29/158,164**

(22) Filed: **Mar. 29, 2002**

(51) **LOC (7) Cl.** **13-03**

(52) **U.S. Cl.** **D13/155**

(58) **Field of Search** 52/220.7, 238.1, 52/239, 241, 242, 243; D13/155, 156; 174/48; 439/215

(56) **References Cited**

U.S. PATENT DOCUMENTS

- 4,433,630 A 2/1984 Laborie
- 4,448,003 A 5/1984 Hasbrouck
- 4,891,922 A 1/1990 Hozer et al.
- 5,025,603 A * 6/1991 Johnson 52/220.7

- D331,916 S * 12/1992 DuBrucq D13/155
- 5,184,441 A * 2/1993 Balfanz, Jr. 52/241
- D401,224 S * 11/1998 Mollenkopf et al. D13/155
- 5,831,211 A 11/1998 Gartung et al.
- 6,279,278 B1 8/2001 Morris et al.
- D467,555 S * 12/2002 King et al. D13/155

* cited by examiner

Primary Examiner—Jennifer Rivard

(74) *Attorney, Agent, or Firm*—Price, Heneveld, Cooper, DeWitt & Litton

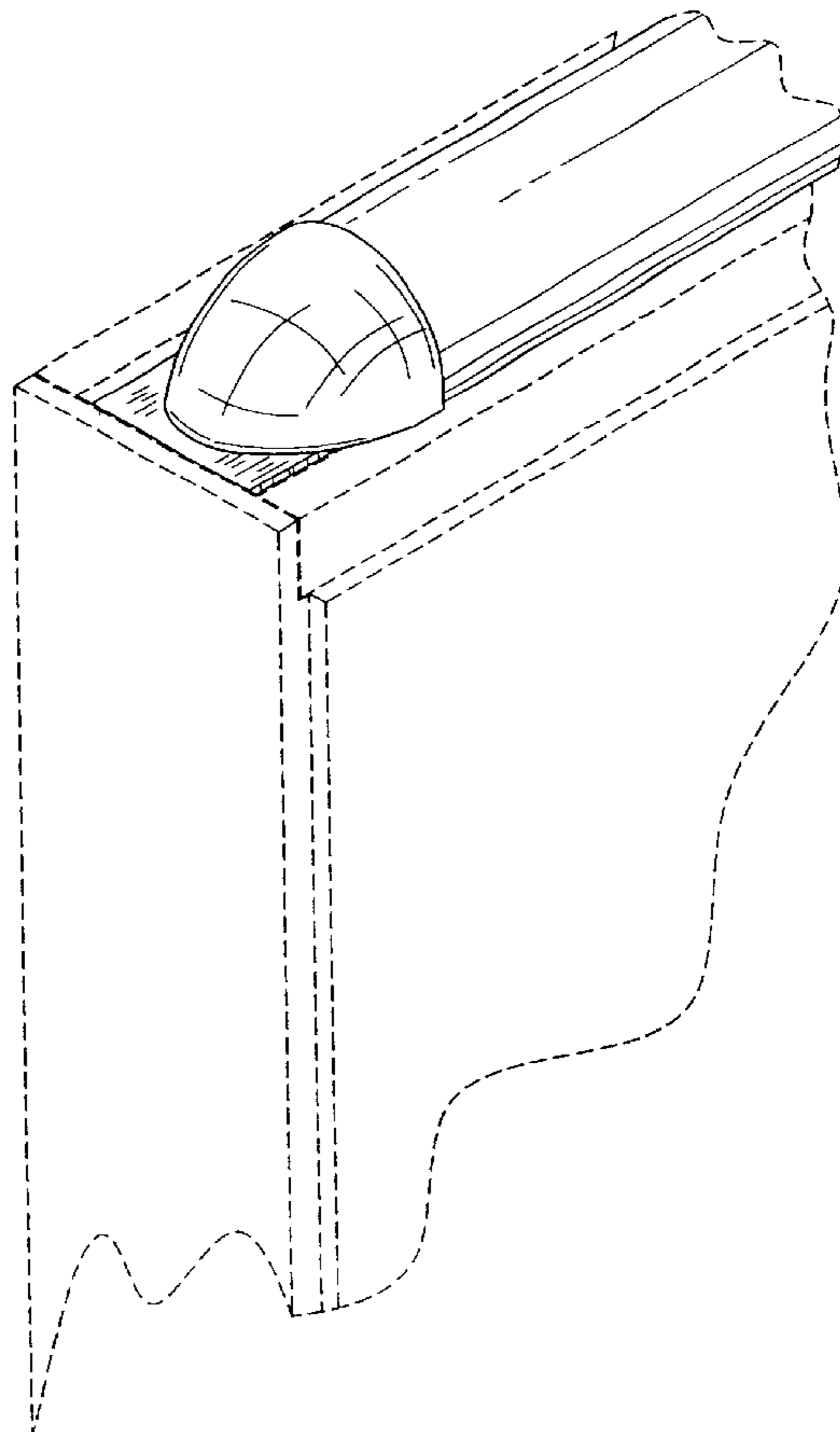
(57) **CLAIM**

We claim the ornamental design for a cable management apparatus for partitions, as shown and described.

DESCRIPTION

FIG. 1 is a perspective view of a cable management apparatus for partitions, embodying our design;
 FIG. 2 is a front view of FIG. 1;
 FIG. 3 is a rear view of FIG. 1;
 FIG. 4 is a side view of FIG. 1; and,
 FIG. 5 is a top view of FIG. 1.
 The dashed lines in FIGS. 1–5 are to show the environment and do not form a part of the present invention.
 The claimed design is shown broken away to indicate indeterminate length.

1 Claim, 2 Drawing Sheets



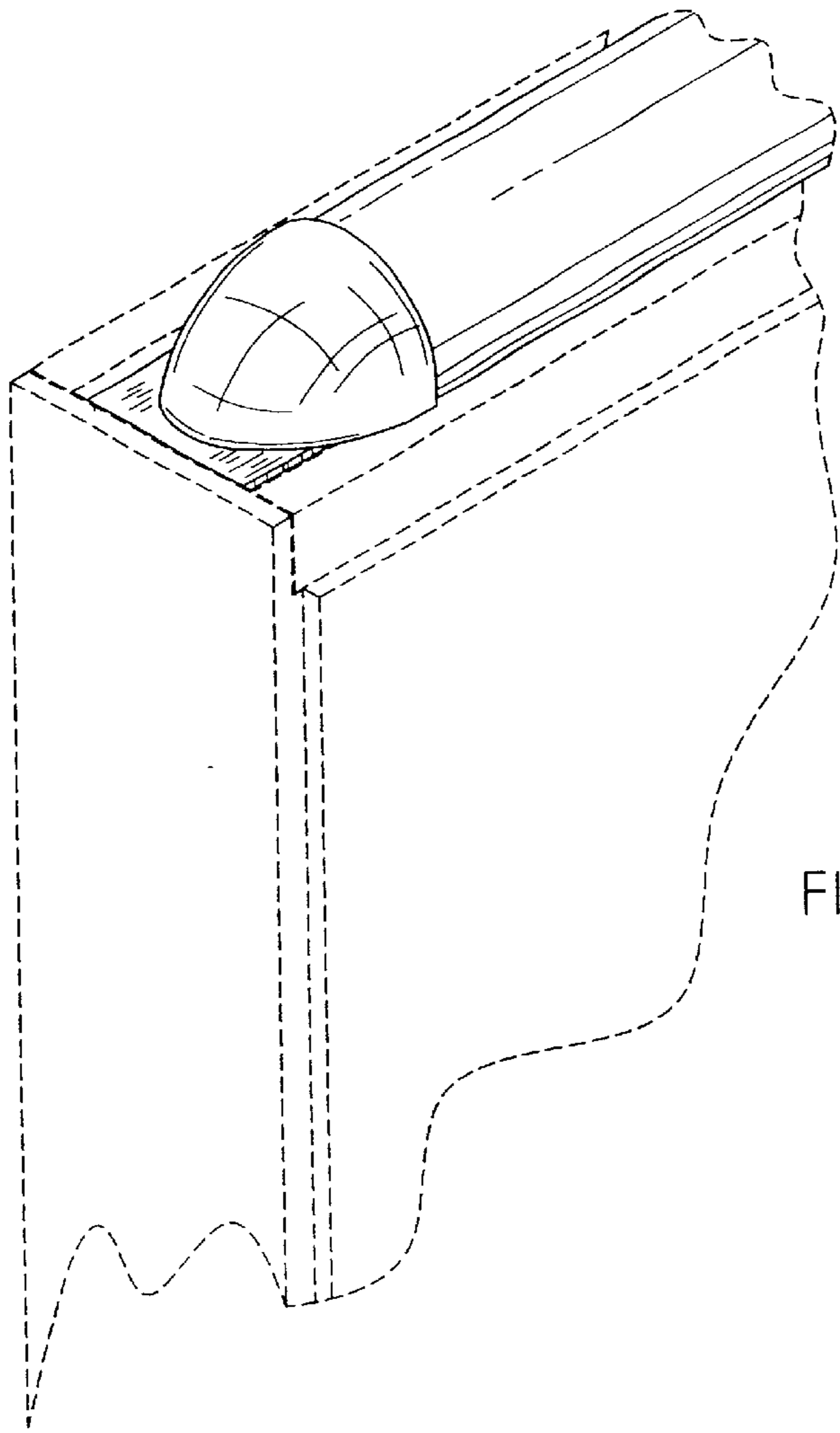


FIG. 1

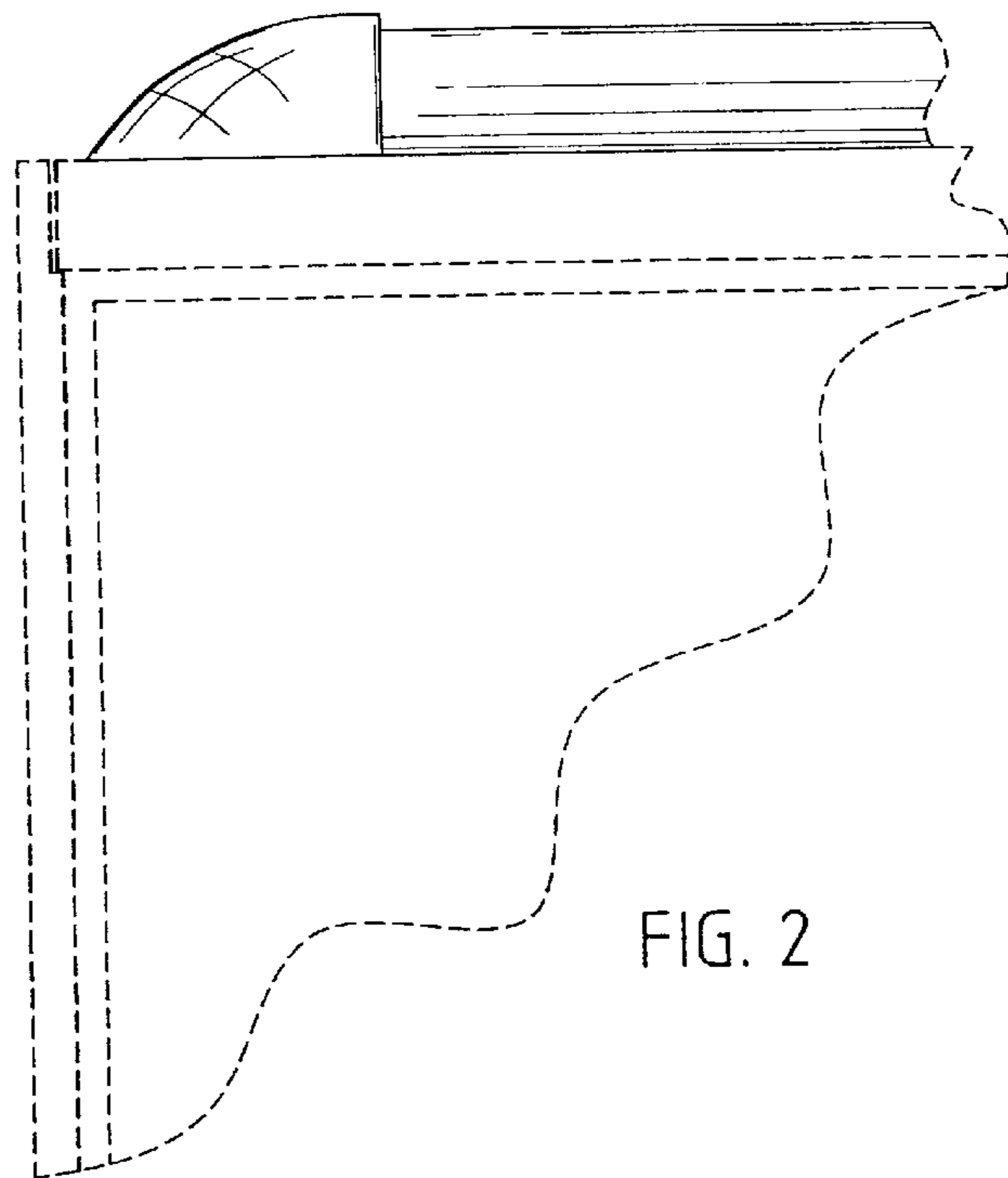


FIG. 2

