



US00D483332S

(12) **United States Design Patent**
Verfuwerth

(10) **Patent No.:** **US D483,332 S**

(45) **Date of Patent:** **** Dec. 9, 2003**

(54) **ELECTRIC CONNECTOR CORD**

(76) **Inventor:** **Neal R. Verfuwerth**, 642 Western Ave.,
Random Lake, WI (US) 53075

(**) **Term:** **14 Years**

(21) **Appl. No.:** **29/177,076**

(22) **Filed:** **Mar. 5, 2003**

(51) **LOC (7) Cl.** **13-03**

(52) **U.S. Cl.** **D13/147; D13/153**

(58) **Field of Search** **D13/146, 147,**
D13/153; 439/358, 594, 677, 680

(56) **References Cited**

U.S. PATENT DOCUMENTS

2,306,206	A	12/1942	Dalgleish	173/332
2,748,359	A	5/1956	Swan	339/28
4,169,648	A	* 10/1979	Moist, Jr.	439/467
4,443,048	A	* 4/1984	Moist, Jr.	439/599
4,544,220	A	* 10/1985	Aiello et al.	439/594
4,708,662	A	* 11/1987	Klein	439/353
4,834,673	A	* 5/1989	Beinhaul et al.	439/422
5,037,325	A	* 8/1991	Wirkus	439/467
5,342,221	A	* 8/1994	Peterson	439/677
D381,629	S	7/1997	Goto	D13/147

D416,542	S	11/1999	Tsai	D13/153
6,024,594	A	* 2/2000	Self, Jr. et al.	439/358
D425,860	S	5/2000	Goto	D13/133
D447,736	S	9/2001	Nakashima et al.	D13/153

* cited by examiner

Primary Examiner—Joel Sincavage

(74) *Attorney, Agent, or Firm*—Robert T. Johnson

(57) **CLAIM**

I claim the ornamental design for electric connector cord, as shown and described.

DESCRIPTION

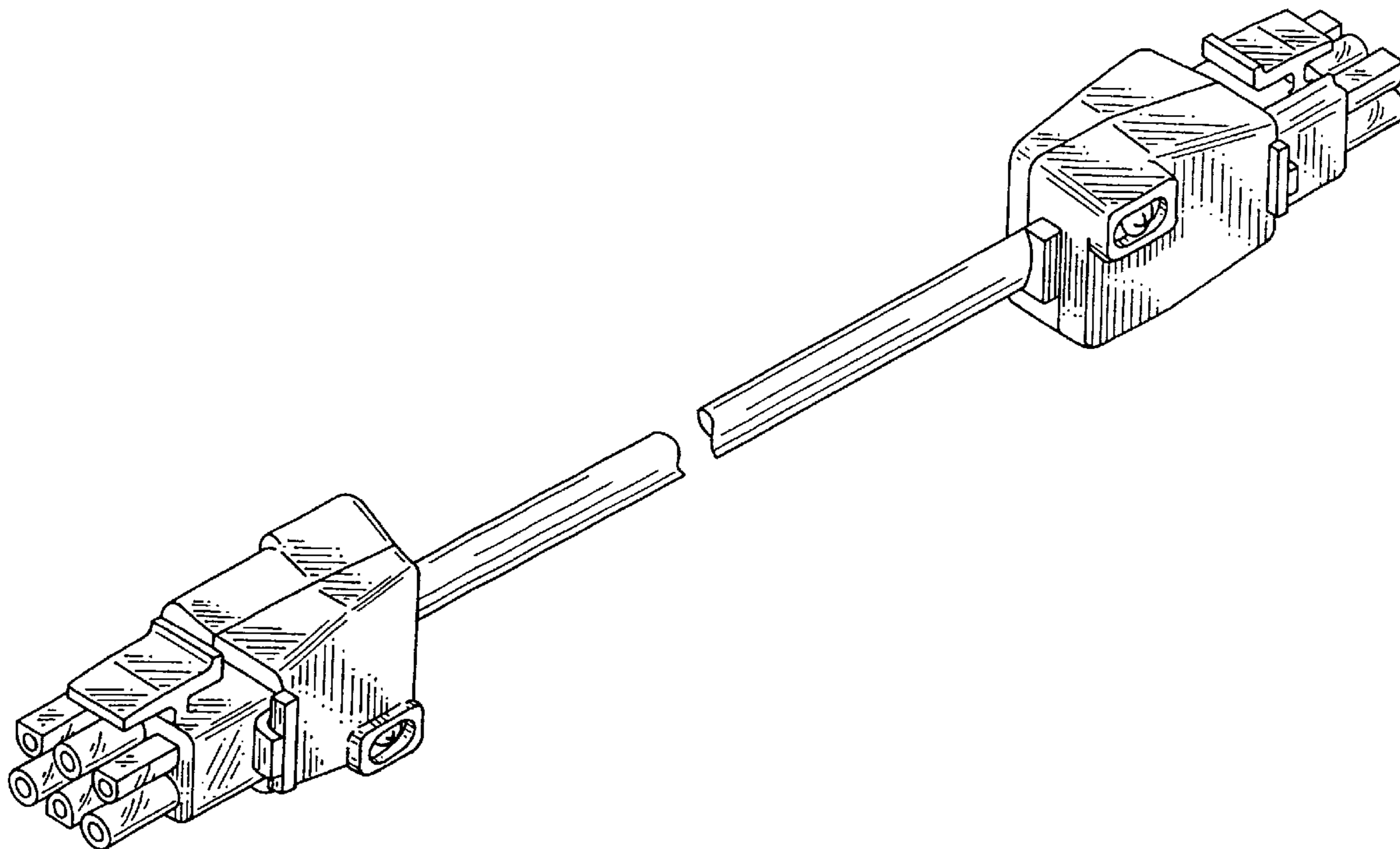
FIG. 1, is a front view of the ornamental design for electric connector cord, and the back view is a mirror image of FIG. 1,

FIG. 2, is a left side view thereof, and the right side is a mirror image of the left side FIG. 2,

FIG. 3, is a top end view thereof, and the bottom end view is a mirror image of the top end view shown in FIG. 3; and, FIG. 4, is a perspective view of the ornamental design for electric connector cord.

The claimed design in FIGS. 1, 2, and 4 is shown broken away to indicate indeterminate length.

1 Claim, 2 Drawing Sheets



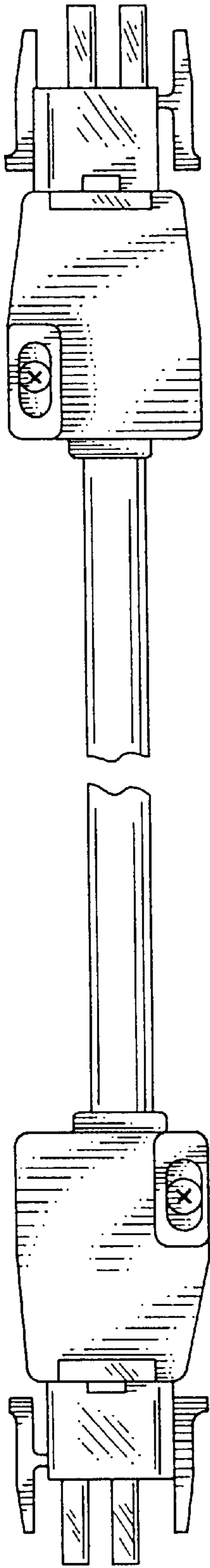


FIG. 1

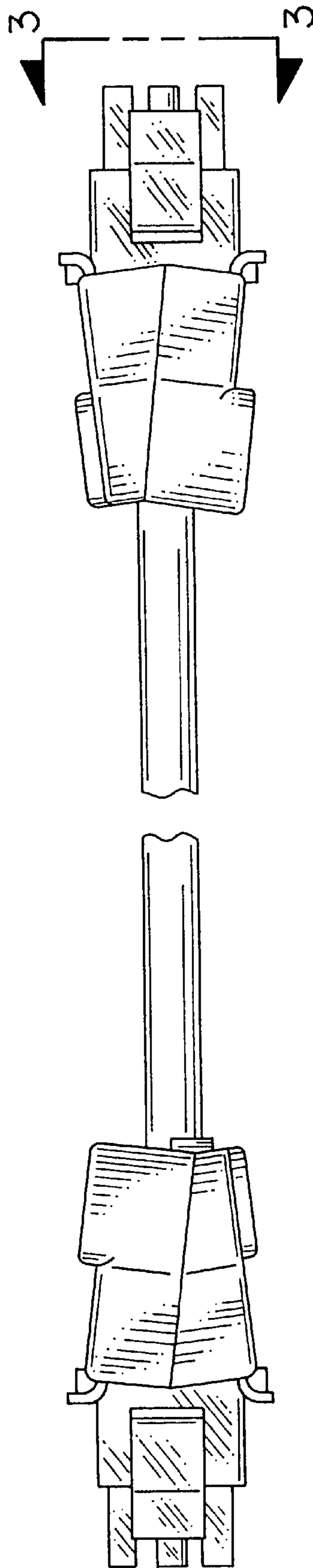


FIG. 2

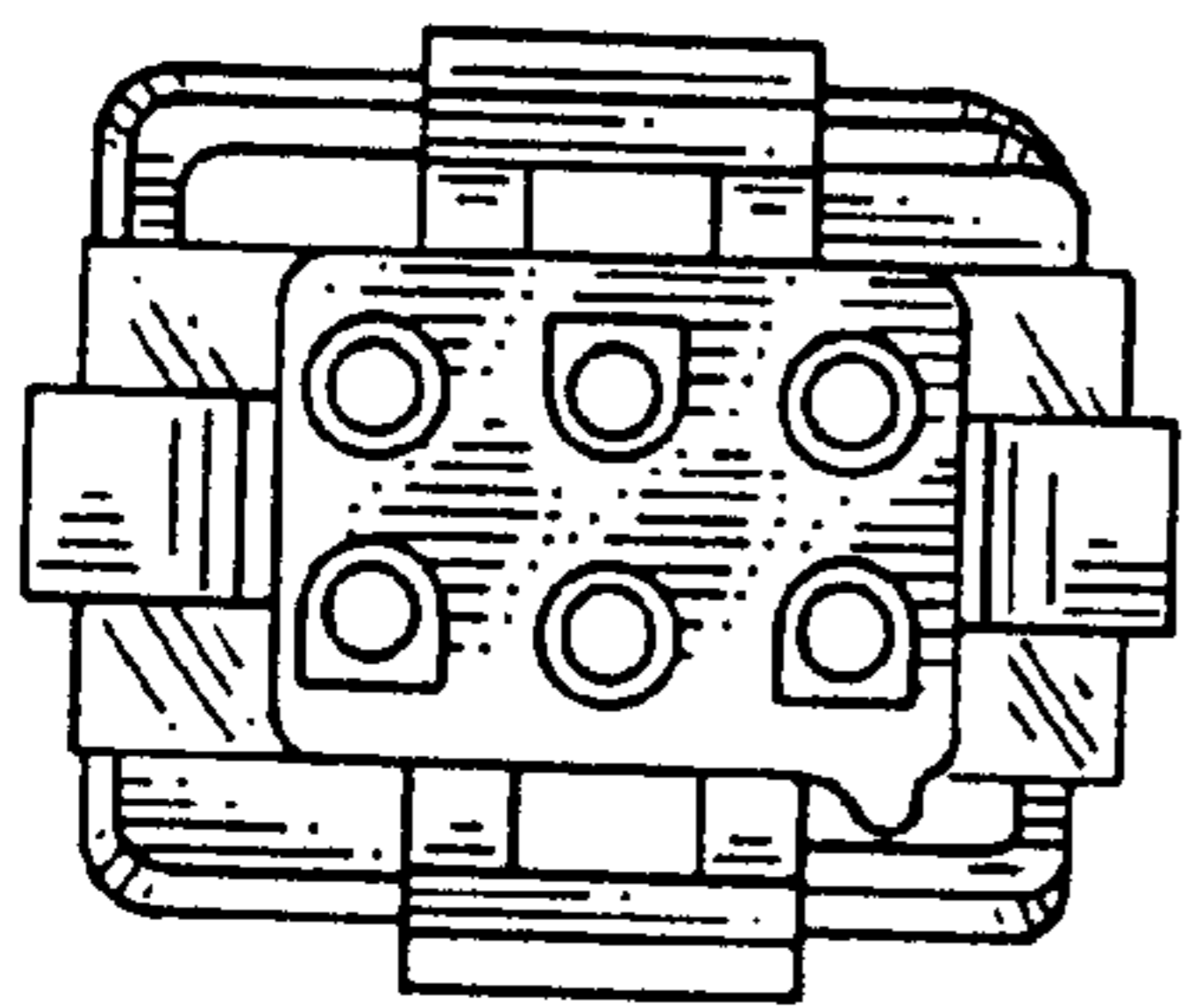


FIG. 3

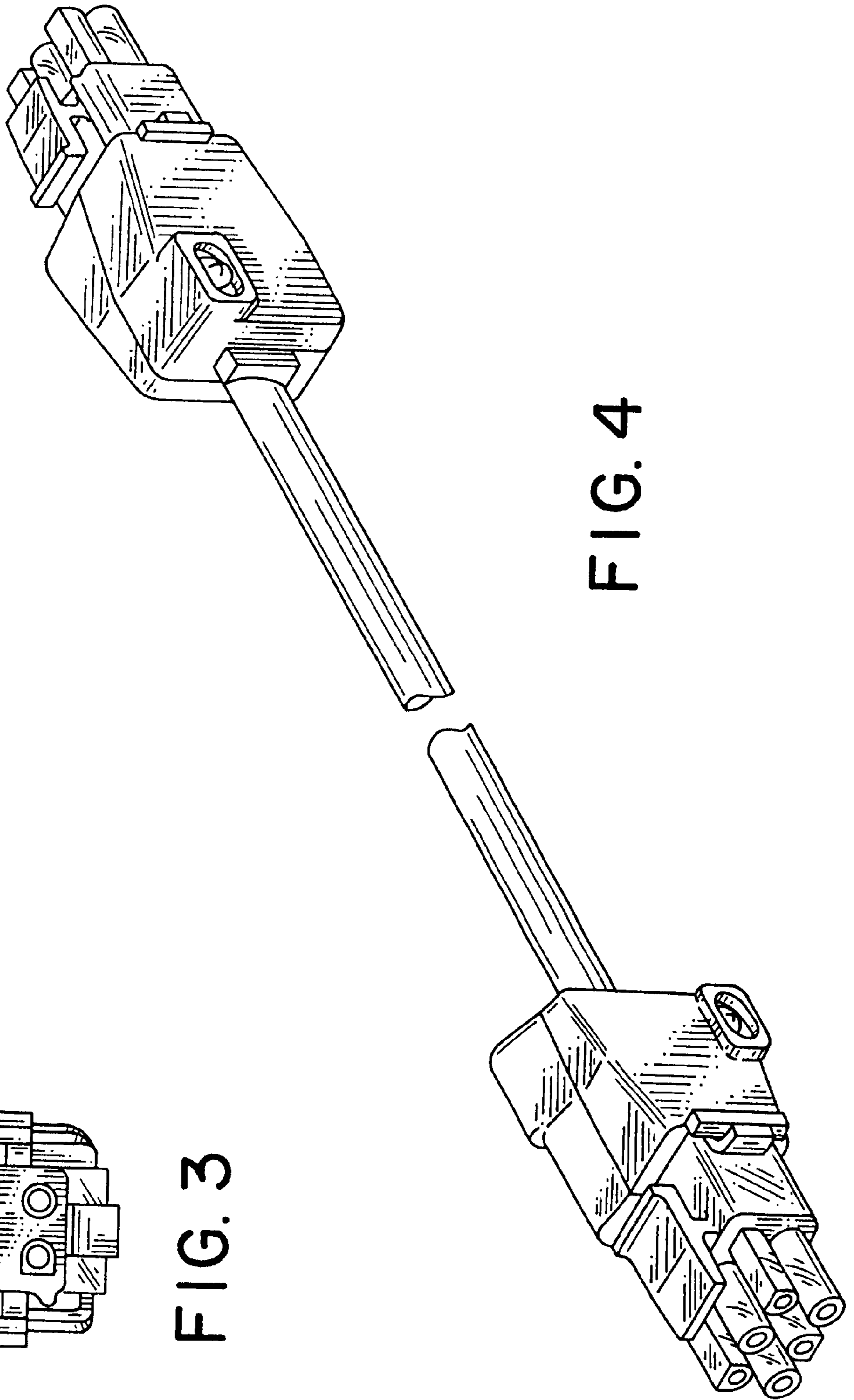


FIG. 4