



US00D483330S

(12) **United States Design Patent**
Chen

(10) **Patent No.:** **US D483,330 S**

(45) **Date of Patent:** **** Dec. 9, 2003**

(54) **TERMINAL OF CONNECTOR**

(75) Inventor: **Hui-Chun Chen**, Taipei (TW)

(73) Assignee: **Advanced Connectek, Inc.**, Taipei (TW)

(**) Term: **14 Years**

(21) Appl. No.: **29/170,677**

(22) Filed: **Nov. 12, 2002**

(51) **LOC (7) Cl.** **13-03**

(52) **U.S. Cl.** **D13/133**

(58) **Field of Search** D13/133; 439/746, 439/862

(56) **References Cited**

U.S. PATENT DOCUMENTS

3,211,874	A	*	10/1965	Bengtsson	439/862
4,168,879	A	*	9/1979	Ohtsuki et al.	439/862
4,491,382	A	*	1/1985	Ishikawa	439/862 X
4,493,526	A	*	1/1985	Masuda	439/668
4,915,636	A	*	4/1990	Knight	439/746 X
4,973,257	A	*	11/1990	Lhotak	439/862 X
D409,143	S	*	5/1999	Yoshiura	D13/133
D410,226	S	*	5/1999	Yoshiura	D13/133
5,980,330	A	*	11/1999	Veselaski et al.	439/746

6,296,495 B1 * 10/2001 Wang et al. 439/71

* cited by examiner

Primary Examiner—Joel Sincavage

(74) *Attorney, Agent, or Firm*—Johnson, Lin & Associates; Chauncey B. Johnson, Esq.

(57) **CLAIM**

The ornamental design for a terminal of connector, as shown and described.

DESCRIPTION

FIG. 1 is a perspective view of a terminal of connector showing our new design;

FIG. 2 is a front view of the terminal of connector shown in FIG. 1;

FIG. 3 is a rear view of the terminal of connector shown in FIG. 1.

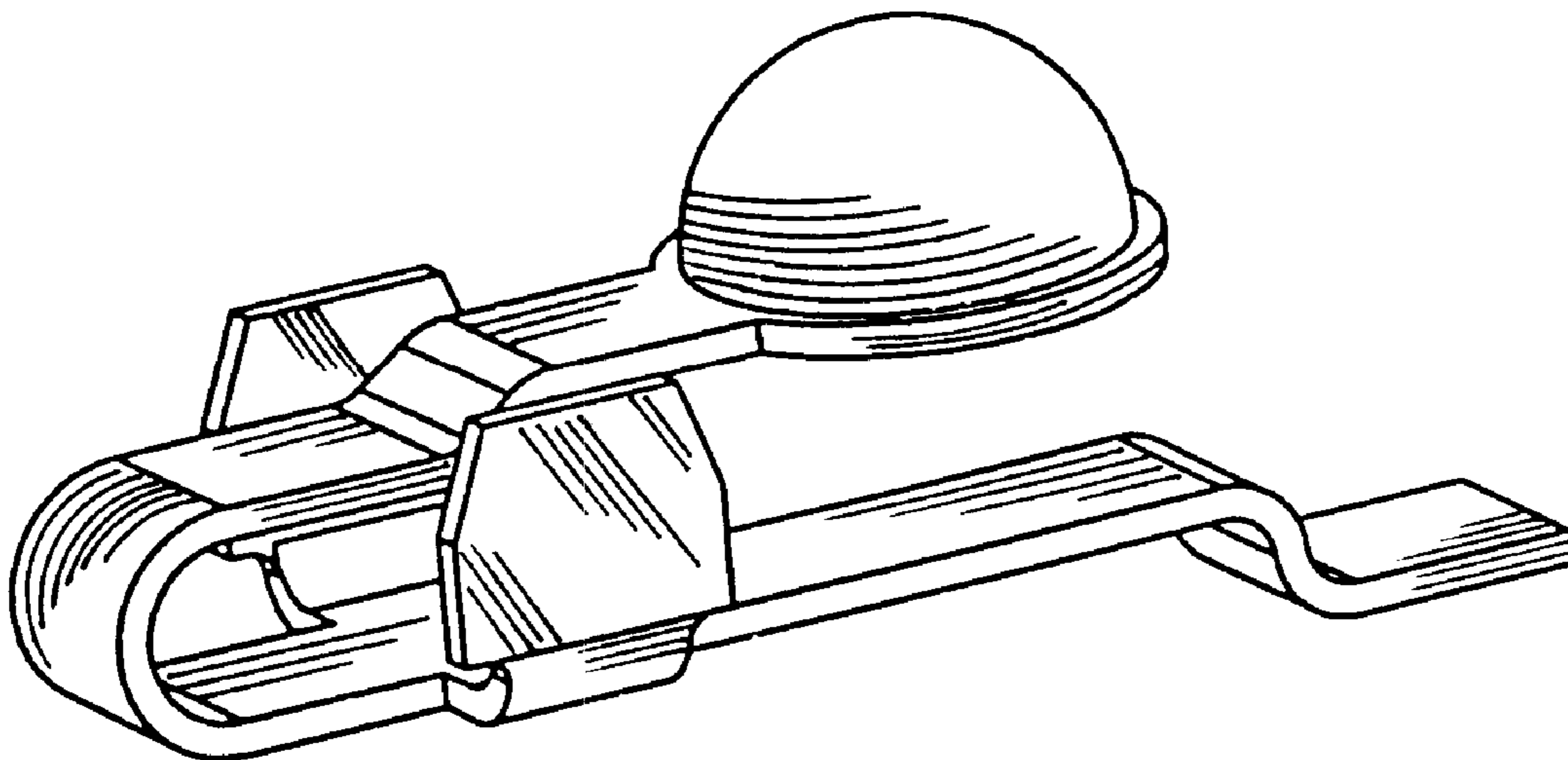
FIG. 4 is a left side view of the terminal of connector shown in FIG. 1;

FIG. 5 is a right side view of the terminal of connector shown in FIG. 1;

FIG. 6 is a top view of the terminal of connector shown in FIG. 1; and,

FIG. 7 is a bottom view of the terminal of connector shown in FIG. 1.

1 Claim, 4 Drawing Sheets



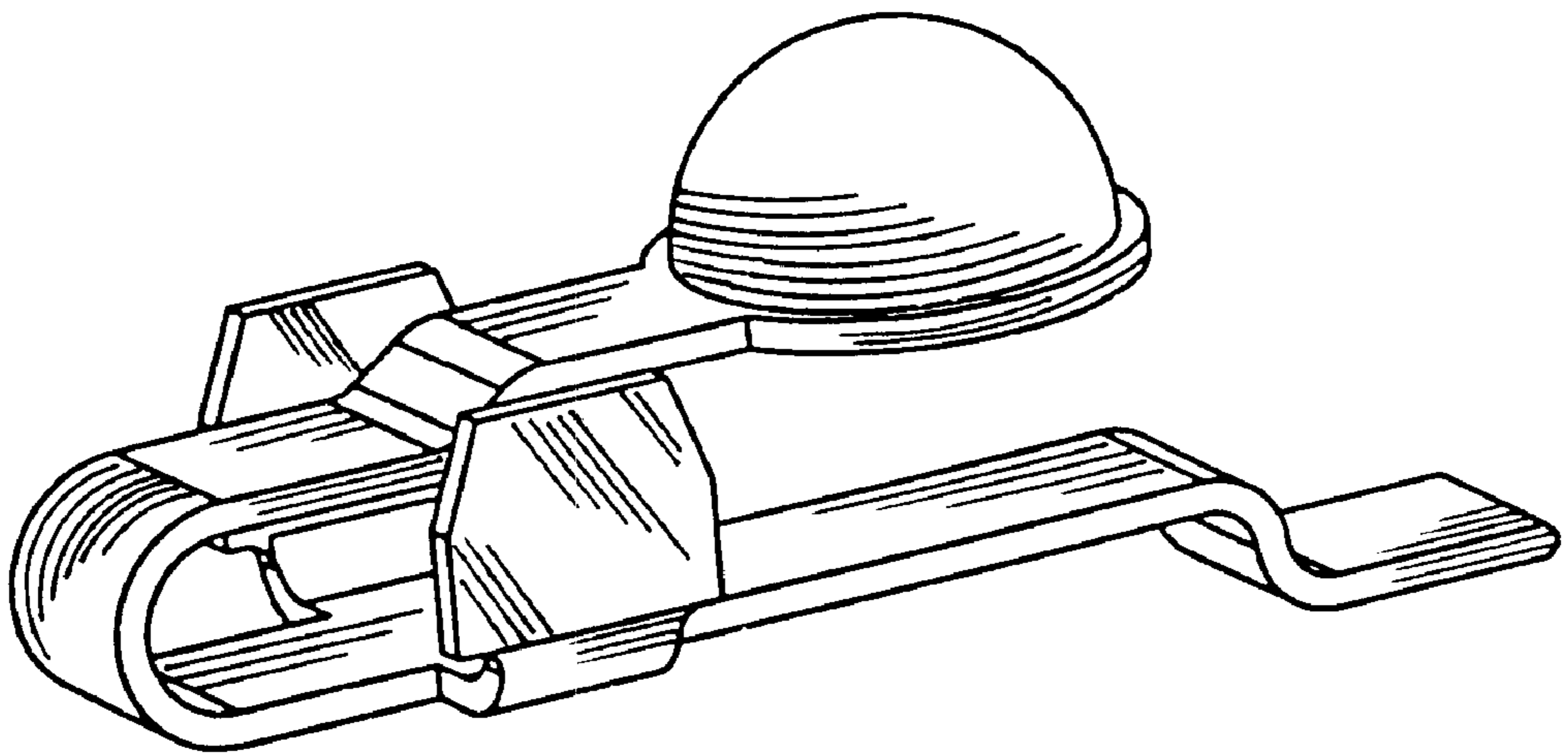


FIG. 1

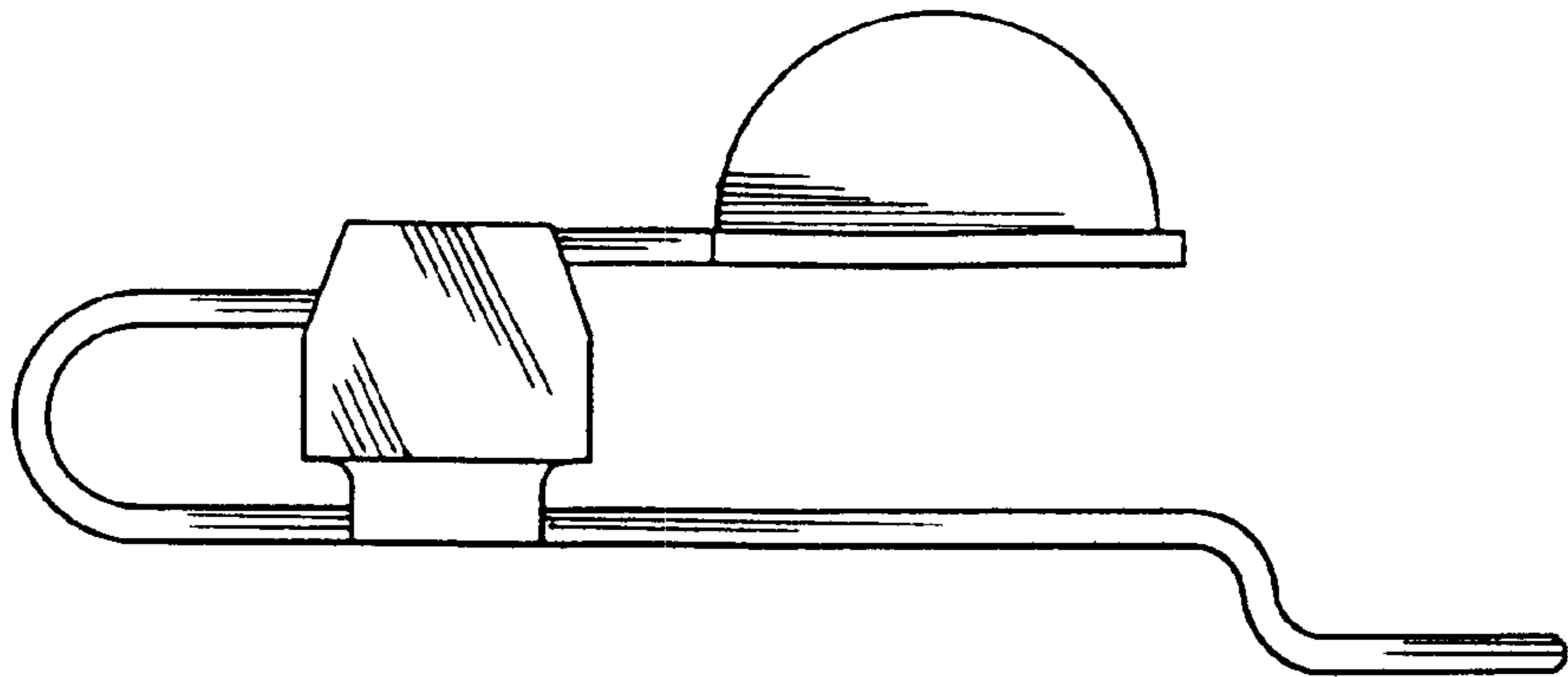


FIG. 2

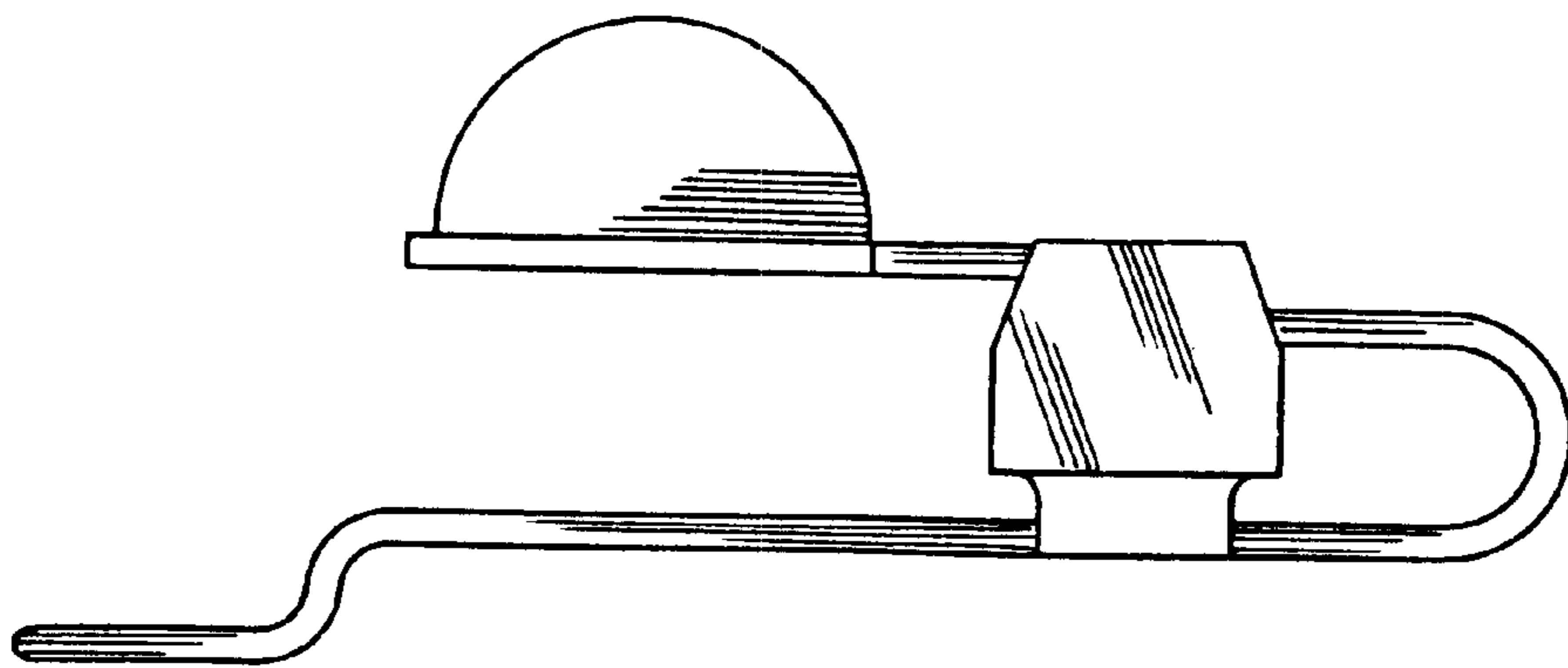


FIG. 3

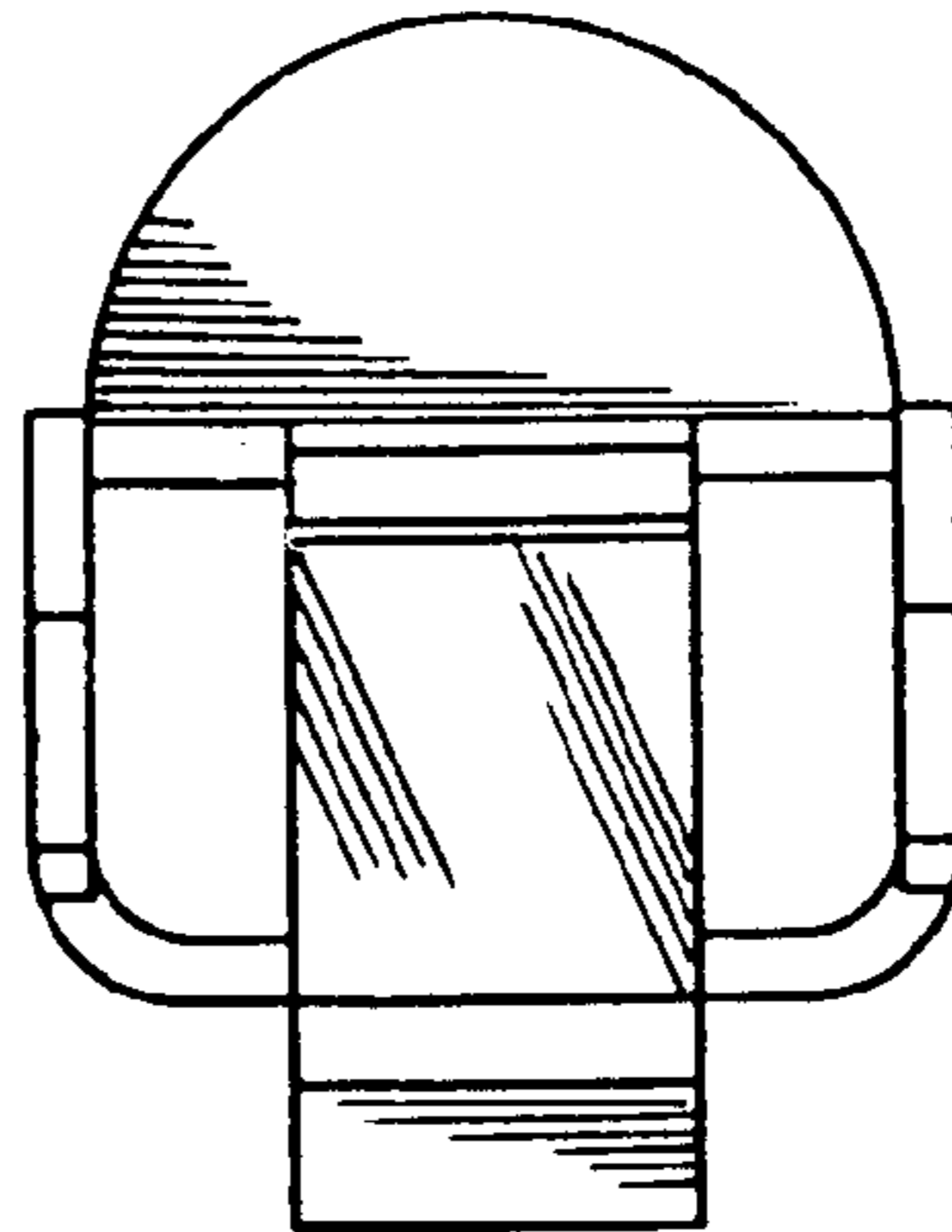


FIG. 4

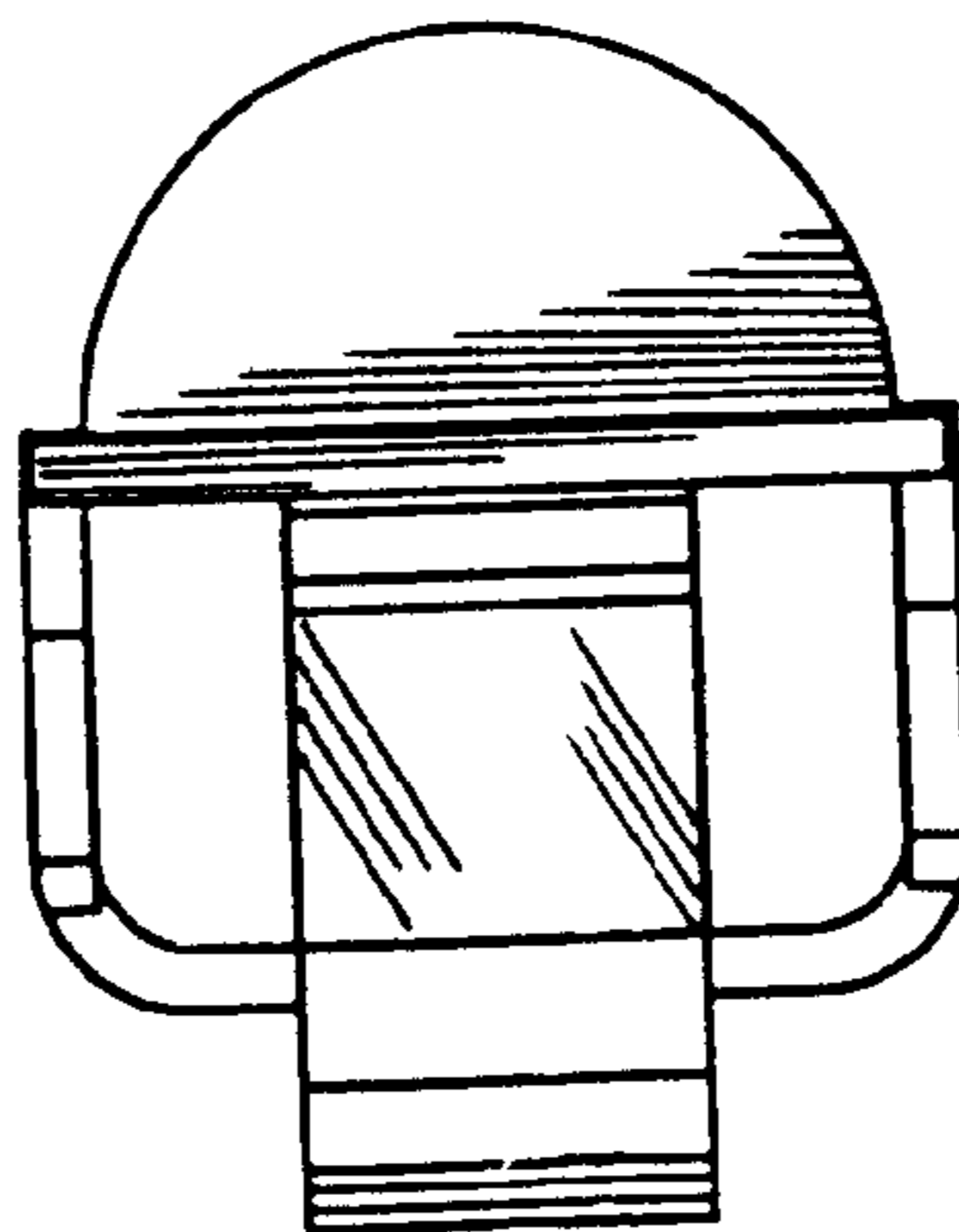


FIG. 5

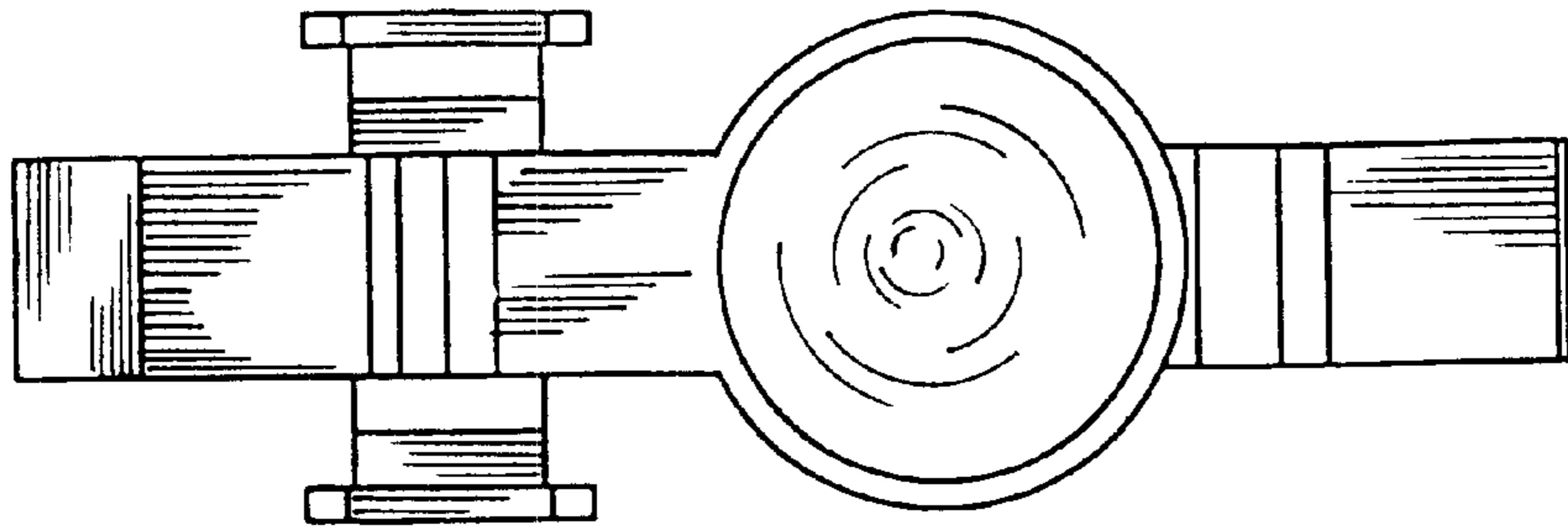


FIG. 6

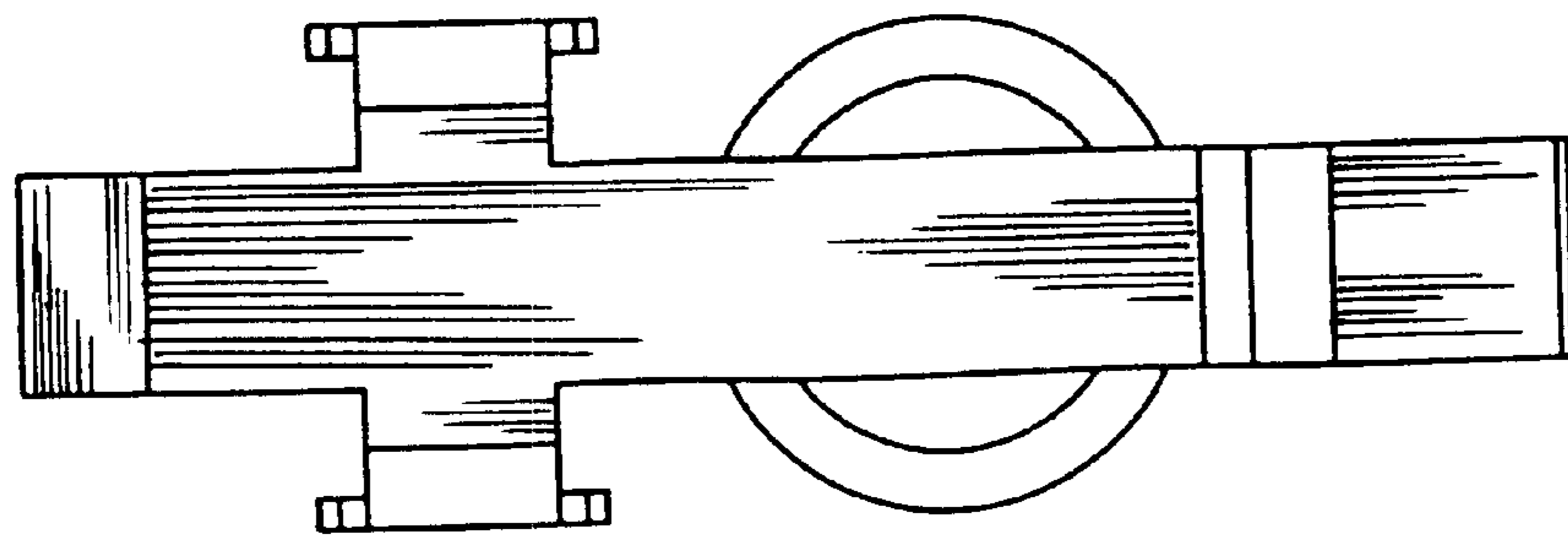


FIG. 7