



US00D483329S

(12) **United States Design Patent**  
**Kuo**

(10) **Patent No.:** **US D483,329 S**

(45) **Date of Patent:** **\*\* Dec. 9, 2003**

(54) **POWER SUPPLY**

(75) Inventor: **Wen-Yuan Kuo**, Hsi-Chih (TW)

(73) Assignee: **Chinfa Electronics Ind. Co., Ltd.**,  
Taipei Hsien (TW)

(\*\*) Term: **14 Years**

(21) Appl. No.: **29/170,732**

(22) Filed: **Nov. 12, 2002**

(51) **LOC (7) Cl.** ..... **13-02**

(52) **U.S. Cl.** ..... **D13/110**

(58) **Field of Search** ..... D13/110, 123,  
D13/162; 307/66, 150, 151; 361/600, 601,  
622; 363/13, 15, 141, 132, 146

(56) **References Cited**

**U.S. PATENT DOCUMENTS**

D339,101 S	*	9/1993	Delamoreaux et al.	....	D13/110
D339,102 S	*	9/1993	Boyd	.....	D13/110
D346,148 S	*	4/1994	Chen	.....	D13/110
D374,861 S	*	10/1996	Mousa	.....	D13/110
D387,032 S	*	12/1997	Tracewell	.....	D13/110

D390,532 S \* 2/1998 Su ..... D13/110

D400,852 S \* 11/1998 Loh ..... D13/110

D410,624 S \* 6/1999 Loh ..... D13/110

D438,176 S \* 2/2001 Cornu ..... D13/162

D455,714 S \* 4/2002 Kim ..... D13/110

\* cited by examiner

*Primary Examiner*—Philip S. Hyder

*Assistant Examiner*—Daniel Bui

(74) *Attorney, Agent, or Firm*—William E. Pelton, Esq.

(57) **CLAIM**

The ornamental design for a power supply, as shown.

**DESCRIPTION**

FIG. 1 is a perspective view of a power supply, showing my new design;

FIG. 2 is a front elevational view thereof;

FIG. 3 is a rear elevational view thereof;

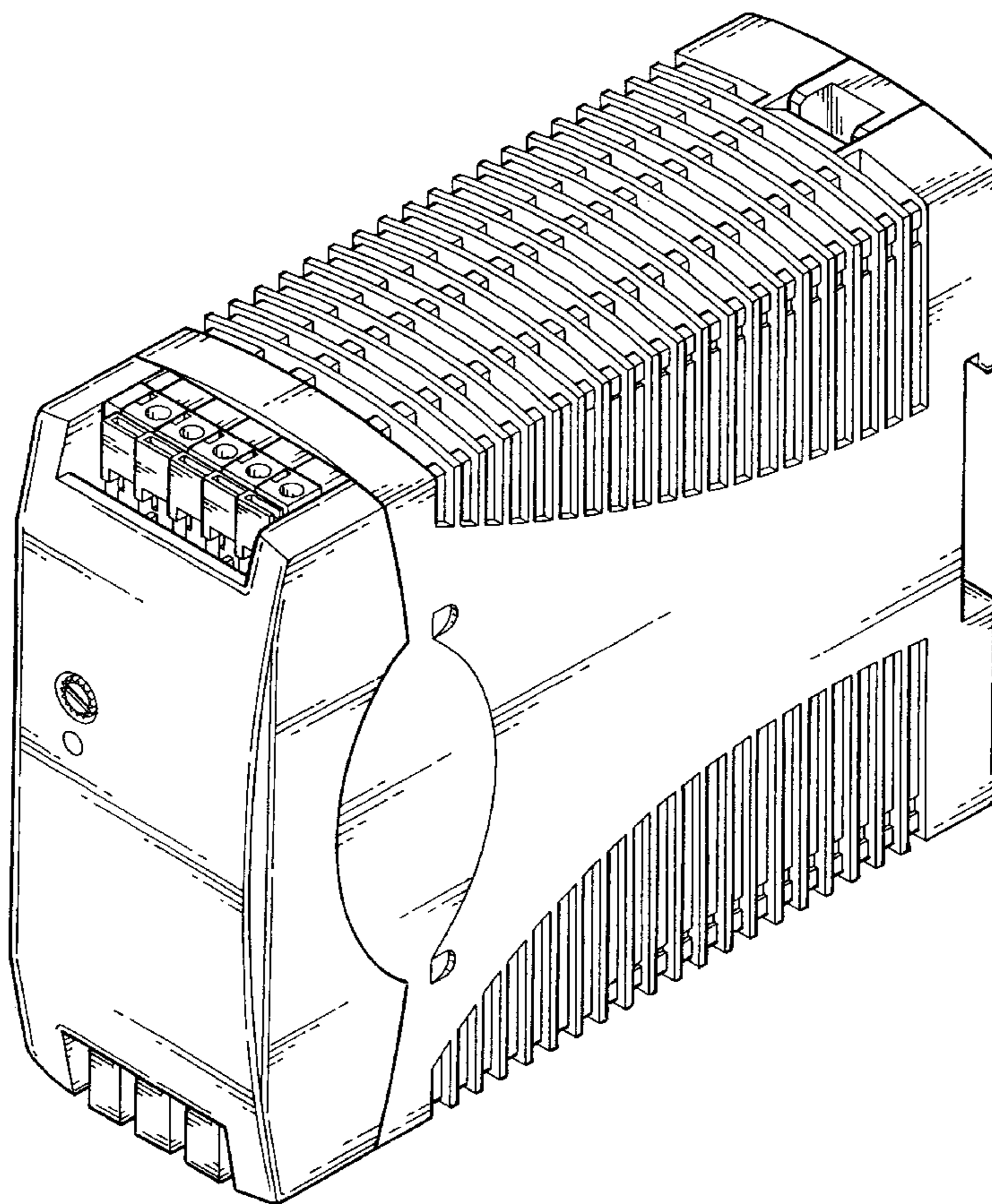
FIG. 4 is a left elevational view thereof;

FIG. 5 is a right elevational view thereof;

FIG. 6 is top plan view thereof; and,

FIG. 7 is a bottom plan view thereof.

**1 Claim, 5 Drawing Sheets**



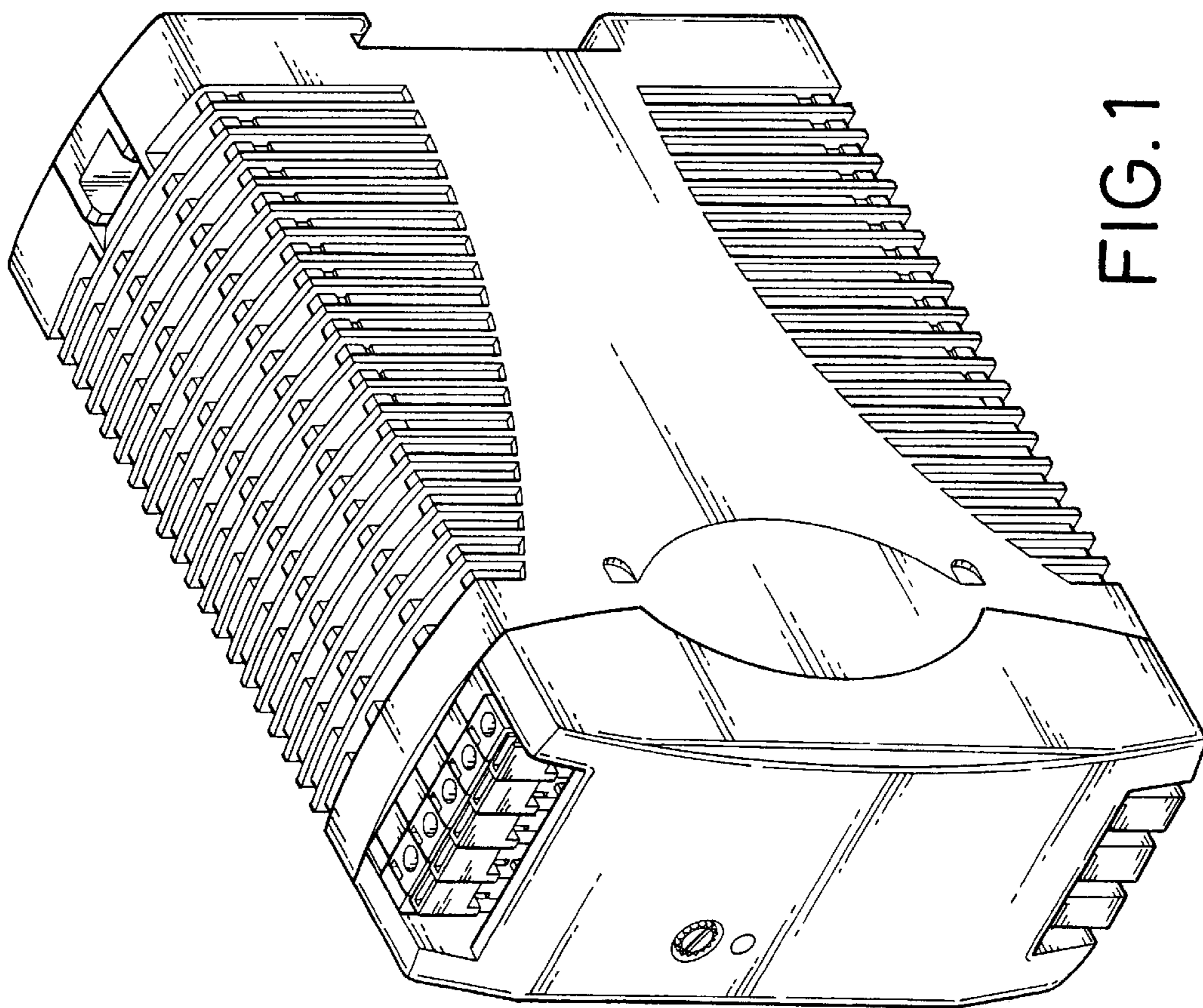


FIG. 1

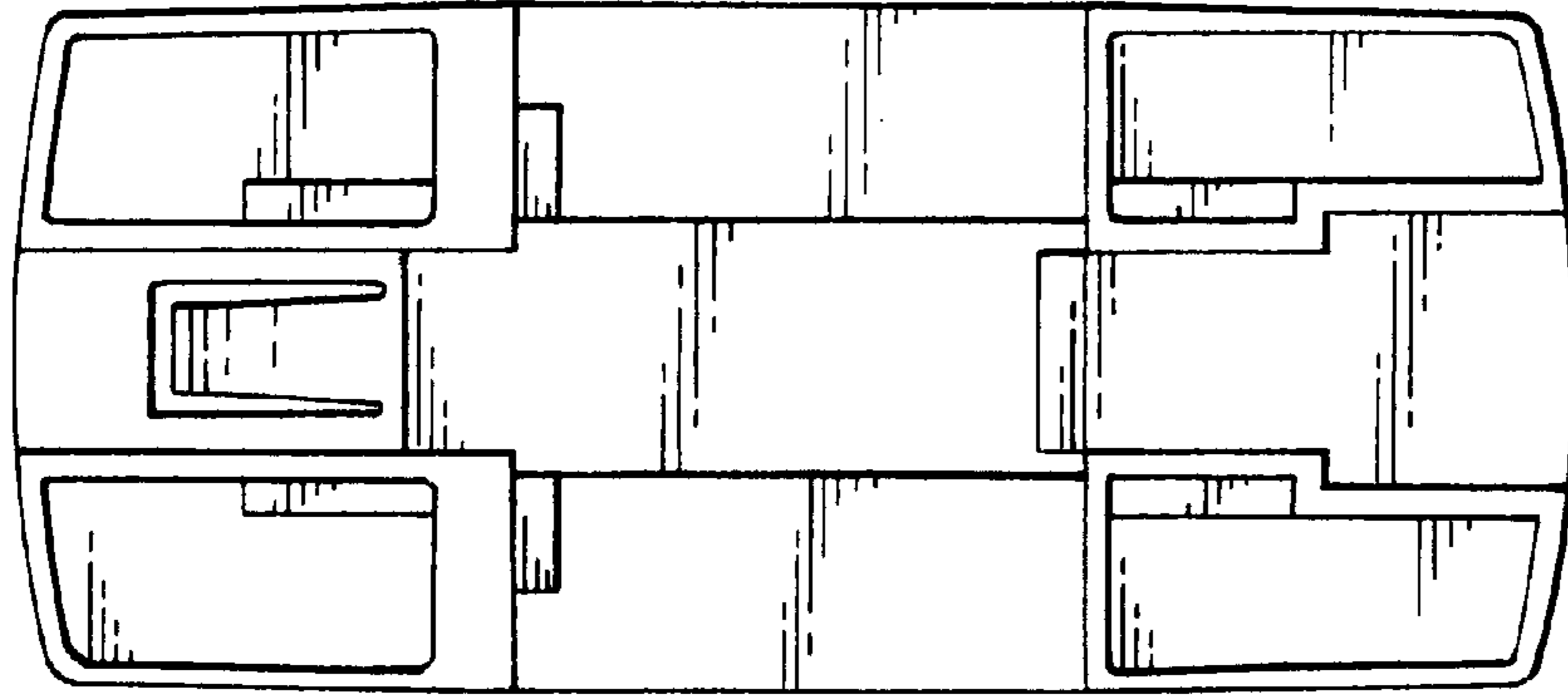


FIG. 3

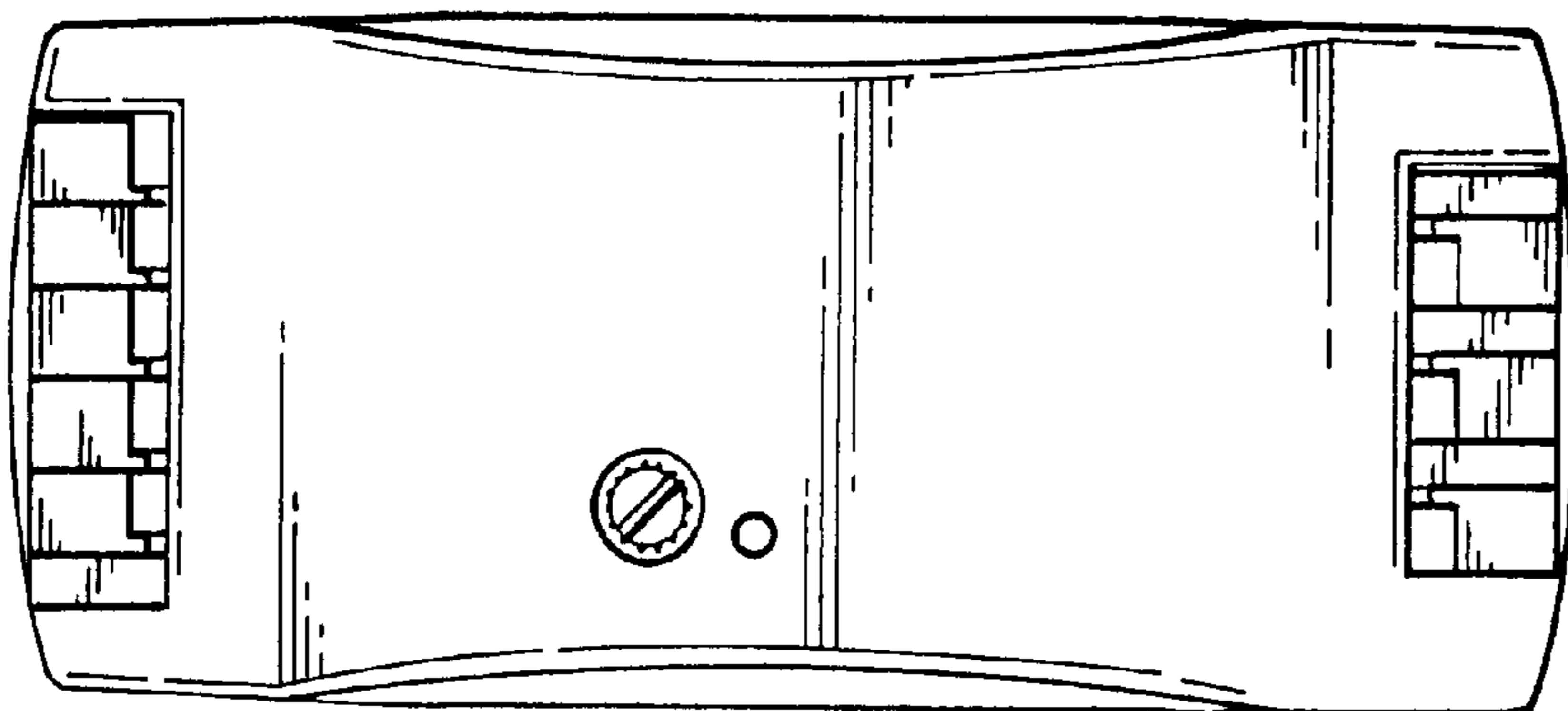


FIG. 2

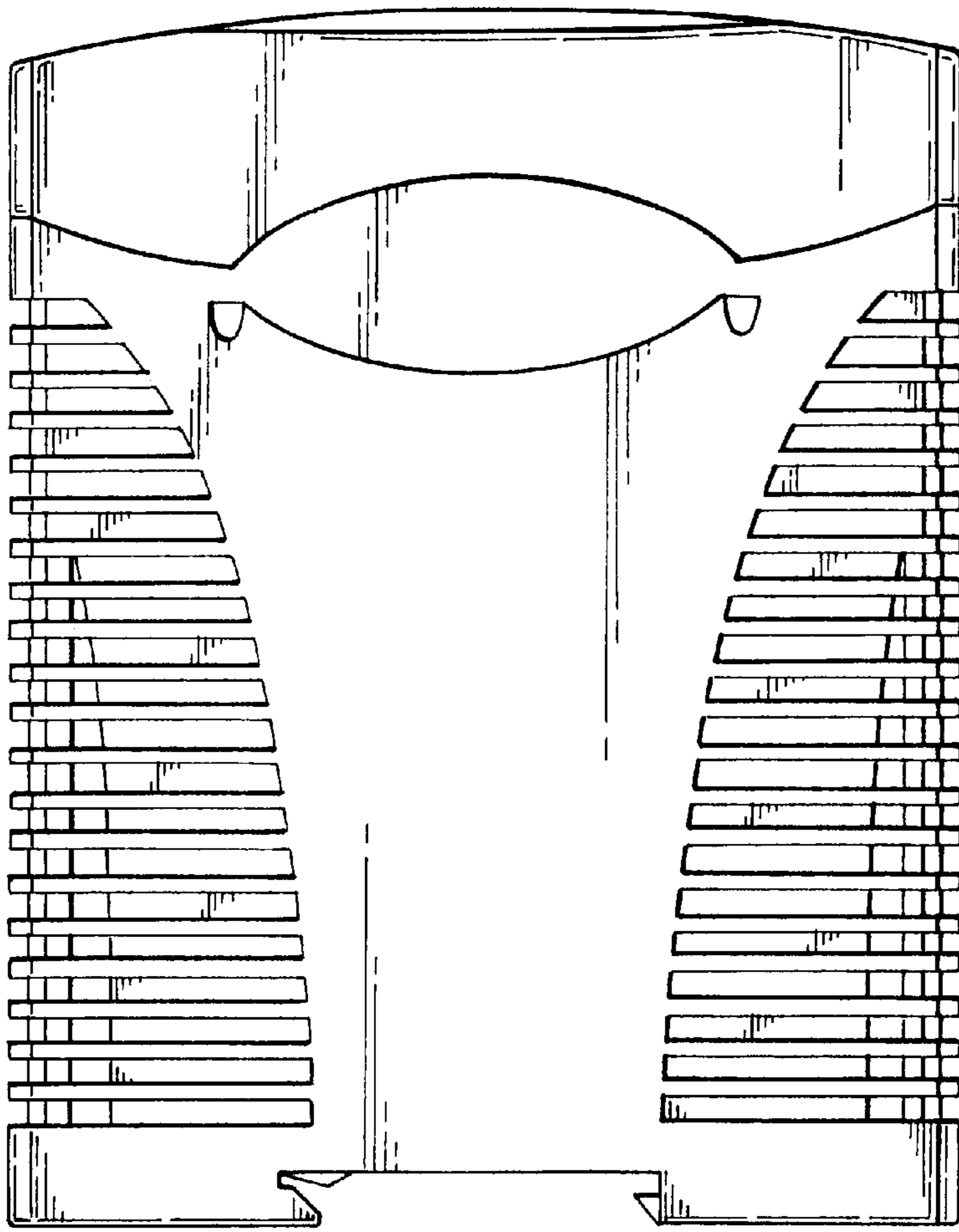


FIG. 4

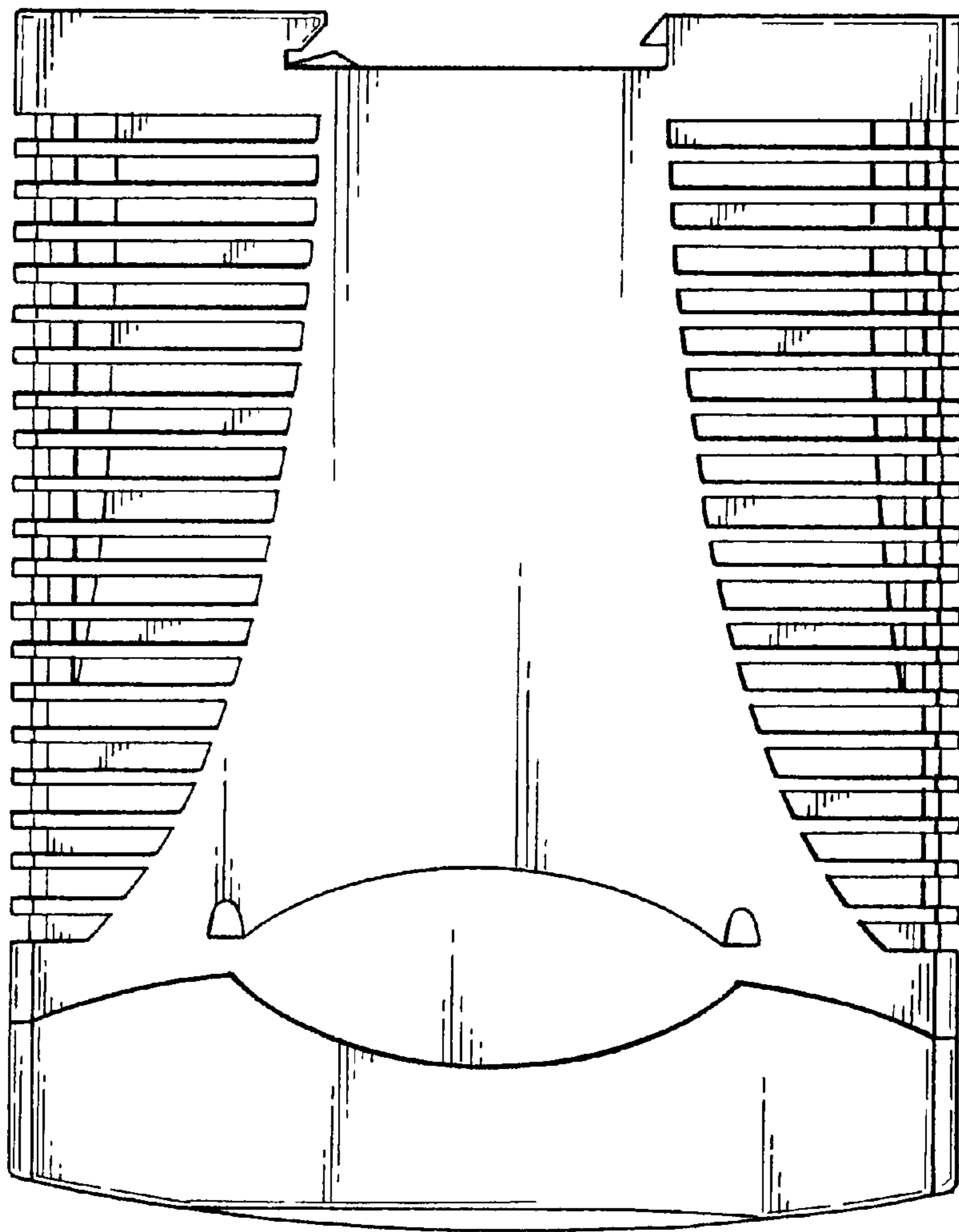


FIG. 5

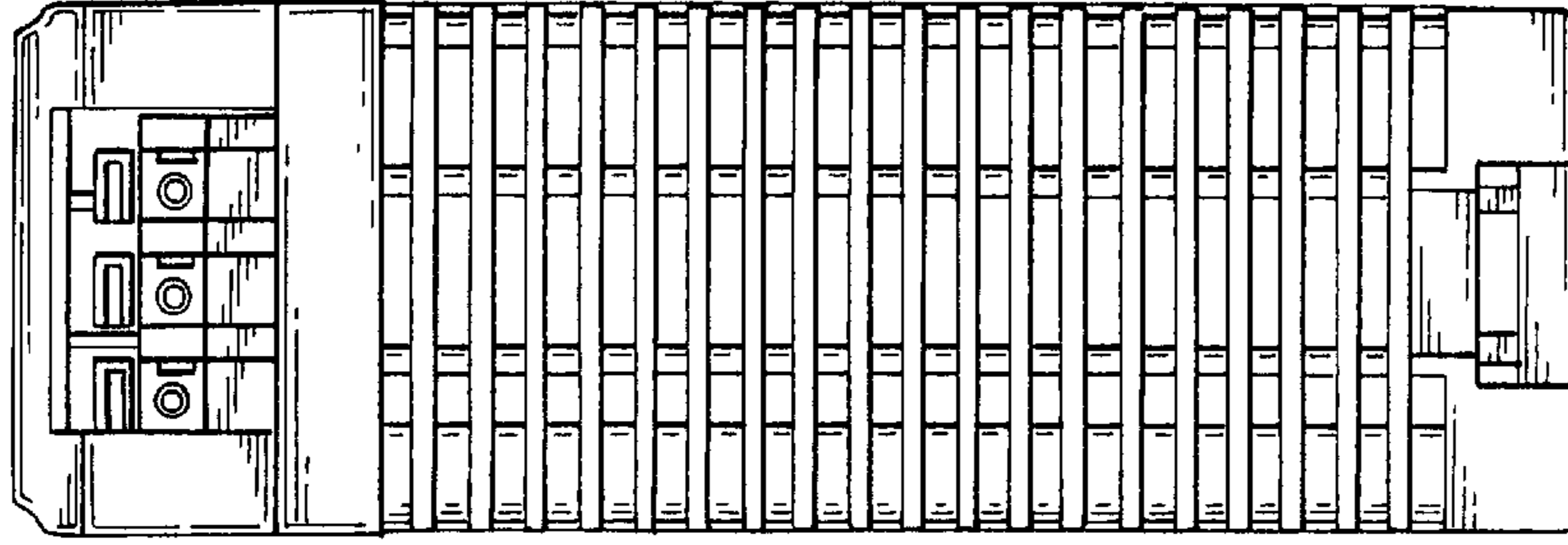


FIG. 7

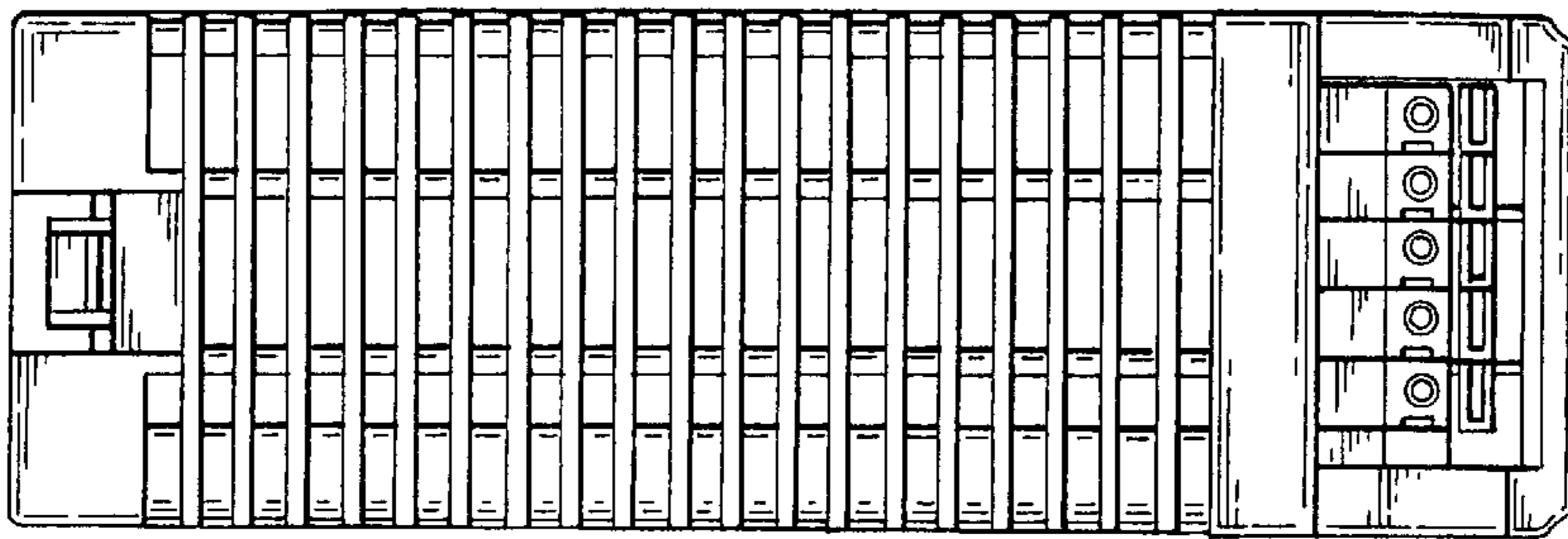


FIG. 6