



US00D483328S

(12) **United States Design Patent**
Suzuki

(10) **Patent No.:** **US D483,328 S**

(45) **Date of Patent:** **** Dec. 9, 2003**

(54) **COMBINED CHARGER AND INFRARED RAY EMITTER FOR HEADPHONE**

2002/0160709 A1 * 10/2002 Kuo 455/3.06

OTHER PUBLICATIONS

(75) Inventor: **Satoshi Suzuki**, Tokyo (JP)

Catalog "Value up, headphone, active speaker, microphone & earset/headset," 3 sheets, Sony (Jan. 2002).

(73) Assignee: **Sony Corporation**, Tokyo (JP)

* cited by examiner

(**) Term: **14 Years**

Primary Examiner—Joel Sincavage

(21) Appl. No.: **29/175,771**

(74) *Attorney, Agent, or Firm*—Rader, Fishman & Grauer PLLC

(22) Filed: **Feb. 11, 2003**

(51) **LOC (7) Cl.** **13-02**

(52) **U.S. Cl.** **D13/108; D14/155**

(58) **Field of Search** D13/107, 108;
D14/155, 205; 455/3.06, 91, 128, 351

(57) **CLAIM**

The ornamental design for a combined charger and infrared ray emitter for headphone, as shown.

DESCRIPTION

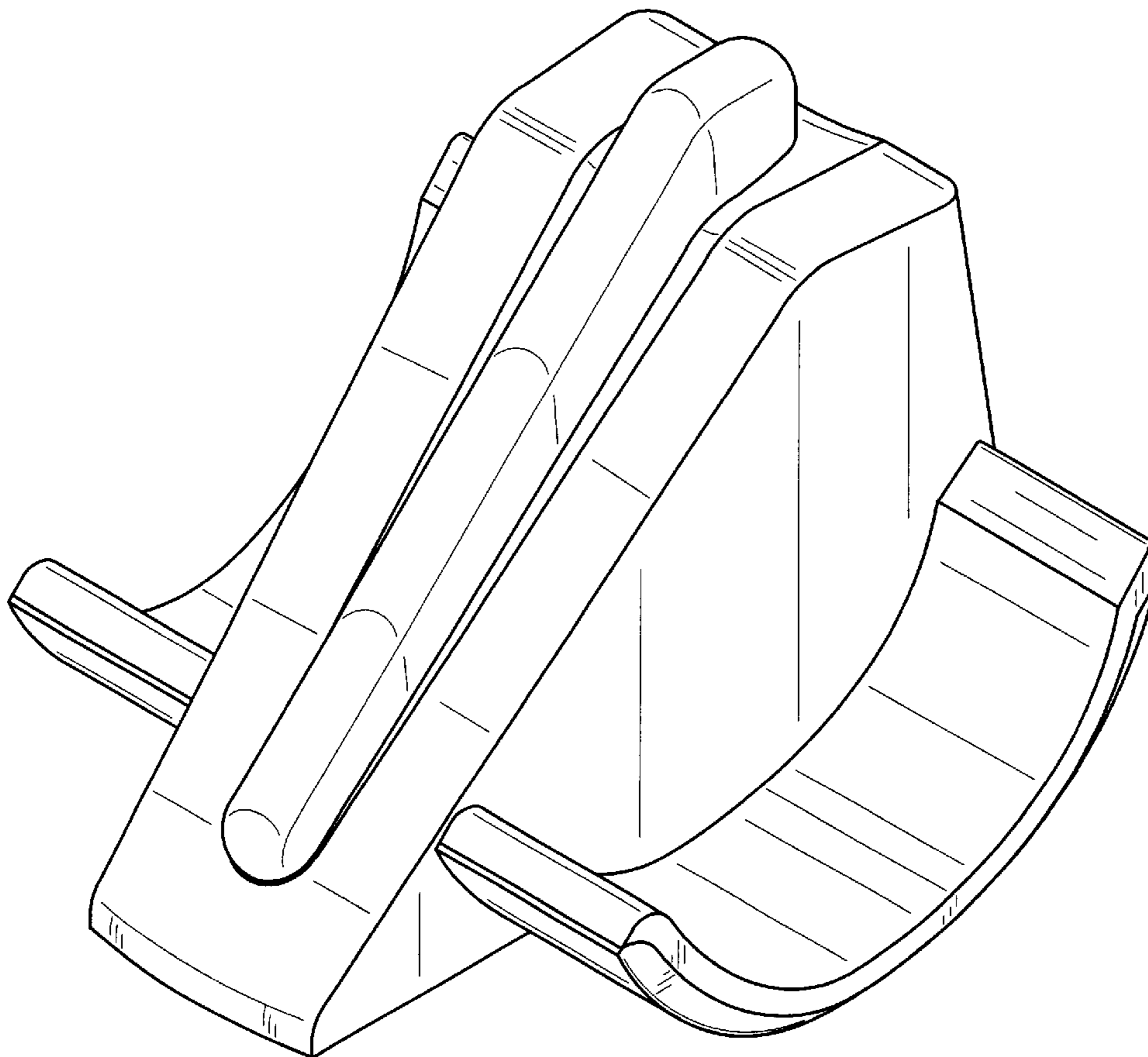
(56) **References Cited**

FIG. 1 is a perspective view of a combined charger and infrared ray emitter for headphone showing my new design; FIG. 2 is a front elevational view thereof; FIG. 3 is a rear elevational view thereof; FIG. 4 is a left side elevational view thereof; FIG. 5 is a right side elevational view thereof; FIG. 6 is a top plan view thereof; and, FIG. 7 is a bottom plan view thereof.

U.S. PATENT DOCUMENTS

D325,578 S	*	4/1992	Daido et al.	D14/155
D350,956 S	*	9/1994	Sumikawa	D14/155
D355,913 S	*	2/1995	Chong	D14/168
D357,248 S	*	4/1995	Cheng	D14/137
D391,964 S	*	3/1998	Balzano	D14/205 X
D456,351 S		4/2002	Yoneda		
D467,539 S	*	12/2002	Kataoka	D13/108
2002/0117996 A1	*	8/2002	Cheng	320/114

1 Claim, 4 Drawing Sheets



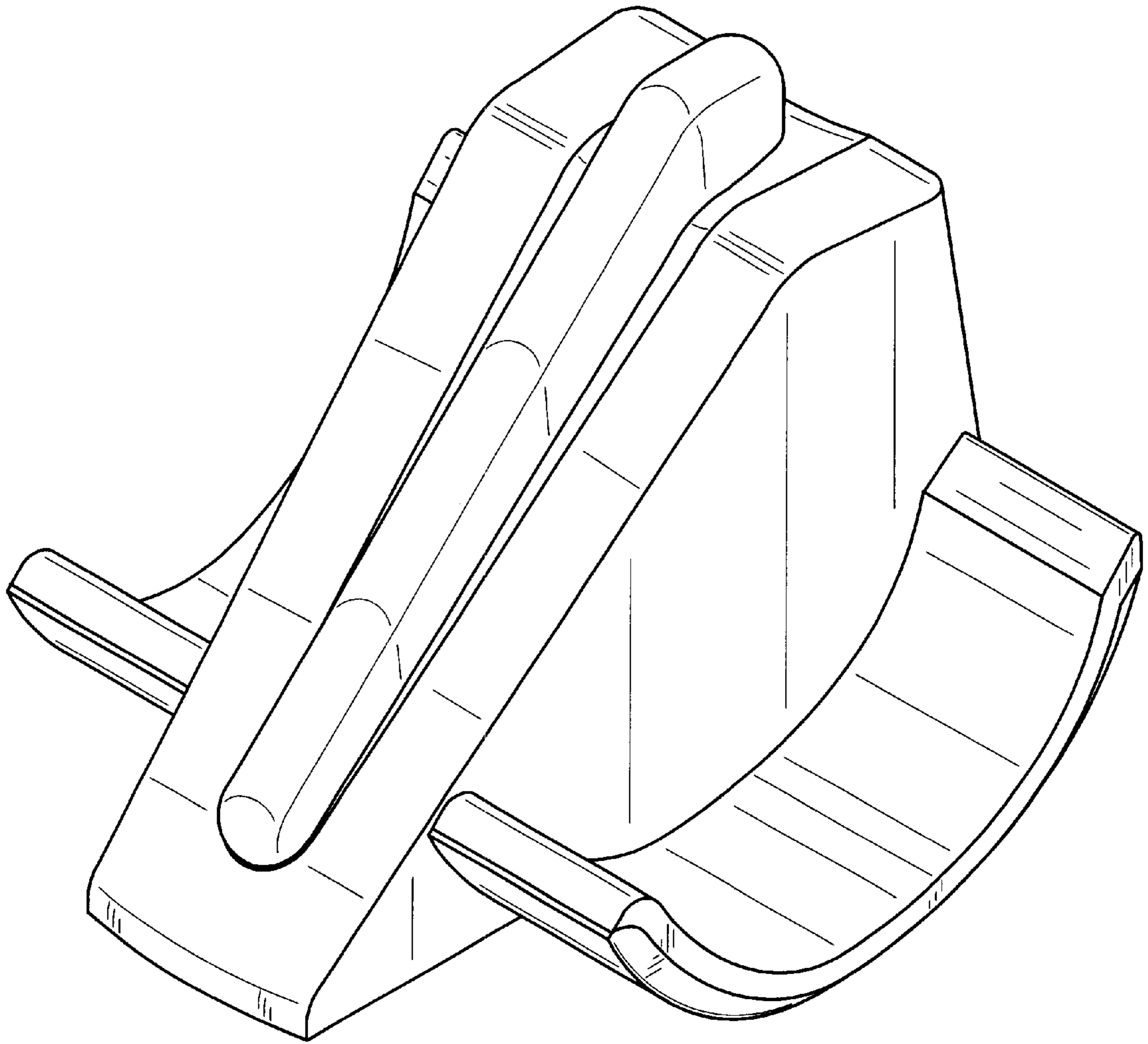


FIG. 1

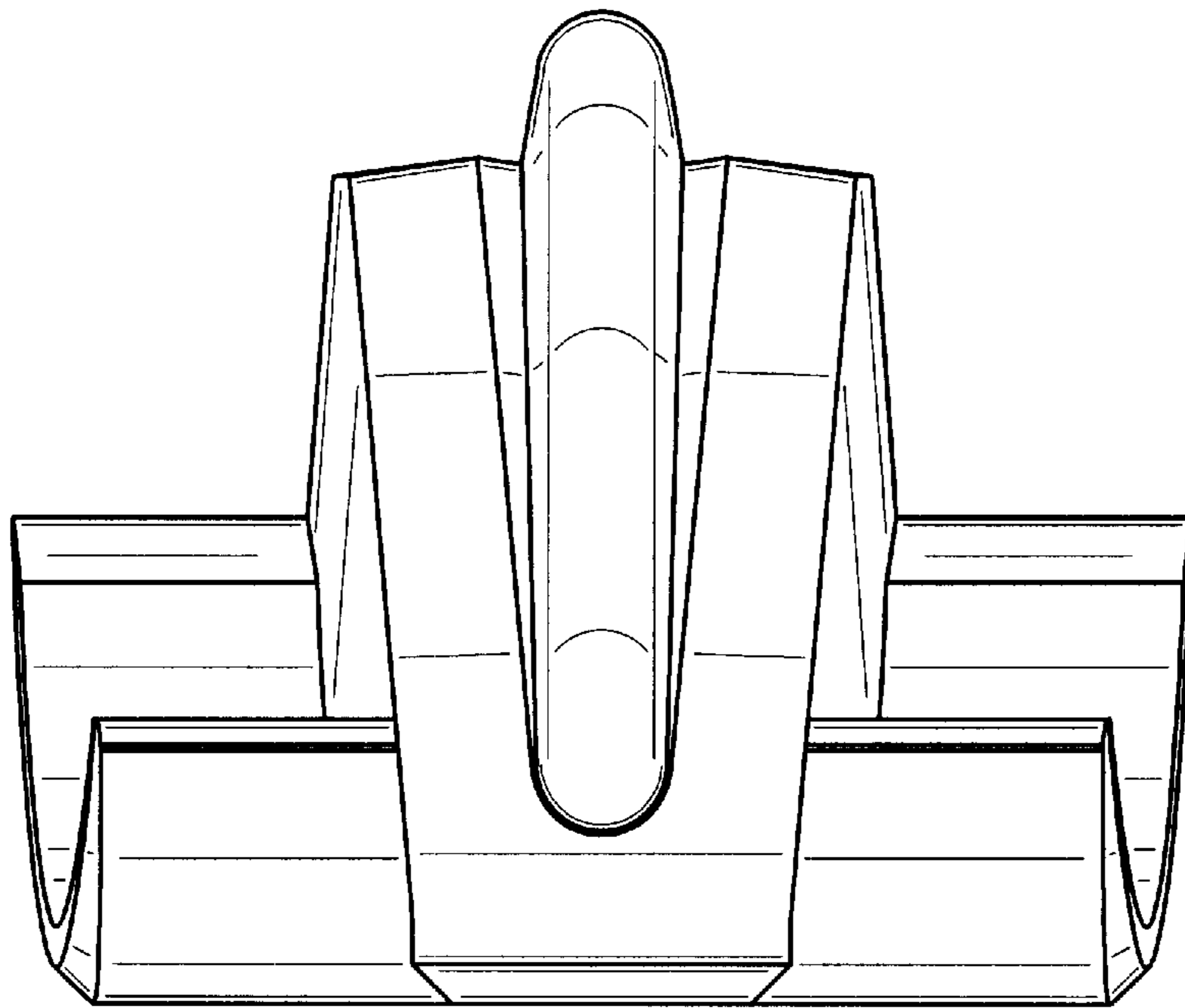


FIG. 2

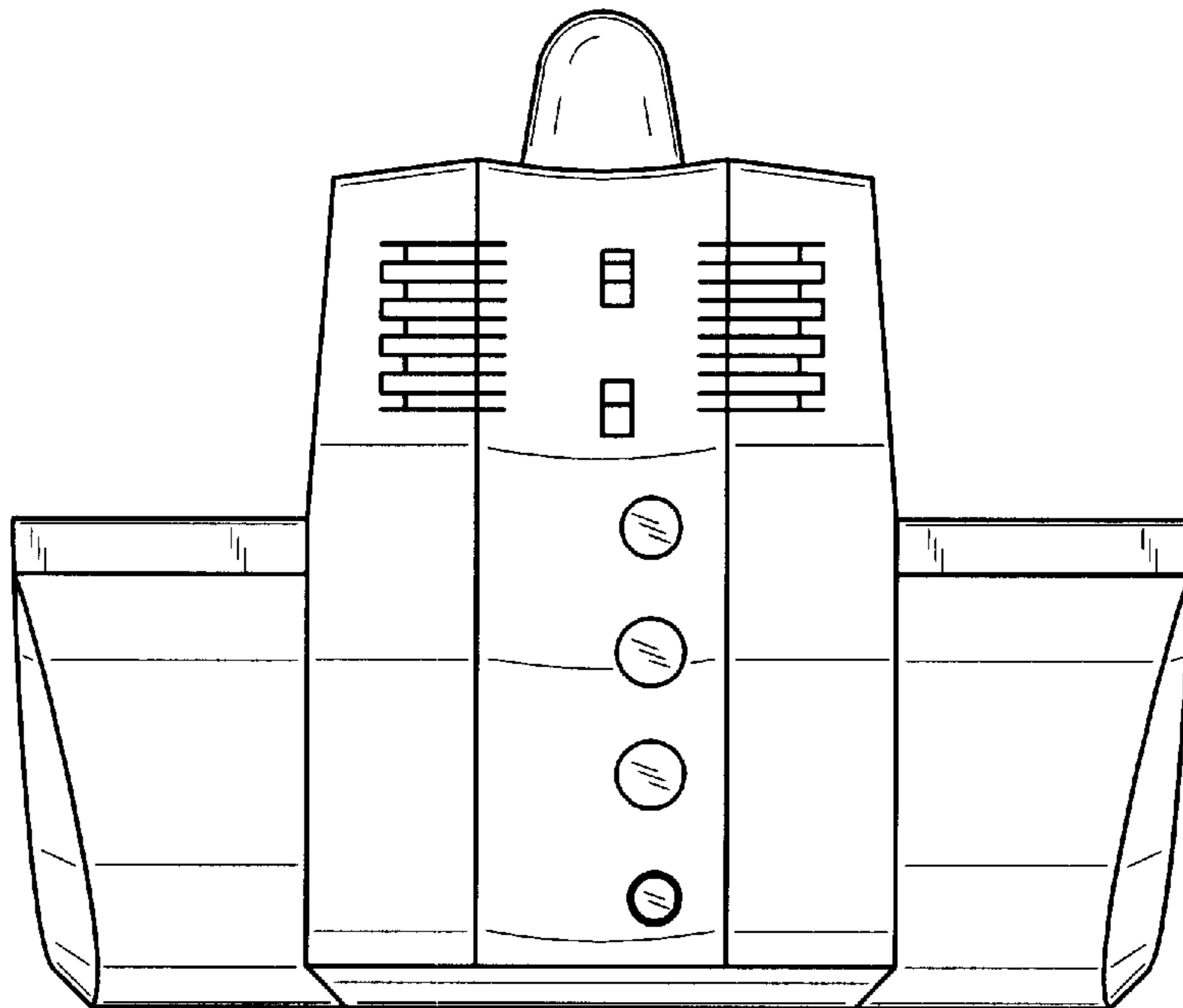


FIG. 3

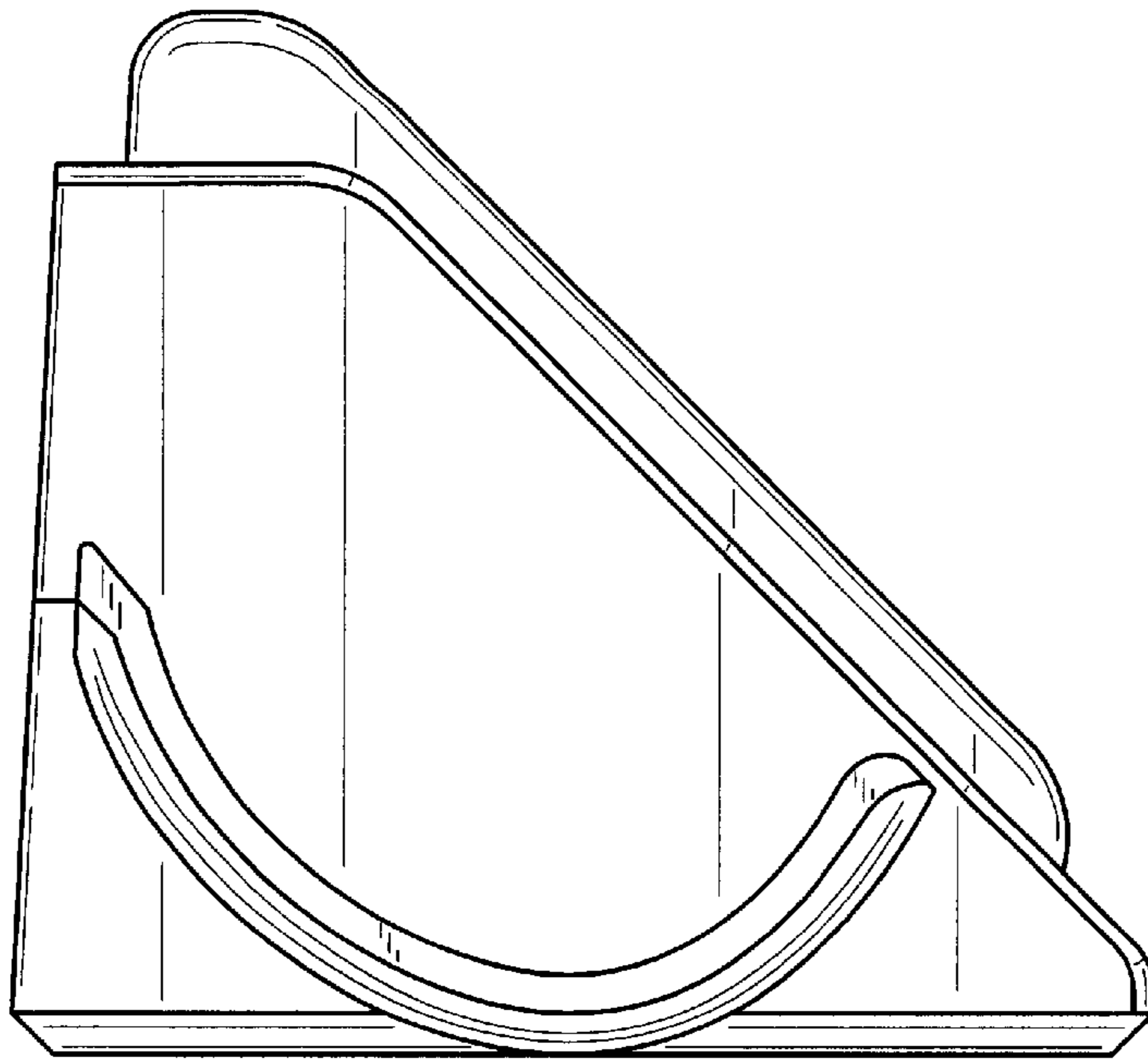


FIG. 4

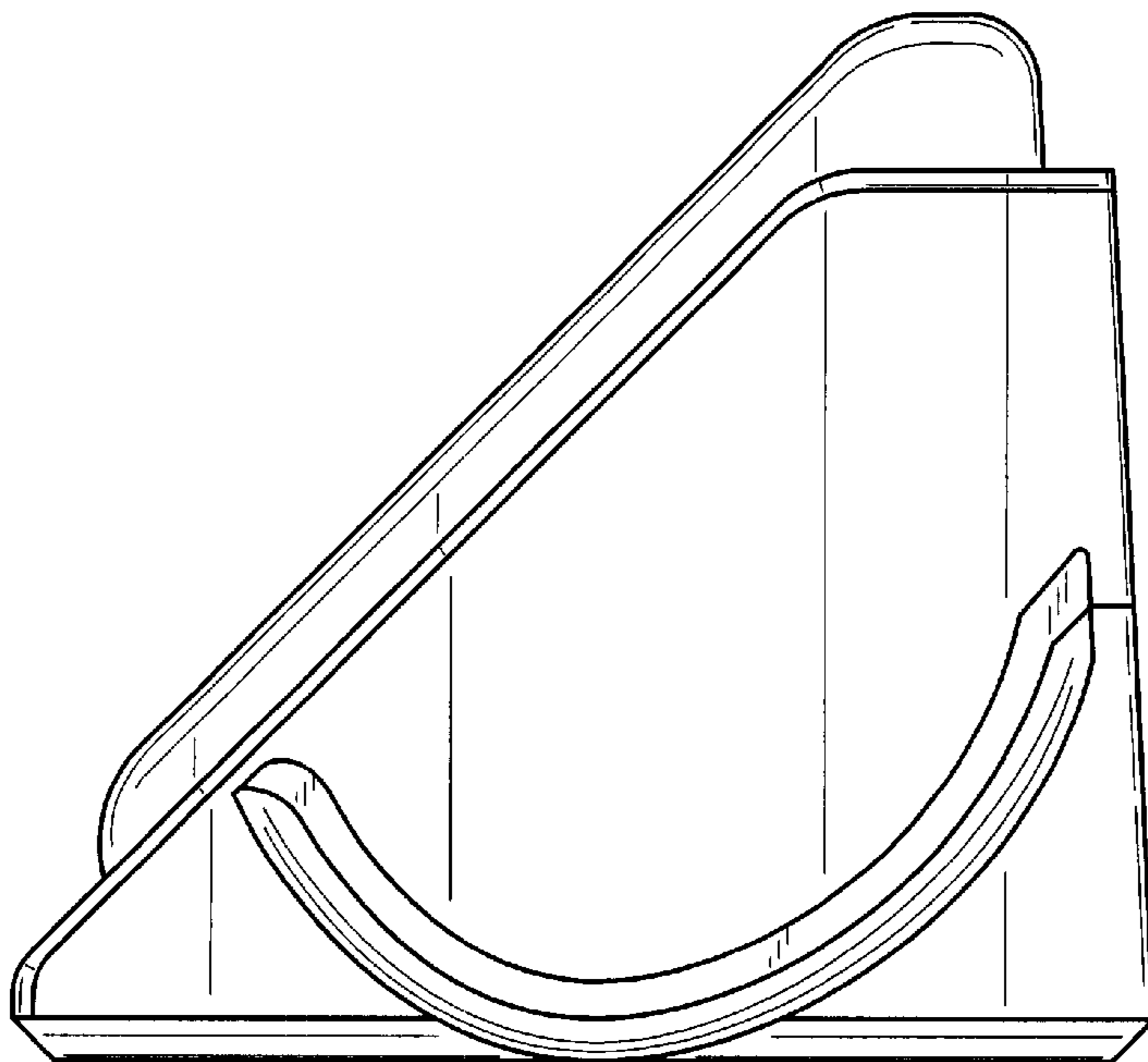


FIG. 5

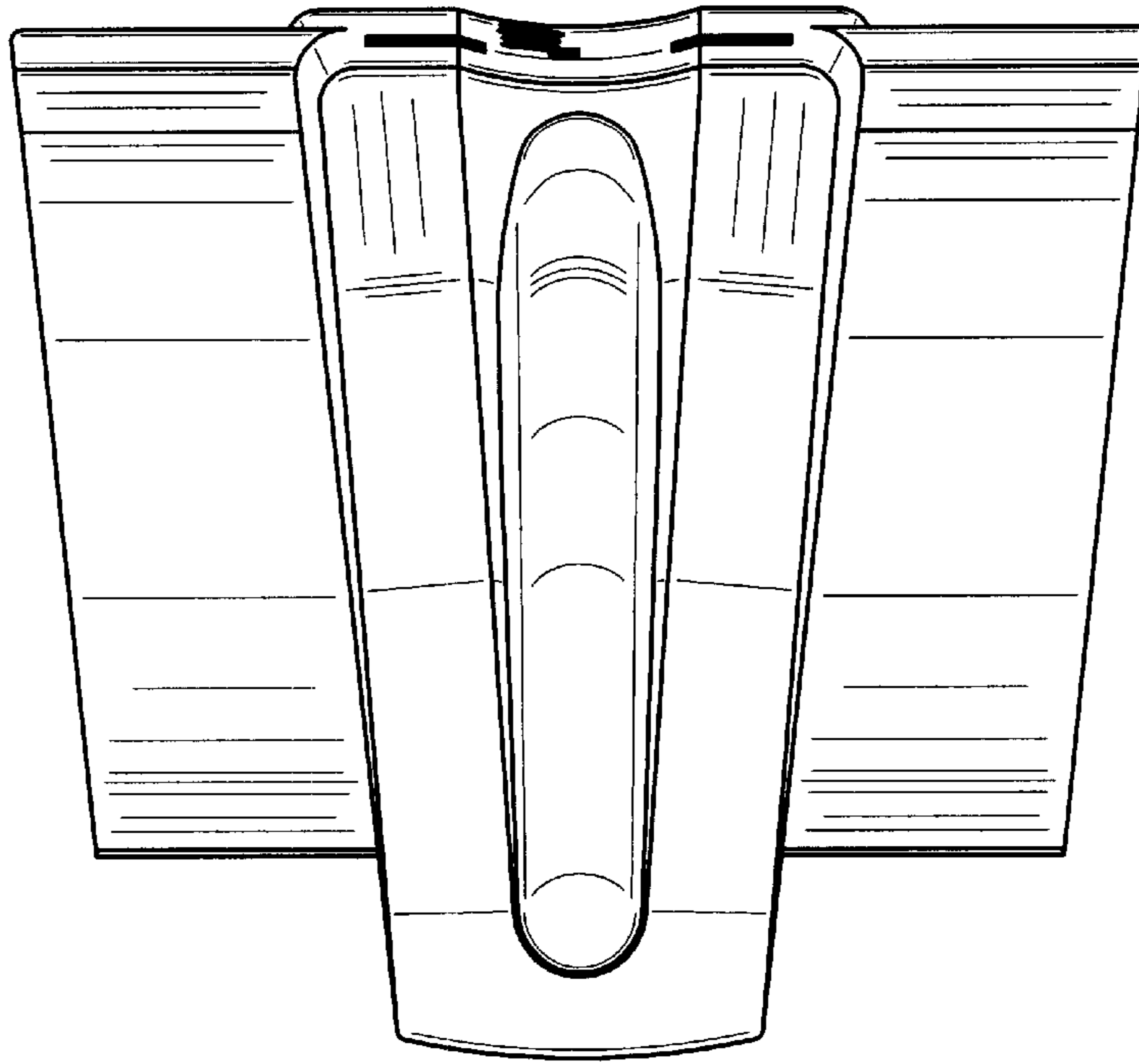


FIG. 6

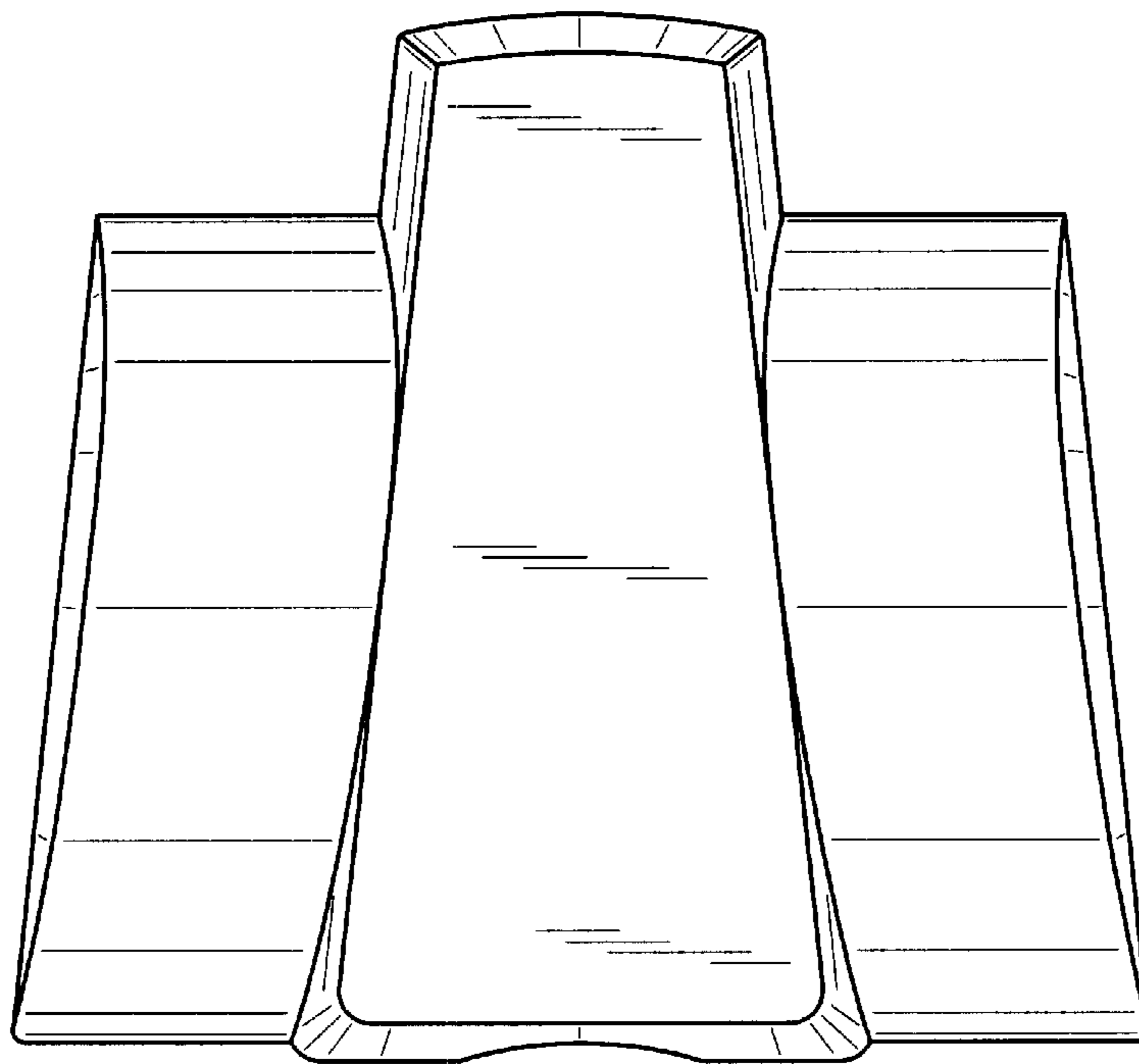


FIG. 7