



US00D483327S

(12) **United States Design Patent**  
**Matsuoka**

(10) **Patent No.:** **US D483,327 S**

(45) **Date of Patent:** **\*\* Dec. 9, 2003**

(54) **COMBINED CHARGER AND INFRARED RAY EMITTER FOR HEADPHONE**

2002/0117996 A1 8/2002 Cheng ..... 320/114  
2002/0160709 A1 10/2002 Kuo ..... 455/3.06

(75) Inventor: **Yoshimichi Matsuoka**, Tokyo (JP)

**OTHER PUBLICATIONS**

(73) Assignee: **Sony Corporation**, Tokyo (JP)

Catalog "Value up, Headphone, Active speaker, Microphone & Earset/Headset," 3 sheets, Sony (01/2002)

(\*\*) Term: **14 Years**

*Primary Examiner*—Joel Sincavage

(21) Appl. No.: **29/175,741**

(74) *Attorney, Agent, or Firm*—Rader, Fishman & Grauer PLLC

(22) Filed: **Feb. 11, 2003**

(57) **CLAIM**

(51) **LOC (7) Cl.** ..... **13-02**

The ornamental design for a combined charger and infrared ray emitter for headphone, as shown.

(52) **U.S. Cl.** ..... **D13/108**; D14/155

(58) **Field of Search** ..... D13/107, 108;  
D14/155, 205; 455/3.06, 91, 128, 351

**DESCRIPTION**

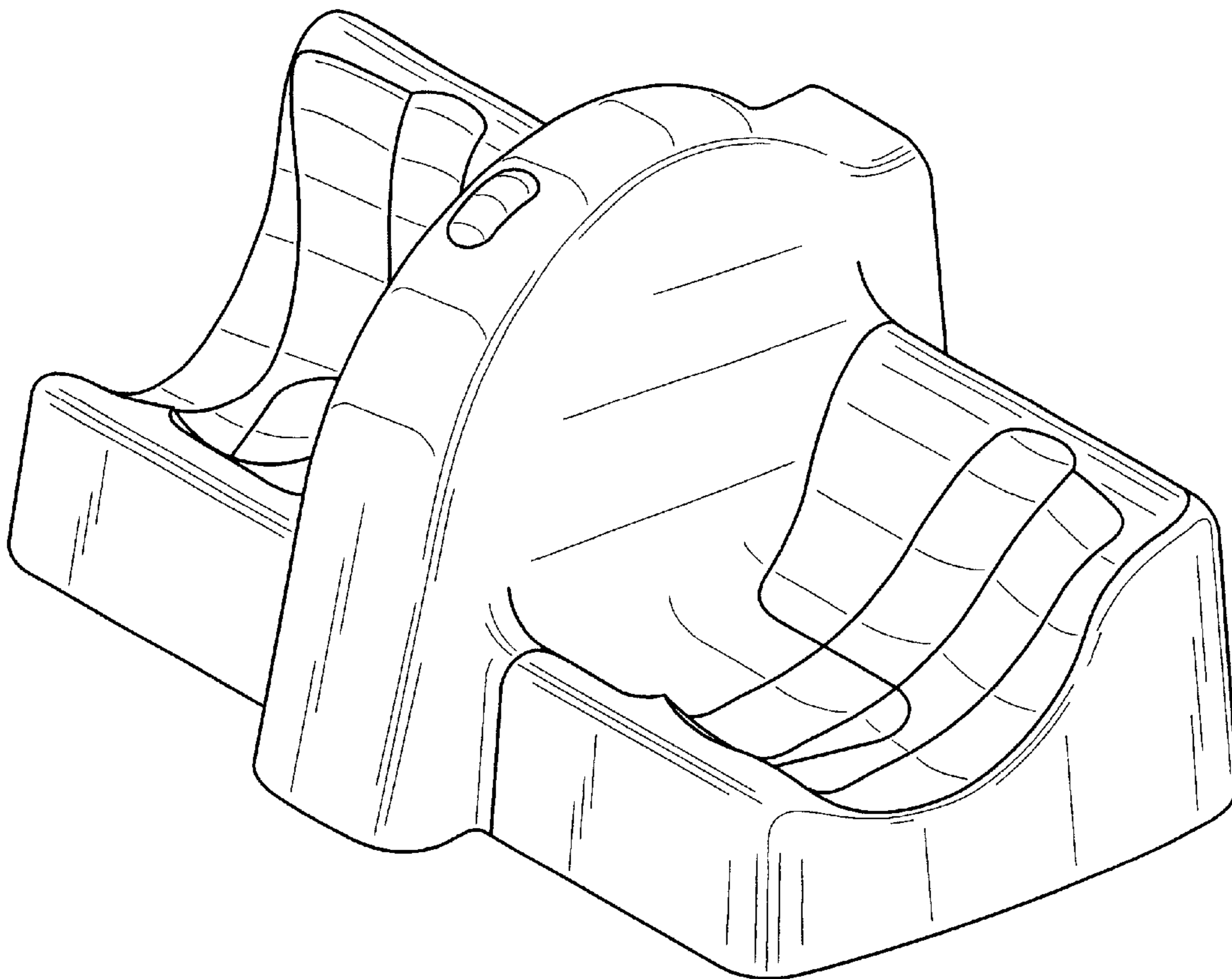
(56) **References Cited**

FIG. 1 is a perspective view of a combined charger and infrared ray emitter for headphone showing my new design; FIG. 2 is a front elevational view thereof; FIG. 3 is a rear elevational view thereof; FIG. 4 is a left side elevational view thereof; FIG. 5 is a right side elevational view thereof; FIG. 6 is a top plan view thereof; and, FIG. 7 is a bottom plan view thereof.

**U.S. PATENT DOCUMENTS**

D325,578 S	4/1992	Daido et al.	.....	D14/155
D350,956 S	9/1994	Sumikawa	.....	D14/155
D355,913 S	2/1995	Chong	.....	D14/168
D357,248 S	4/1995	Cheng	.....	D14/137
D391,964 S	3/1998	Balzano	.....	D14/205 X
D456,351 S	4/2002	Yoneda	.....	D13/108
D467,539 S	12/2002	Kataoka	.....	D13/108

**1 Claim, 4 Drawing Sheets**



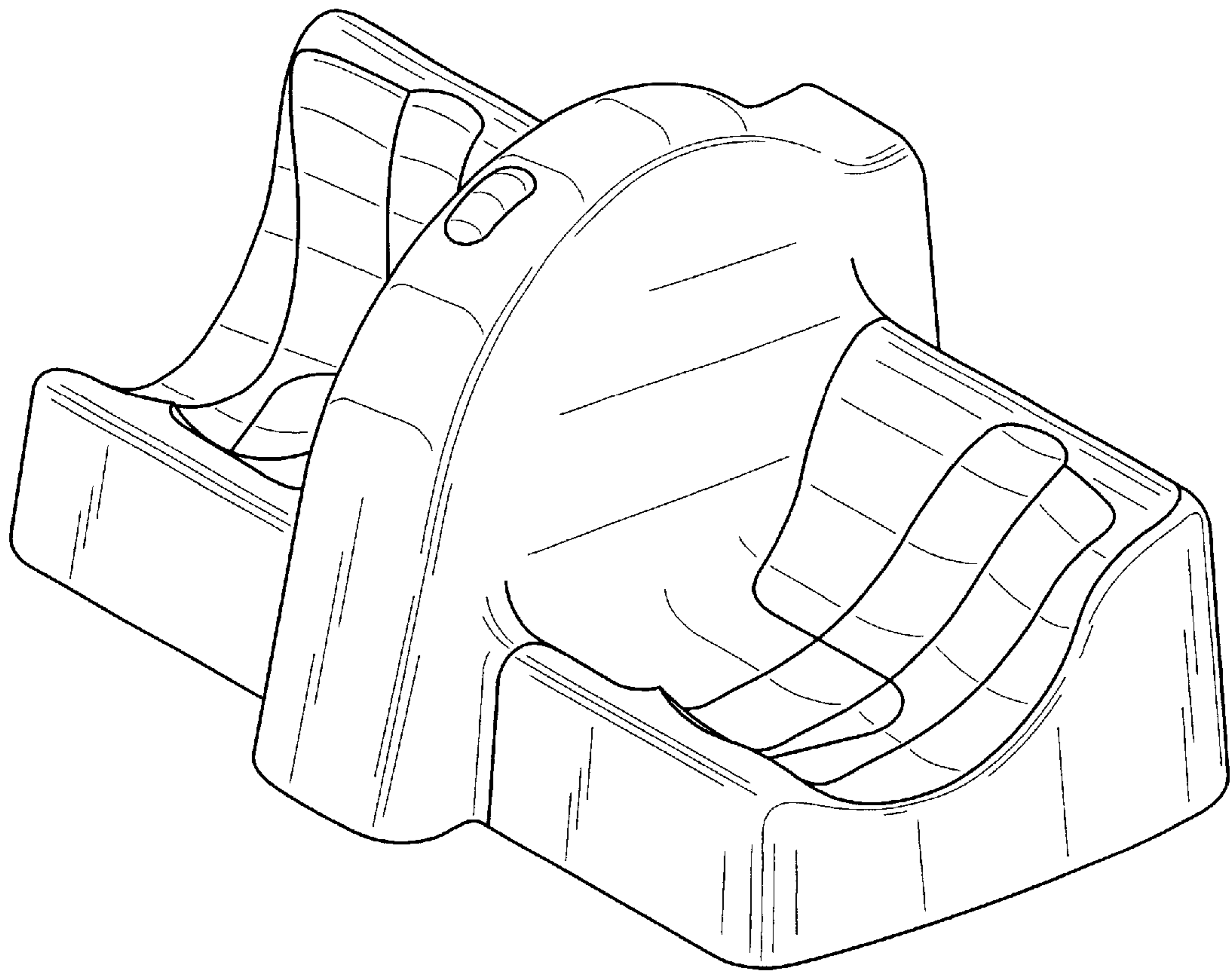


FIG. 1

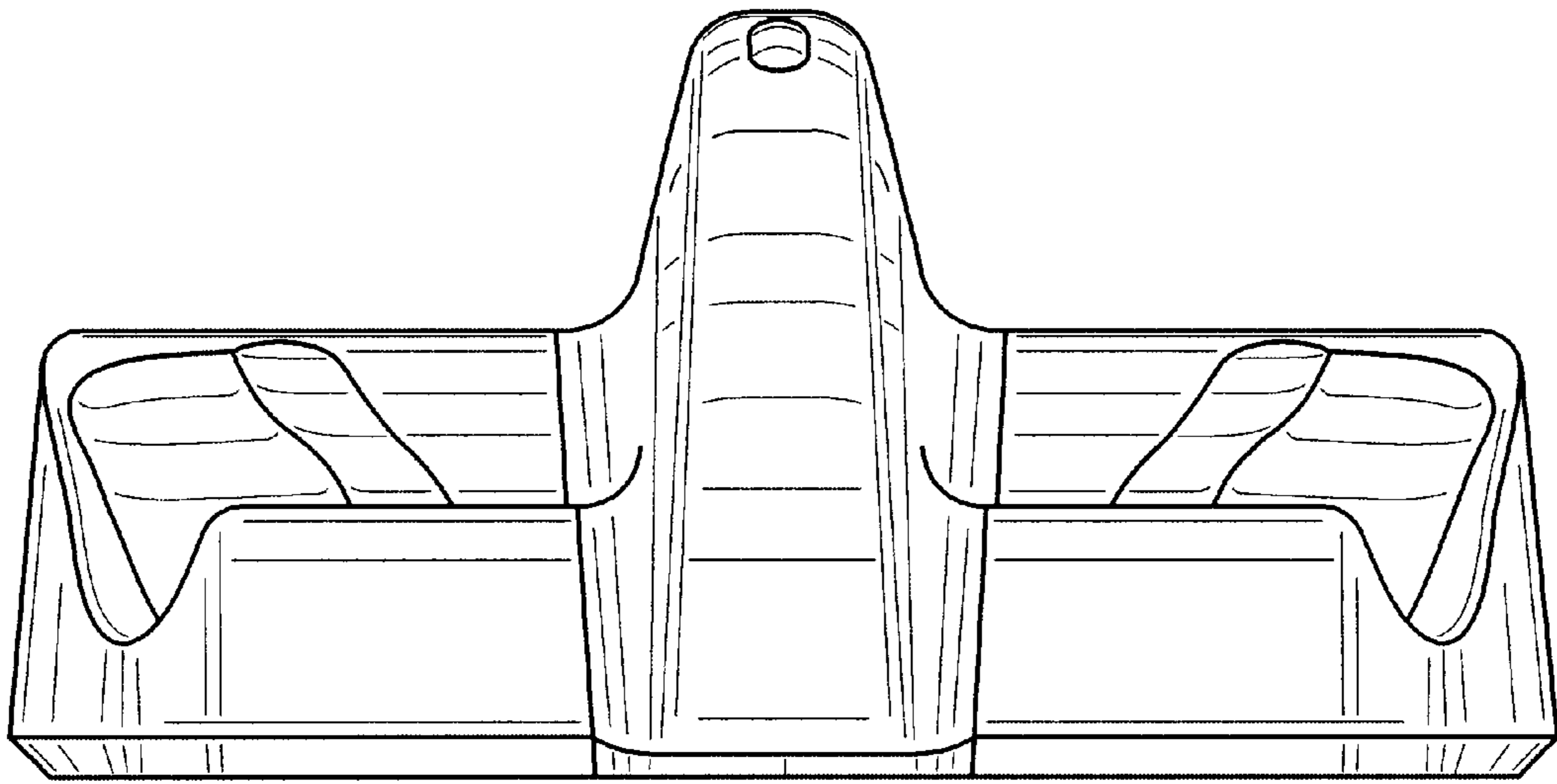


FIG. 2

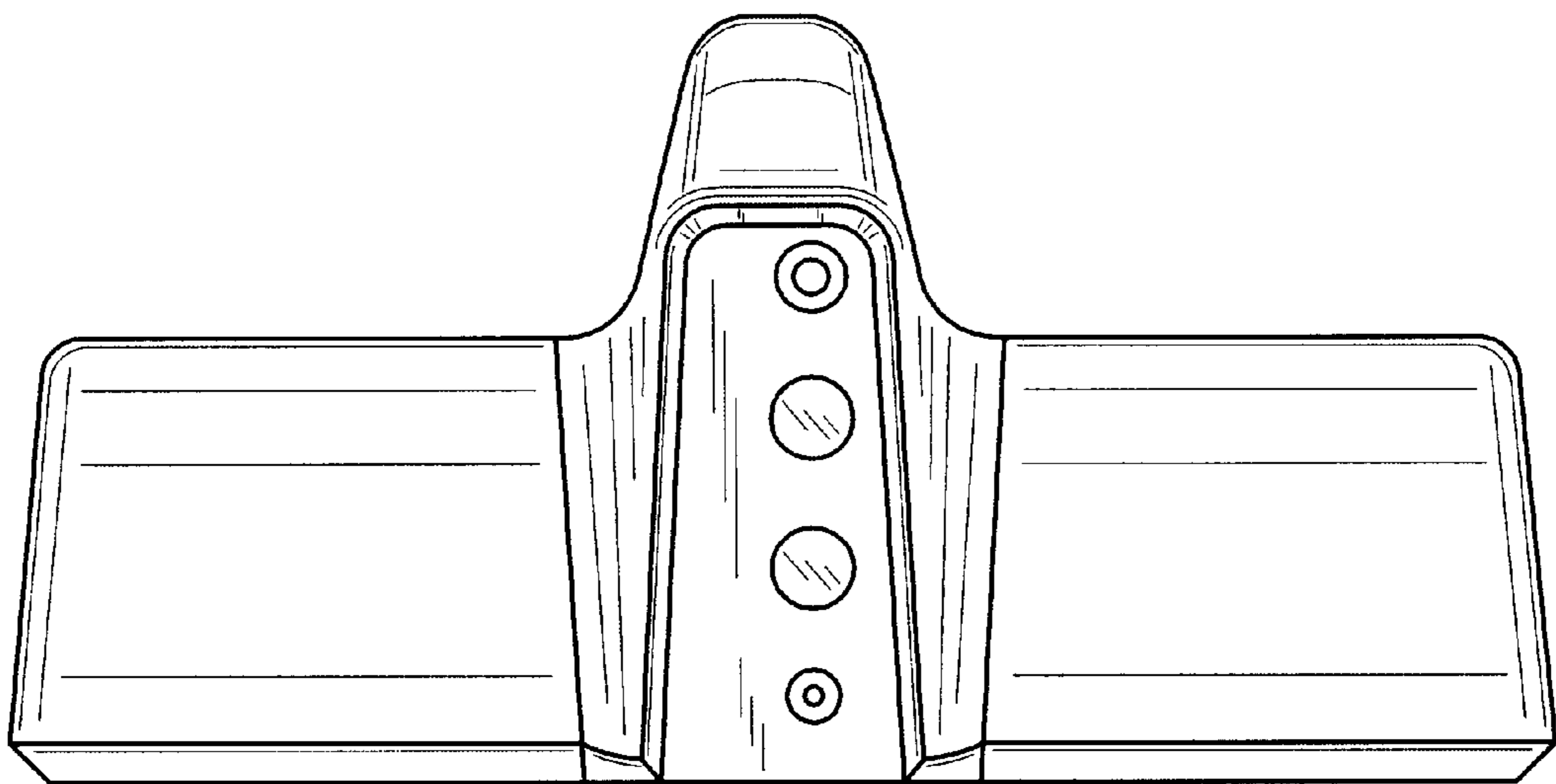


FIG. 3

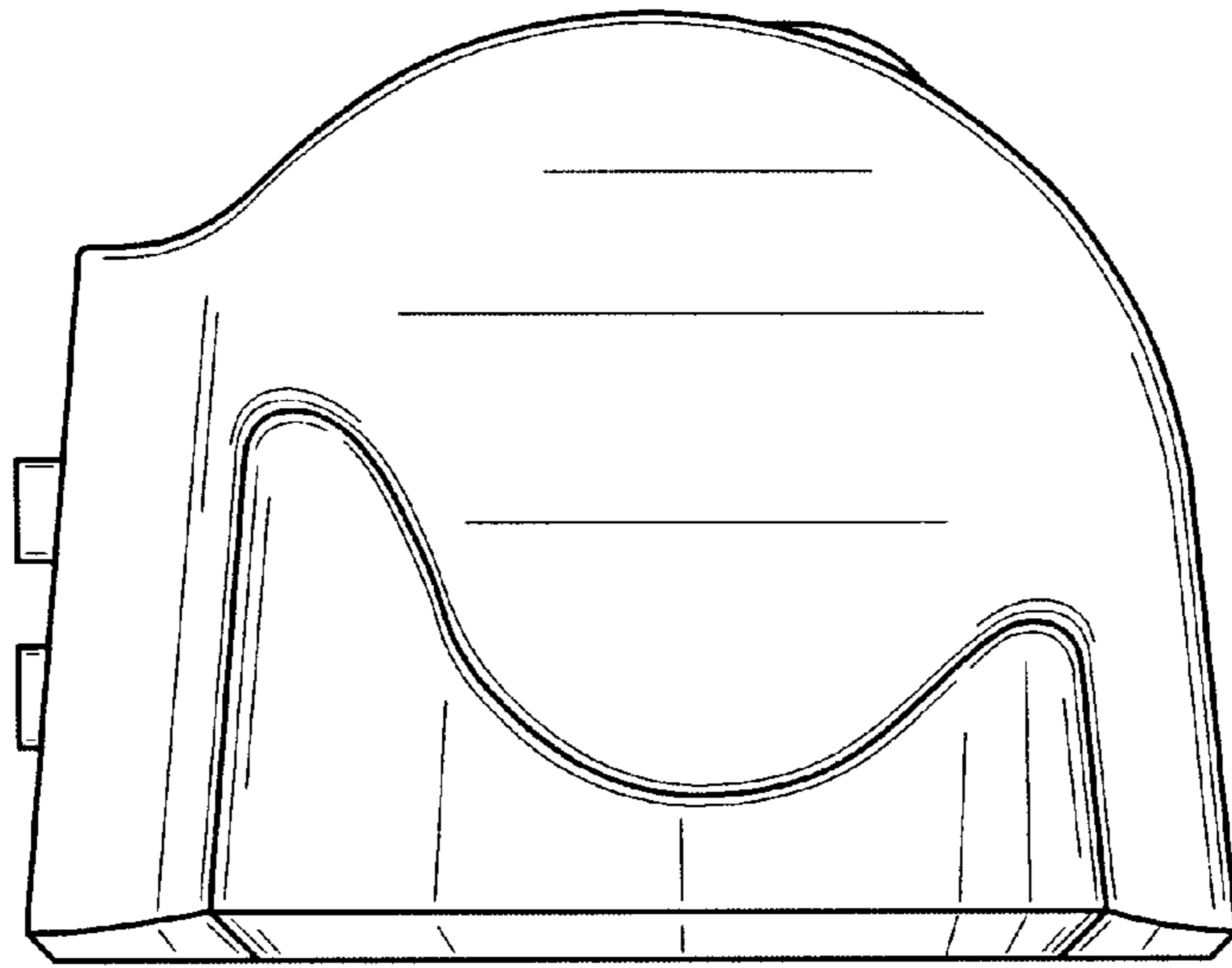


FIG. 4

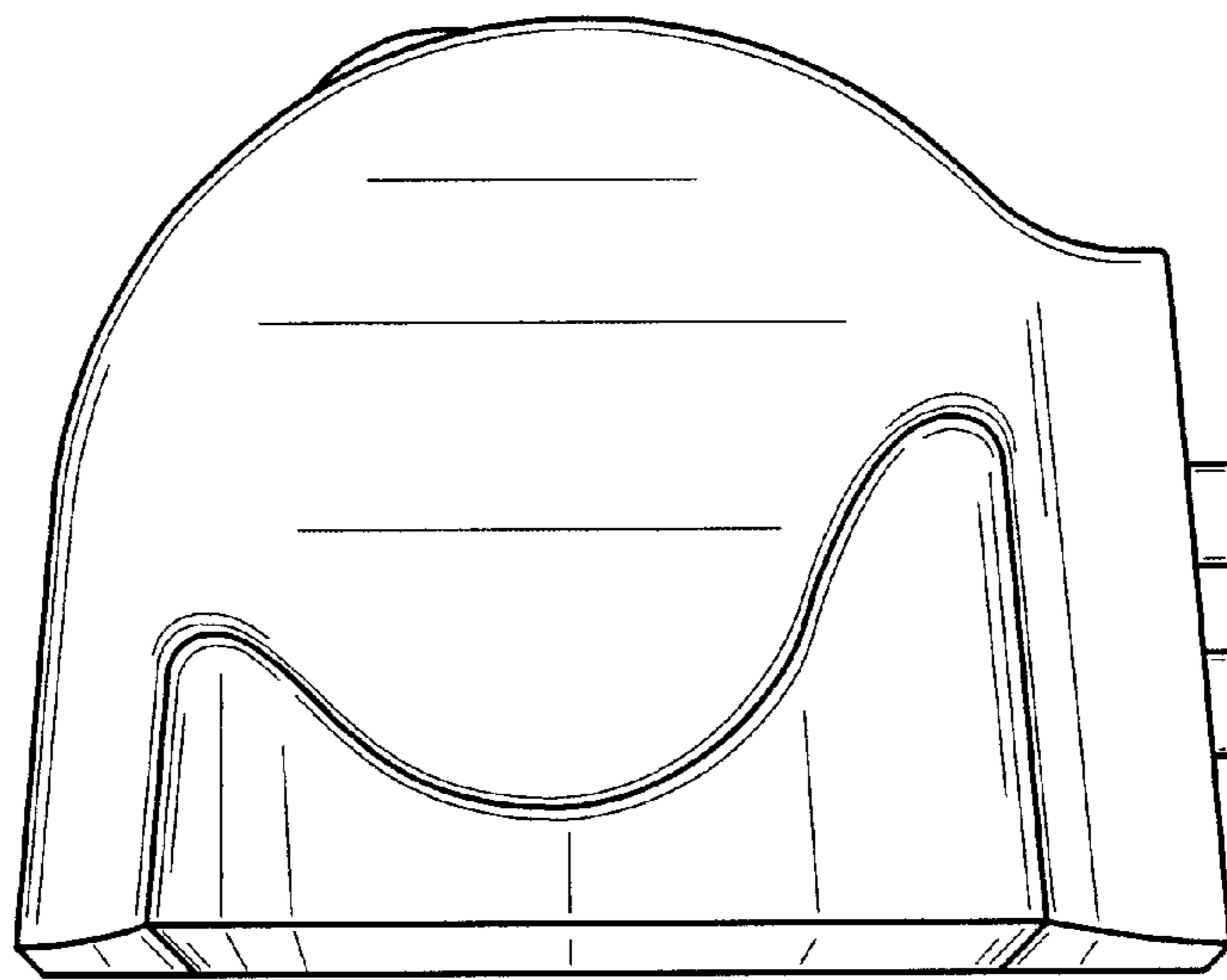


FIG. 5

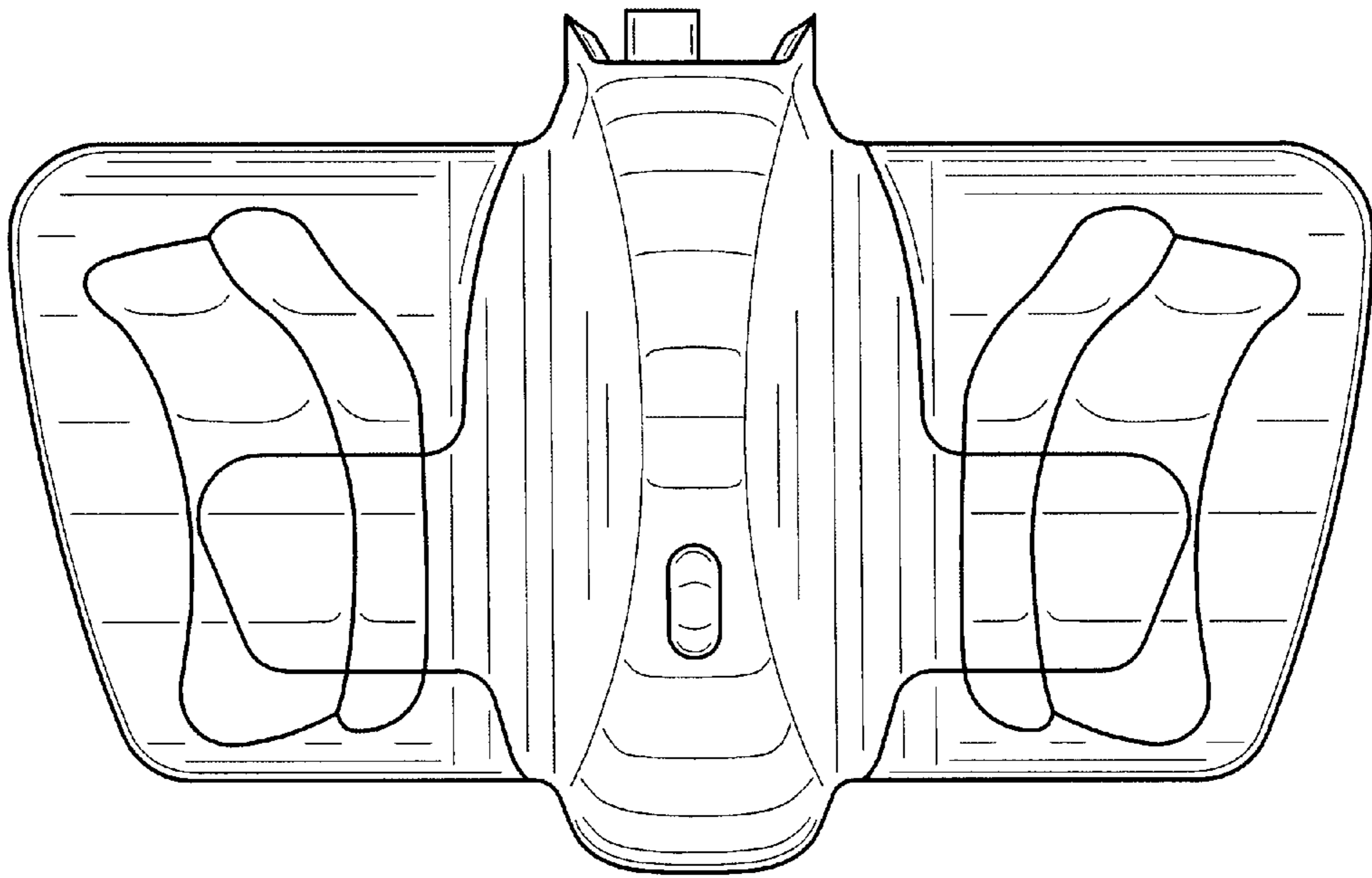


FIG. 6

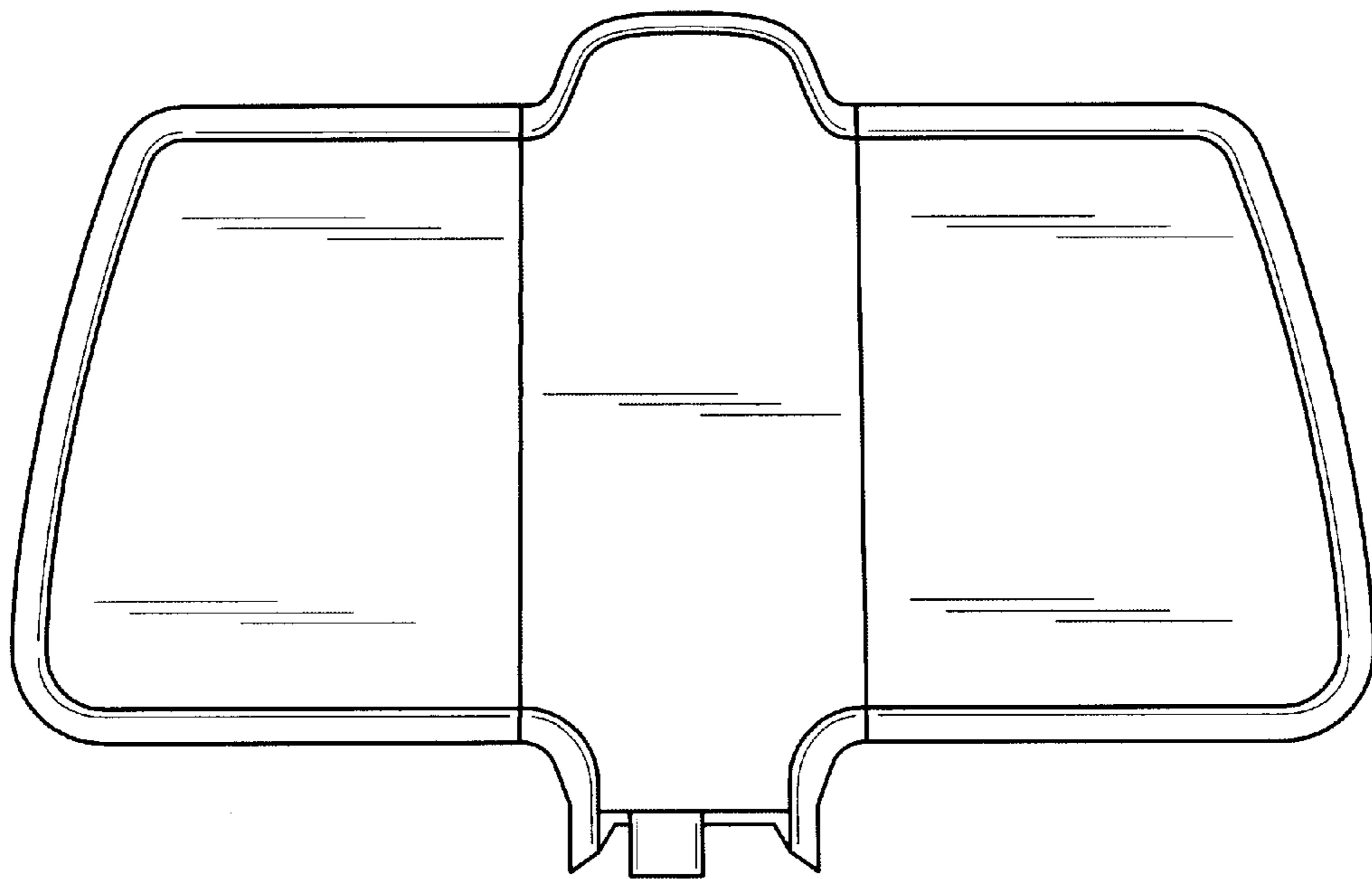


FIG. 7