



US00D483326S

(12) **United States Design Patent**  
**Krieger et al.**

(10) **Patent No.:** **US D483,326 S**

(45) **Date of Patent:** **\*\* Dec. 9, 2003**

(54) **CHARGER**

(75) Inventors: **Michael Krieger**, Miami Beach, FL  
(US); **Kevin Ellsworth**, Hollywood, FL  
(US)

(73) Assignee: **Vector Products, Inc.**, Ft. Lauderdale,  
FL (US)

(\*\*) Term: **14 Years**

(21) Appl. No.: **29/175,903**

(22) Filed: **Feb. 13, 2003**

(51) **LOC (7) Cl.** ..... **13-02**

(52) **U.S. Cl.** ..... **D13/107**

(58) **Field of Search** ..... D13/106, 107,  
D13/108, 110; 320/107-115

(56) **References Cited**

**U.S. PATENT DOCUMENTS**

D330,187 S	*	10/1992	Shimoo et al.	.....	D13/107
D423,451 S	*	4/2000	Heckenast et al.	.....	D13/110
D429,482 S	*	8/2000	Hussaini et al.	.....	D13/107
D444,122 S	*	6/2001	Krieger et al.	.....	D13/107

6,356,050 B1	*	3/2002	Hussaini	.....	320/105
D462,320 S	*	9/2002	Krieger et al.	.....	D13/107
D464,935 S	*	10/2002	Krieger et al.	.....	D13/110
D474,738 S	*	5/2003	Ishii et al.	.....	D13/110

\* cited by examiner

*Primary Examiner*—Joel Sincavage

(74) *Attorney, Agent, or Firm*—Venable LLP; Robert Kinberg

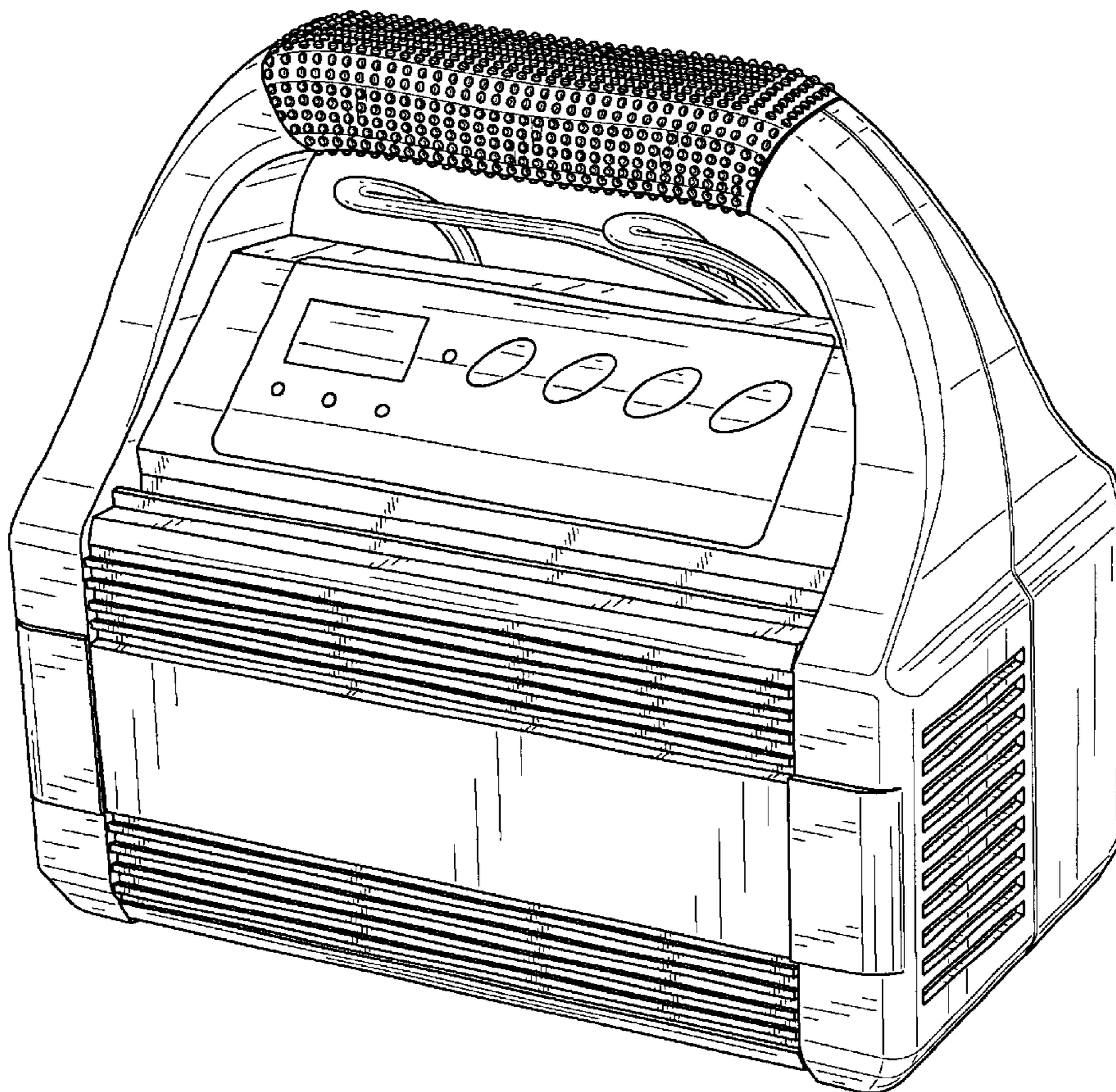
(57) **CLAIM**

The ornamental design for a charger, as shown and described.

**DESCRIPTION**

FIG. 1 is a perspective view from the front-top-right side of the charger showing our new design; FIG. 2 is a front view of the design shown in FIG. 1; FIG. 3 is a rear view of the design shown in FIG. 1; FIG. 4 is a left side view of the design shown in FIG. 1; FIG. 5 is a right side view of the design shown in FIG. 1; FIG. 6 is a top view of the design shown in FIG. 1; and, FIG. 7 is a bottom view of the design shown in FIG. 1.

**1 Claim, 7 Drawing Sheets**



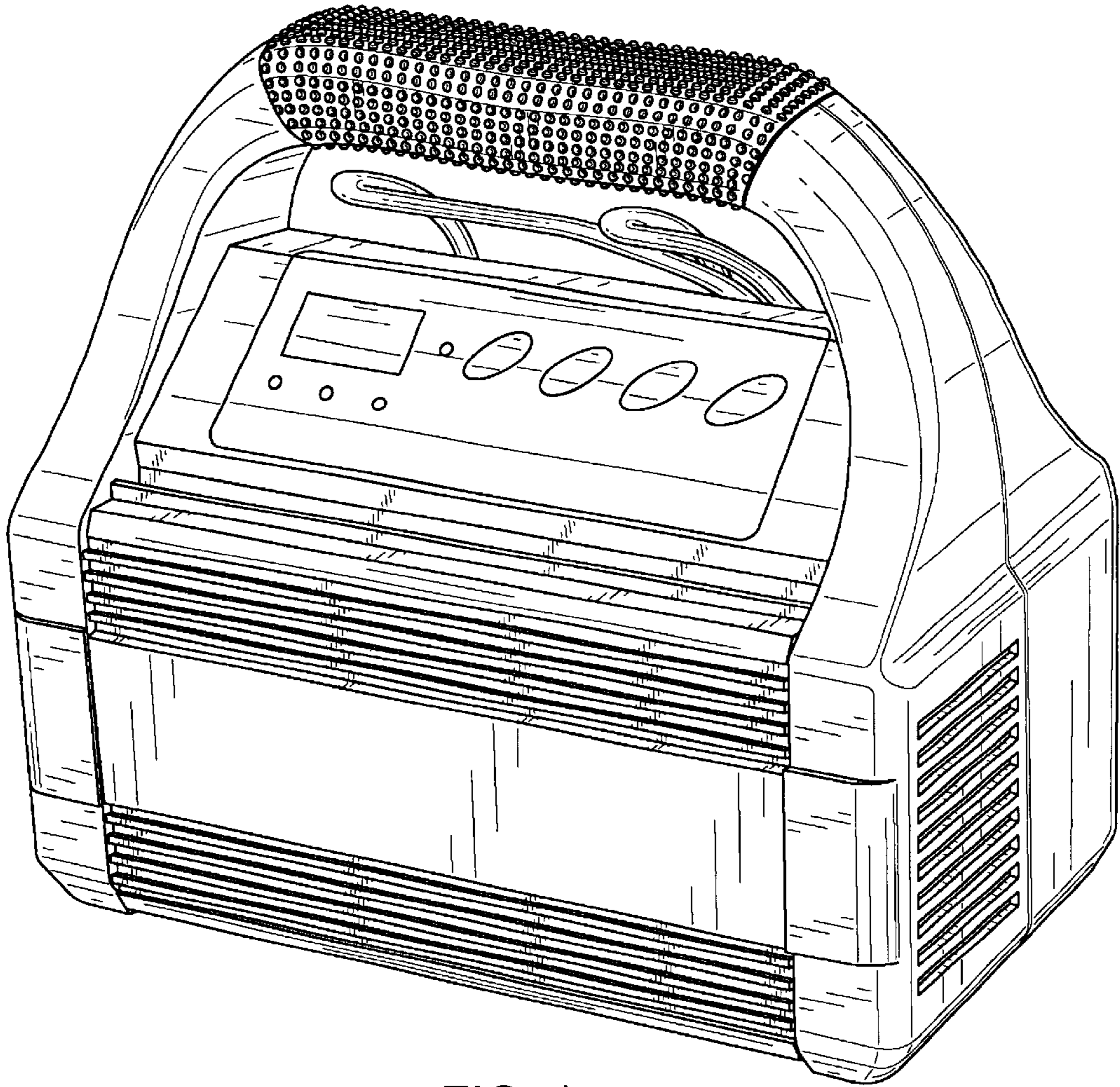


FIG. 1

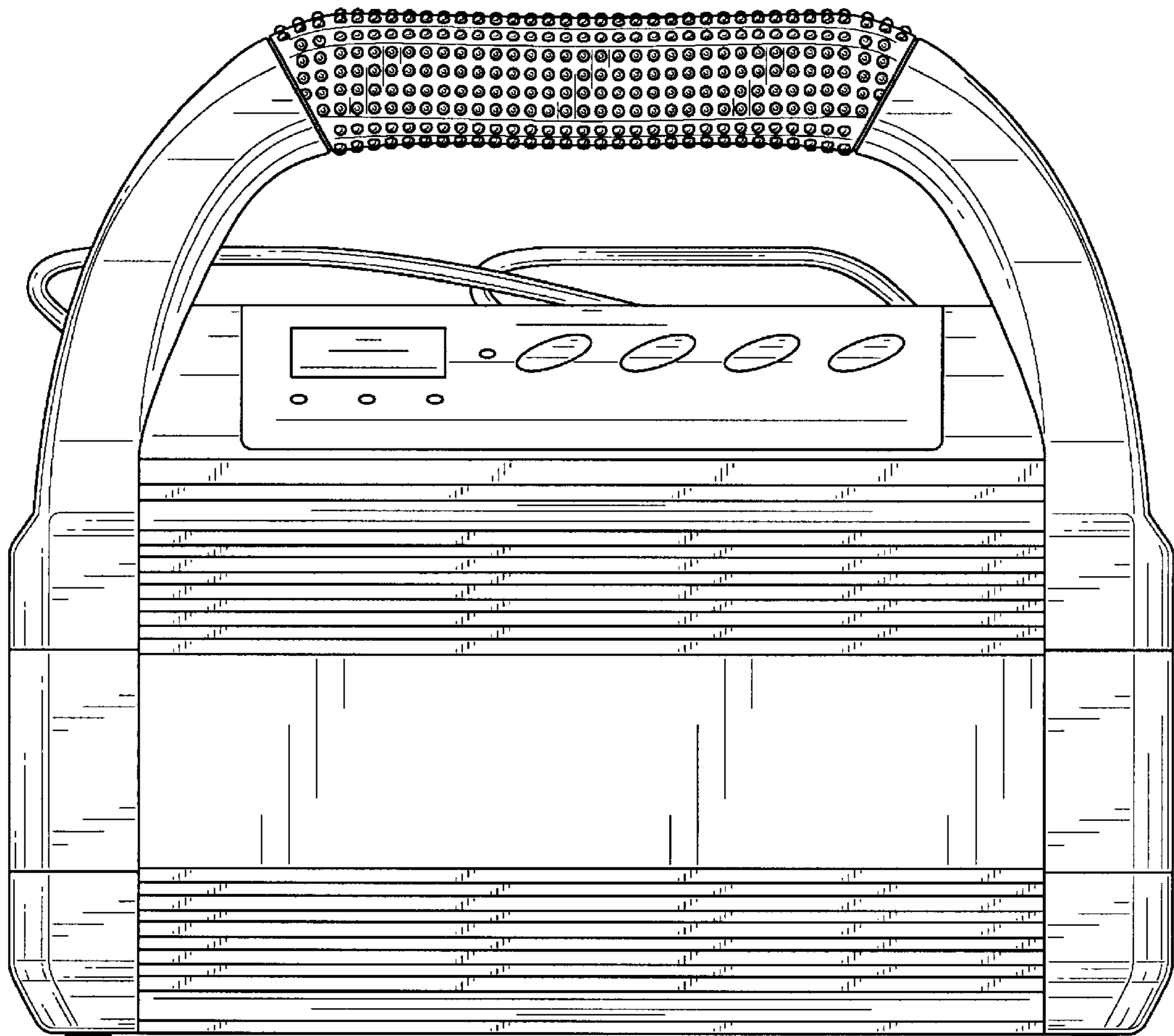


FIG. 2

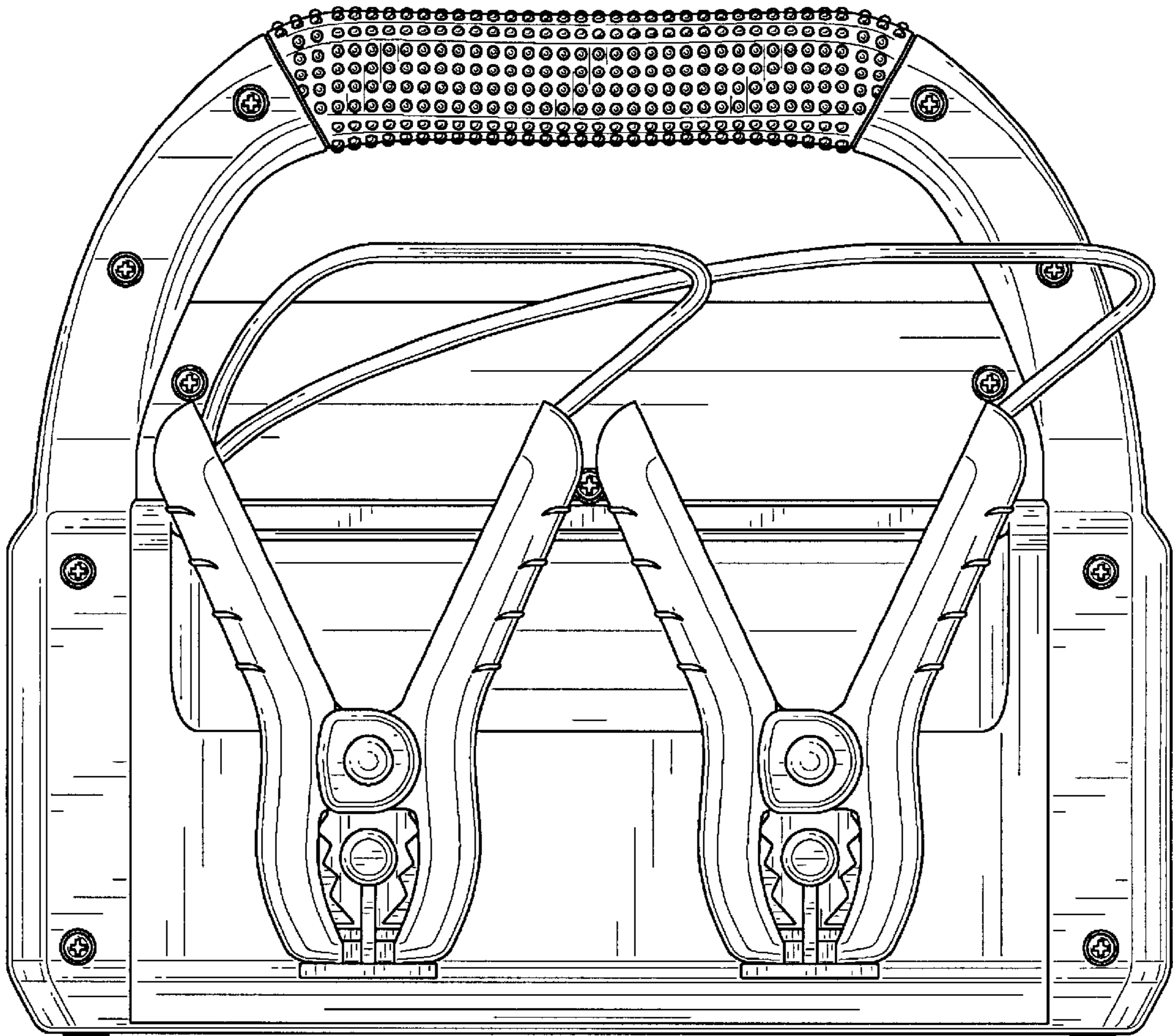


FIG. 3

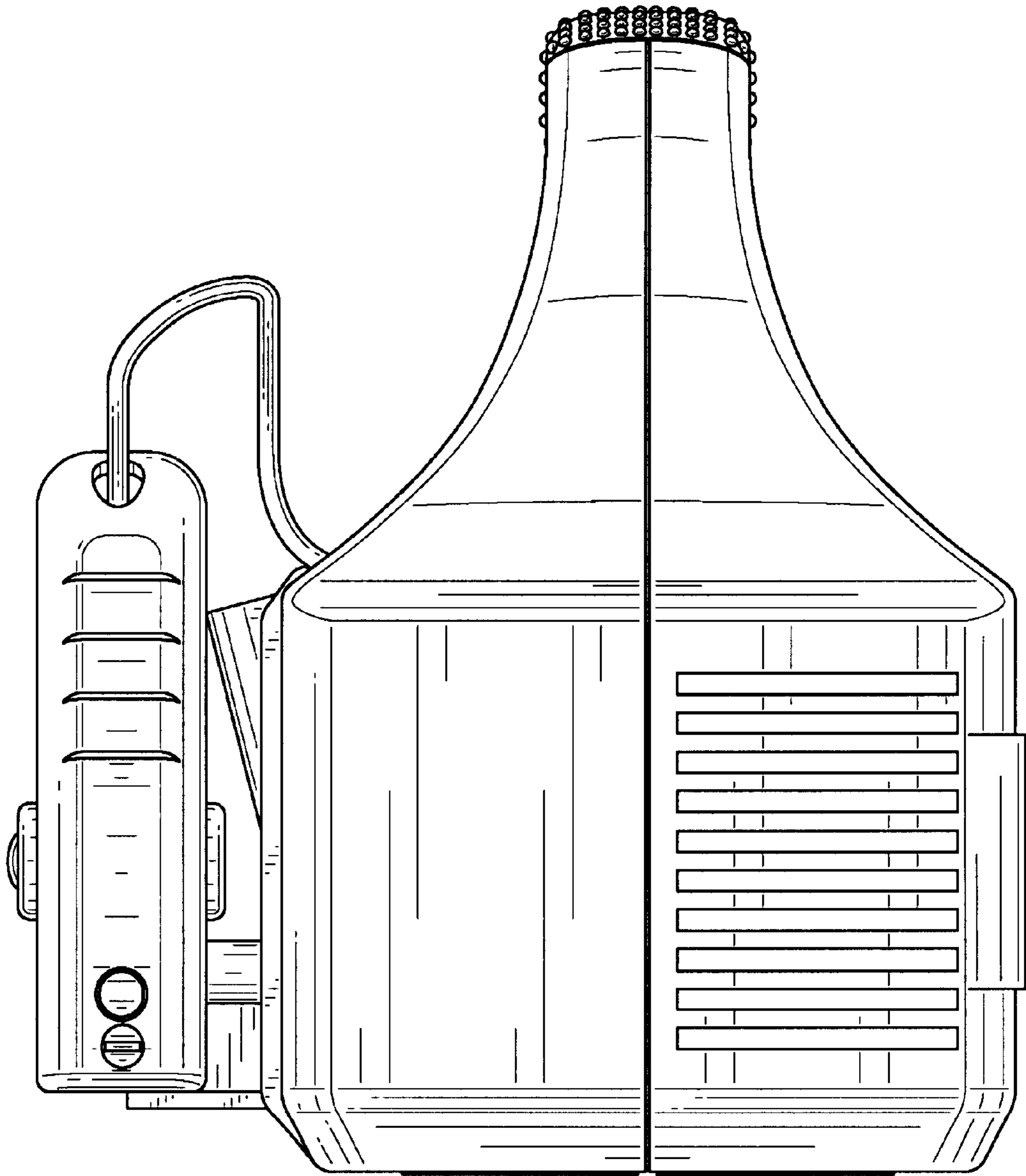


FIG. 4

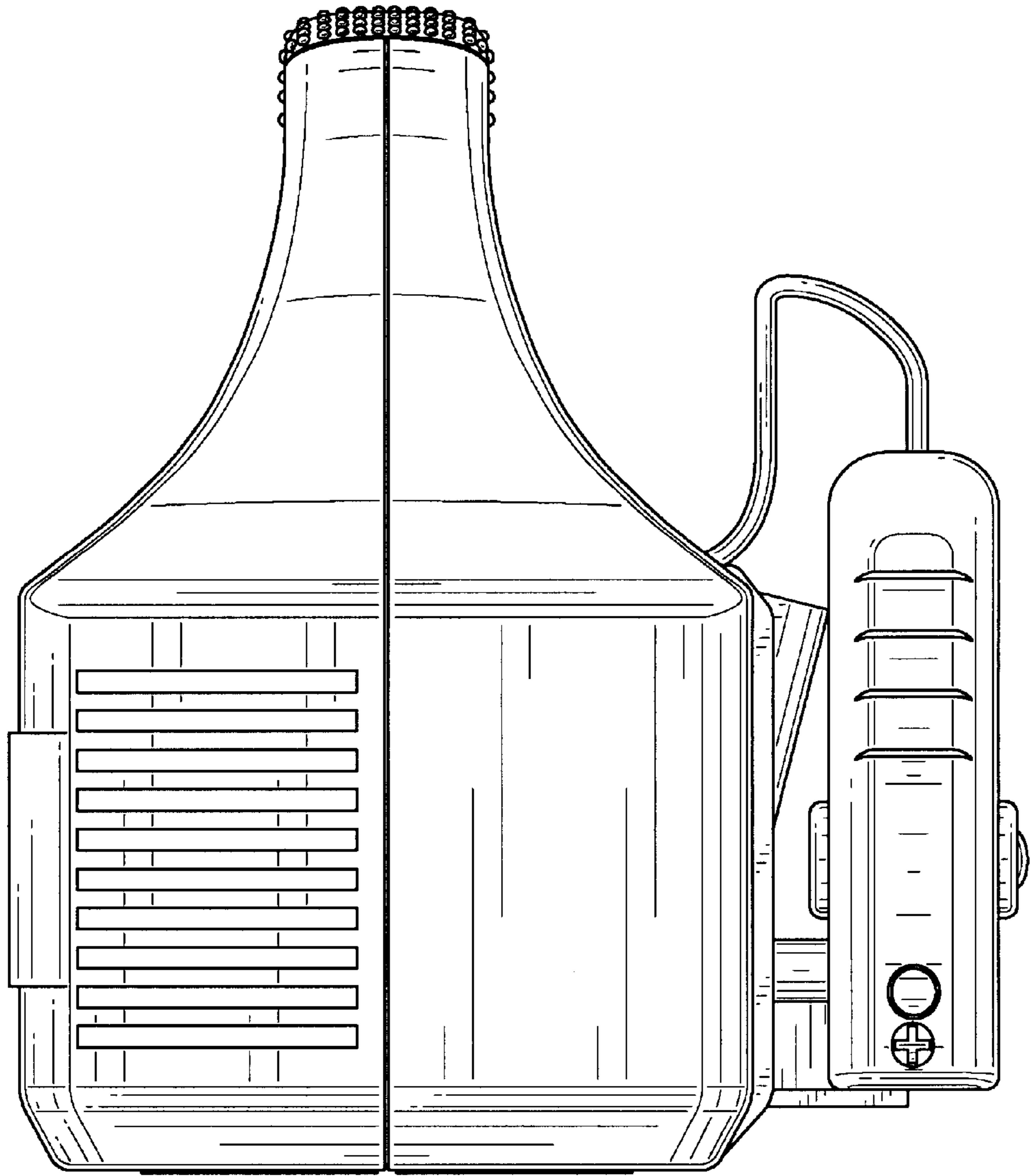


FIG. 5

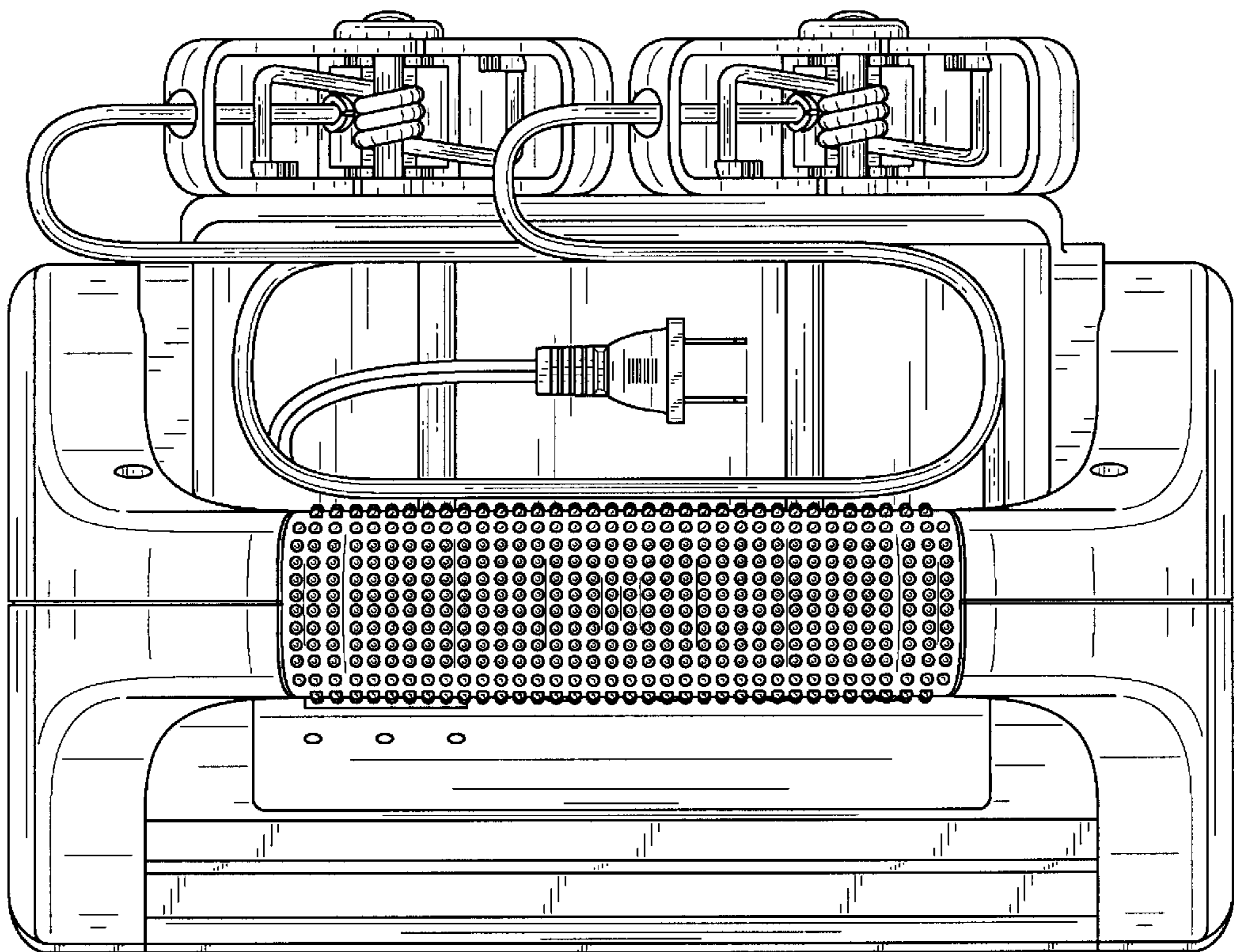


FIG. 6

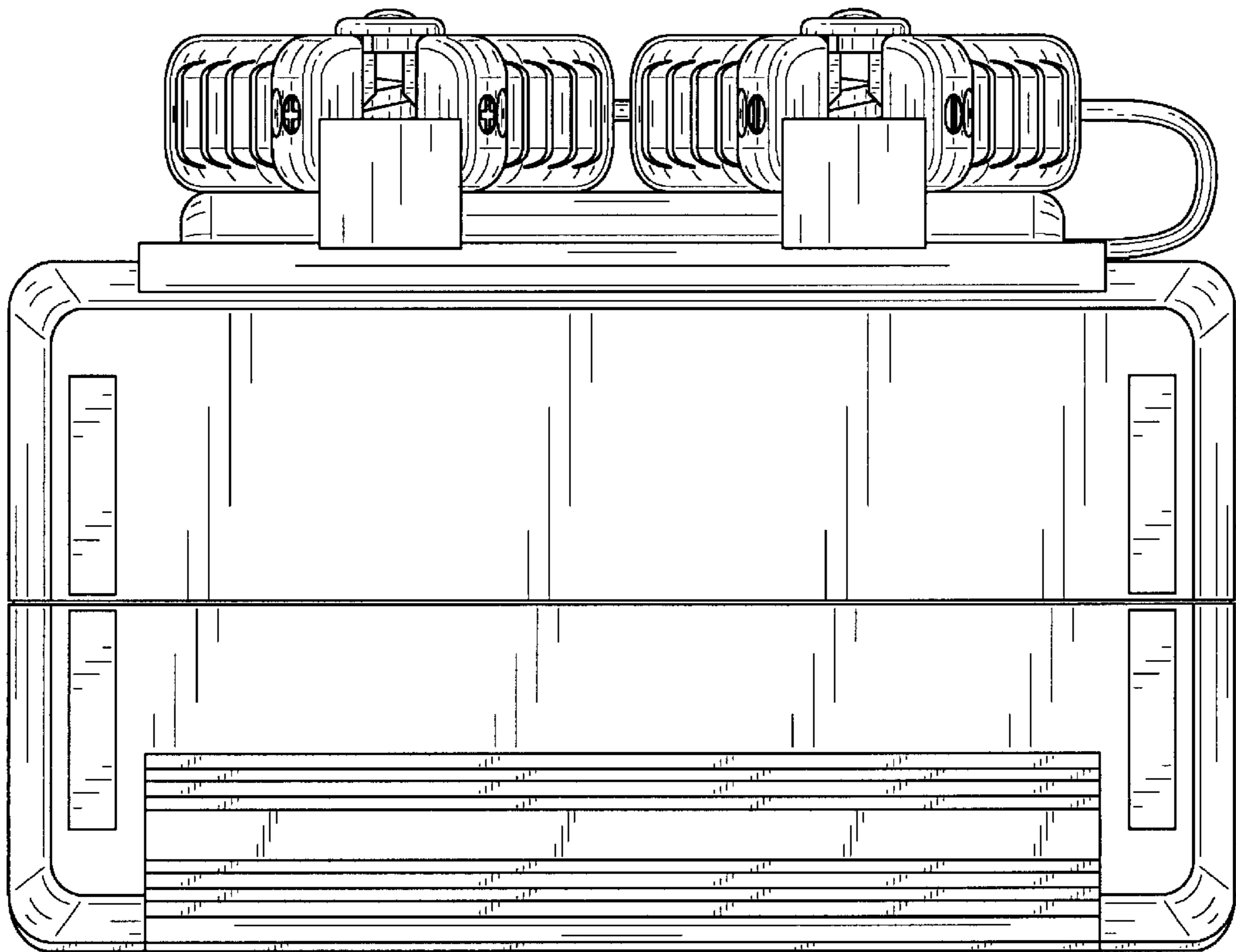


FIG. 7