



US00D483325S

(12) **United States Design Patent**  
**Fujihara et al.**

(10) **Patent No.:** **US D483,325 S**

(45) **Date of Patent:** **\*\* Dec. 9, 2003**

(54) **BATTERY**

(75) Inventors: **Yoshihisa Fujihara**, Osaka (JP); **Naoto Sugimune**, Osaka (JP); **Yoshiki Somatomo**, Osaka (JP)

(73) Assignee: **Hitachi Maxell, Ltd.**, Osaka (JP)

(\*\*) Term: **14 Years**

(21) Appl. No.: **29/169,731**

(22) Filed: **Oct. 25, 2002**

**Related U.S. Application Data**

(62) Division of application No. 29/167,659, filed on Sep. 19, 2002.

(30) **Foreign Application Priority Data**

Mar. 20, 2002 (JP) ..... 2002-007450

(51) **LOC (7) Cl.** ..... **13-02**

(52) **U.S. Cl.** ..... **D13/103**

(58) **Field of Search** ..... D13/103, 119, D13/120; 429/96-100, 159, 163, 176, 162

(56) **References Cited**

**U.S. PATENT DOCUMENTS**

4,060,669 A \* 11/1977 Fanciullo ..... 429/152  
D302,005 S \* 7/1989 Kizawa et al. .... D13/103  
4,997,732 A \* 3/1991 Austin et al. .... 429/153  
6,218,041 B1 \* 4/2001 Barbier et al. .... 429/96

6,482,544 B1 \* 11/2002 Shiota et al. .... 429/176 X  
6,531,246 B2 \* 3/2003 Hanafusa et al. .... 429/162  
2001/0021471 A1 \* 9/2001 Xing et al. .... 429/162  
2002/0031703 A1 \* 3/2002 Kameyama et al. .... 429/162  
2003/0017388 A1 \* 1/2003 Furusaki ..... 429/162

\* cited by examiner

*Primary Examiner*—Joel Sincavage

(74) *Attorney, Agent, or Firm*—Birch, Stewart, Kolasch & Birch, LLP

(57) **CLAIM**

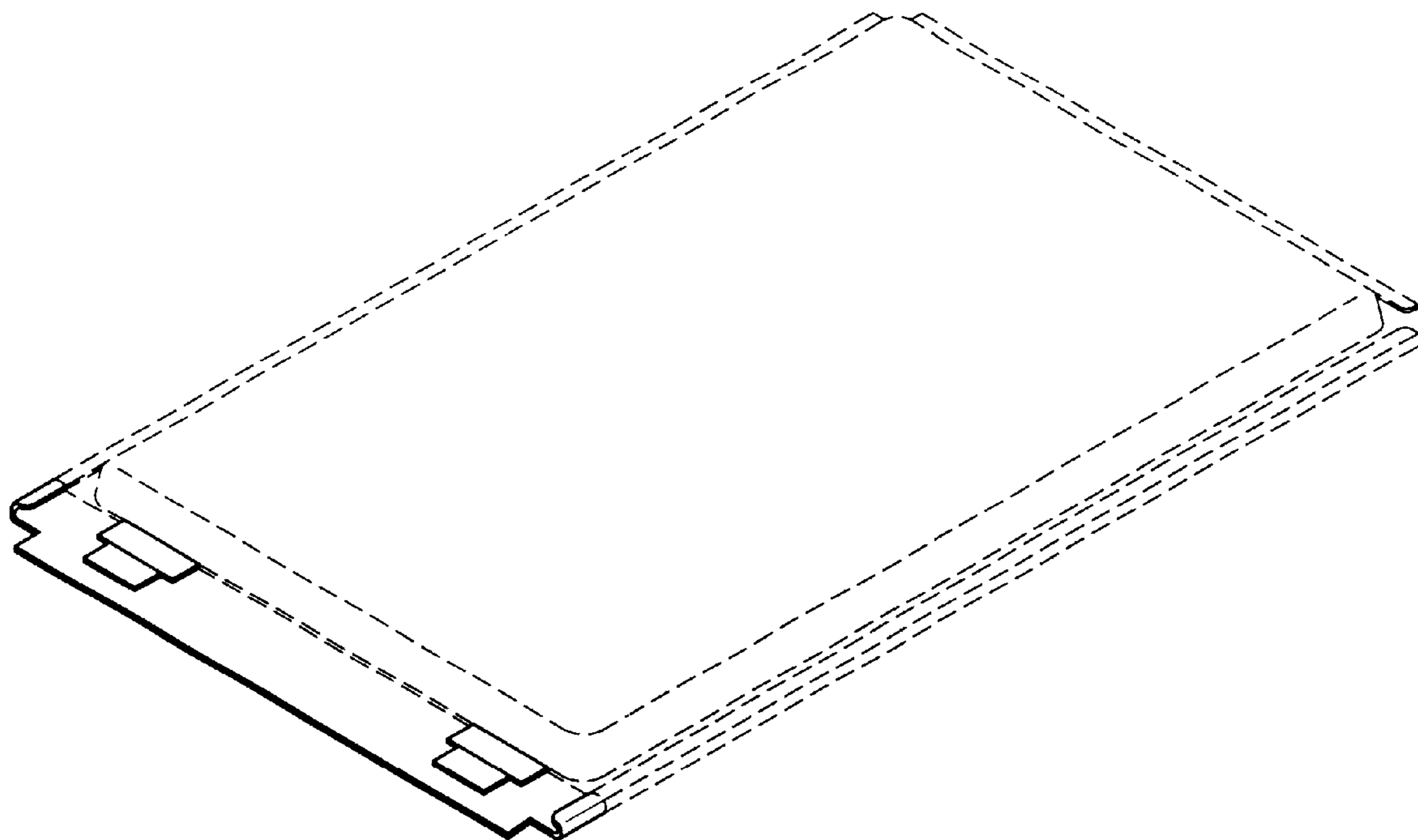
The ornamental design for a battery, as shown and described.

**DESCRIPTION**

FIG. 1 is a perspective view of the battery of the present invention;  
FIG. 2 is a front view of the battery of the present invention;  
FIG. 3 is a rear view of the battery of the present invention;  
FIG. 4 is a left side view of the battery of the present invention;  
FIG. 5 is a right side view of the battery of the present invention;  
FIG. 6 is a top plan view of the battery of the present invention; and,  
FIG. 7 is a bottom view of the battery of the present invention.

The broken lines throughout the drawing figures are included for the purpose of illustrating portions of the battery that form no part of the claimed design.

**1 Claim, 4 Drawing Sheets**



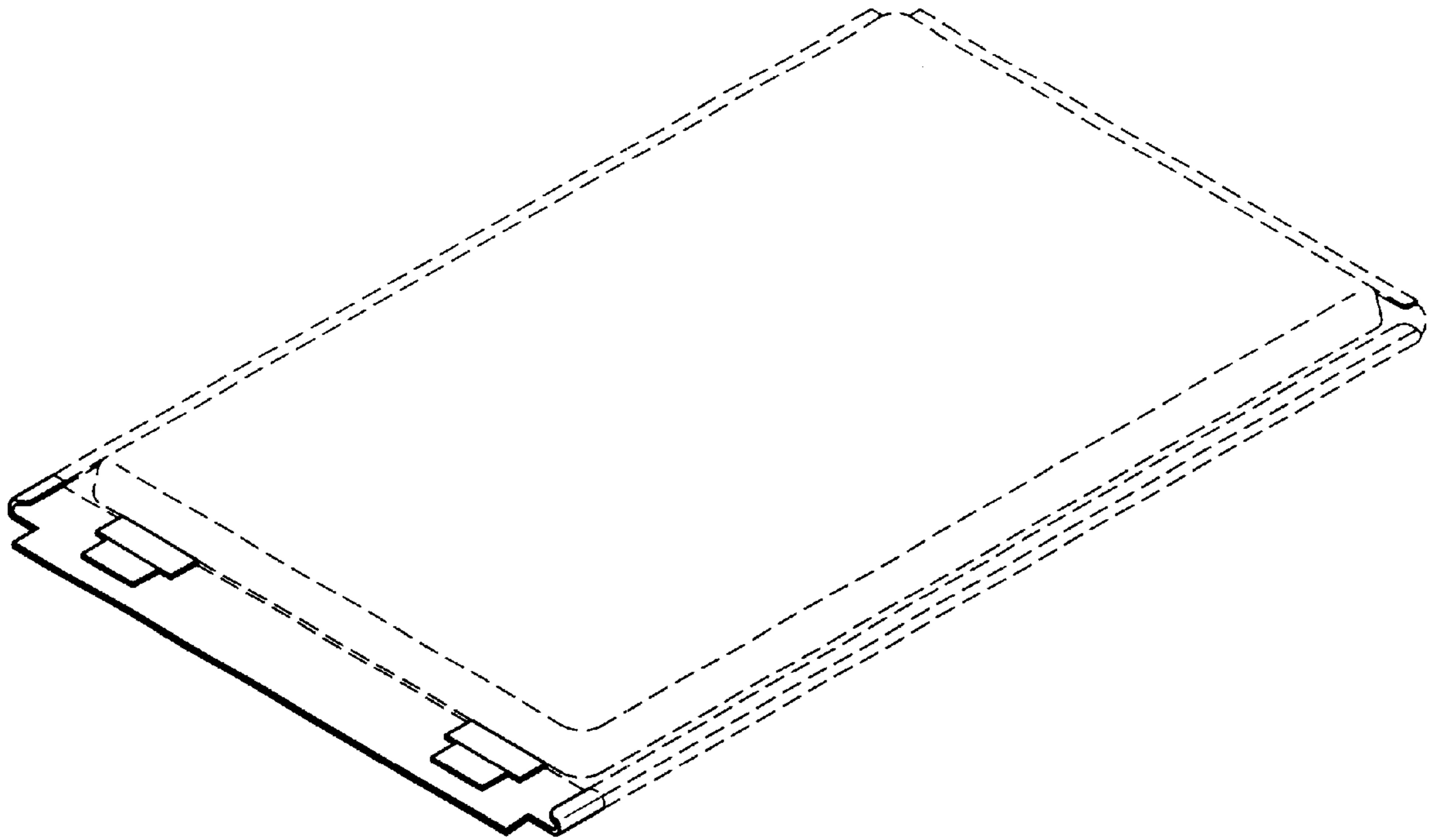


FIG. 1

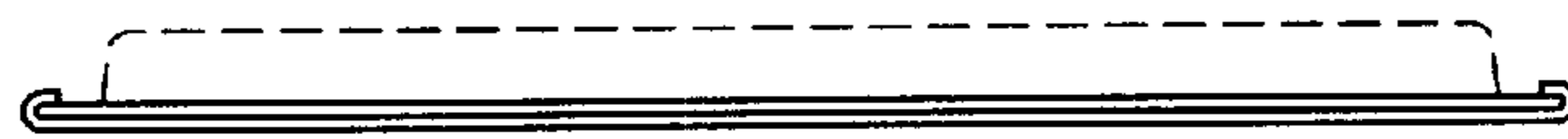


FIG. 2

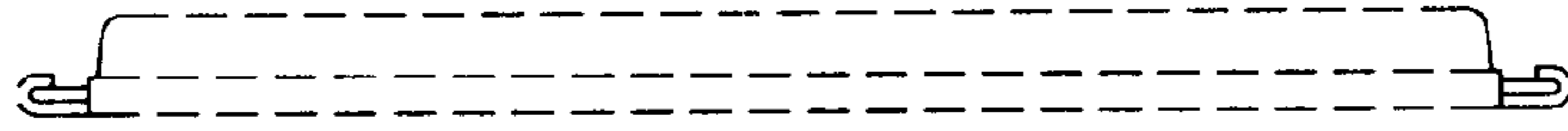


FIG.3

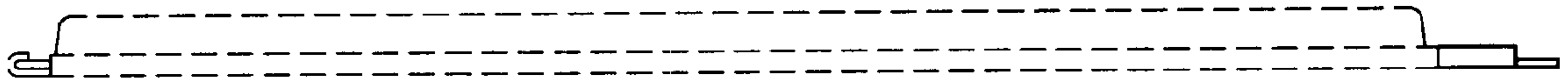


FIG.4

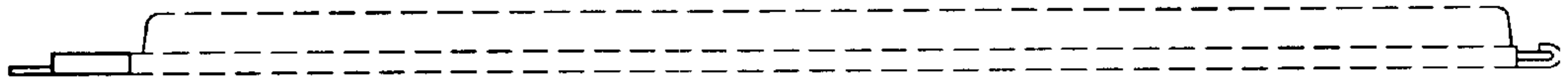


FIG. 5

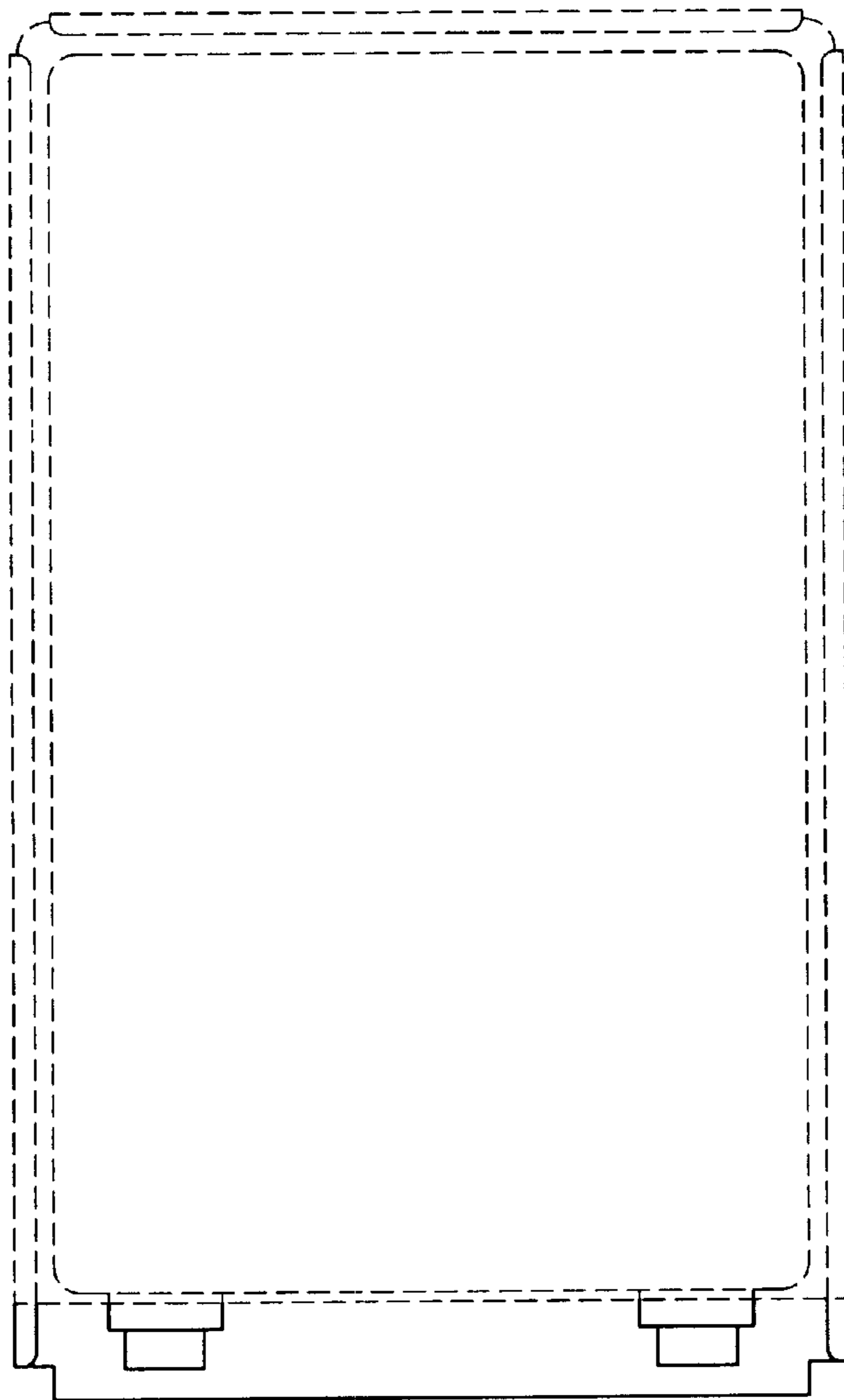


FIG. 6

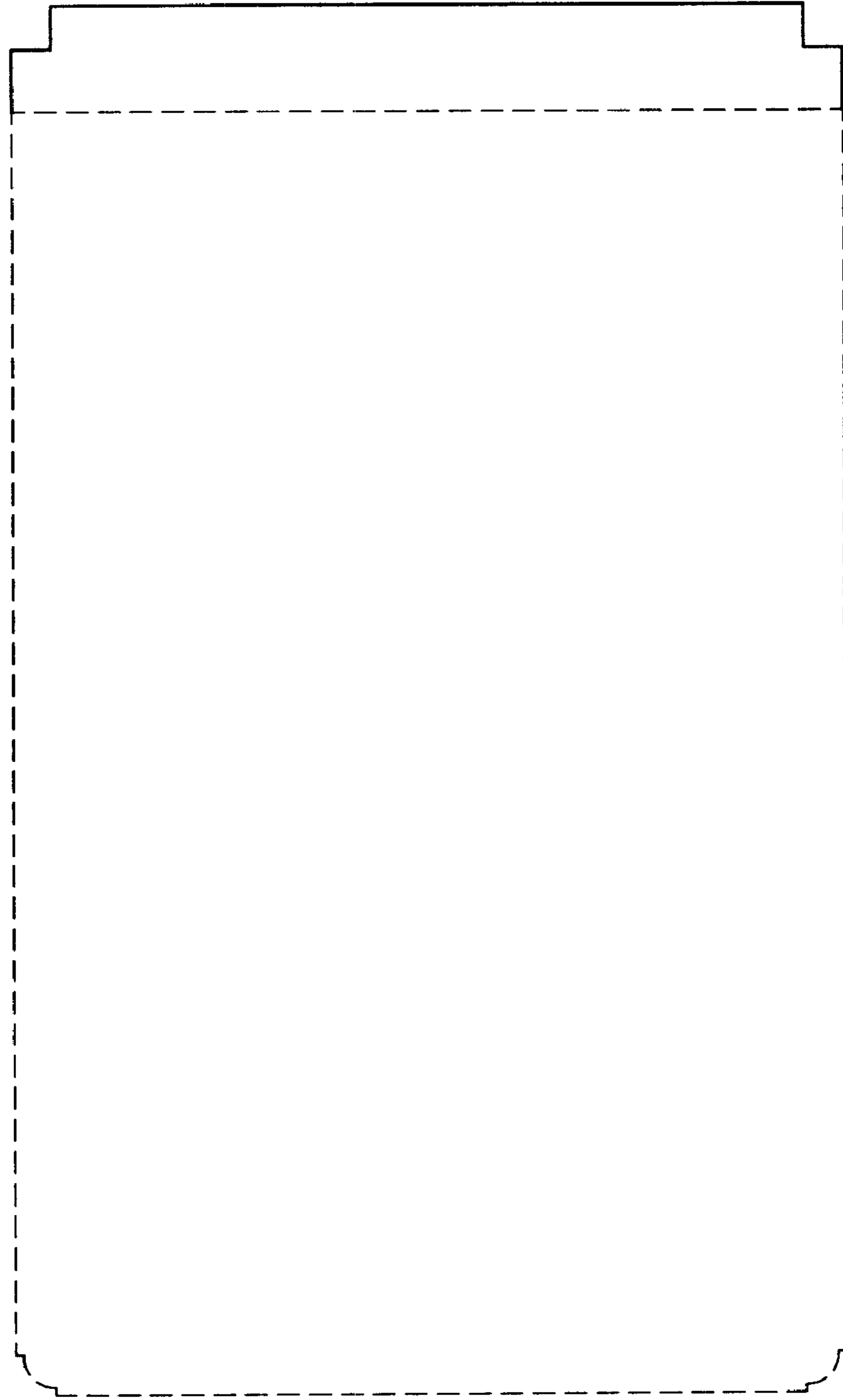


FIG. 7