



US00D483317S

(12) **United States Design Patent**
Dowdey

(10) **Patent No.:** **US D483,317 S**

(45) **Date of Patent:** **** Dec. 9, 2003**

(54) **ROOF FOR AN AUTOMOTIVE VEHICLE**

(75) Inventor: **Christopher C. Dowdey**, Grosse Ile, MI (US)

(73) Assignee: **ASC Incorporated**, Southgate, MI (US)

(**) Term: **14 Years**

(21) Appl. No.: **29/154,991**

(22) Filed: **Feb. 1, 2002**

(51) **LOC (7) Cl.** **12-16**

(52) **U.S. Cl.** **D12/404**

(58) **Field of Search** D12/401, 404,
D12/89-91; 296/185-186, 99.1, 103, 156,
163, 210, 220-223, 224, 211, 219, 216-218,
220.01, 91

(56) **References Cited**

U.S. PATENT DOCUMENTS

2,013,314	A	9/1935	Metz	
2,122,712	A *	7/1938	Bishop	296/211
2,596,355	A	5/1952	Ackermans	
2,714,035	A	7/1955	Limberg et al.	
2,747,921	A	5/1956	Hooverson et al.	
2,762,648	A	9/1956	Huzzard	

(List continued on next page.)

FOREIGN PATENT DOCUMENTS

DE	441648	3/1927
EP	0 101 322 A2	2/1984
GB	1 377 679	12/1974
GB	2 002 697 A	2/1979
JP	56-112318	9/1981
JP	4-71926	3/1992
JP	4-212624	8/1992

OTHER PUBLICATIONS

Davis, "Mother of All Avants," Autoweek, Dec. 3, 2001, pp. 15-18.

The 2002 allroad quattro, Audi (vehicle offered for sale prior to Feb. 1, 2002) 4 pages.

S4 Avant Gallery, Audi (vehicle offered for sale prior to Feb. 1, 2002).

S6 Avant Gallery, Audi (vehicle offered for sale prior to Feb. 1, 2002).

Picture of Ferrari Dino 246 GTS (vehicle offered for sale prior to Feb. 1, 2002).

Picture of Lotus Elipse (vehicle offered for sale prior to Feb. 1, 2002).

Ward's Auto World, "Ward's Wrapup," Mar. 1999, pp. 9 and 10.

Buick Cielo Show Car, 4 photographs (vehicle publicly used or photos published in U.S. prior to Feb. 1, 2002).

Land Rover—2002 Discovery Series II (vehicle offered for sale prior to Feb. 1, 2002).

Primary Examiner—Stacia Cadmus

(74) *Attorney, Agent, or Firm*—Harness, Dickey & Pierce, P.L.C.

(57) **CLAIM**

The ornamental design for a roof for an automotive vehicle, as shown and described.

DESCRIPTION

FIG. 1 is a perspective view of a roof for an automotive vehicle, showing the new design in a closed configuration; the opposite view of the roof is a symmetrically mirrored image of FIG. 1;

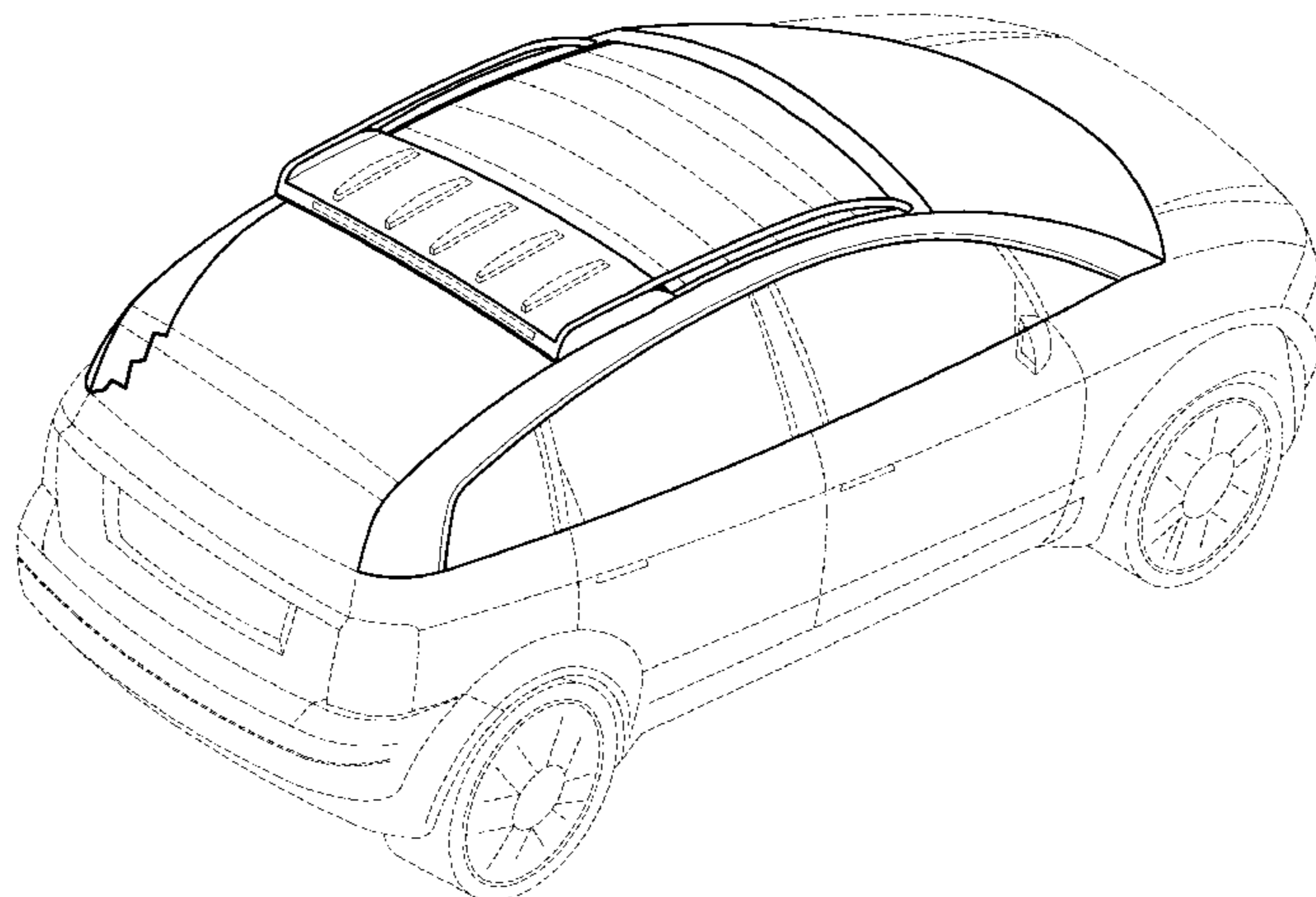
FIG. 2 is a top elevational view of the roof showing the new design in a closed configuration;

FIG. 3 is a rear elevational view of the roof showing the new design in a closed configuration;

FIG. 4 is a side elevational view of the roof showing the new design in a closed configuration; and,

FIG. 5 is a perspective view of the roof showing the new design in an open configuration. The broken line illustration of a portion of the automotive vehicle is for illustrative purposes only and forms no part of the claimed design.

1 Claim, 4 Drawing Sheets



US D483,317 S

Page 2

U.S. PATENT DOCUMENTS

2,785,922 A	3/1957	Chika		D325,366 S	4/1992	Mansberger	
2,836,457 A	5/1958	Berman et al.		5,145,231 A	9/1992	Gotomyo	
2,957,725 A	10/1960	Ford, II et al.		5,261,722 A	11/1993	Staley et al.	
3,075,807 A	1/1963	Werner		5,303,970 A	4/1994	Young et al.	
D198,127 S	5/1964	O'Donnell		D382,246 S	8/1997	DeGaillard	
3,333,362 A	8/1967	Kostin et al.		5,746,475 A	5/1998	Caye et al.	
3,357,738 A	12/1967	Bourlier		5,836,642 A	11/1998	Salz	
3,550,948 A	12/1970	Thompson, Jr.		5,897,160 A	4/1999	Reihl et al.	
D235,536 S	6/1975	Boston, Jr. et al.		D410,428 S	* 6/1999	Bauers	D12/404
4,121,870 A	10/1978	Oakey		D413,096 S	8/1999	Russke et al.	
D251,191 S	2/1979	Dix		5,944,378 A	8/1999	Mather et al.	
4,143,908 A	3/1979	Dix		5,961,177 A	10/1999	Caye et al.	
4,157,845 A	6/1979	Queveau		5,988,736 A	11/1999	Kralik et al.	
4,185,868 A	1/1980	Kaltz et al.		6,056,352 A	* 5/2000	Ewing et al.	296/214
D254,247 S	2/1980	Le Van et al.		6,073,995 A	6/2000	Klein	
4,543,747 A	10/1985	Kaltz et al.		D431,018 S	9/2000	Maypole	
D289,276 S	4/1987	Collins		D432,074 S	* 10/2000	Harris	D12/404
D298,927 S	* 12/1988	Johnson et al.	D12/404	6,129,413 A	10/2000	Klein	
D298,928 S	* 12/1988	Johnson et al.	D12/404	D438,840 S	3/2001	Dowdey	
D298,929 S	* 12/1988	Johnson et al.	D12/404	D445,397 S	* 7/2001	Gaytan	D12/404
4,852,938 A	8/1989	Hirshberg et al.		6,267,433 B1	7/2001	Bayer et al.	
4,893,868 A	1/1990	Miller et al.		6,270,154 B1	8/2001	Farber	
4,923,244 A	5/1990	Clenet		6,423,894 B1	* 7/2002	Patz et al.	296/211 X
4,940,283 A	7/1990	Androy		6,460,921 B2	* 10/2002	DeGaillard	296/218
5,018,783 A	5/1991	Chamings et al.		D468,682 S	* 1/2003	Soldatelli	D12/404
5,029,937 A	7/1991	Yamamoto		D472,870 S	* 4/2003	Friedrich	D12/404
5,090,767 A	2/1992	Schreiter et al.					

* cited by examiner

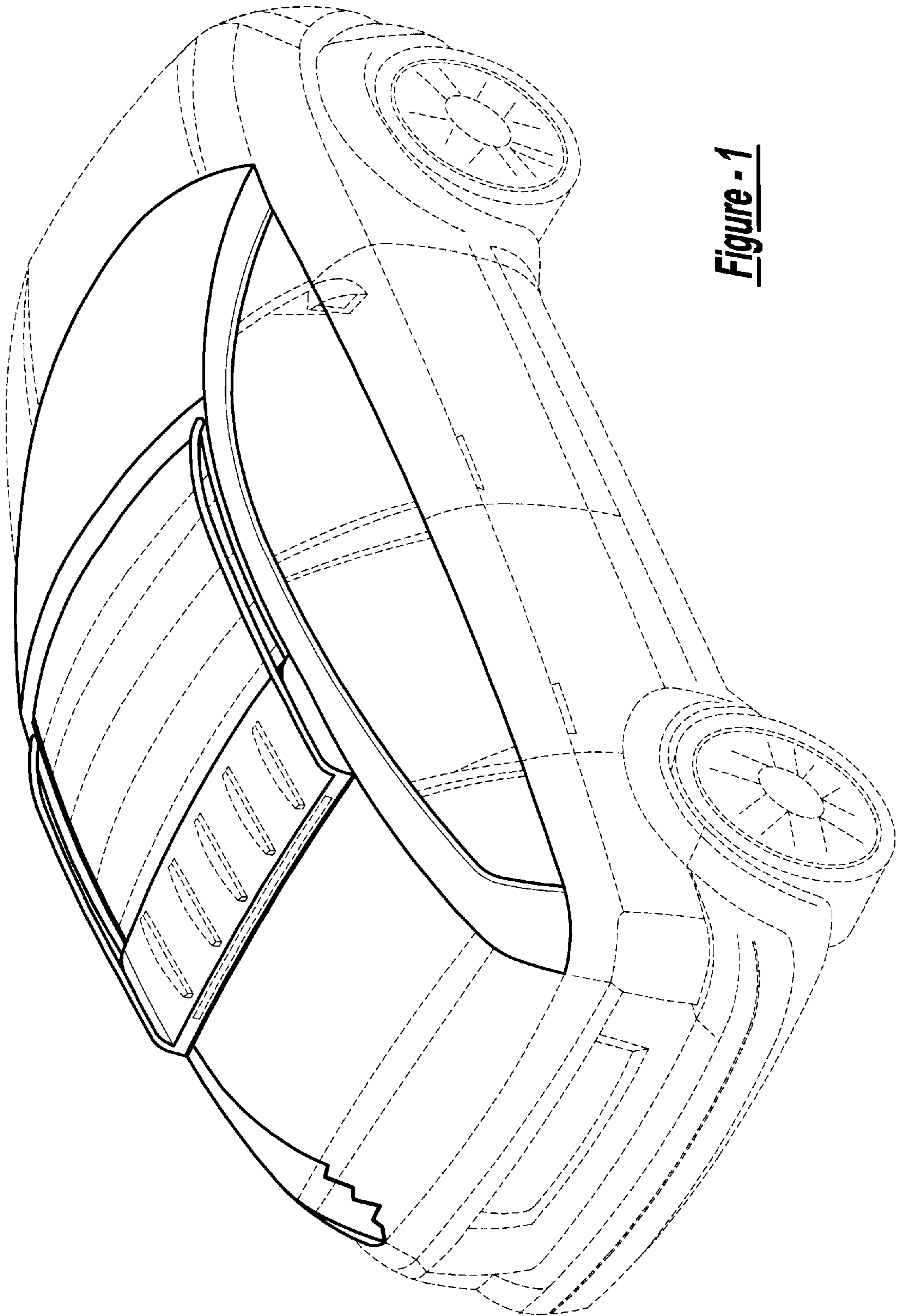


Figure - 1

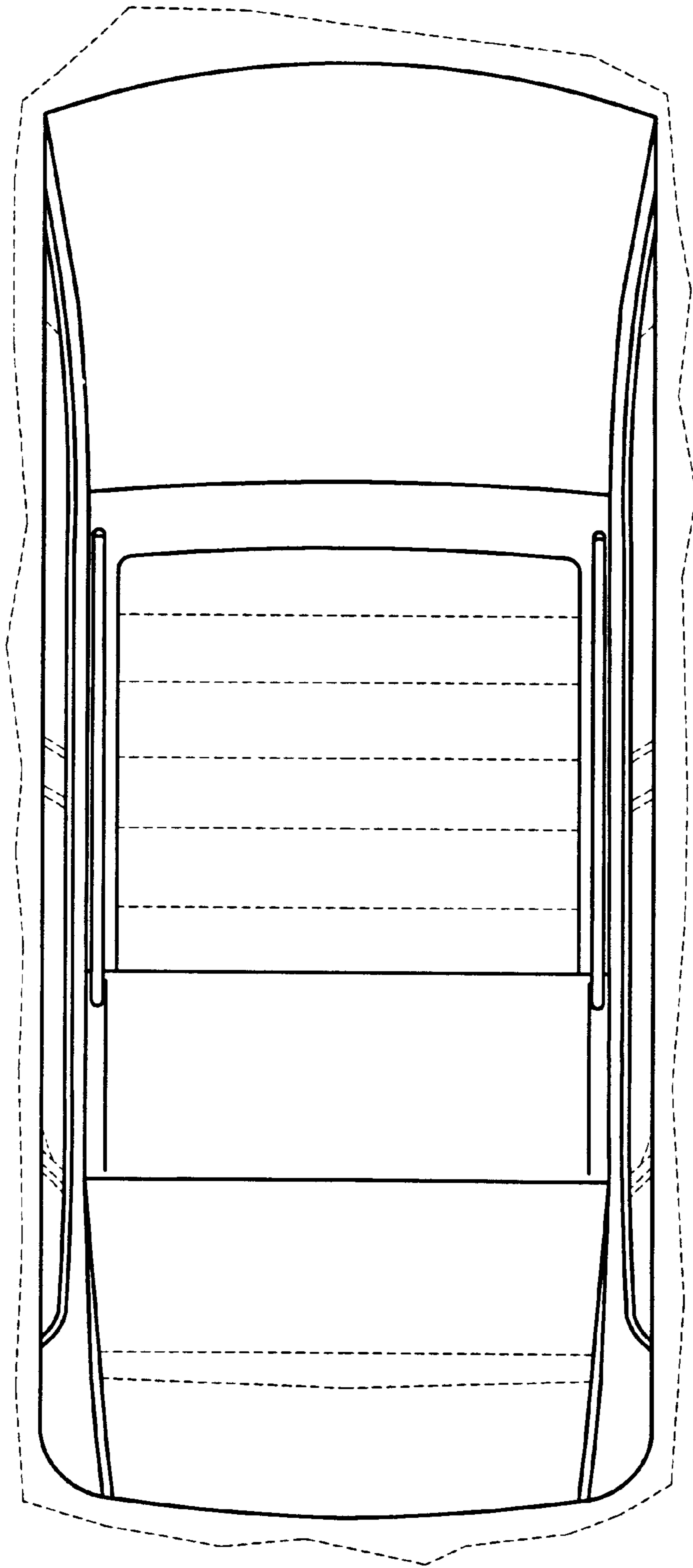


Figure - 2

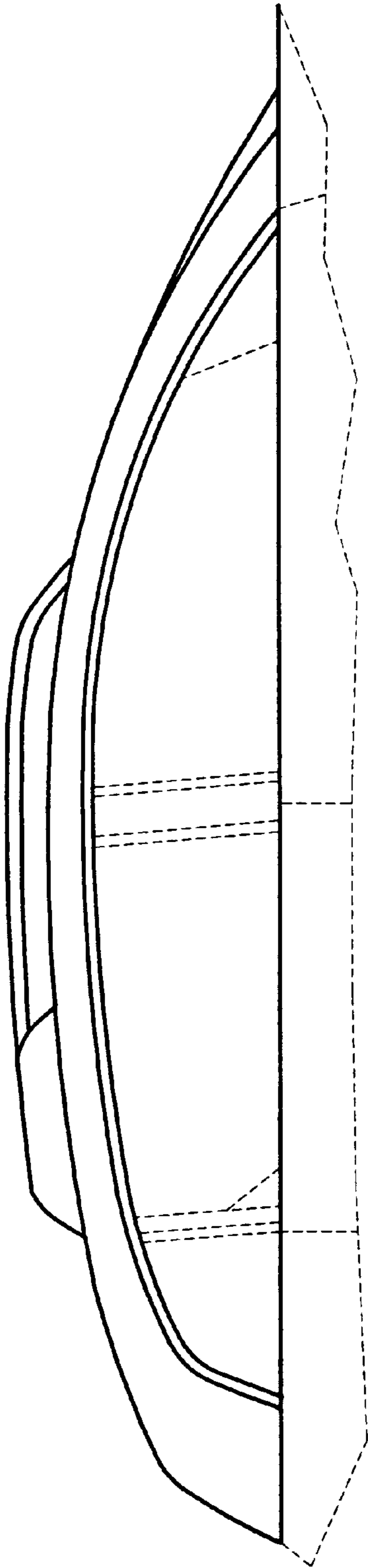


Figure - 4

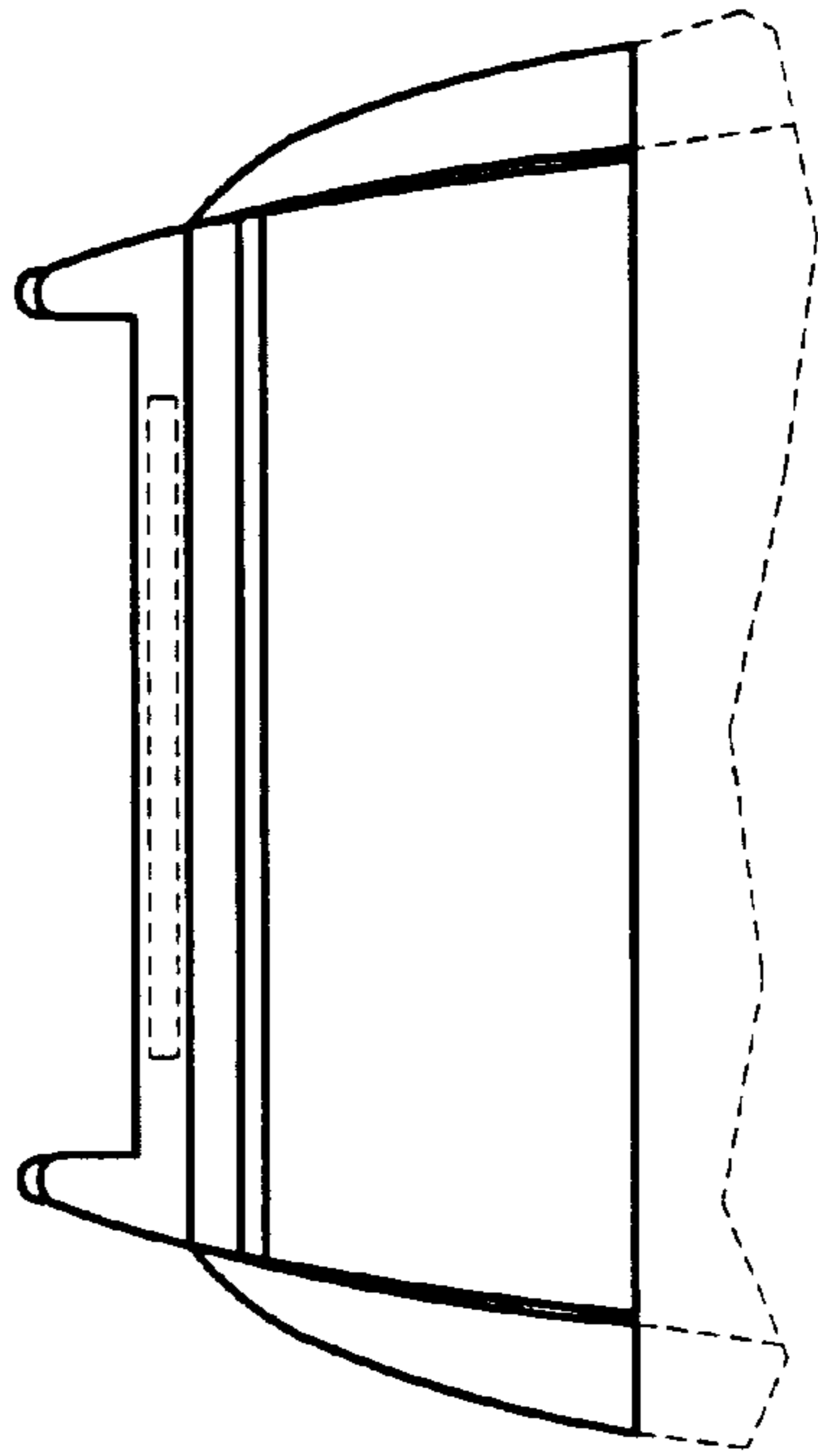


Figure - 3

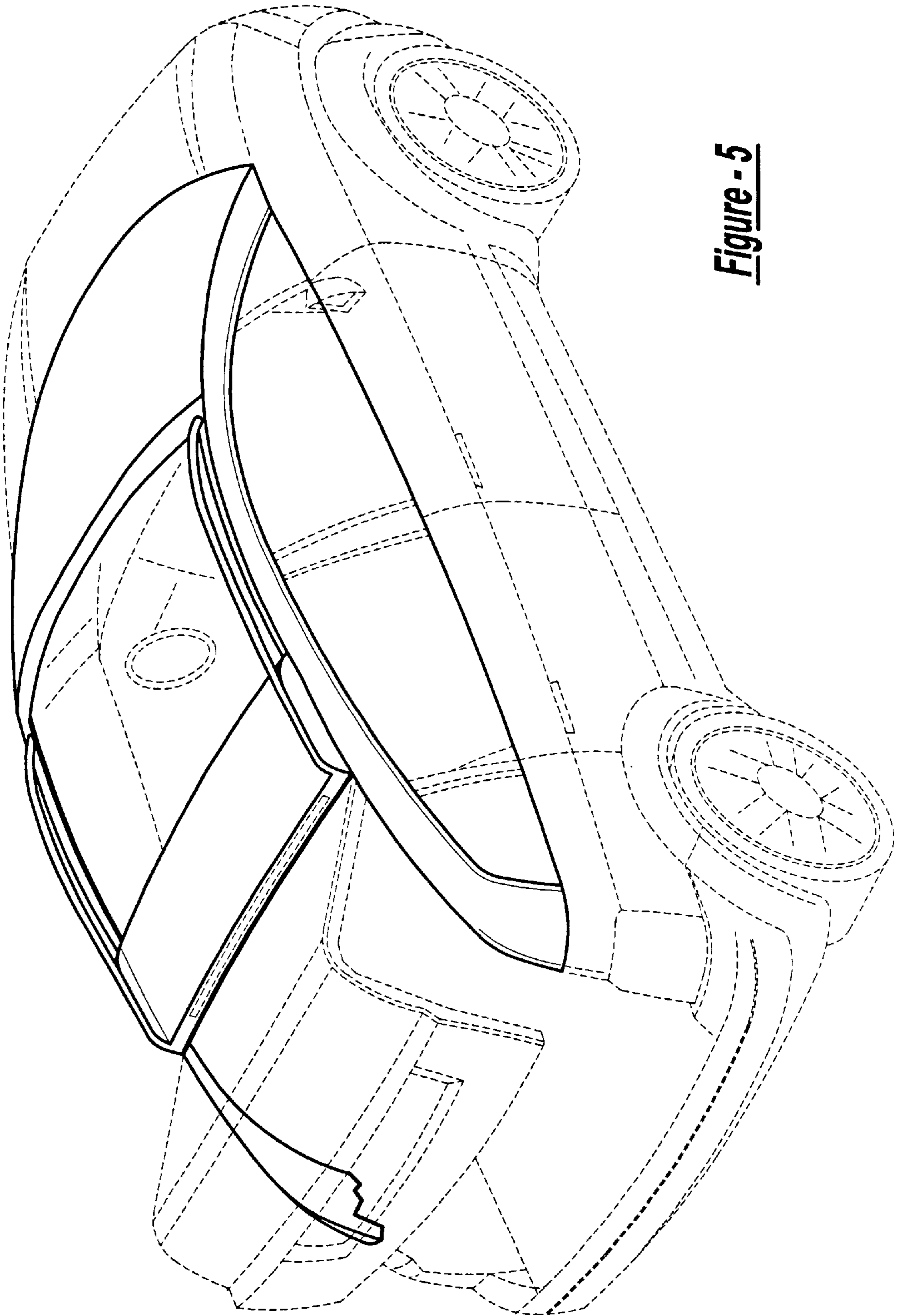


Figure - 5