



US00D483315S

(12) **United States Design Patent** (10) **Patent No.:** **US D483,315 S**  
**Aselton et al.** (45) **Date of Patent:** **\*\* Dec. 9, 2003**

(54) **DECK OF A PERSONAL WATERCRAFT**

OTHER PUBLICATIONS

(75) Inventors: **Ron Aselton**, Sterling Heights, MI (US); **Shannon Cassell**, Palm Bay, FL (US); **Greg Martin**, Melbourne Beach, FL (US); **David Kalhok**, Marion, IL (US)

Bombardier Sea-Doo 1999 Product Brochure, Everybody's doin' it., Copyright 1998.  
Yamaha 2000, WaveRunner Watercraft Brochure, Copyright 1999.  
Bombardier Sea-Doo 5640 GTX 1996 Model Parts Catalogue, pp. A2, C11.  
Sea-Doo, Parts Catalog 2000. LRV 5688-05/1999-219 300 910.

(73) Assignee: **Bombardier Inc.**, Valcourt (CA)

(\*\*) Term: **14 Years**

\* cited by examiner

(21) Appl. No.: **29/152,543**

*Primary Examiner*—Lisa Lichtenstein

(22) Filed: **Dec. 21, 2001**

(74) *Attorney, Agent, or Firm*—Pillsbury Winthrop LLP

**Related U.S. Application Data**

(57) **CLAIM**

(62) Division of application No. 29/123,862, filed on May 26, 2000, now Pat. No. Des. 453,955.

The ornamental design of a deck of a personal watercraft, as shown and described.

(51) **LOC (7) Cl.** ..... **12-06**

**DESCRIPTION**

(52) **U.S. Cl.** ..... **D12/307; D12/318**

FIG. 1 is a perspective illustration, from the front and right side, of a deck of a personal watercraft of our design; FIG. 2 is a right side view thereof; FIG. 3 is a left side view thereof; FIG. 4 is a front view thereof; FIG. 5 is a rear view thereof; FIG. 6 is a top view thereof; and, FIG. 7 is a bottom view thereof.

(58) **Field of Search** ..... D12/300-318;  
114/55.5, 55.54, 55.57

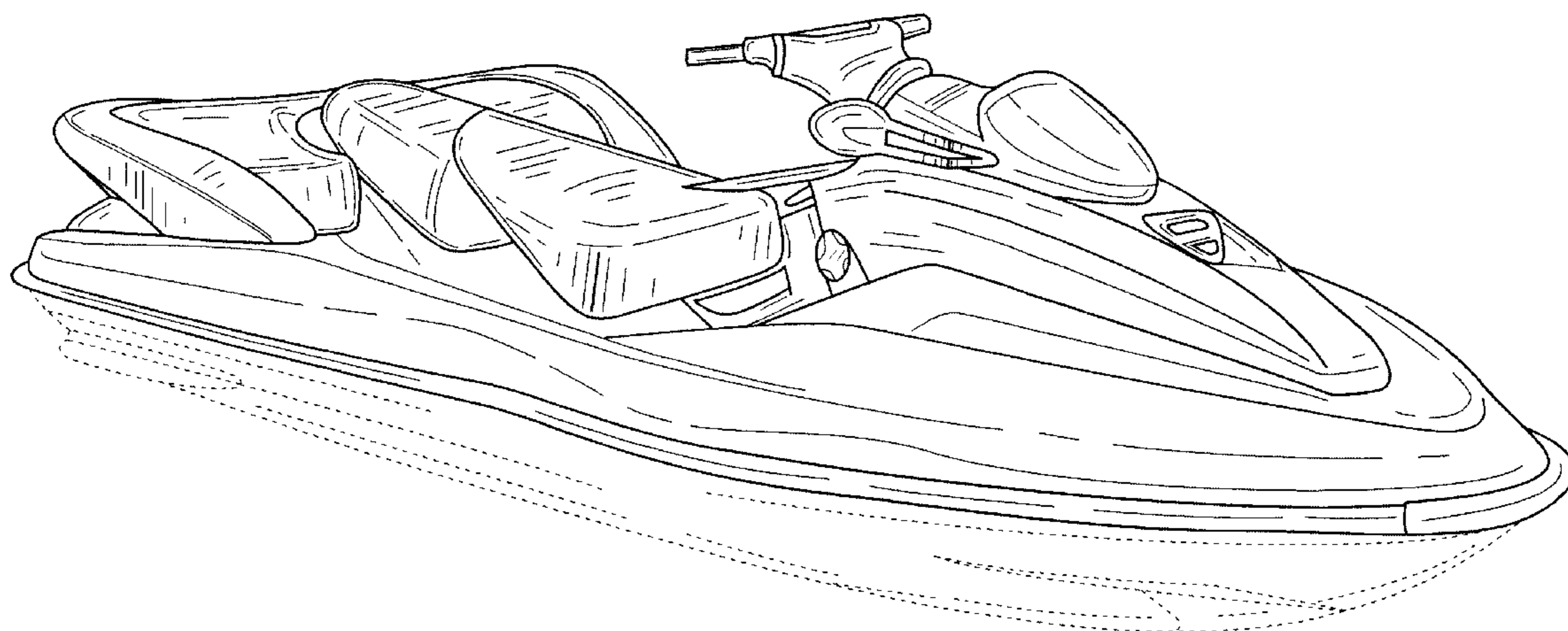
In FIGS. 1-5 broken lines showing environment or structure are for illustrative purposes only and form no part of the claimed design.

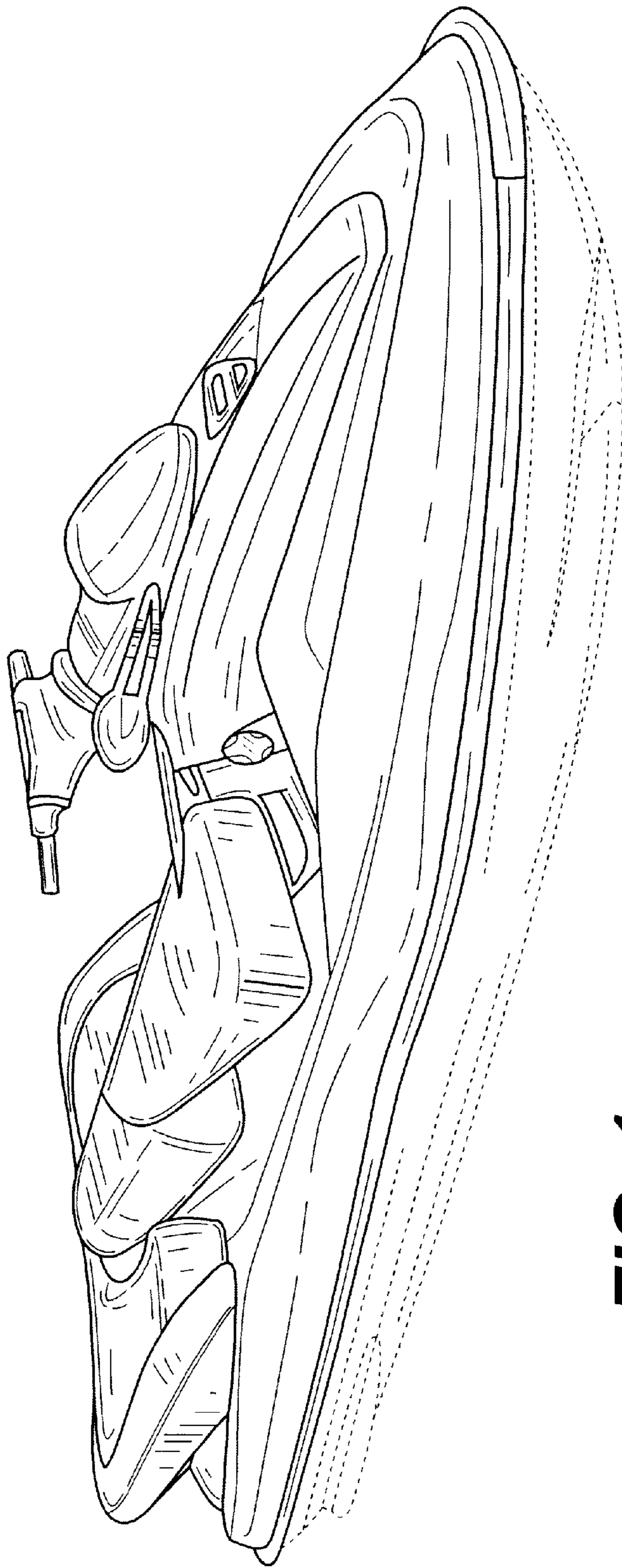
(56) **References Cited**

**U.S. PATENT DOCUMENTS**

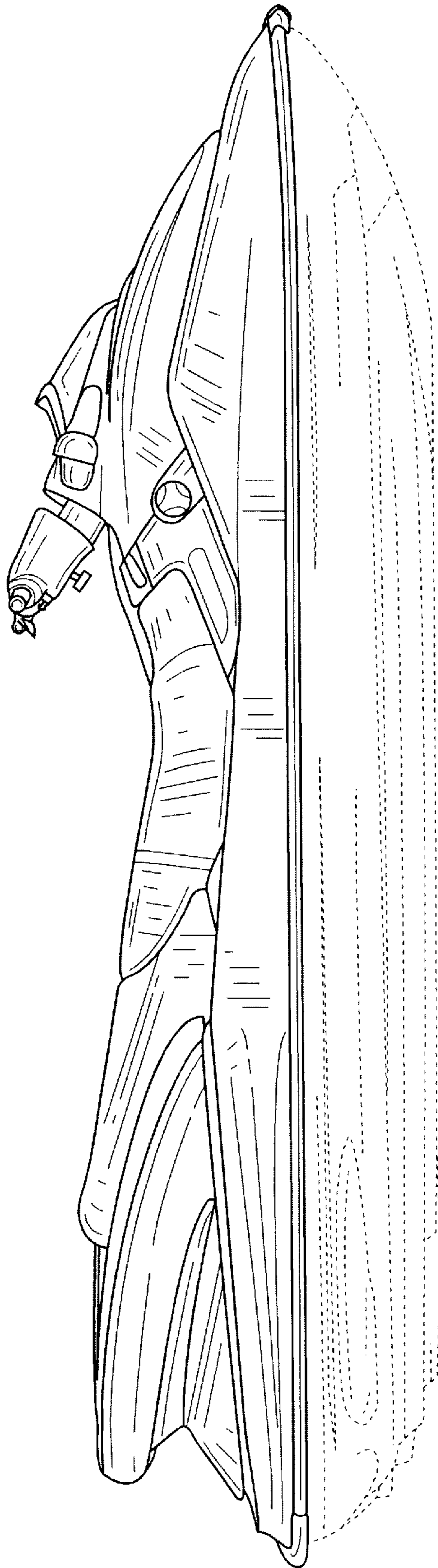
- D325,556 S \* 4/1992 LaPointe ..... D12/307
- D340,221 S \* 10/1993 Krieger et al. .... D12/307
- D343,360 S \* 1/1994 LaPointe ..... D12/307
- 5,320,059 A 6/1994 Ikeda
- 5,572,943 A 11/1996 Kobayashi et al.
- 5,676,086 A 10/1997 Watkins
- D399,182 S \* 10/1998 Lapointe et al. .... D12/307

**1 Claim, 6 Drawing Sheets**

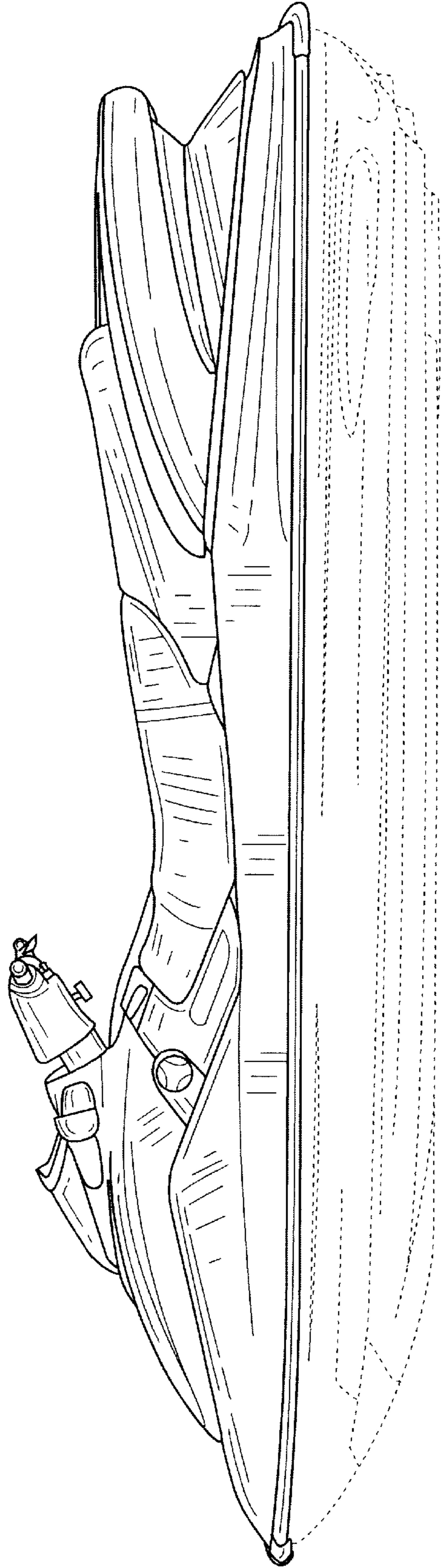




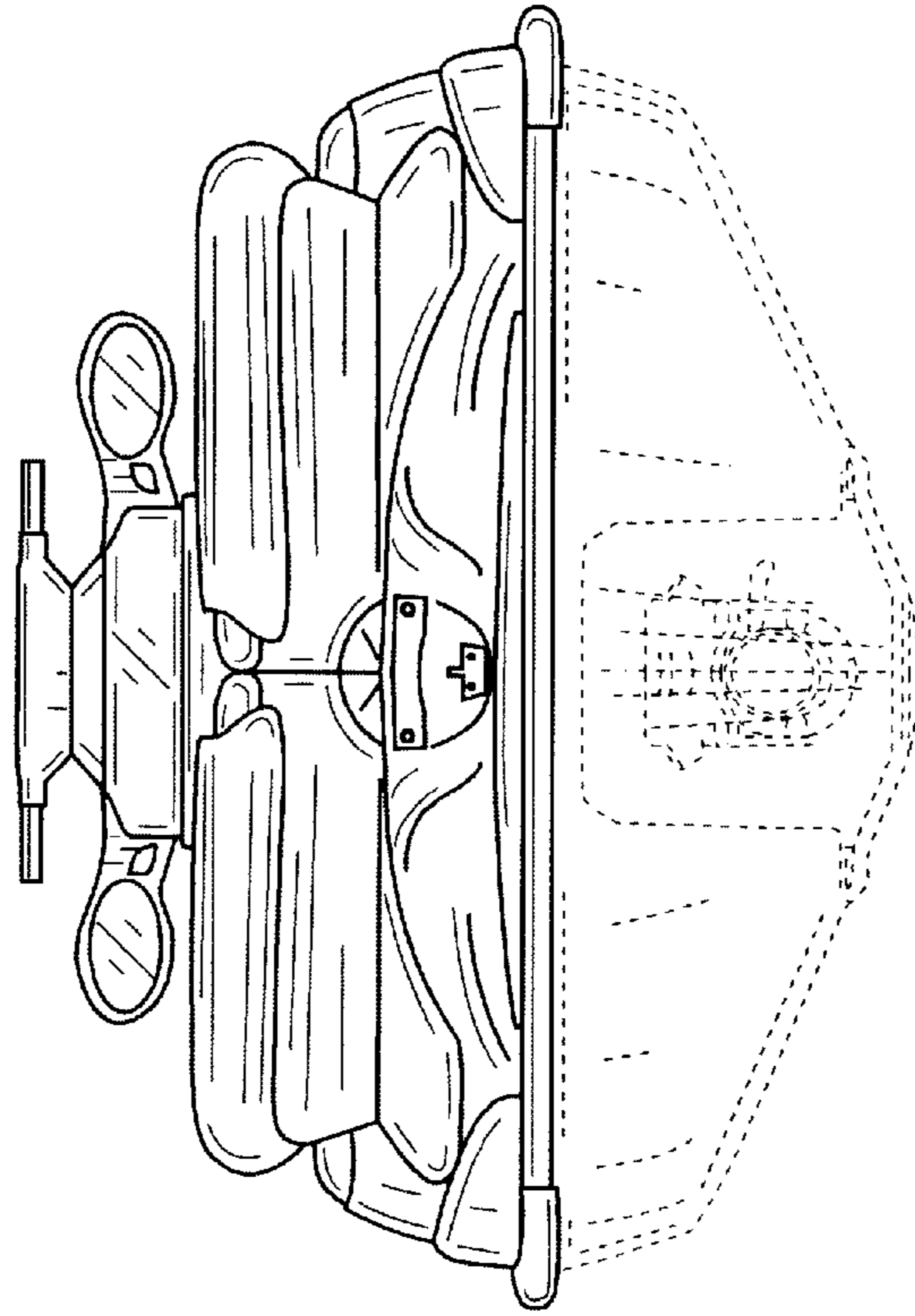
**FIG. 1**



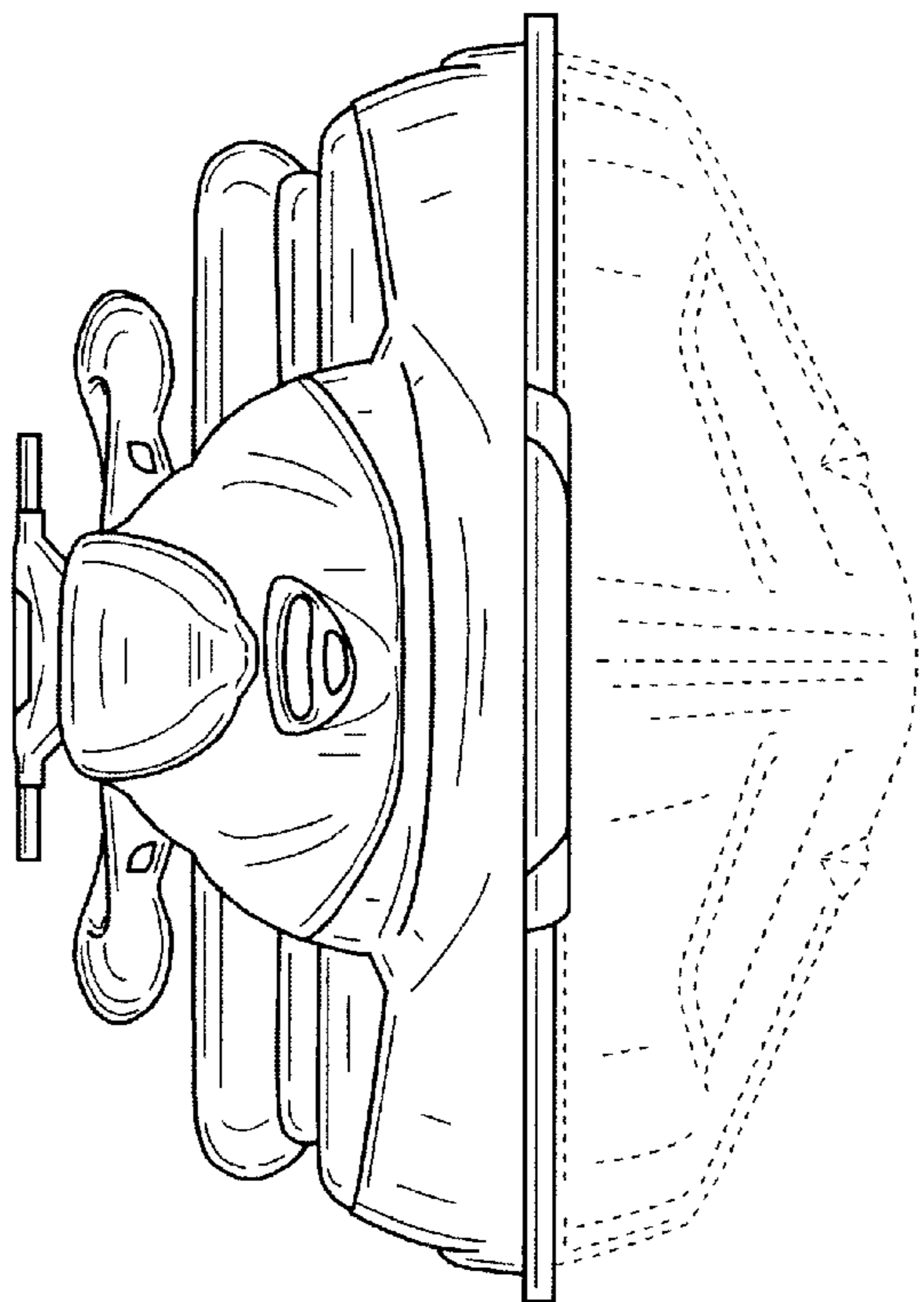
**FIG. 2**



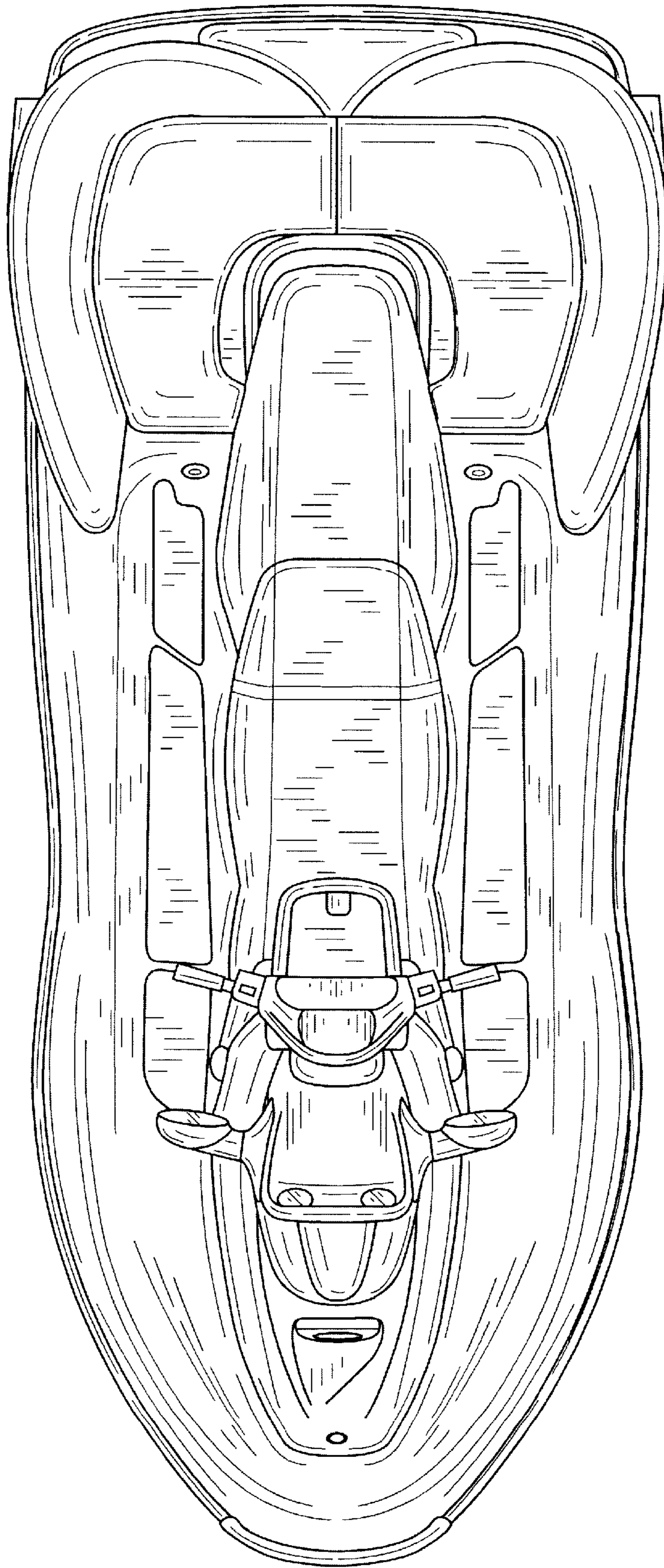
**FIG. 3**



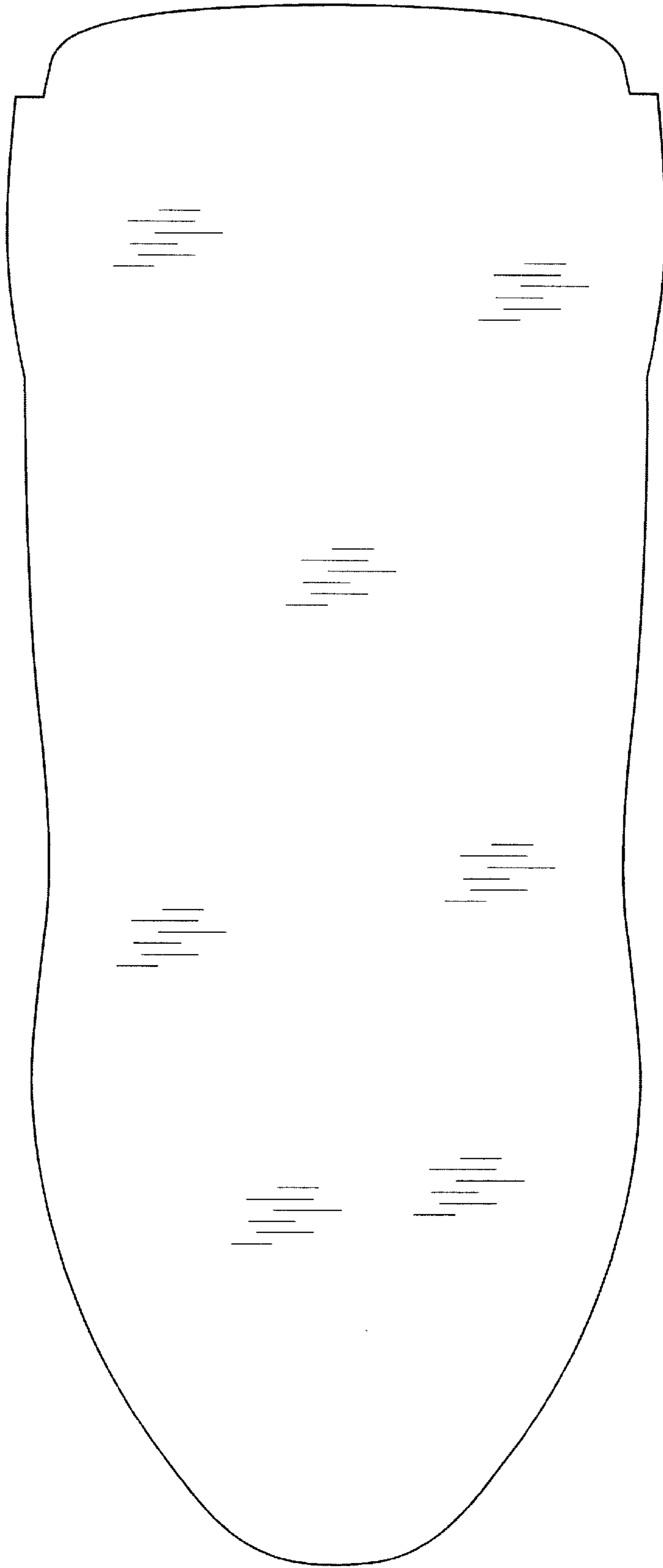
**FIG. 4**



**FIG. 5**



**FIG. 6**



**FIG. 7**