



US00D483314S

(12) **United States Design Patent**
Graves

(10) **Patent No.:** **US D483,314 S**

(45) **Date of Patent:** **** *Dec. 9, 2003**

(54) **POOL FOR A TRUCK BED**

(76) Inventor: **Danny C. Graves**, 1175 Patriot St.,
Billings, MT (US) 59105

(*) Notice: This patent is subject to a terminal disclaimer.

(**) Term: **14 Years**

(21) Appl. No.: **29/147,736**

(22) Filed: **Sep. 6, 2001**

(51) **LOC (7) Cl.** **12-06**

(52) **U.S. Cl.** **D12/221**

(58) **Field of Search** D12/221, 98; 296/37.6,
296/37.1, 24.1, 39.1, 39.2

(56) **References Cited**

U.S. PATENT DOCUMENTS

D248,386 S 7/1978 Hefner
5,201,562 A 4/1993 Dorsey

D336,063 S * 6/1993 Stallings D12/221 X
D346,991 S * 5/1994 Krieger, Jr. D12/221 X
6,042,169 A 3/2000 Emery

* cited by examiner

Primary Examiner—Melody N. Brown

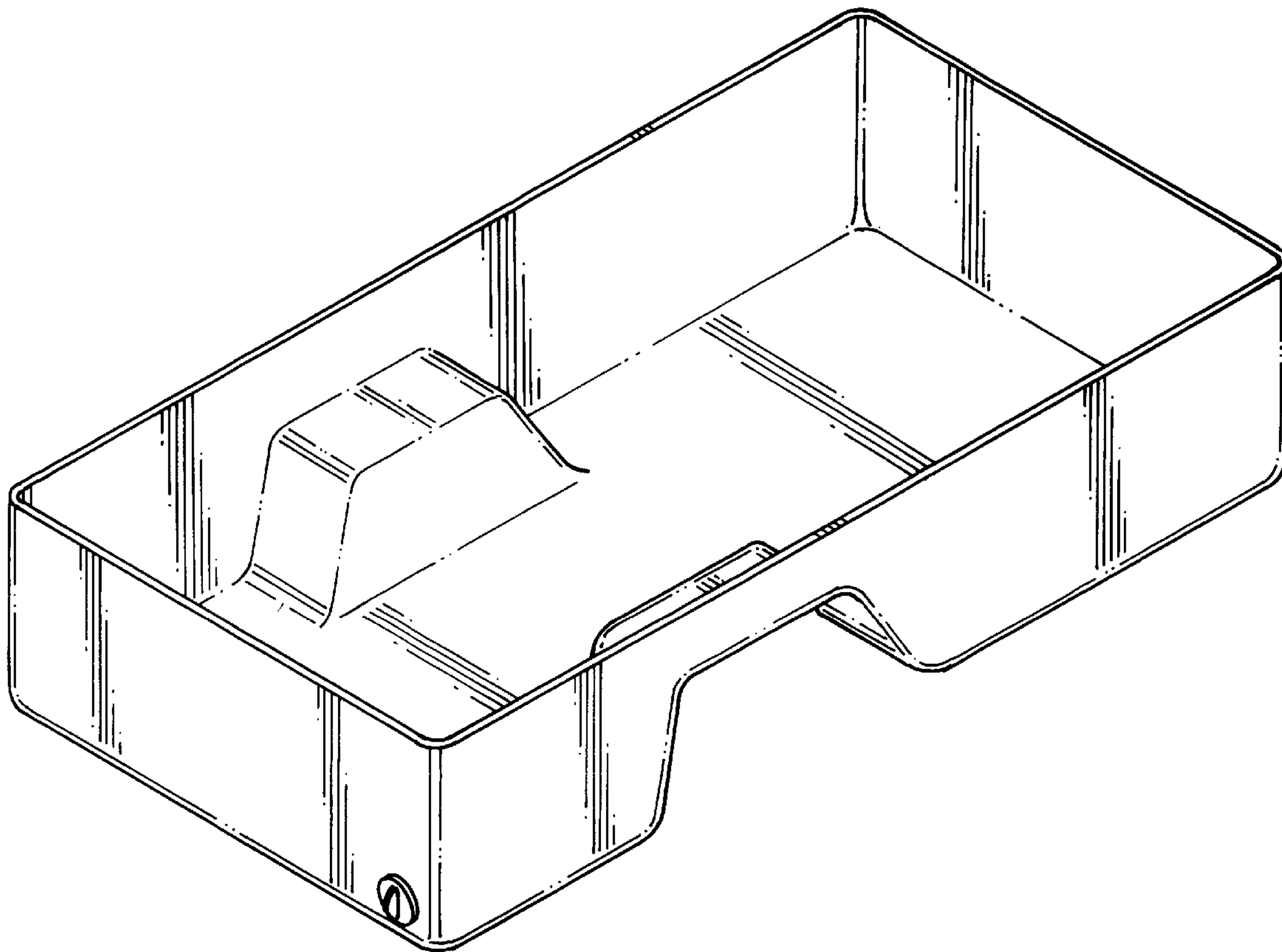
(57) **CLAIM**

The ornamental design for a pool for a truck bed, as shown and described.

DESCRIPTION

FIG. 1 is a perspective view of a pool for a truck bed, showing my new design;
FIG. 2 is a front elevational view thereof;
FIG. 3 is a rear elevational view thereof;
FIG. 4 is a right side elevational view thereof, the left side elevational view being a mirror image of this Figure;
FIG. 5 is a top plan view thereof; and,
FIG. 6 is a bottom plan view thereof.

1 Claim, 3 Drawing Sheets



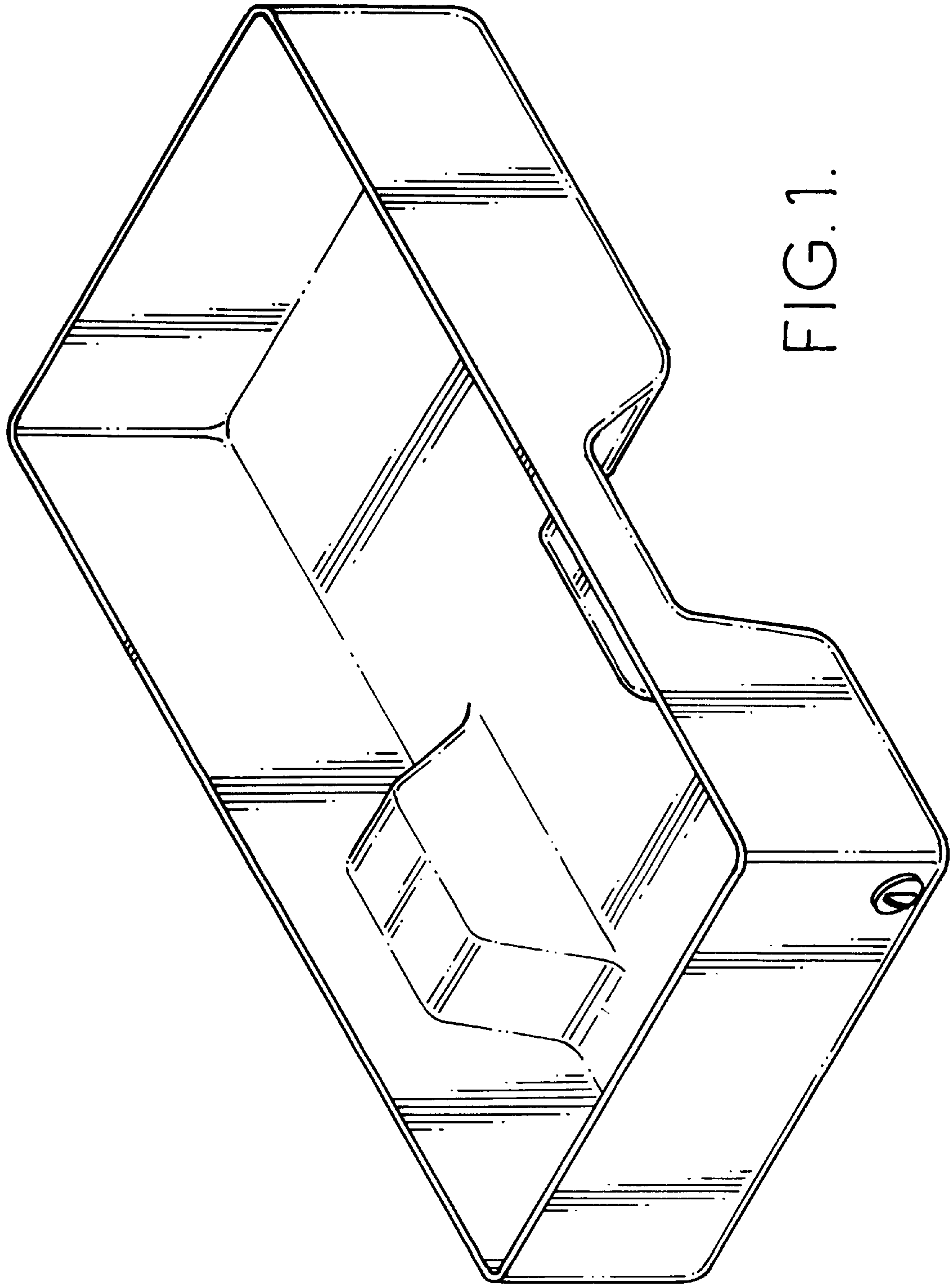


FIG. 1.

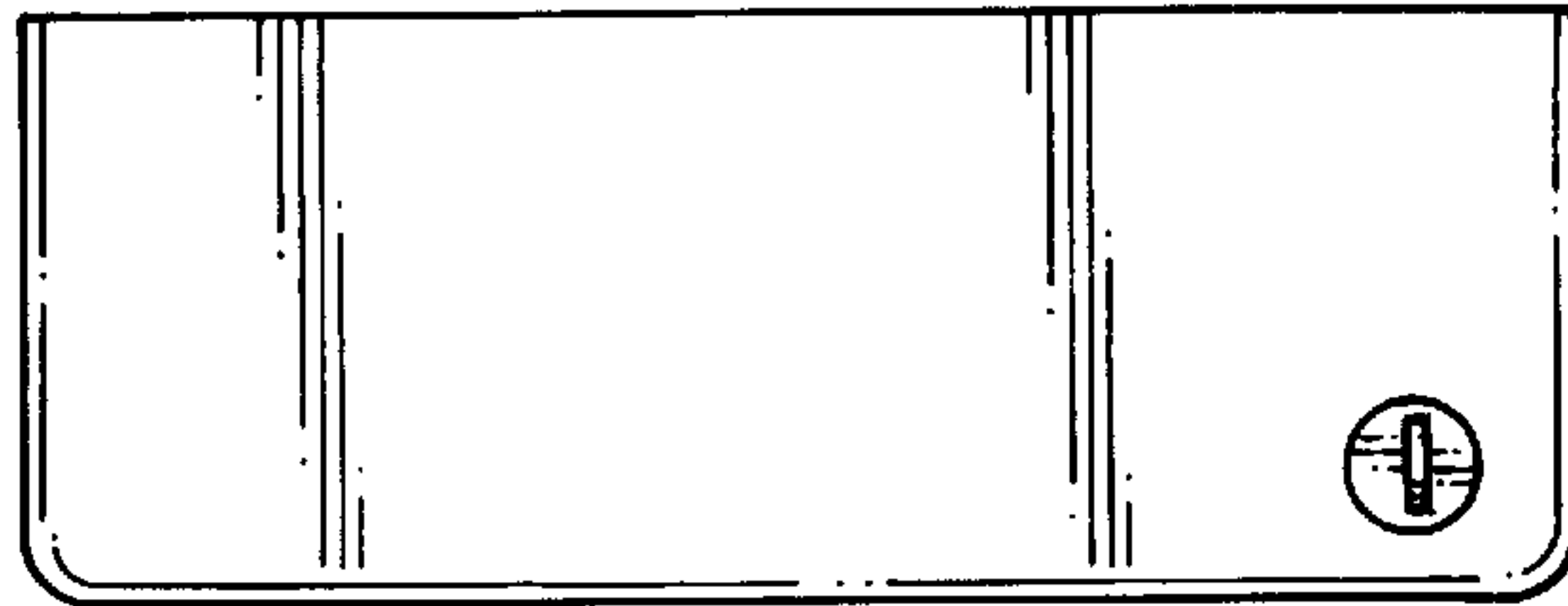


FIG. 2.

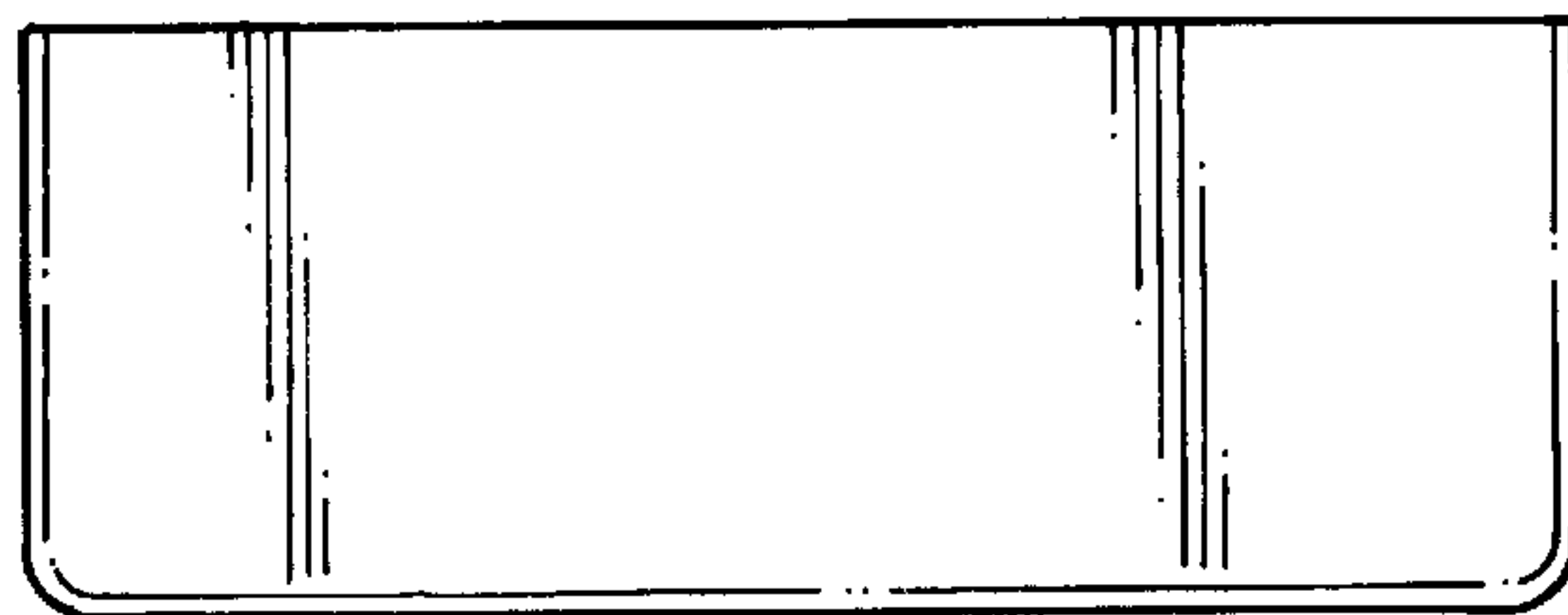


FIG. 3.

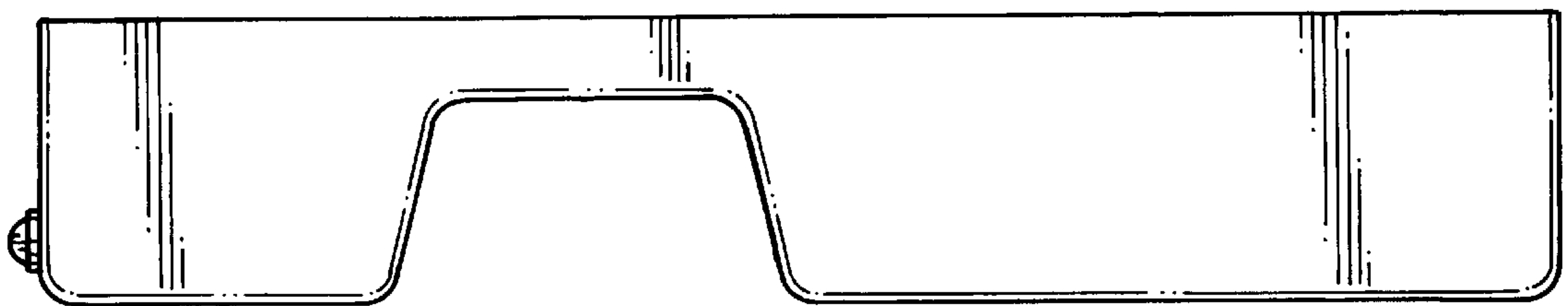


FIG. 4.

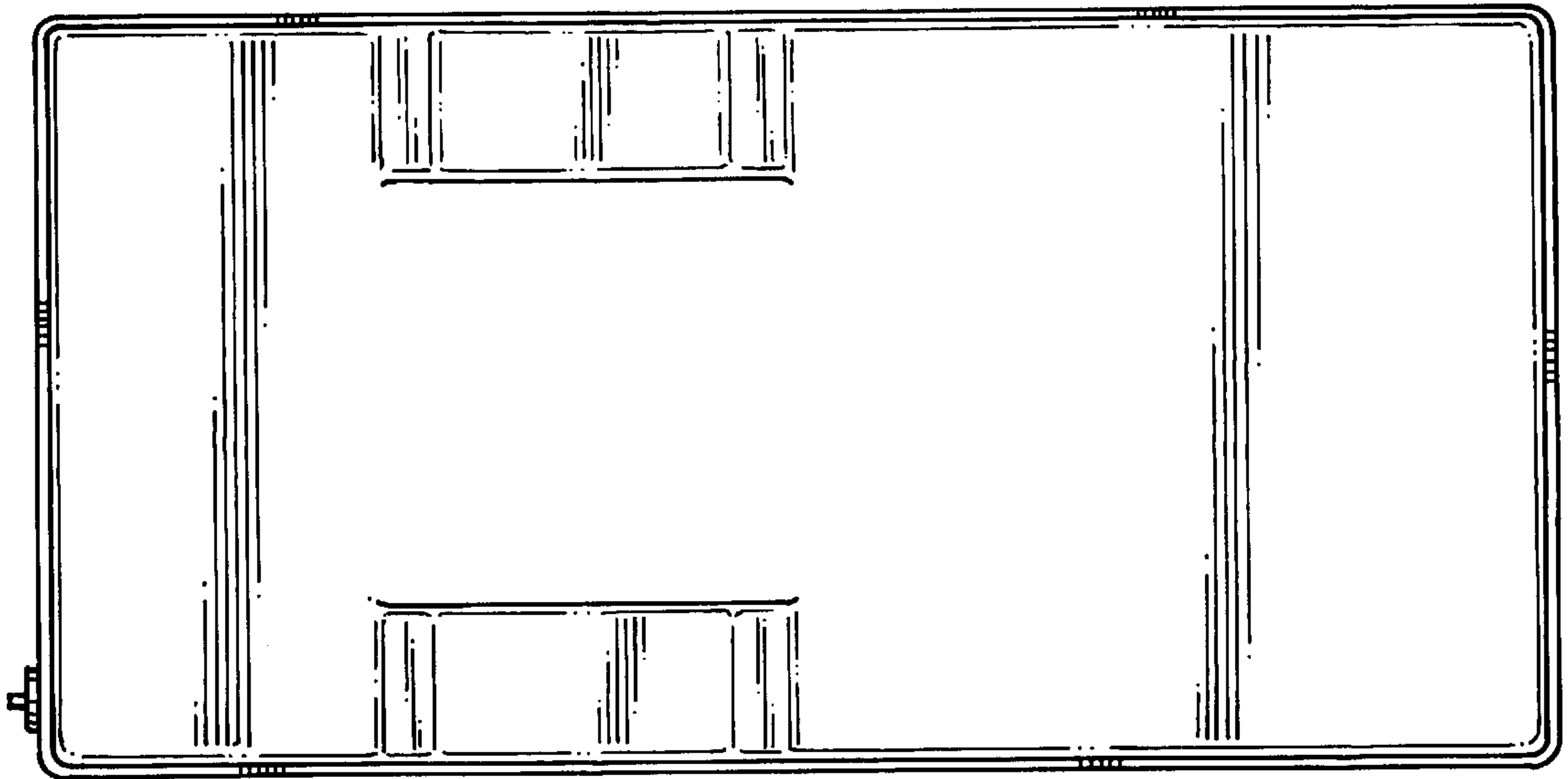


FIG. 5.

FIG. 6.

