



US00D483313S

(12) **United States Design Patent**  
**Lenz**

(10) **Patent No.:** **US D483,313 S**

(45) **Date of Patent:** **\*\* Dec. 9, 2003**

(54) **FRONT FACE OF A VEHICLE WHEEL**

(75) **Inventor:** **Mathias Lenz, Stuttgart (DE)**

(73) **Assignee:** **DaimlerChrysler AG, Stuttgart (DE)**

(\*\*) **Term:** **14 Years**

(21) **Appl. No.:** **29/156,944**

(22) **Filed:** **Mar. 12, 2002**

(30) **Foreign Application Priority Data**

Oct. 1, 2001 (DE) ..... 4 01 08 666

(51) **LOC (7) Cl.** ..... **12-16**

(52) **U.S. Cl.** ..... **D12/209**

(58) **Field of Search** ..... D12/204-211;  
301/37.101, 64.101, 65

(56) **References Cited**

**U.S. PATENT DOCUMENTS**

D336,886 S	*	6/1993	Mikawa	.....	D12/211
D394,038 S	*	5/1998	Braun	.....	D12/211
D411,501 S	*	6/1999	Cullen	.....	D12/209
D412,479 S	*	8/1999	Sacco et al.	.....	D12/209
D419,512 S	*	1/2000	Sacco et al.	.....	D12/209
D430,523 S	*	9/2000	Pfeiffer	.....	D12/209
D432,970 S	*	10/2000	Pfeiffer et al.	.....	D12/209
D444,118 S	*	6/2001	Chung	.....	D12/211
D451,458 S	*	12/2001	Sacco et al.	.....	D12/209

D452,838 S	*	1/2002	Hieke	.....	D12/209
D455,109 S	*	4/2002	Foose	.....	D12/211
D456,335 S	*	4/2002	Chung	.....	D12/211
D459,692 S	*	7/2002	Vian	.....	D12/211
D460,941 S	*	7/2002	Muzzarelli	.....	D12/211
D461,440 S	*	8/2002	Koch	.....	D12/211
D462,309 S	*	9/2002	Hieke	.....	D12/211
D465,758 S	*	11/2002	Plessing	.....	D12/211

\* cited by examiner

*Primary Examiner*—Stacia Cadmus

(74) *Attorney, Agent, or Firm*—Crowell & Moring LLP

(57) **CLAIM**

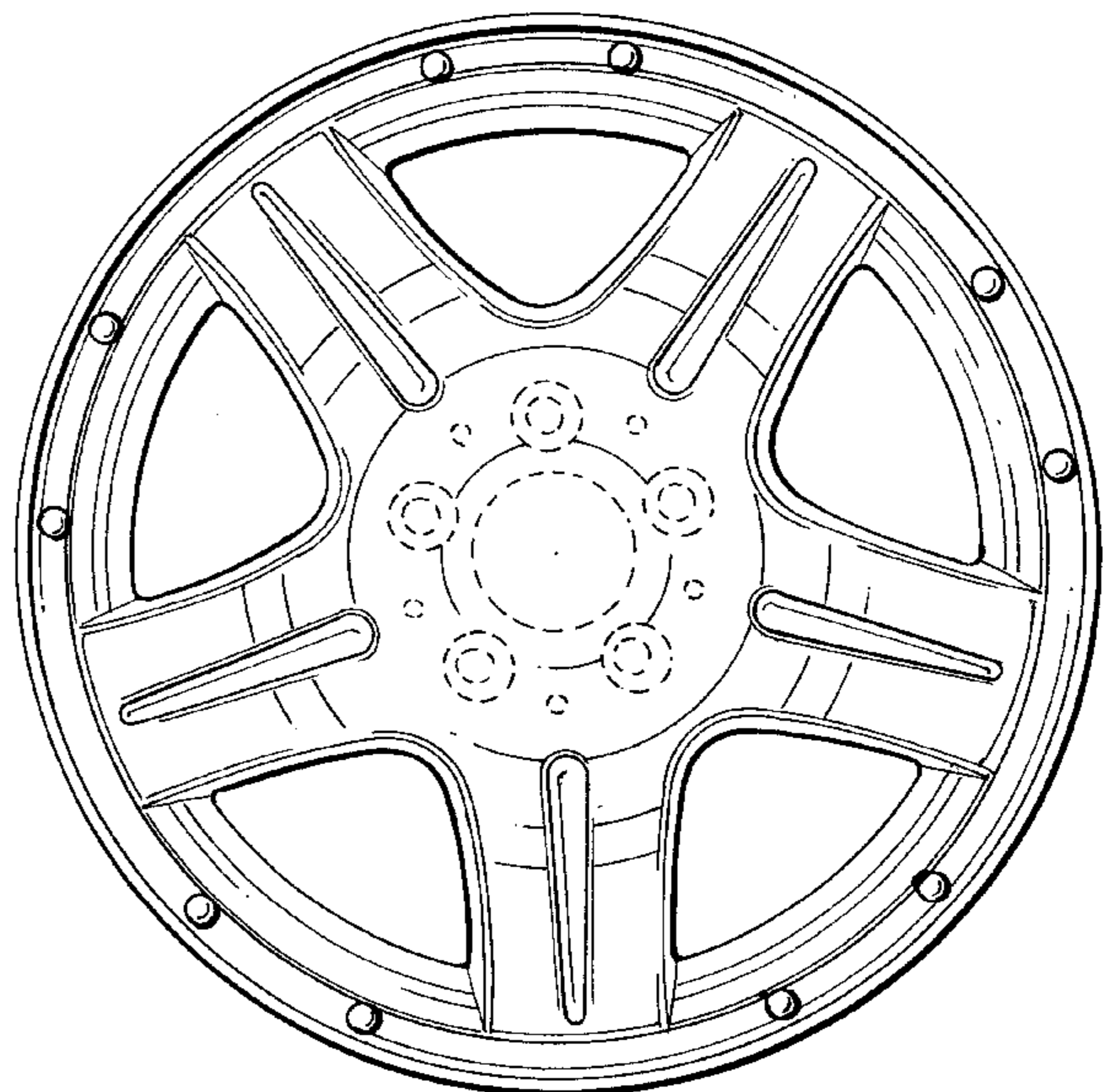
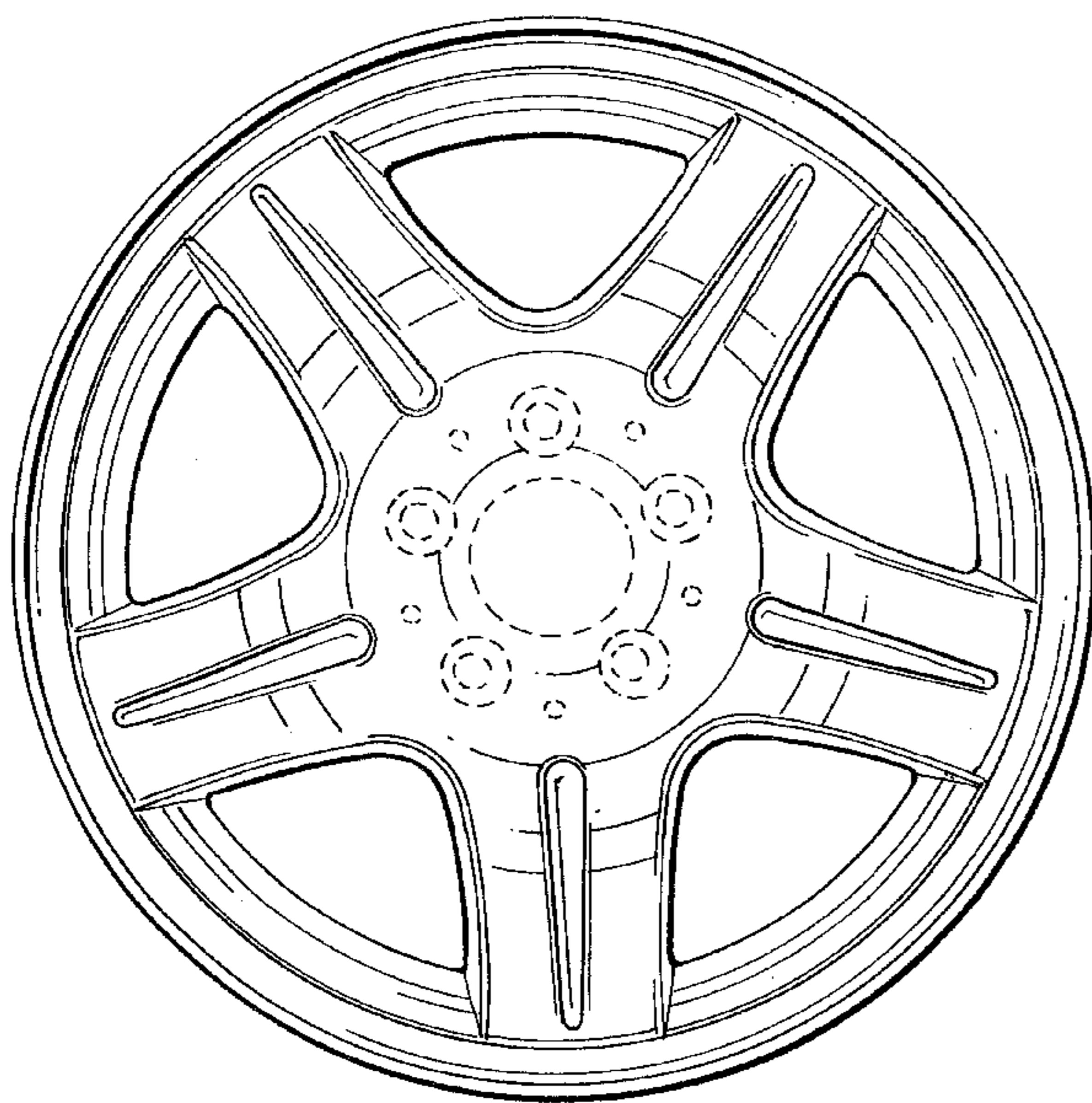
The ornamental design for a front face of a vehicle wheel, as shown and described.

**DESCRIPTION**

FIG. 1 is a front view of a first embodiment of a front face of a vehicle wheel according to my novel design; FIG. 2 is a perspective view of the first embodiment of the front face of a vehicle wheel according to my novel design; FIG. 3 is a front view of a second embodiment of the front face of a vehicle wheel according to my novel design; and, FIG. 4 is a perspective view of the second embodiment of the front face of a vehicle wheel according to my novel design.

The dash lines included depict environment and are not part of the claimed design.

**1 Claim, 2 Drawing Sheets**



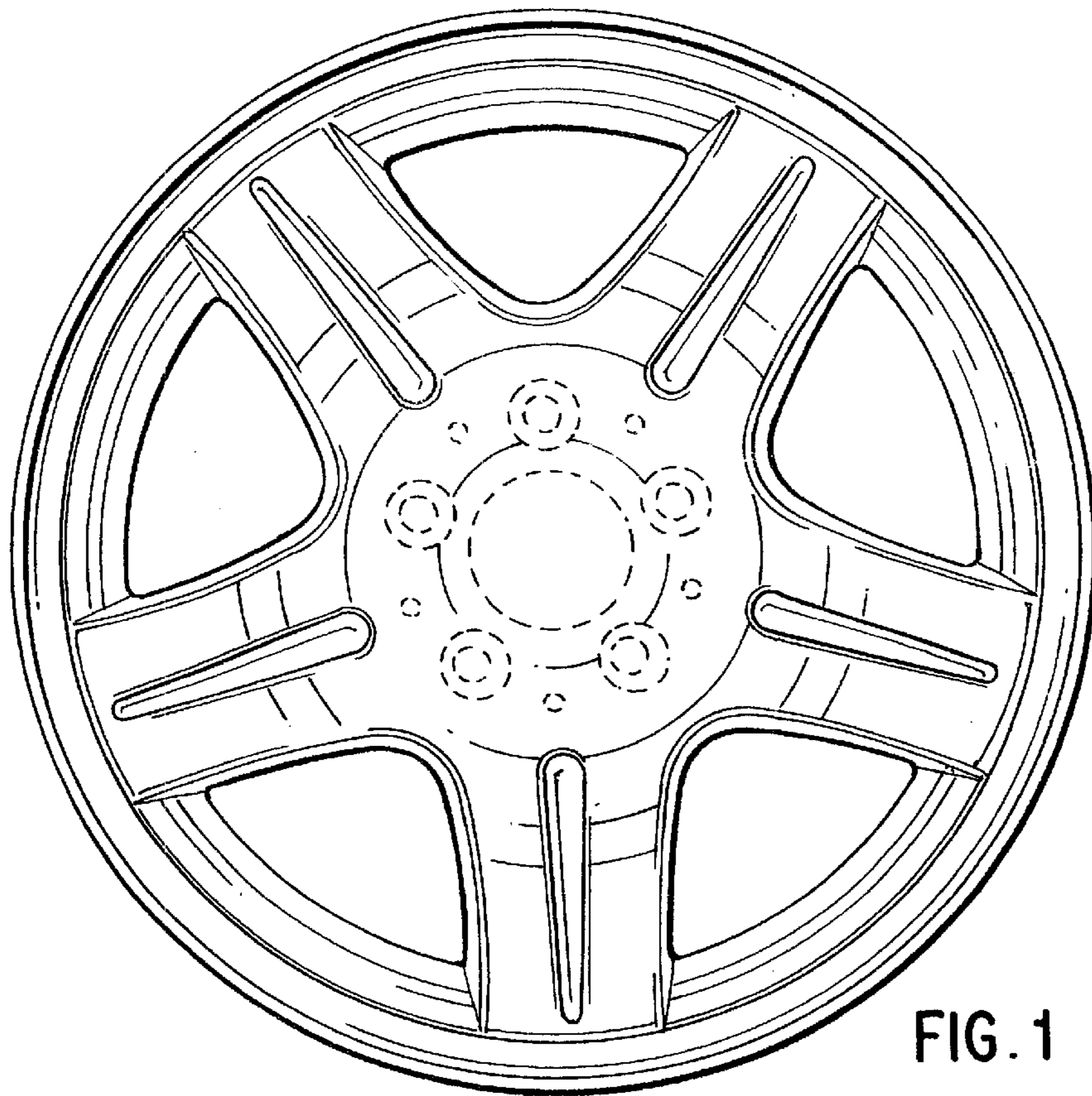


FIG. 1

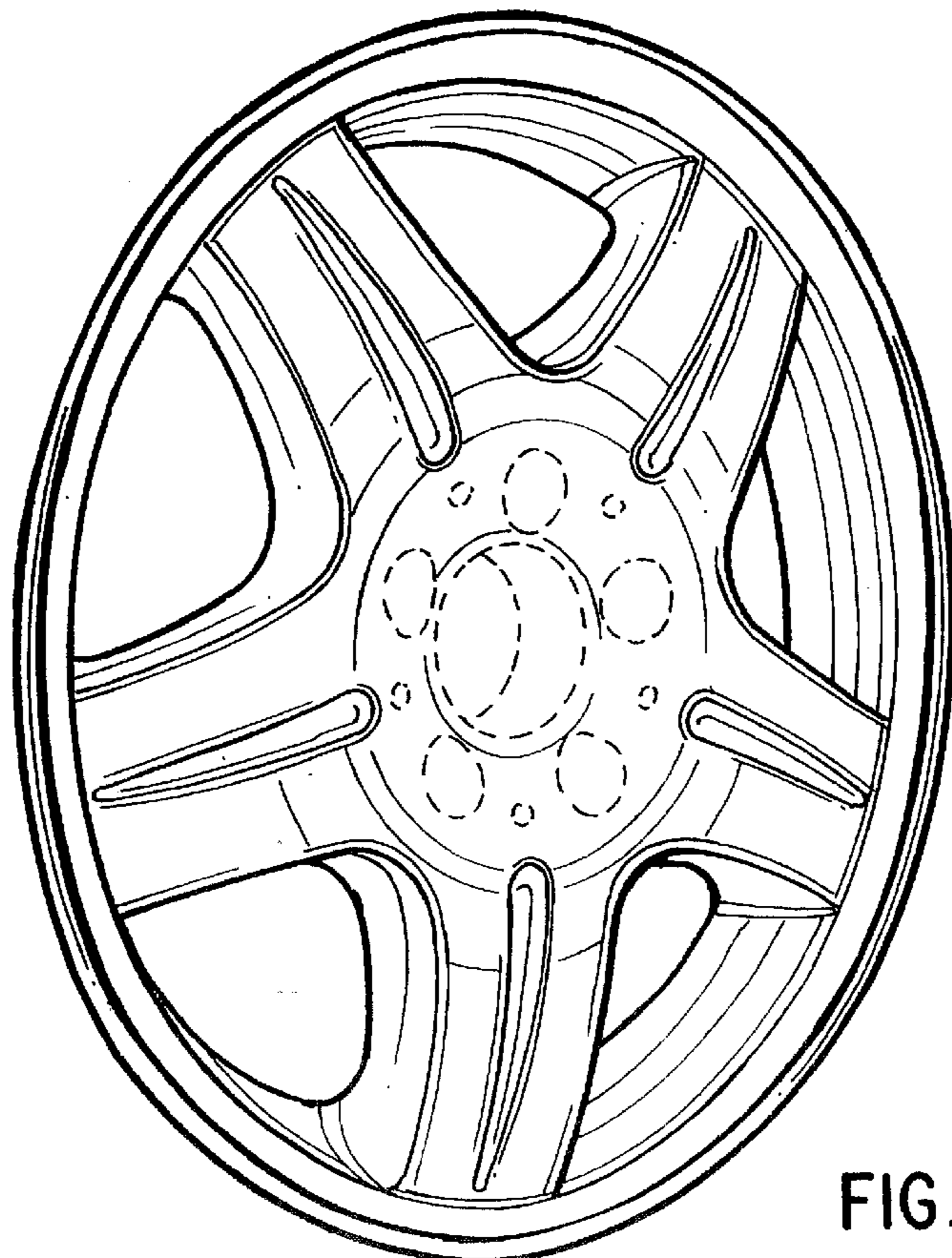


FIG. 2



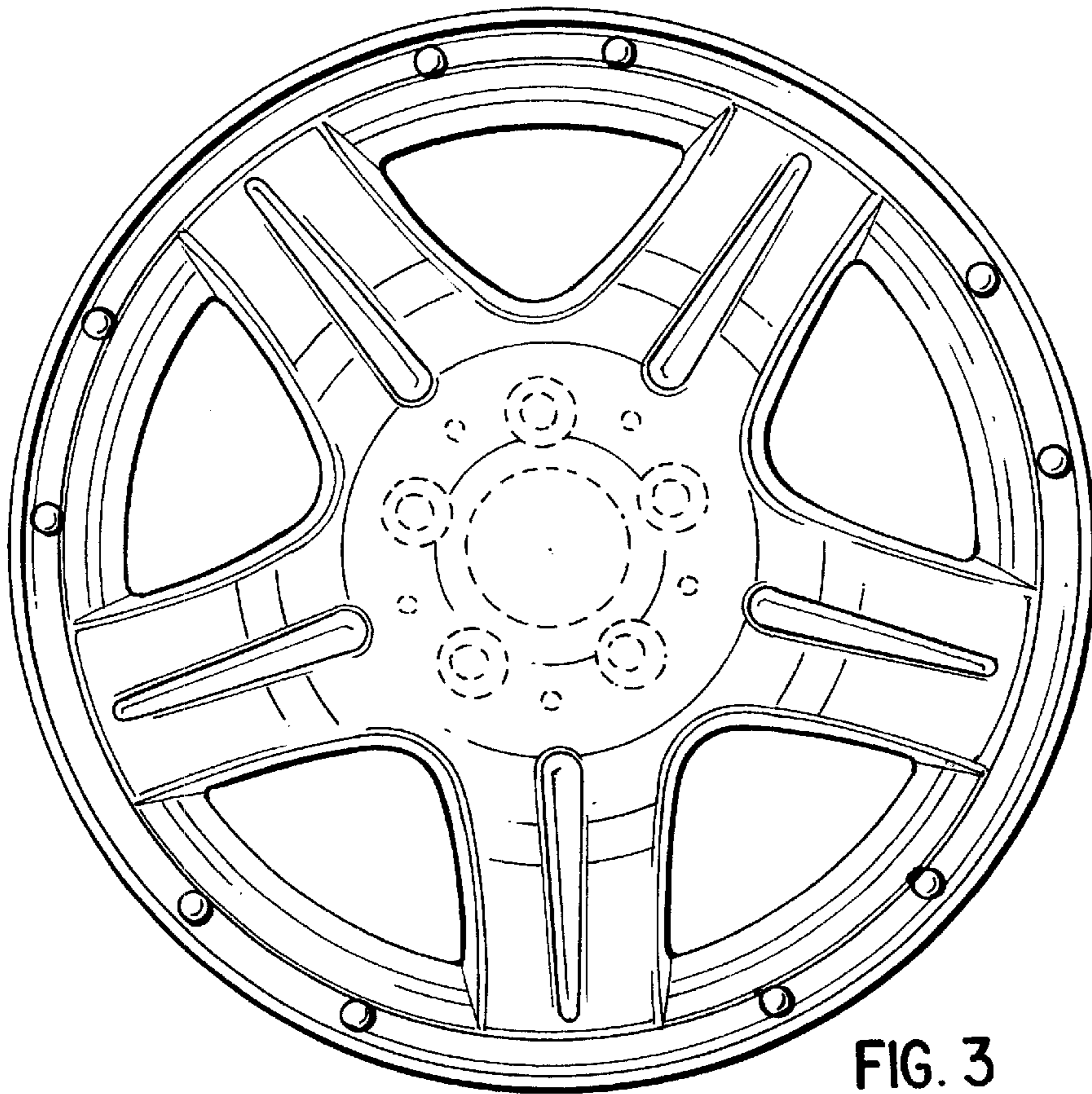


FIG. 3

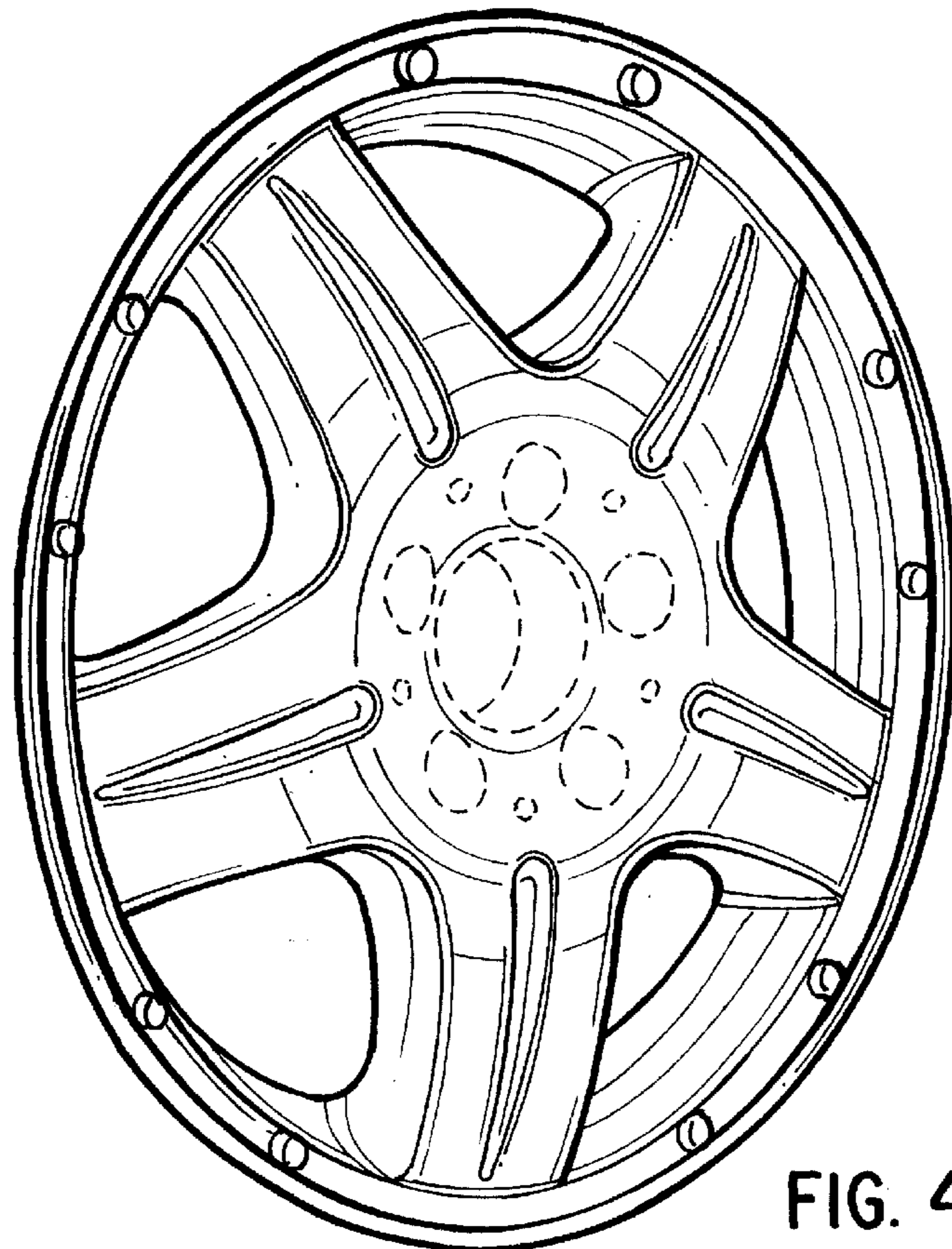


FIG. 4