



US00D483310S

(12) **United States Design Patent**
Knecht

(10) **Patent No.:** **US D483,310 S**

(45) **Date of Patent:** **** Dec. 9, 2003**

(54) **INSTRUMENT PANEL**

(76) **Inventor:** **Karl Don Knecht**, 1107 Lynda La.,
Arlington, TX (US) 76013

(**) **Term:** **14 Years**

(21) **Appl. No.:** **29/170,686**

(22) **Filed:** **Nov. 13, 2002**

(51) **LOC (7) Cl.** **12-16**

(52) **U.S. Cl.** **D12/192**

(58) **Field of Search** D12/192, 114,
D12/174, 103, 98, 125, 110; 180/90, 219,
176; 280/281.1, 288.1–288.4, 752, DIG. 5;
296/70, 190–191; D10/46, 46.3, 49, 98,
123–126; D14/114.3–114.5; 116/62.1, 62.4

(56) **References Cited**

U.S. PATENT DOCUMENTS

D54,140 S	*	11/1919	Smith	D12/192
D67,480 S	*	6/1925	Whittington	D12/192
D68,260 S	*	9/1925	Kent	D12/192
D73,163 S	*	8/1927	Dingman	D12/192
D73,347 S	*	8/1927	Smith	D12/192
D241,332 S	*	9/1976	Gordon	D12/192
D244,183 S	*	5/1977	Gordon	D12/192

D249,247 S	*	9/1978	Shotz et al.	D10/98
D276,715 S	*	12/1984	Morioka et al.	D12/192
D277,176 S	*	1/1985	Komuro	D12/192
D410,608 S	*	6/1999	Kraus	D12/192
D456,754 S	*	5/2002	Keating	D12/192
D470,090 S	*	2/2003	Sawabe	D12/192

* cited by examiner

Primary Examiner—Stacia Cadmus

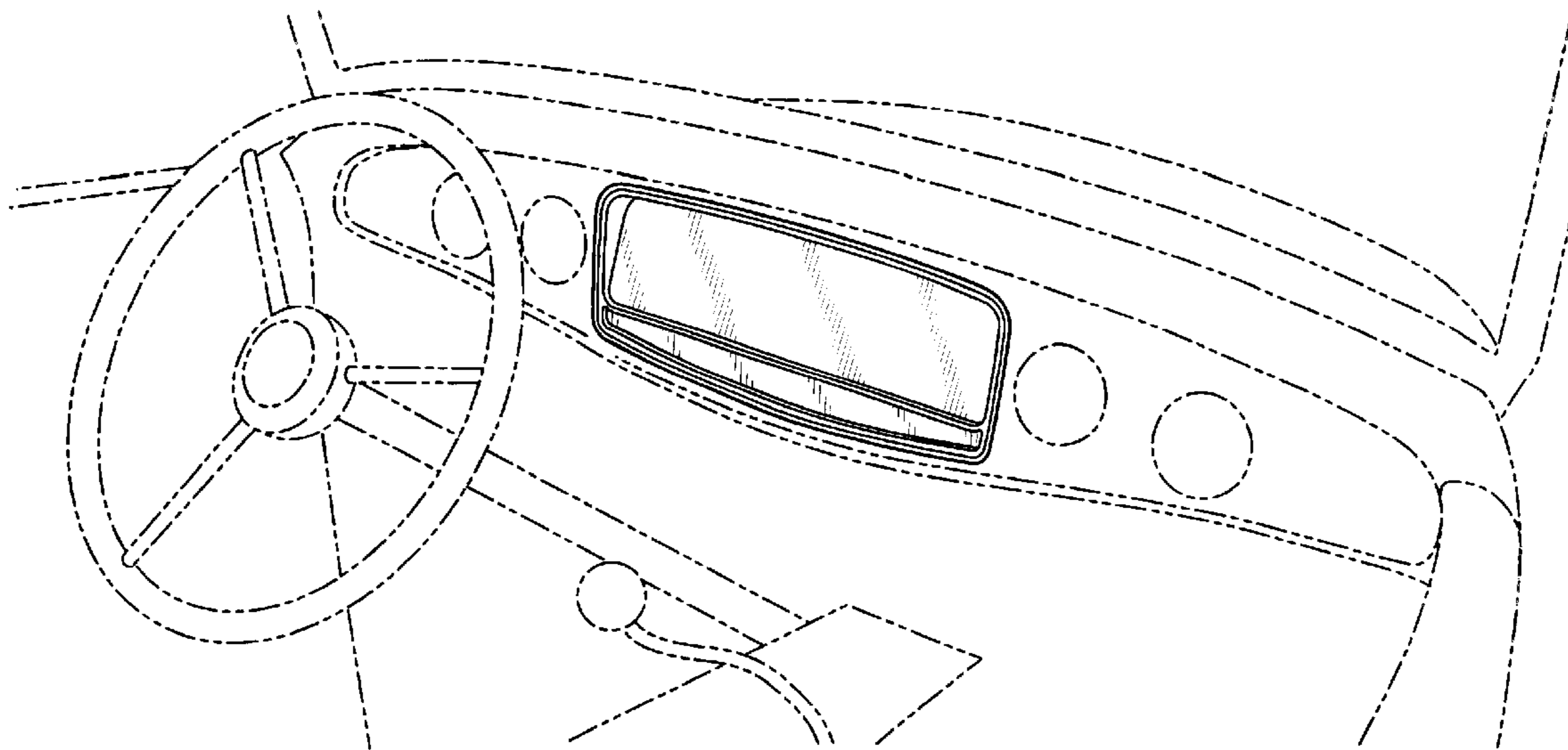
(57) **CLAIM**

The ornamental design for an instrument panel, as shown and described.

DESCRIPTION

FIG. 1 is a perspective view of an instrument panel, showing my new design; The broken lines are for illustrative purposes only and form no part of the claimed design; FIG. 2 is an enlarged top plan view thereof; FIG. 3 is an enlarged front plan view thereof; FIG. 4 is an enlarged bottom plan view thereof; FIG. 5 is an enlarged right side elevation view thereof, it being understood that the left side is a mirror image thereof; and, FIG. 6 is a section view taken along line 6—6 in FIG. 3.

1 Claim, 1 Drawing Sheet



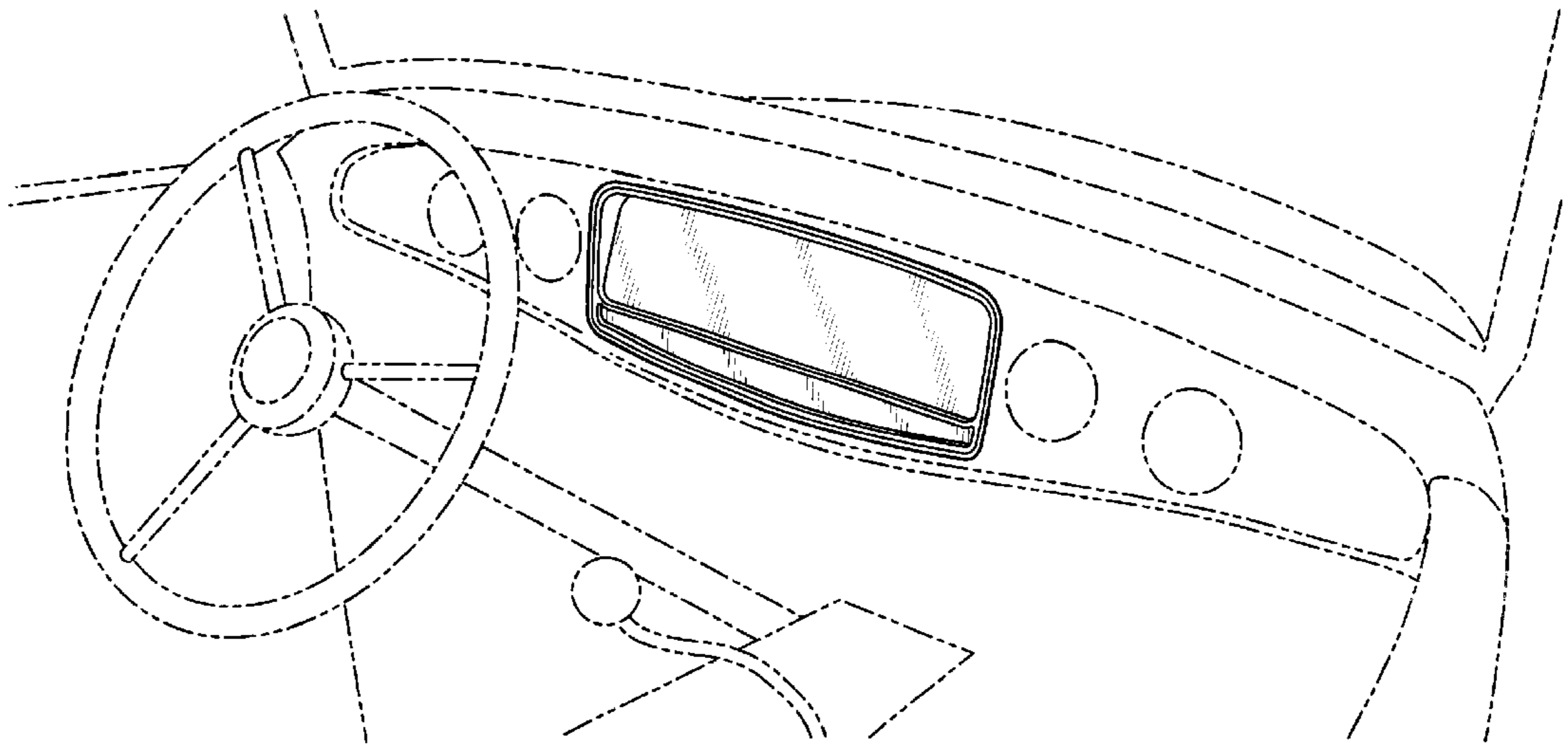


Fig. 1



Fig. 2

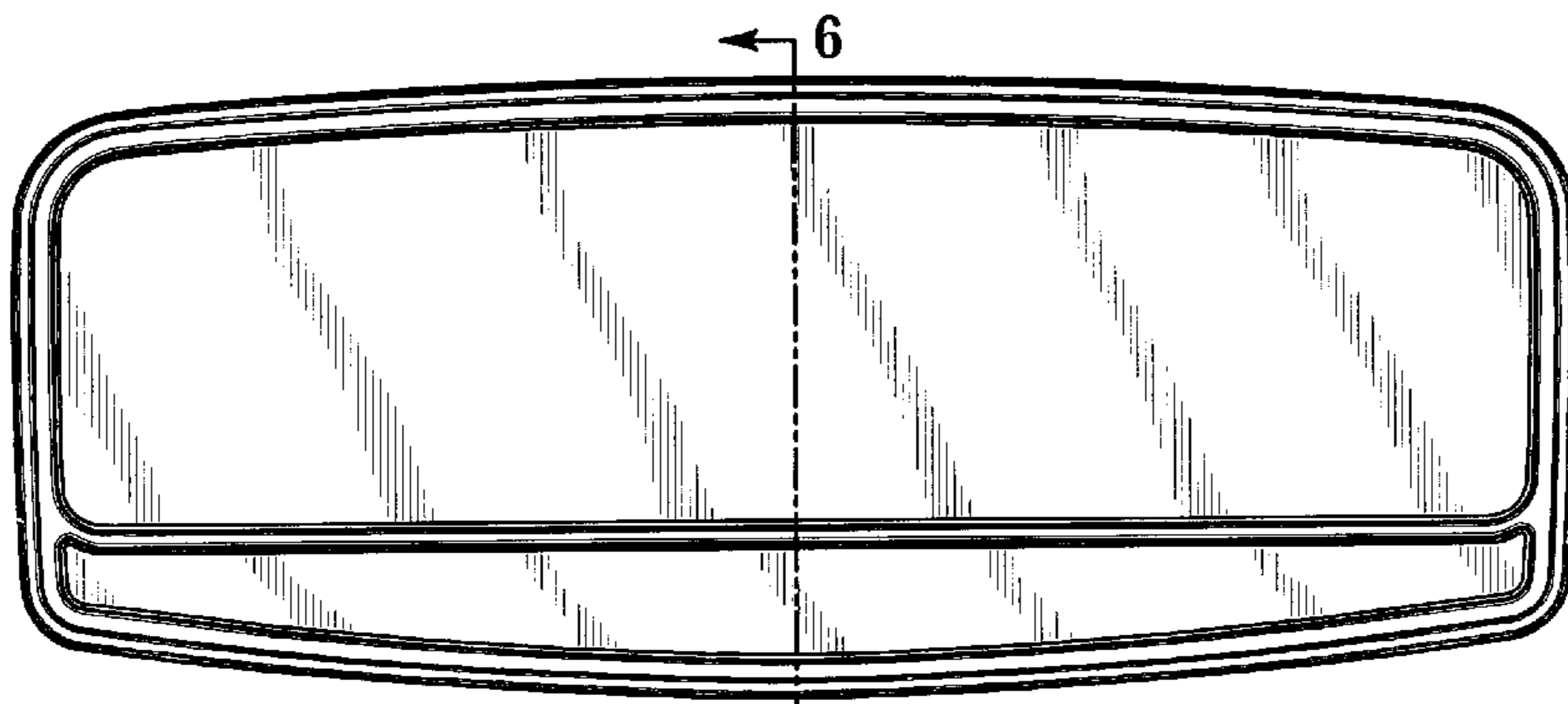


Fig. 3

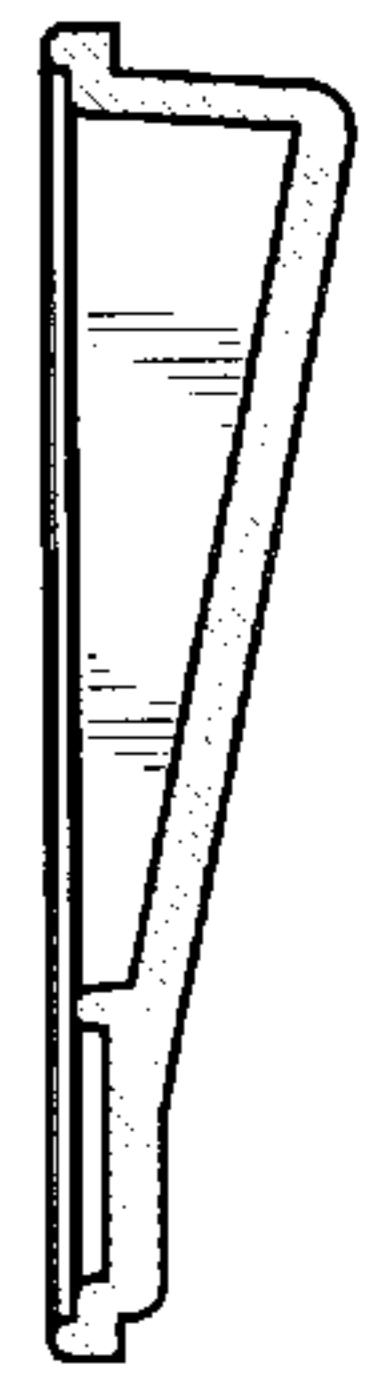
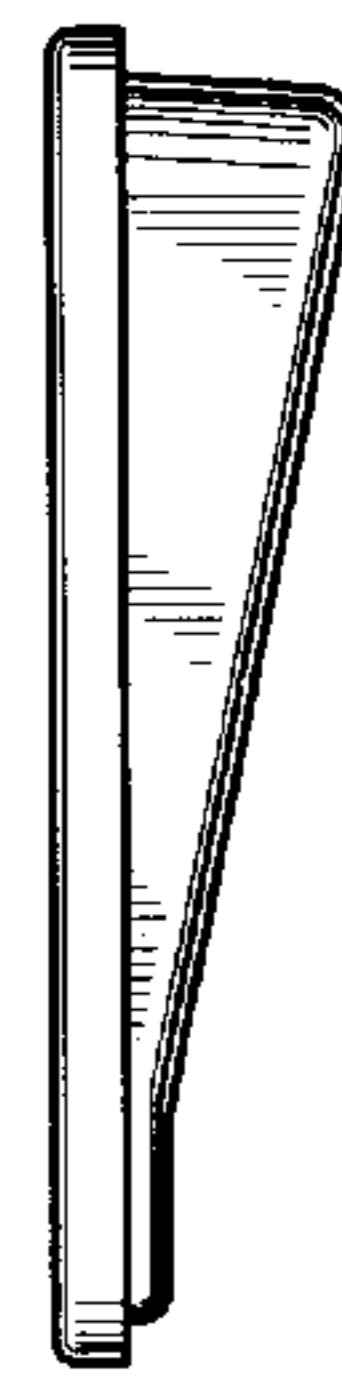


Fig. 5 Fig. 6

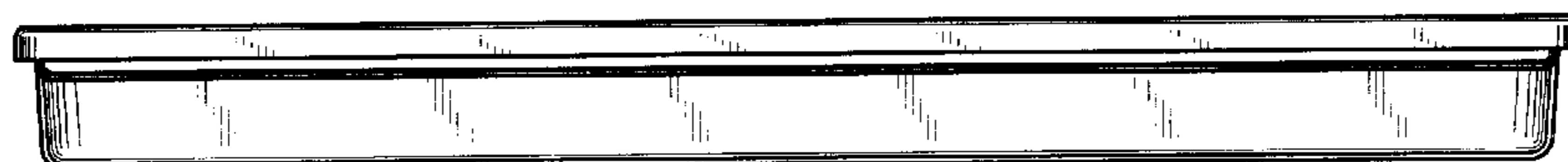


Fig. 4