



US00D483306S

(12) **United States Design Patent**
Meinhold

(10) **Patent No.:** **US D483,306 S**

(45) **Date of Patent:** **** Dec. 9, 2003**

(54) **BICYCLE HANDLEBAR ASSEMBLY**

(76) **Inventor:** **Robert Meinhold**, 78 Emanuel Dr.,
Boxborough, MA (US) 01749

(**) **Term:** **14 Years**

(21) **Appl. No.:** **29/165,777**

(22) **Filed:** **Aug. 16, 2002**

(51) **LOC (7) Cl. 12-16**

(52) **U.S. Cl. D12/178**

(58) **Field of Search D12/111, 178;**
74/551.1-551.9; 280/281.1, 288.1-288.4,
279

(56) **References Cited**

U.S. PATENT DOCUMENTS

574,751	A	*	1/1897	Newman	74/551.1
602,016	A	*	4/1898	Johnson	74/551.1
4,453,730	A	*	6/1984	Klose	280/281.1
4,930,798	A	*	6/1990	Yamazaki et al.	280/261
5,005,674	A	*	4/1991	Piatt	188/24.11
5,145,210	A	*	9/1992	Lennon	280/281.1
5,201,243	A	*	4/1993	Schneider	74/551.1
D337,748	S	*	7/1993	Adams	D12/178
5,224,396	A	*	7/1993	Lobbezoo et al.	74/551.3
5,235,871	A	*	8/1993	Yamazaki et al.	74/551.8

5,319,995	A	*	6/1994	Huang	74/551.8
5,429,013	A	*	7/1995	Taylor et al.	74/551.1
5,439,433	A	*	8/1995	Lundin et al.	482/53
5,660,085	A	*	8/1997	Tamplin	74/551.3
5,758,548	A	*	6/1998	Smith	74/551.1
5,887,882	A	*	3/1999	Atchison	280/288.1
5,899,117	A	*	5/1999	Newkirk	74/551.8

* cited by examiner

Primary Examiner—Alan P. Douglas

Assistant Examiner—Linda Brooks

(74) *Attorney, Agent, or Firm*—Kriegsman & Kriegsman

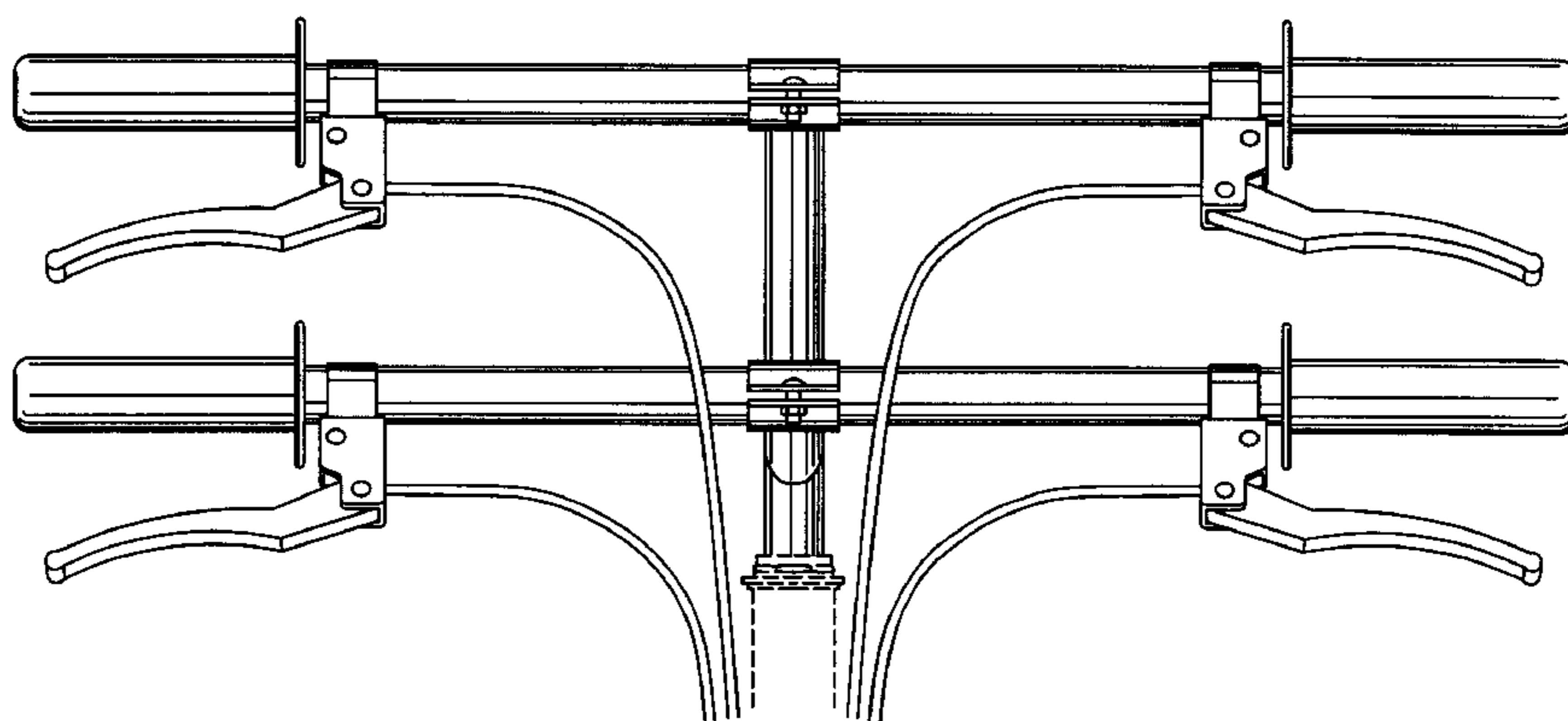
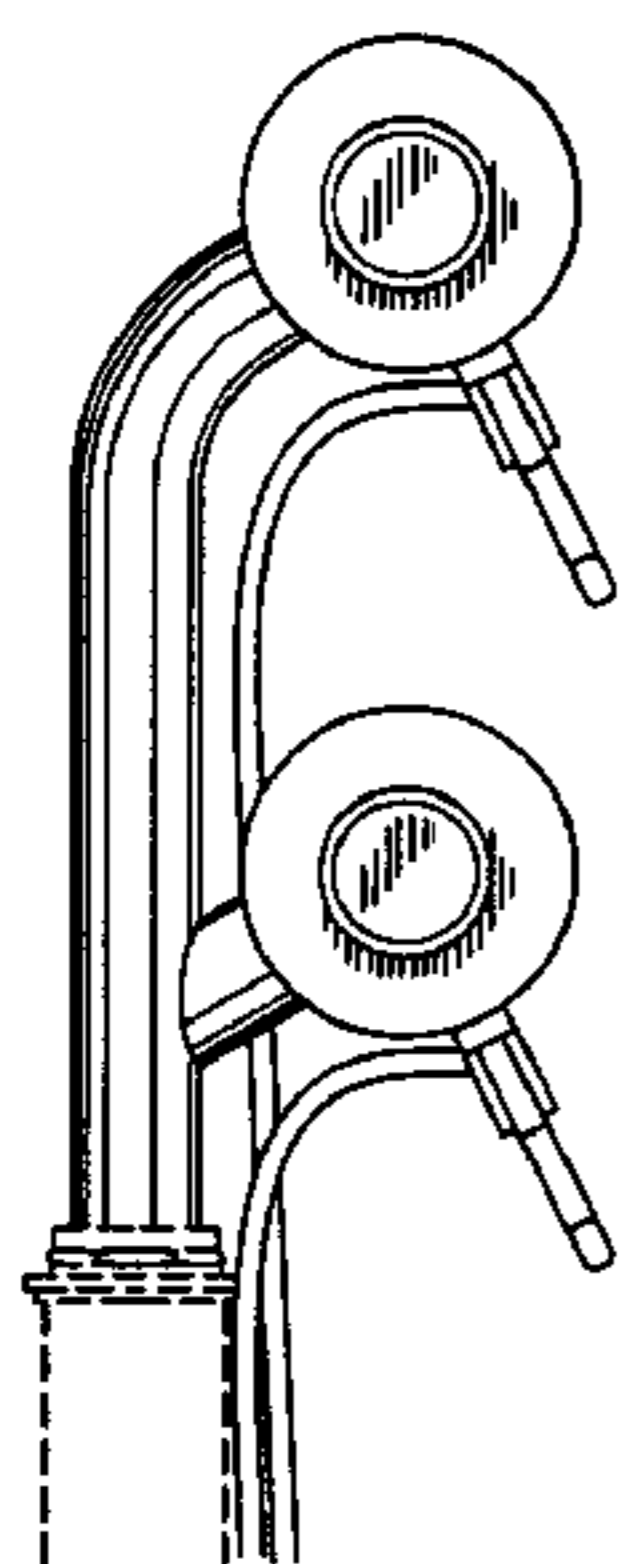
(57) **CLAIM**

The ornamental design for a bicycle handlebar assembly, as shown and described.

DESCRIPTION

FIG. 1 is a front view of a bicycle handlebar assembly showing my new design;
FIG. 2 is a left end view thereof;
FIG. 3 is a back view thereof;
FIG. 4 is a right end view thereof; and,
FIG. 5 is a top view thereof.
The broken lines shown are for illustrative purposes only and form no part the claimed design.

1 Claim, 2 Drawing Sheets



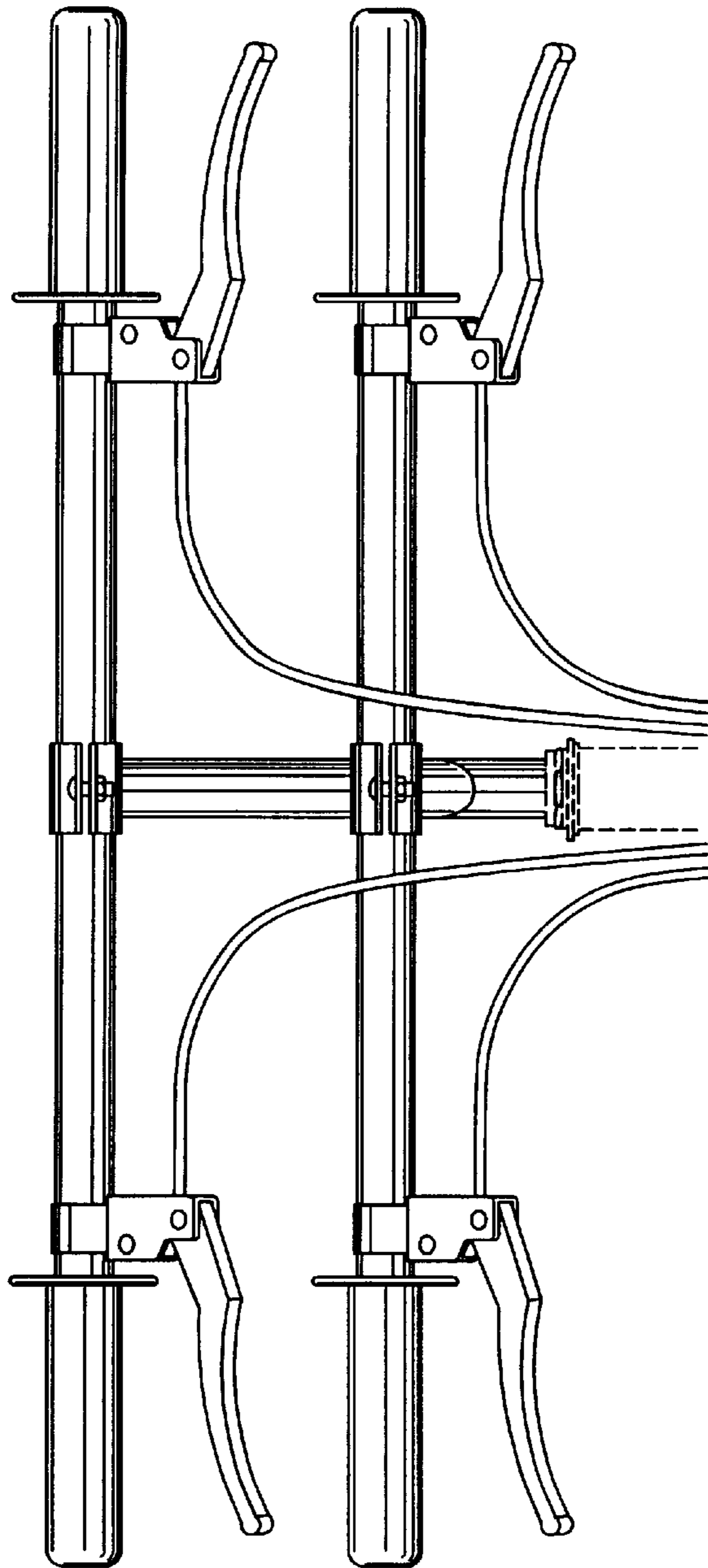


FIG. 1

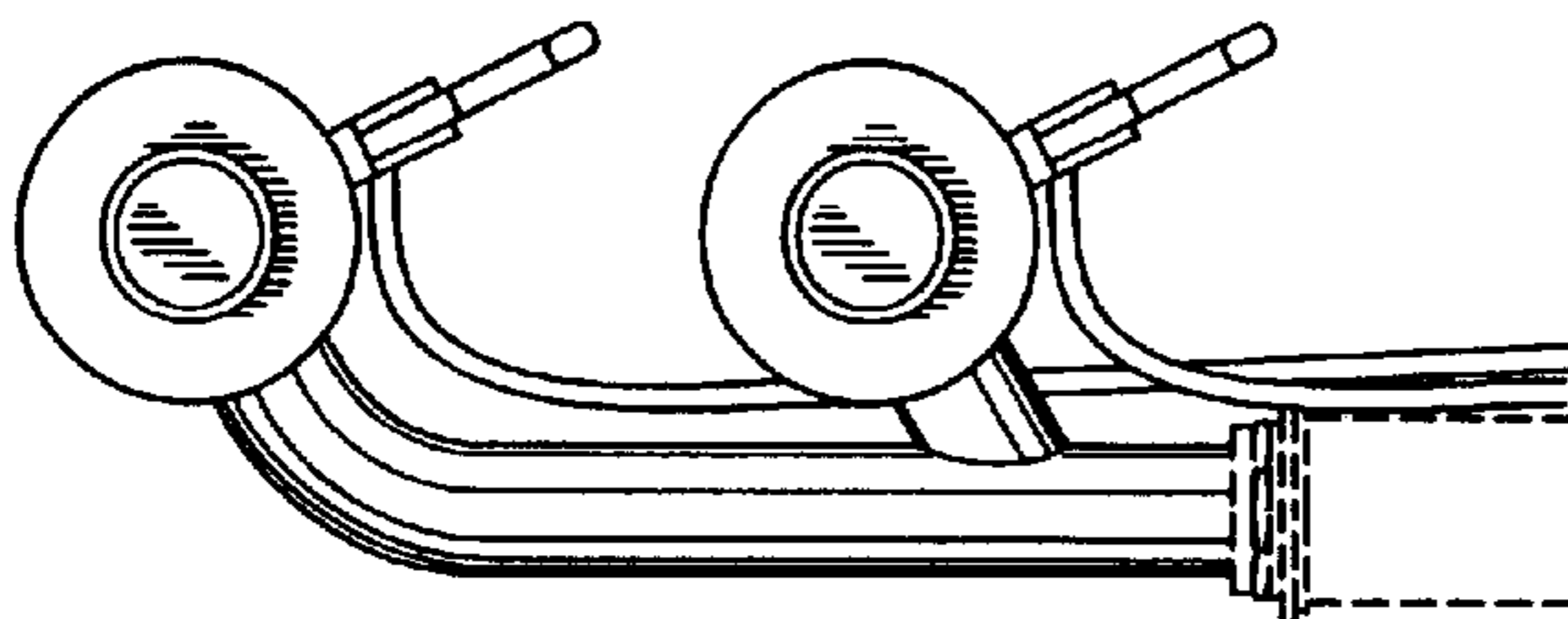


FIG. 2

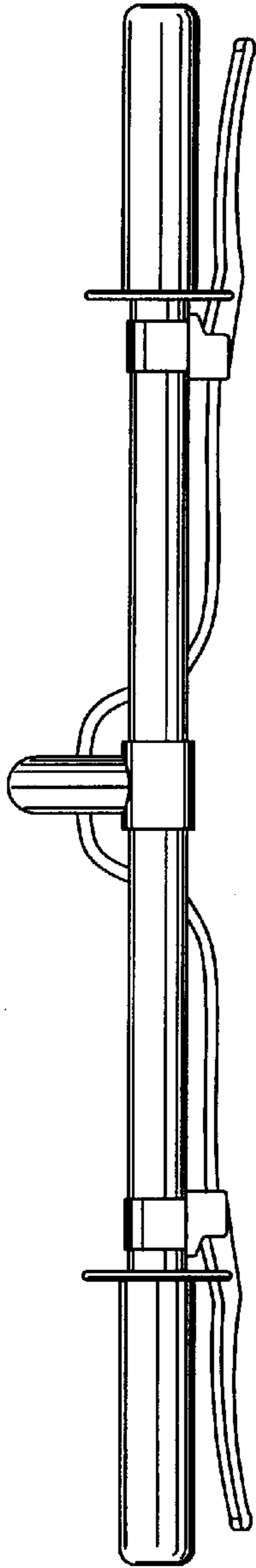


FIG. 5

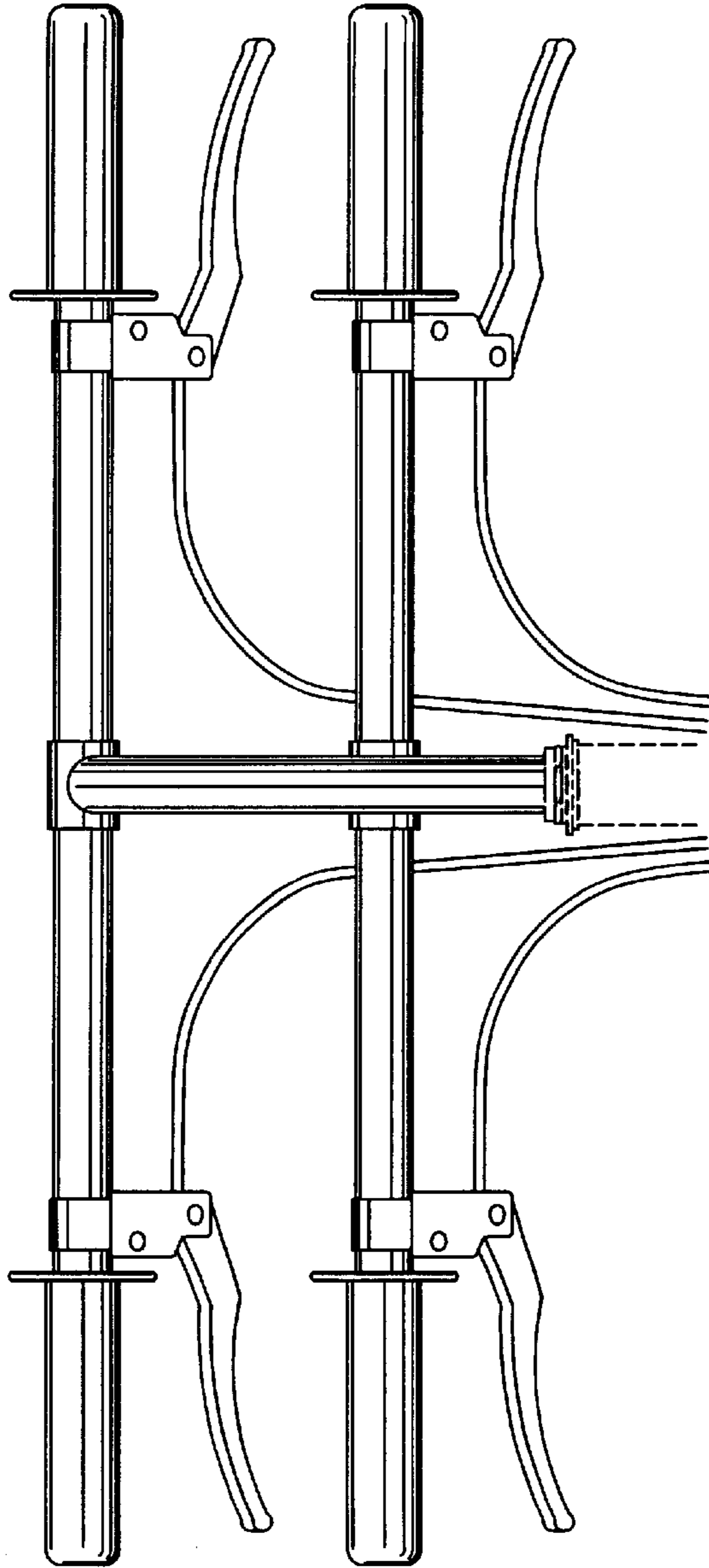


FIG. 3

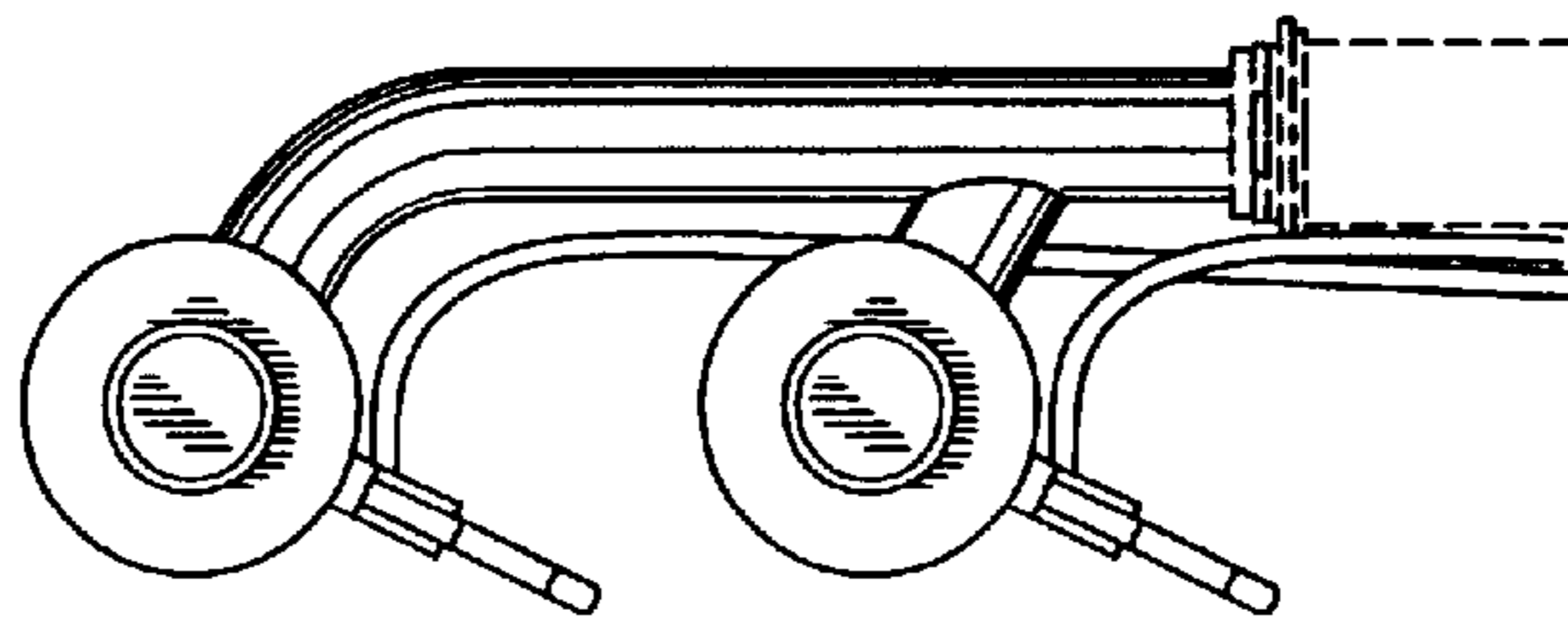


FIG. 4