



US00D483301S

(12) **United States Design Patent**
Yu et al.

(10) **Patent No.:** **US D483,301 S**

(45) **Date of Patent:** **** Dec. 9, 2003**

(54) **FOLDABLE VEHICLE**

(76) Inventors: **Shang-I Yu**, 4F, No. 12, Lane 112,
Shin-Yi Road, Taipei (TW);
Chin-Chung Yu, 4F, No. 12, Lane 112,
Shin-Yi Road, Taipei (TW)

(**) Term: **14 Years**

(21) Appl. No.: **29/165,059**

(22) Filed: **Aug. 6, 2002**

(51) **LOC (7) Cl.** **12-11**

(52) **U.S. Cl.** **D12/111**

(58) **Field of Search** **D12/110, 111;**
280/274-278

(56) **References Cited**

U.S. PATENT DOCUMENTS

D342,926 S * 1/1994 Russell D12/111
6,354,618 B1 * 3/2002 Liao 280/287

* cited by examiner

Primary Examiner—Alan P. Douglas

Assistant Examiner—Linda Brooks

(74) *Attorney, Agent, or Firm*—Shoemaker and Mattare

(57) **CLAIM**

The ornamental design for a foldable vehicle, as shown and described.

DESCRIPTION

FIG. 1 is a front elevational view of the foldable vehicle, showing my new design;

FIG. 2 is a rear elevational view thereof;

FIG. 3 is a left side elevation thereof;

FIG. 4 is a right side elevation thereof;

FIG. 5 is a top plan view thereof;

FIG. 6 is a bottom view thereof;

FIG. 7 is a perspective view thereof;

FIG. 8 is a right side view thereof, partially folded; and,

FIG. 9 is a right side view thereof, fully folded.

1 Claim, 7 Drawing Sheets

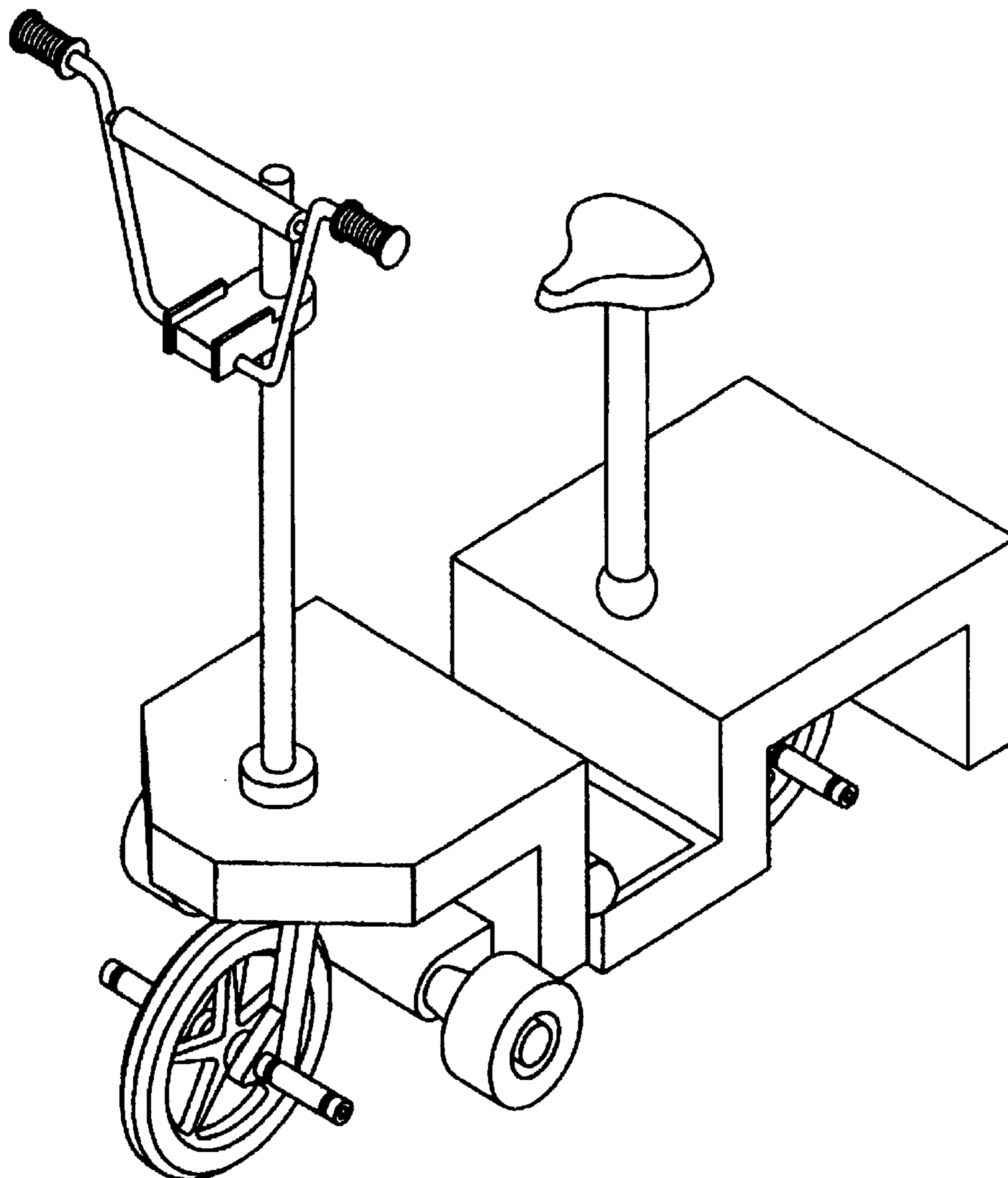


FIG. 1

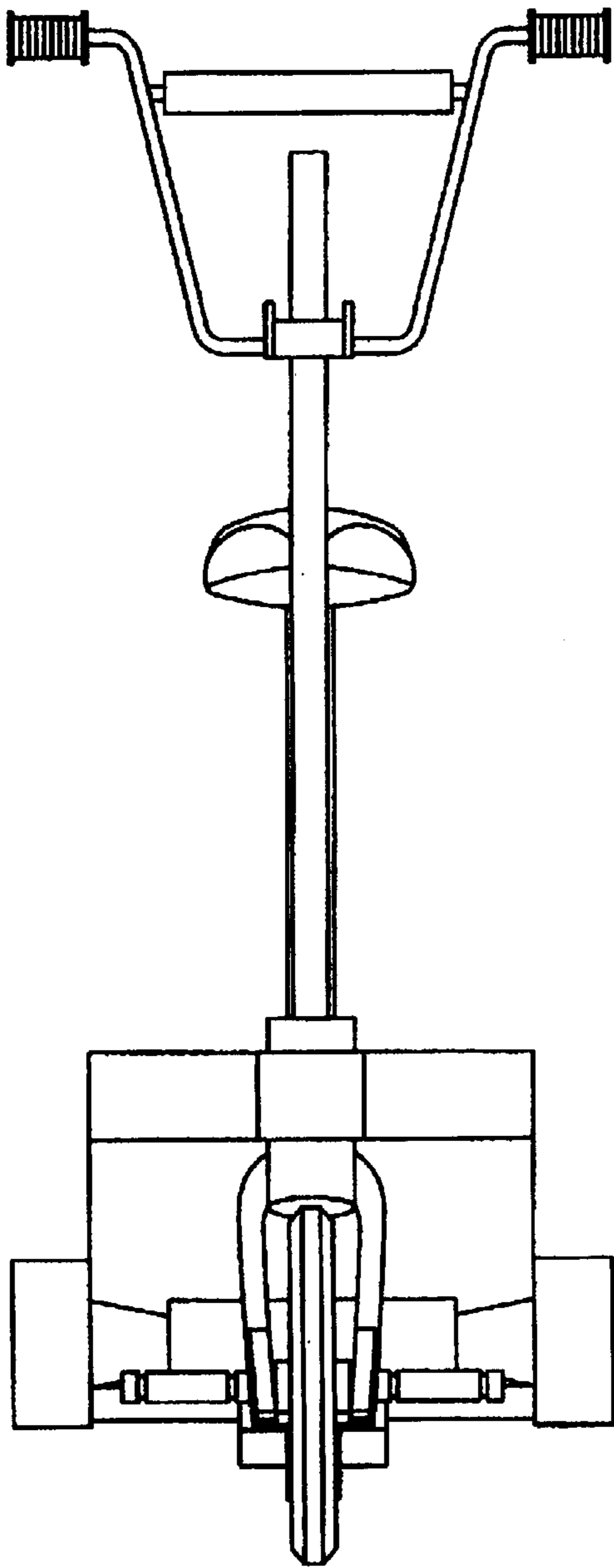


FIG. 2

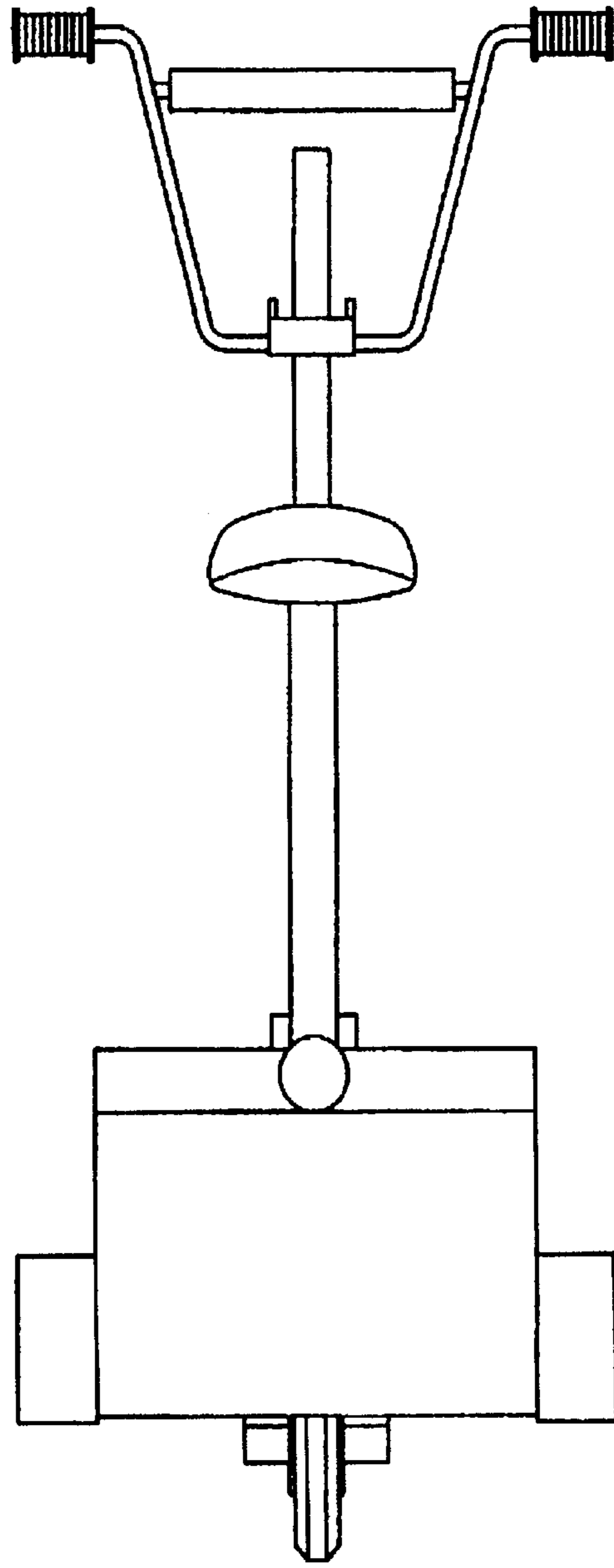


FIG. 3

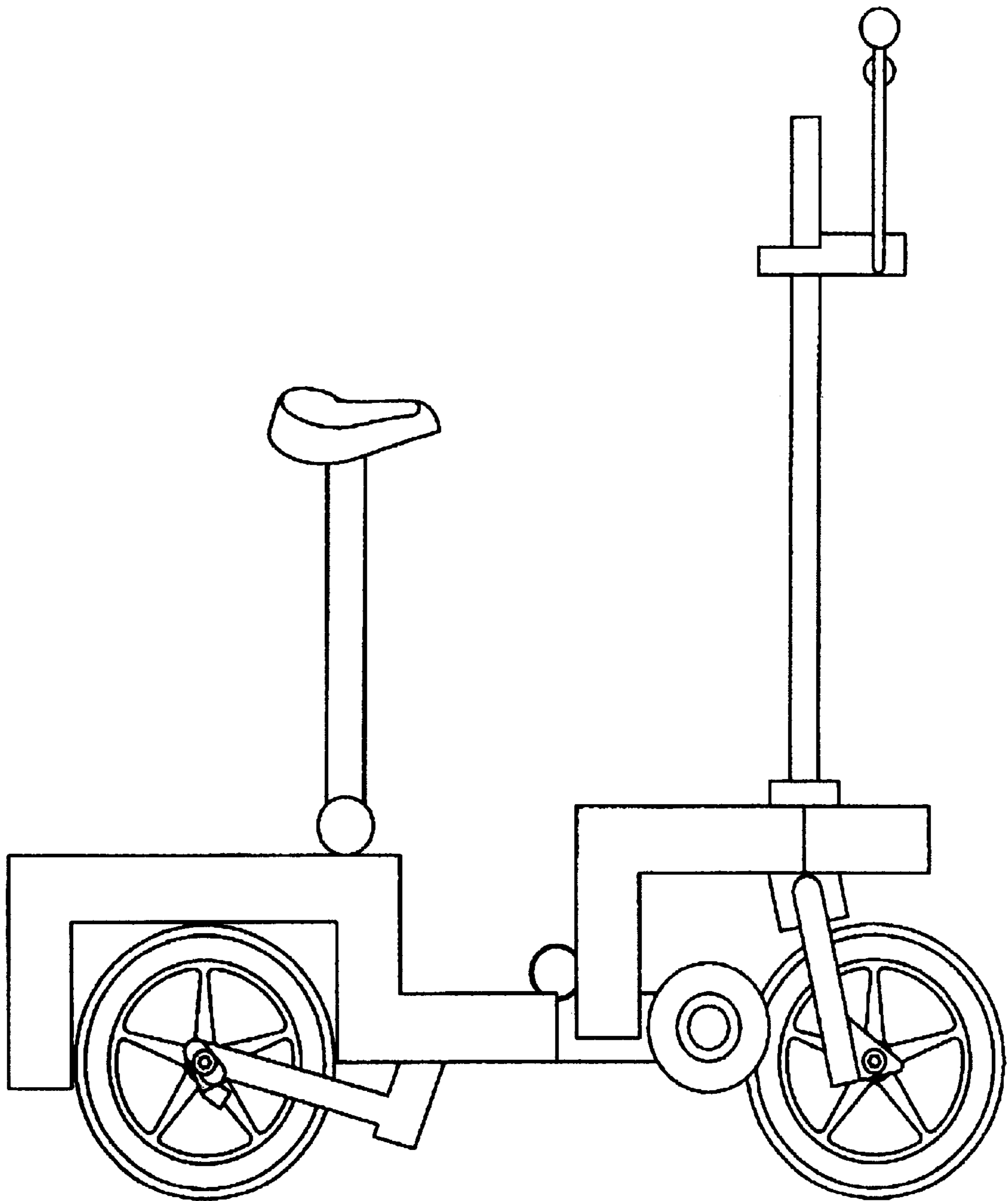


FIG. 4

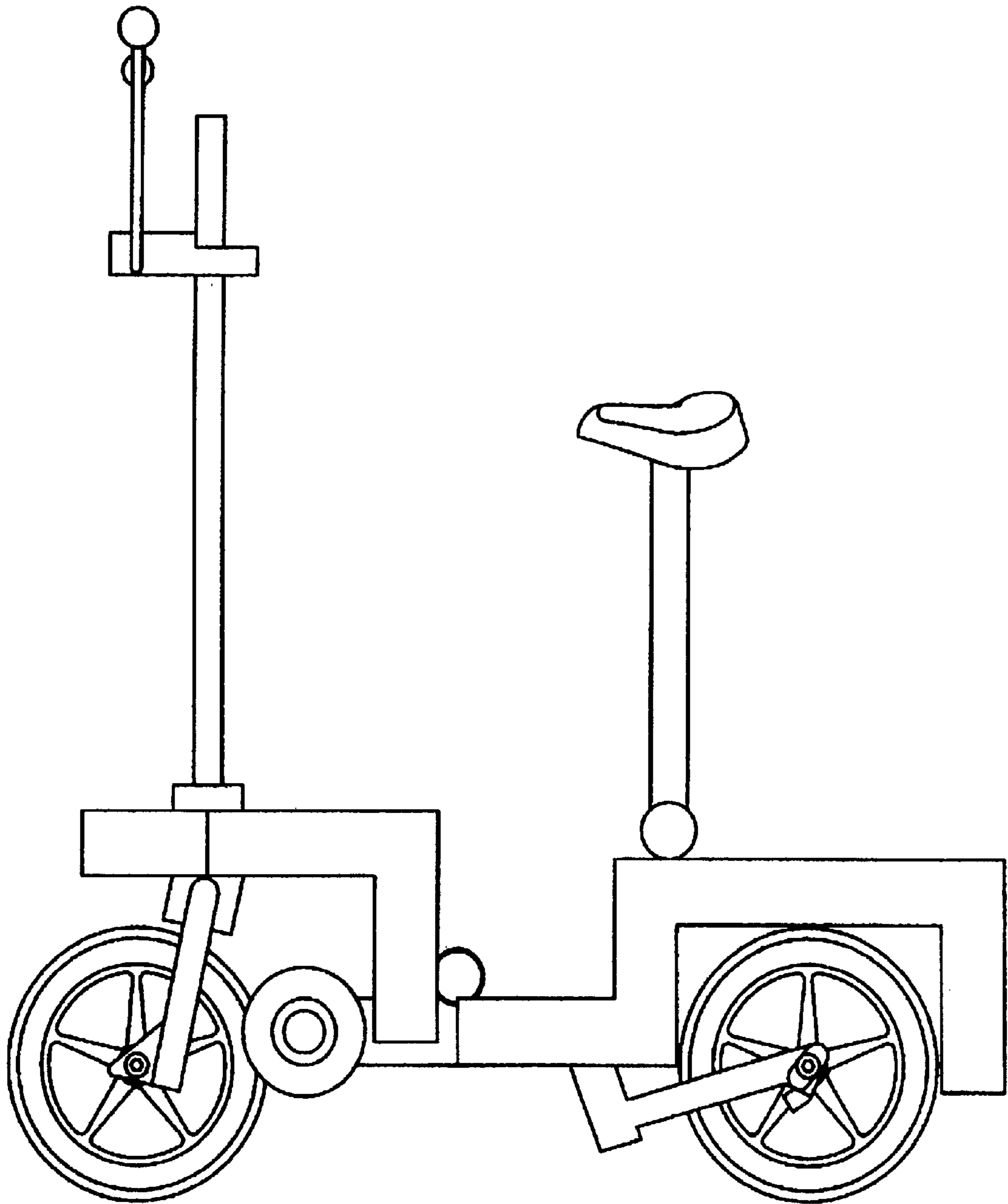


FIG. 5

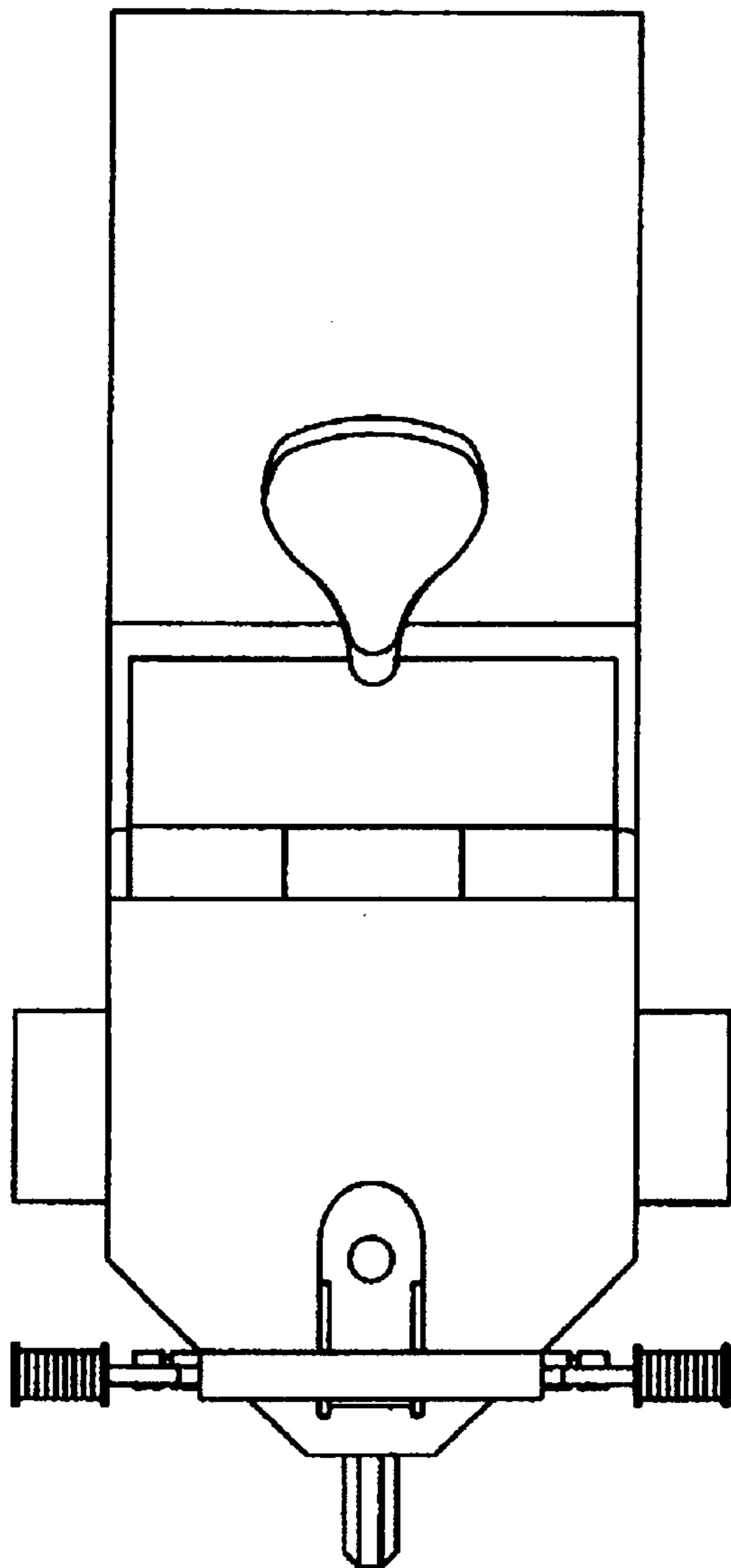


FIG. 6

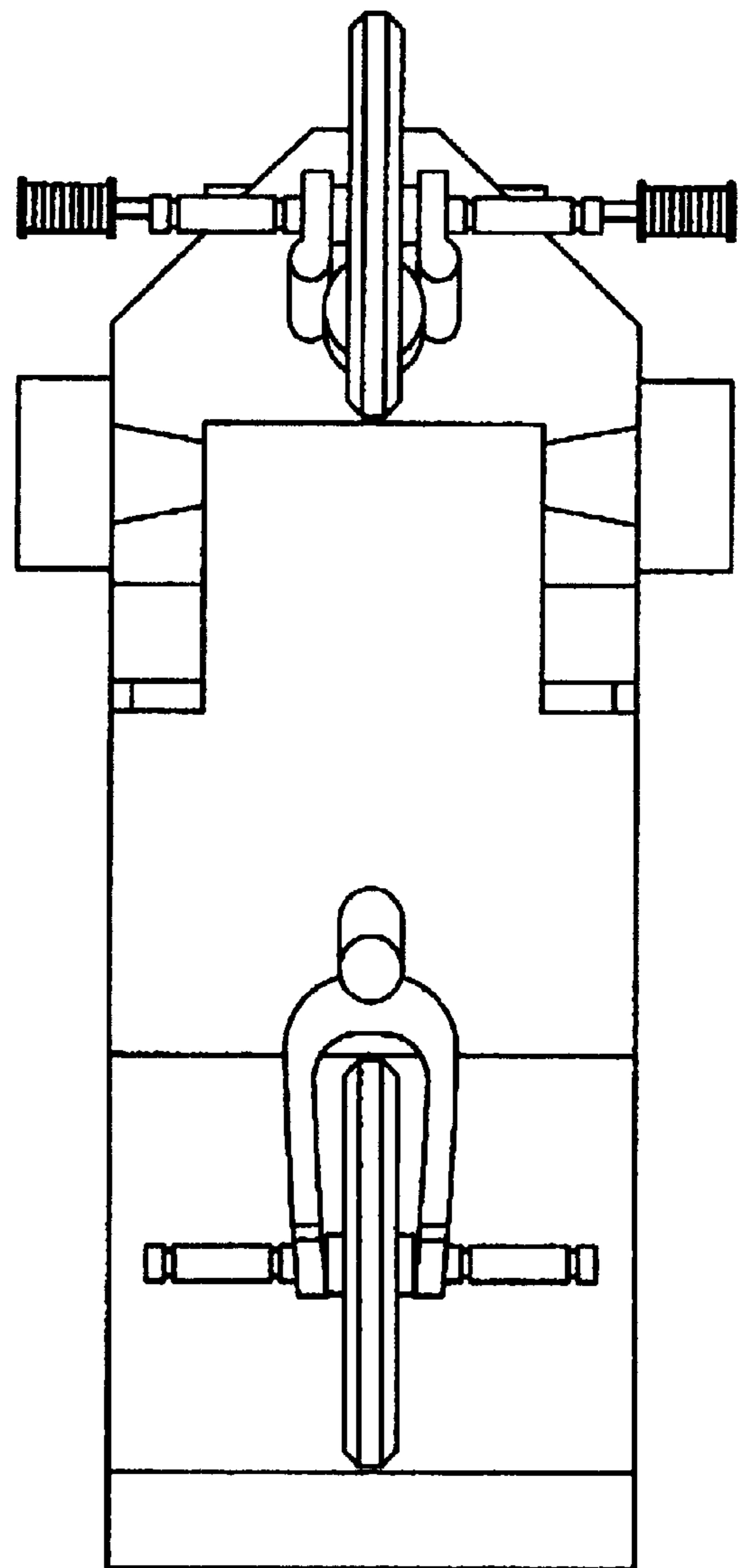


FIG. 7

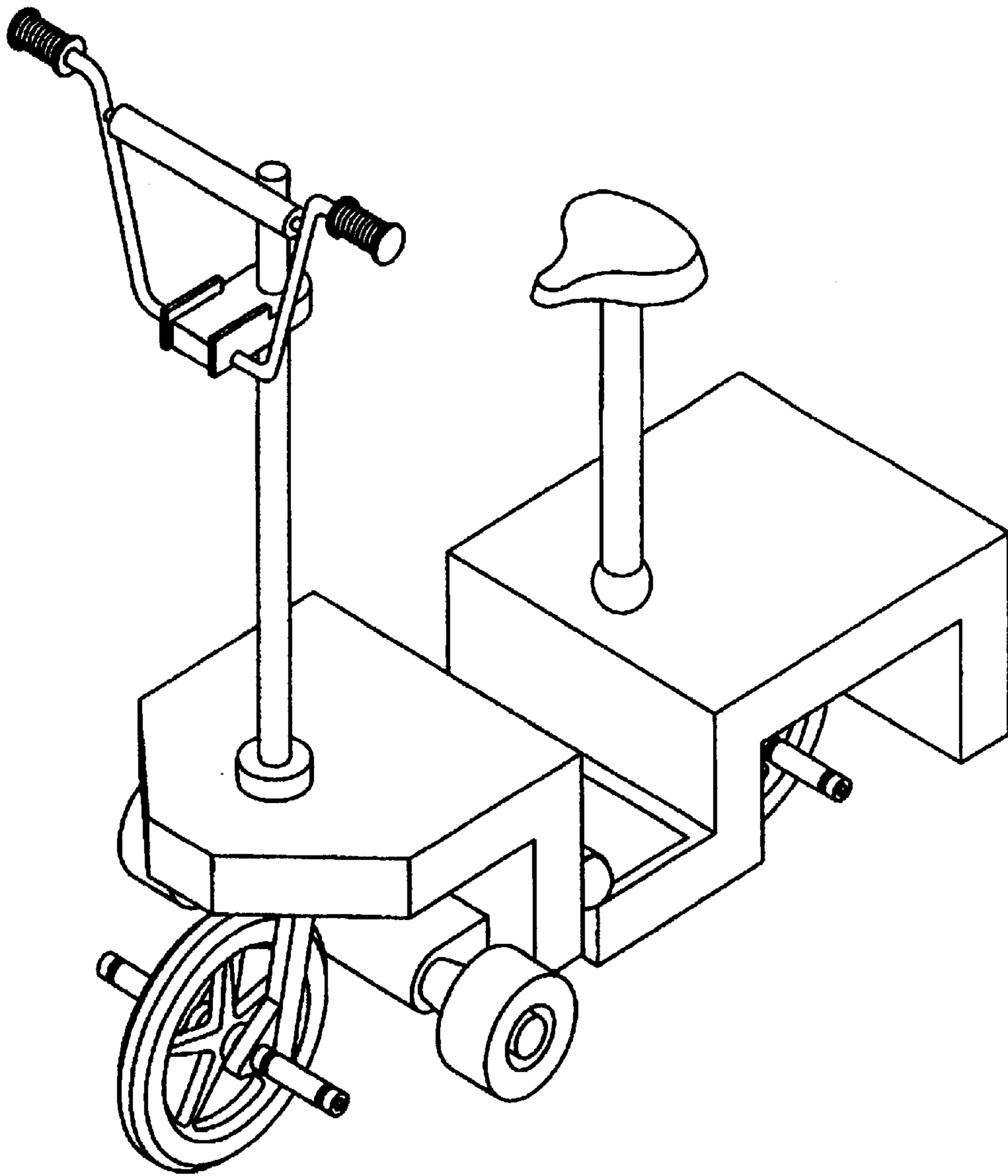


FIG. 8

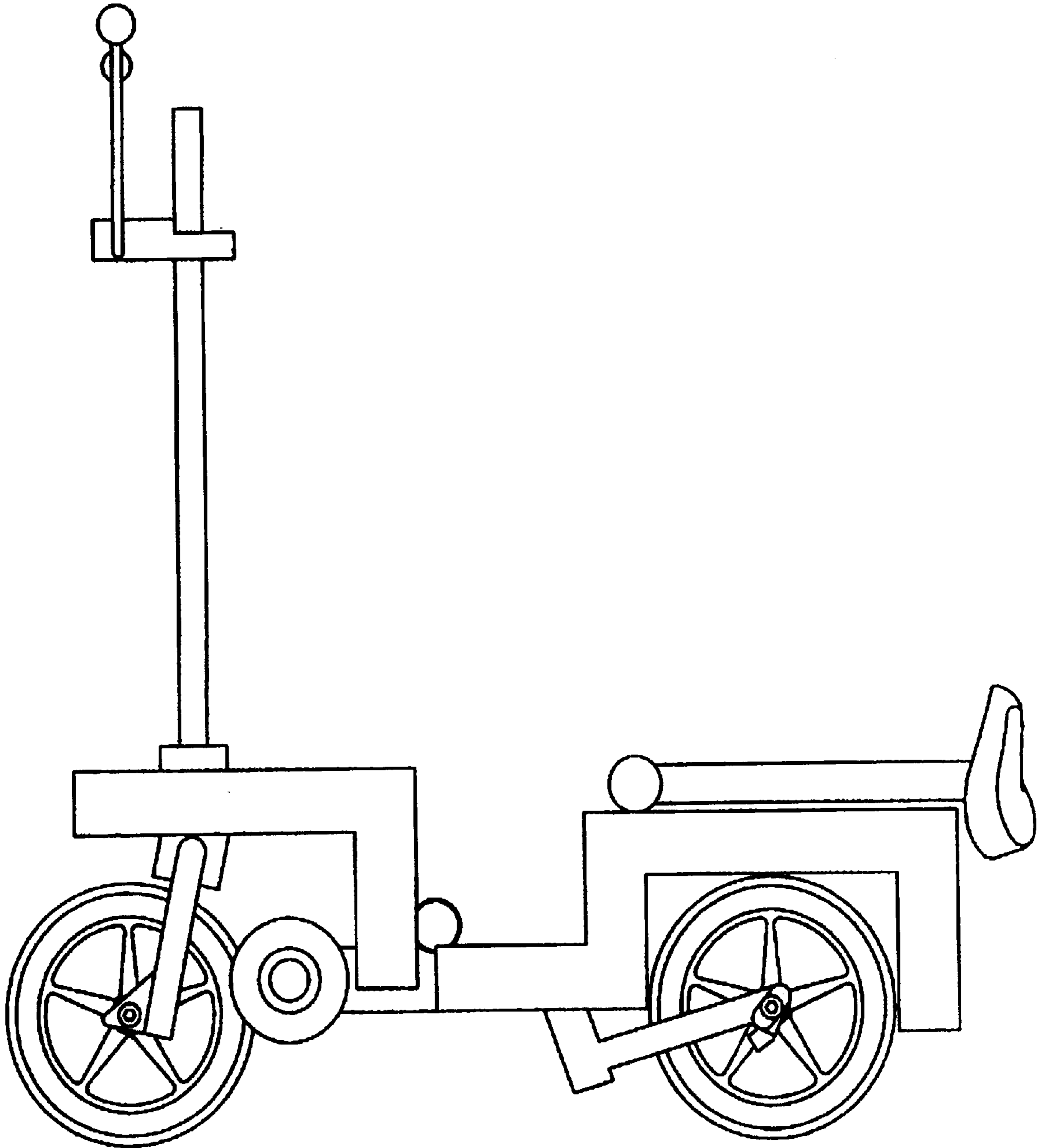


FIG. 9

