



US00D483299S

(12) **United States Design Patent**
McCafferty et al.

(10) **Patent No.:** **US D483,299 S**

(45) **Date of Patent:** **** Dec. 9, 2003**

(54) **TRAILER MOUNTED COILED TUBING RIG**

(75) Inventors: **Terry L. McCafferty**, Sugar Land, TX (US); **Joseph K. Flowers**, Houston, TX (US); **Matthew E. Wilson**, Eureka, KS (US)

(73) Assignee: **Schlumberger Technology Corporation**

(**) Term: **14 Years**

(21) Appl. No.: **29/115,060**

(22) Filed: **Dec. 7, 1999**

(51) **LOC (7) Cl.** **12-10**

(52) **U.S. Cl.** **D12/101**

(58) **Field of Search** D12/101; 280/43.23, 280/43.18, 788, 789; 414/474, 476, 484, 482, 485, 494

(56) **References Cited**

U.S. PATENT DOCUMENTS

D288,912 S	*	3/1987	Lucas	D12/101
D312,990 S	*	12/1990	Gerdes	D12/101
5,887,880 A	*	3/1999	Mullican et al.	240/43.18
D409,952 S	*	5/1999	Crathorne et al.	D12/101

* cited by examiner

Primary Examiner—Melody N. Brown

(74) *Attorney, Agent, or Firm*—Catherine Menes; Brigitte Jeffery

(57) **CLAIM**

The ornamental design for a trailer mounted coiled tubing rig, as shown and described.

DESCRIPTION

FIG. 1 is a left side elevational view of a trailer mounted coiled tubing rig showing our new design, the broken lines are shown for illustrative purposes only and form no part of the claimed design;

FIG. 2 is a side elevational view of the left side of the trailer mounted coiled tubing rig shown in FIG. 1;

FIG. 3 is a rear elevational view of the trailer mounted coiled tubing rig shown in FIGS. 1 and 2;

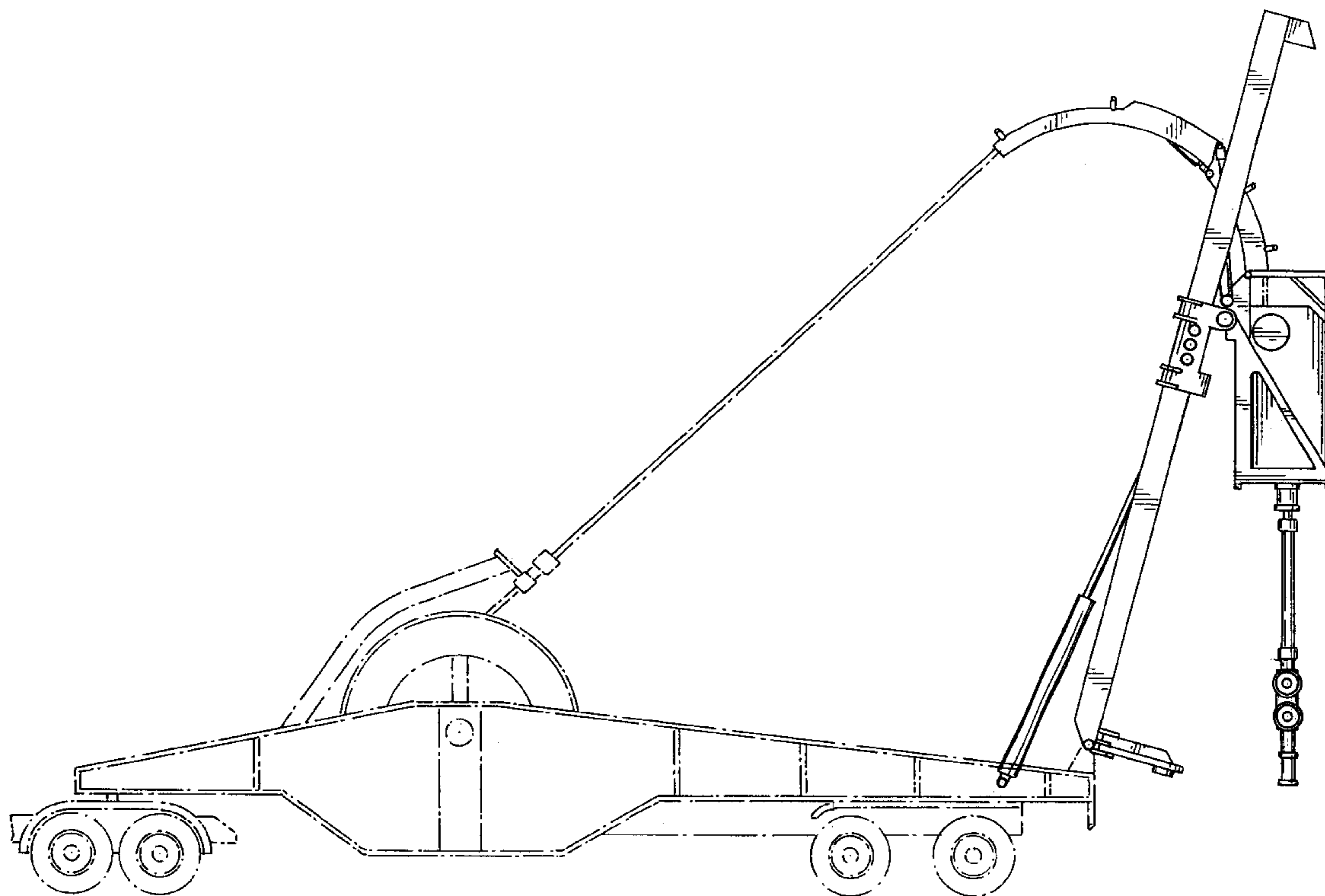
FIG. 4 is a rear elevational view of the trailer mounted coiled tubing rig shown in FIGS. 1-3;

FIG. 5 is a top plan view of the trailer mounted coiled tubing rig shown in FIGS. 1-4;

FIG. 6 is a bottom plan view of the trailer mounted coiled tubing rig shown in FIG. 5; and,

FIG. 7 is a side elevational view of the trailer mounted coiled tubing rig shown in a collapsed stored position for over the road transport.

1 Claim, 5 Drawing Sheets



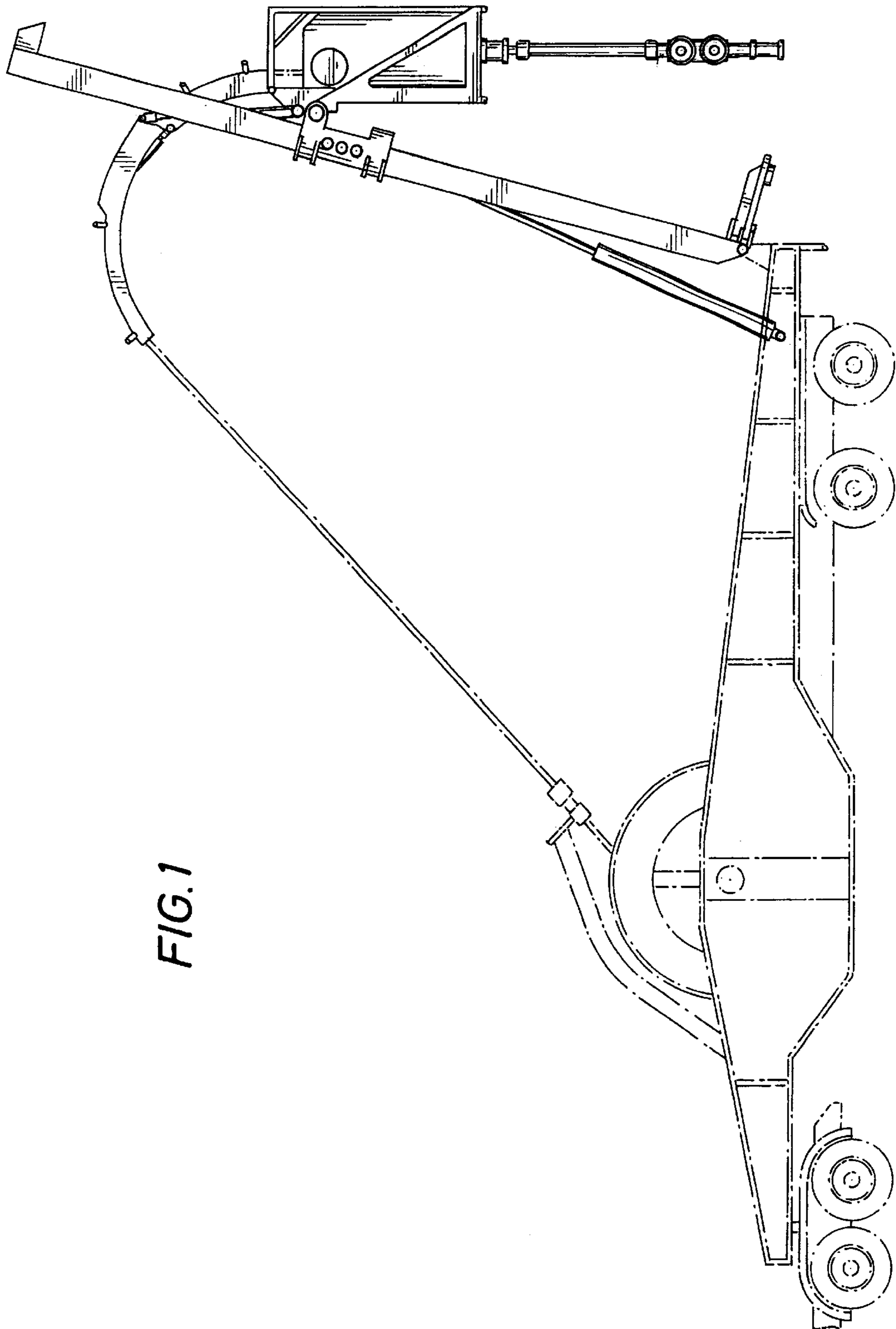


FIG. 1

FIG. 2

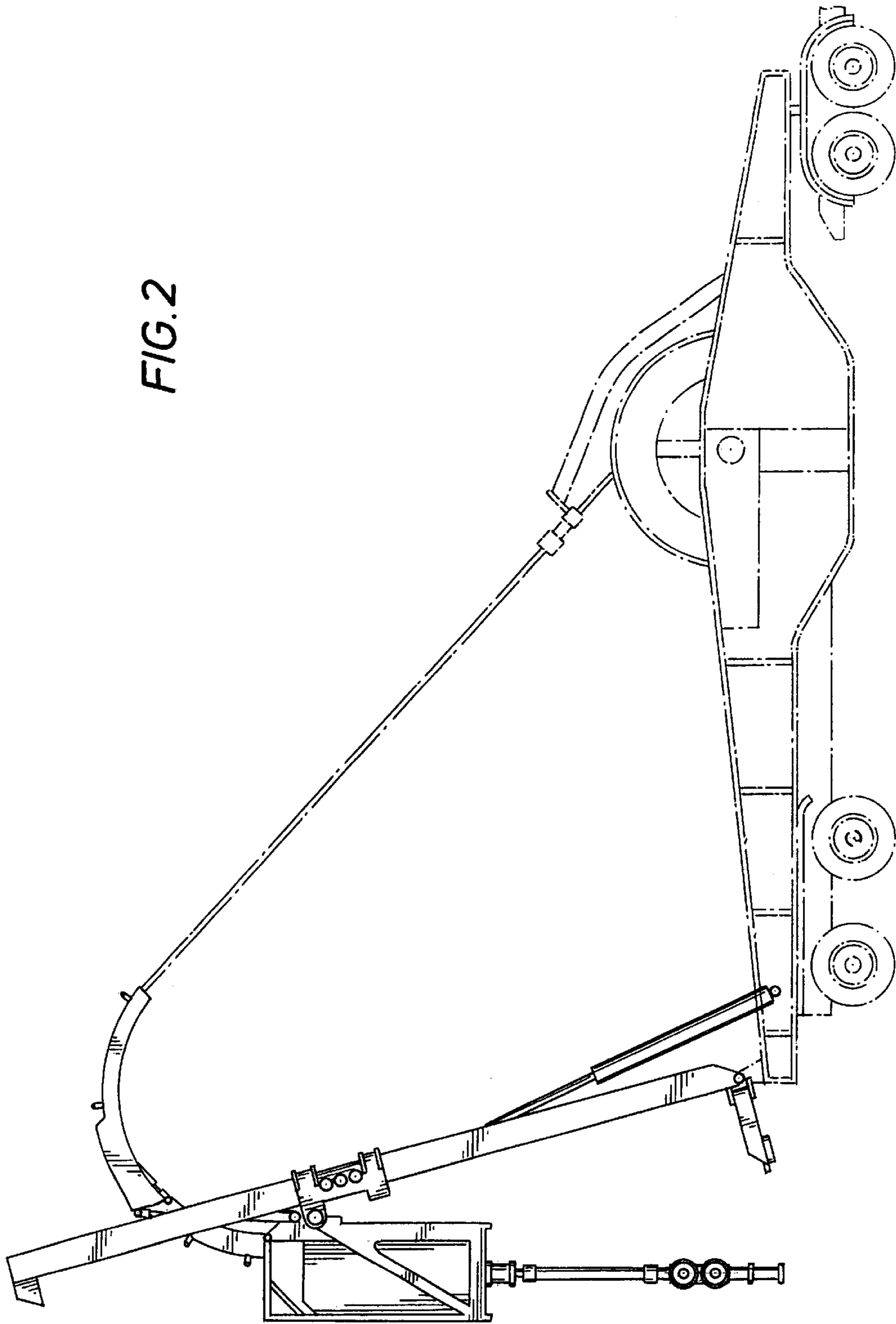


FIG. 3

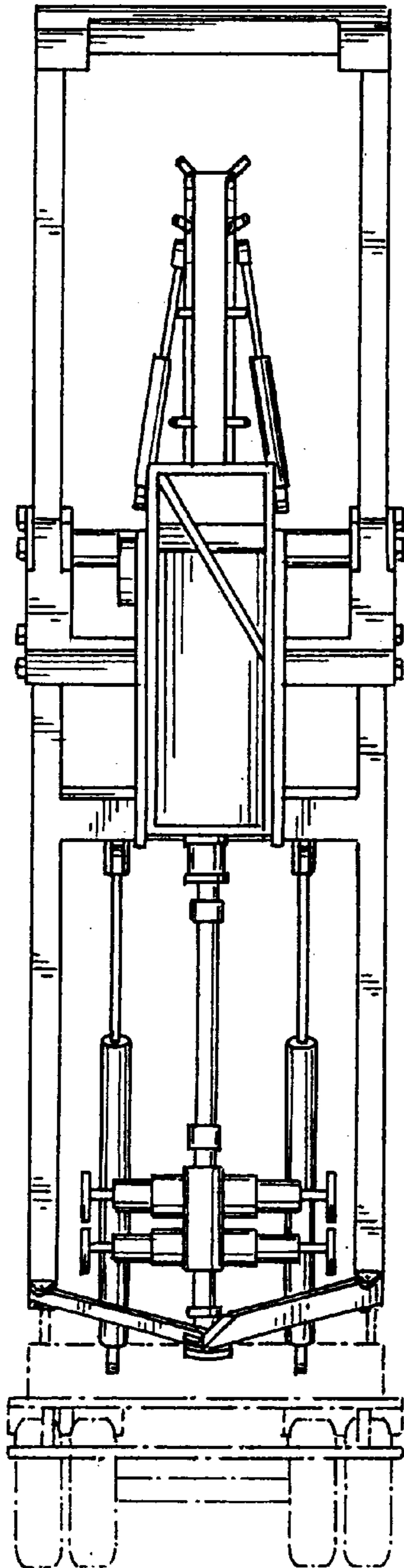


FIG. 4

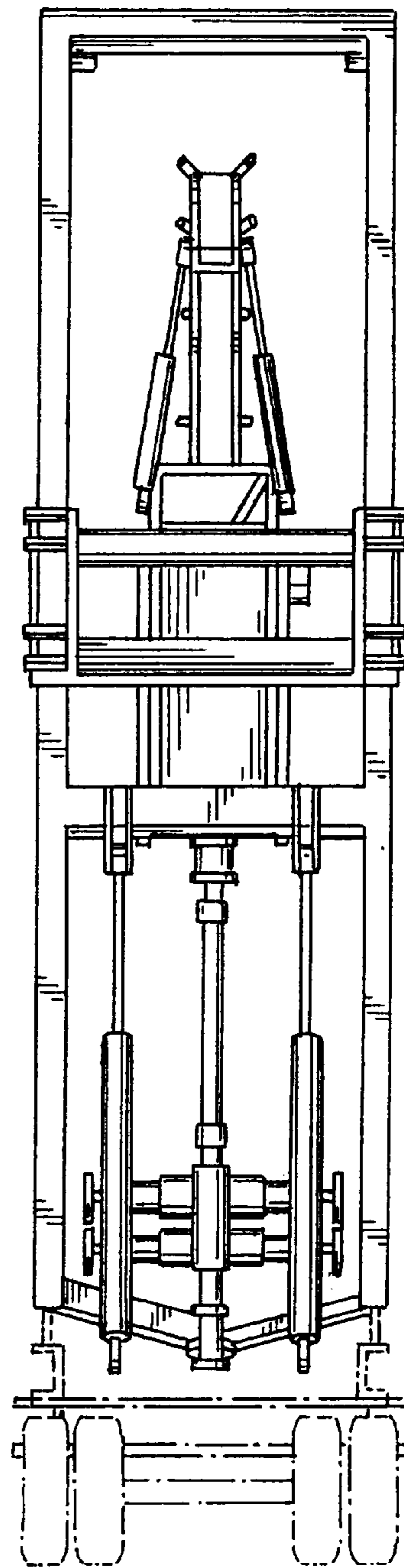


FIG. 5

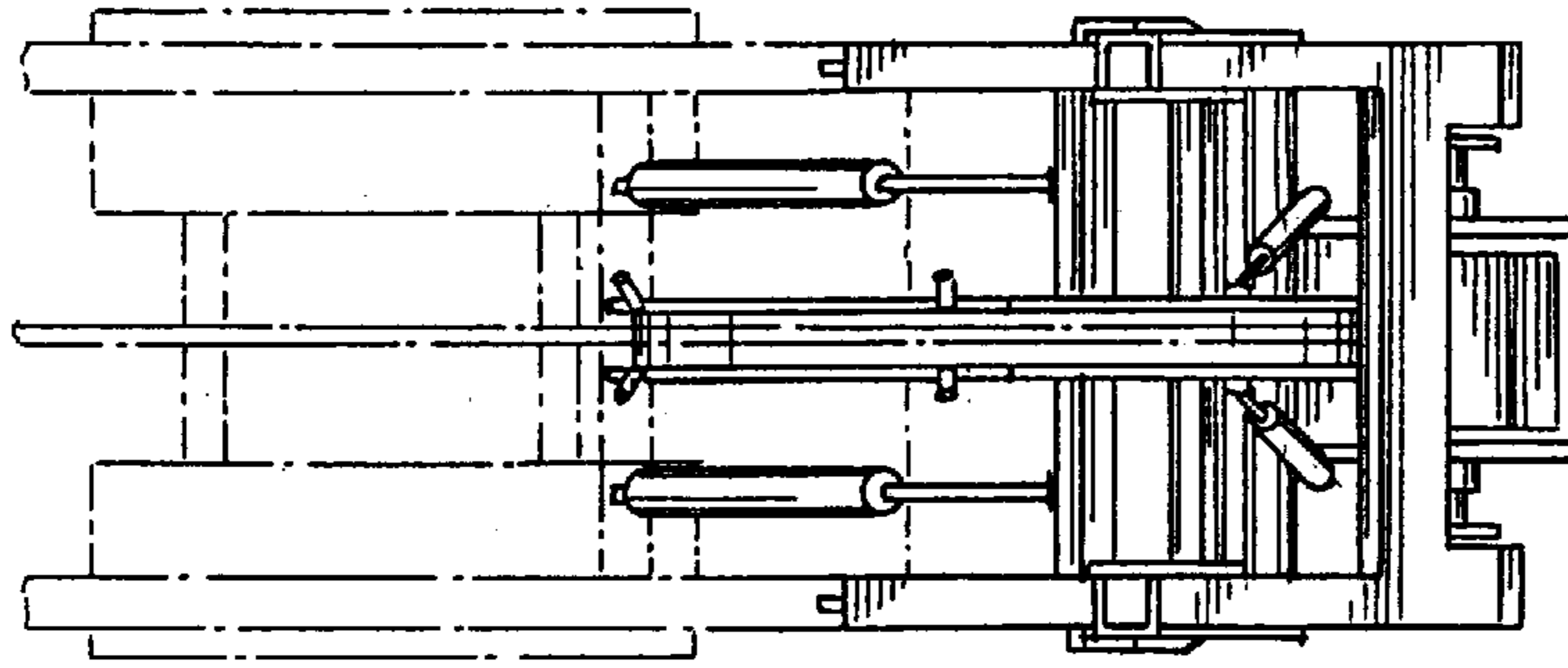
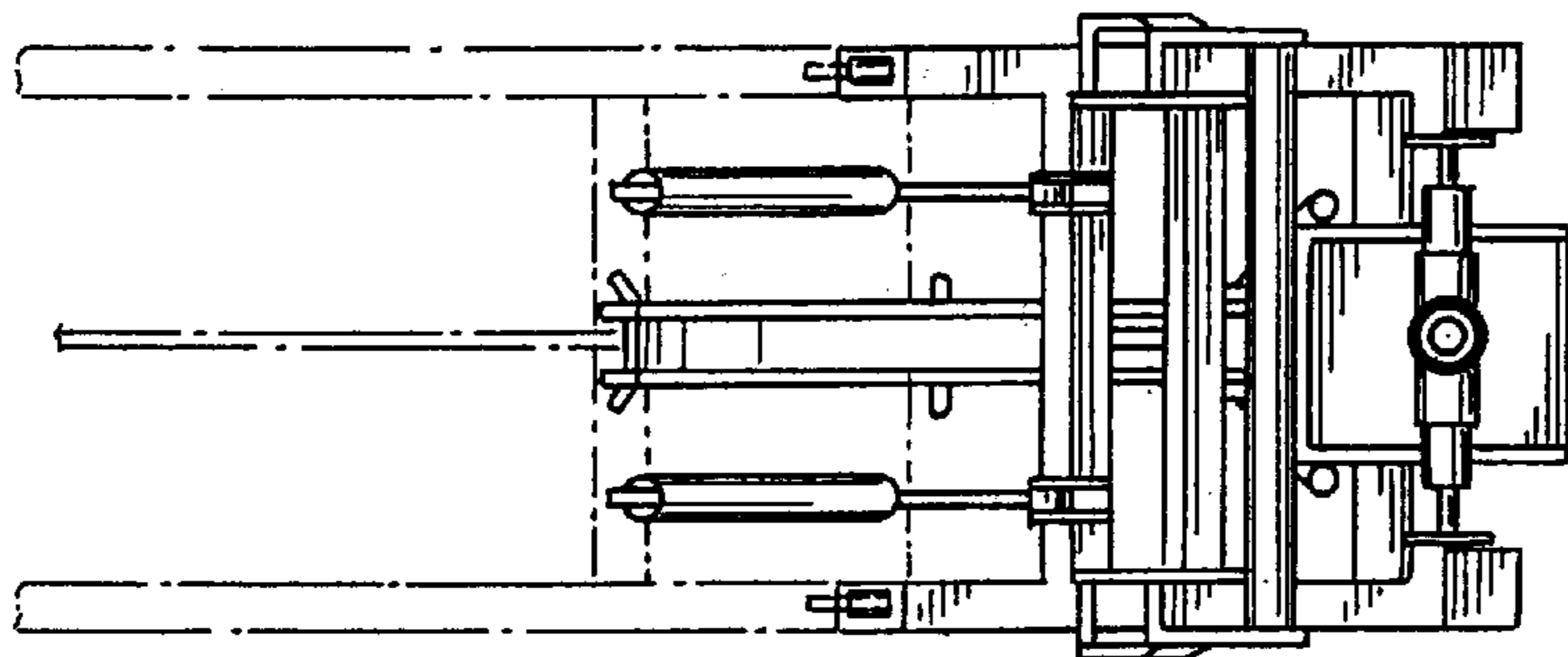


FIG. 6



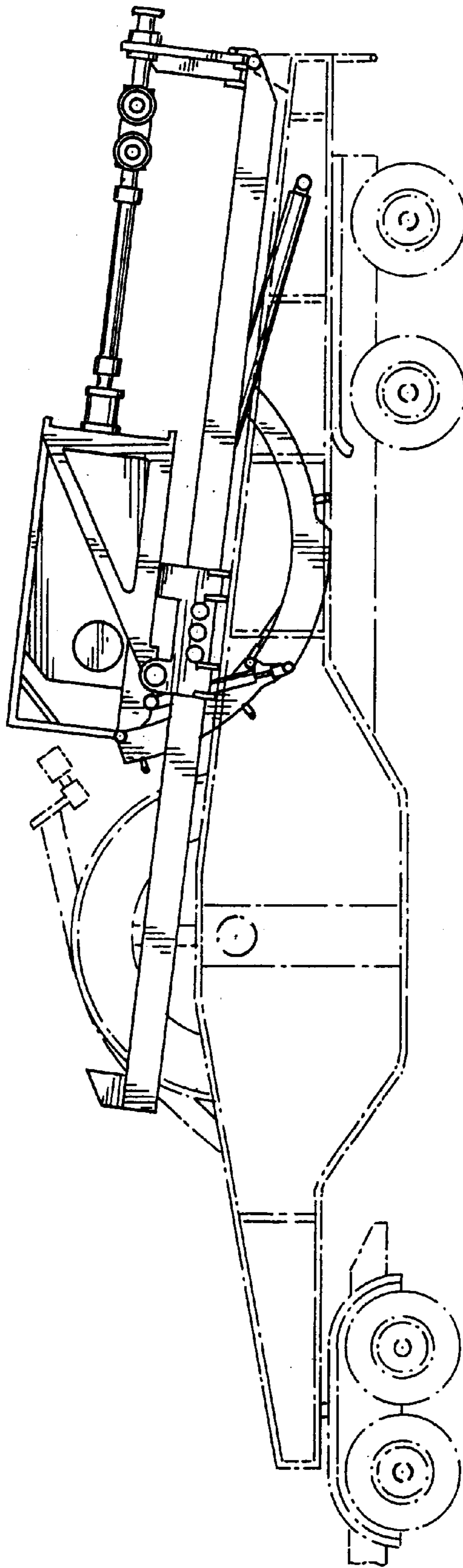


FIG. 7