



US00D483297S

(12) **United States Design Patent**  
**Albaisa**

(10) **Patent No.:** **US D483,297 S**

(45) **Date of Patent:** **\*\* Dec. 9, 2003**

(54) **AUTOMOBILE**

D440,185 S \* 4/2001 Desmond et al. .... D12/91

(75) Inventor: **Alfonso Albaisa**, San Diego, CA (US)

\* cited by examiner

(73) Assignee: **Nissan Motor Co., Ltd.**, Yokohama (JP)

*Primary Examiner*—Melody N. Brown  
(74) *Attorney, Agent, or Firm*—Foley & Lardner

(\*\*) Term: **14 Years**

(57) **CLAIM**

(21) Appl. No.: **29/173,321**

The ornamental design for an automobile, as shown and described.

(22) Filed: **Dec. 27, 2002**

**DESCRIPTION**

(51) **LOC (7) Cl.** ..... **12-08**

(52) **U.S. Cl.** ..... **D12/91**

(58) **Field of Search** ..... D12/90-92, 86;  
296/185

FIG. 1 is a front perspective of the automobile;  
FIG. 2 is a rear perspective thereof;  
FIG. 3 is a right side view thereof;  
FIG. 4 is a left side view thereof;  
FIG. 5 is a front view thereof;  
FIG. 6 is a rear view thereof; and,  
FIG. 7 is a top plan view thereof.

(56) **References Cited**

**U.S. PATENT DOCUMENTS**

D395,619 S \* 6/1998 Cho ..... D12/91

D432,950 S \* 10/2000 Sugita ..... D12/91

**1 Claim, 3 Drawing Sheets**

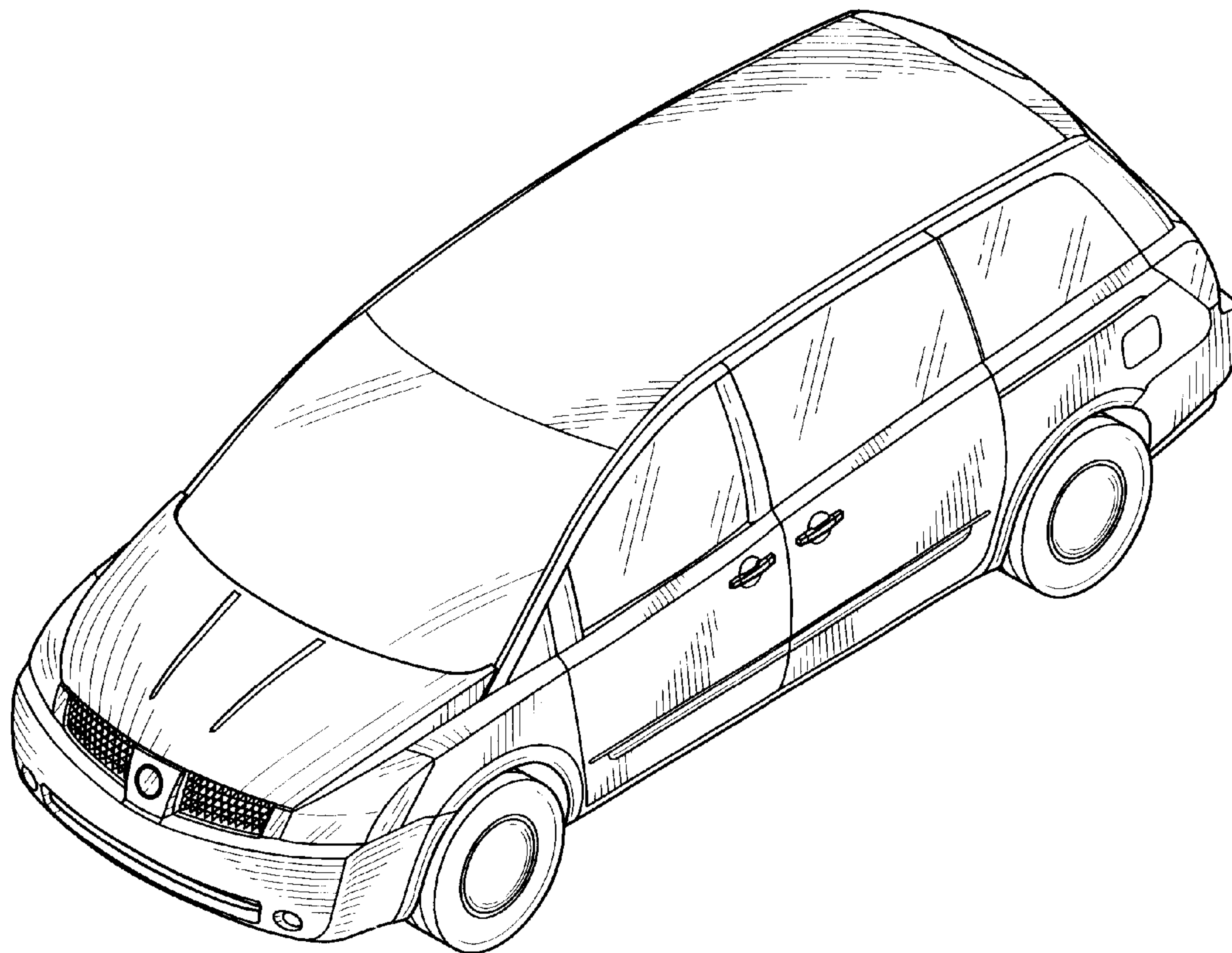


FIG. 1

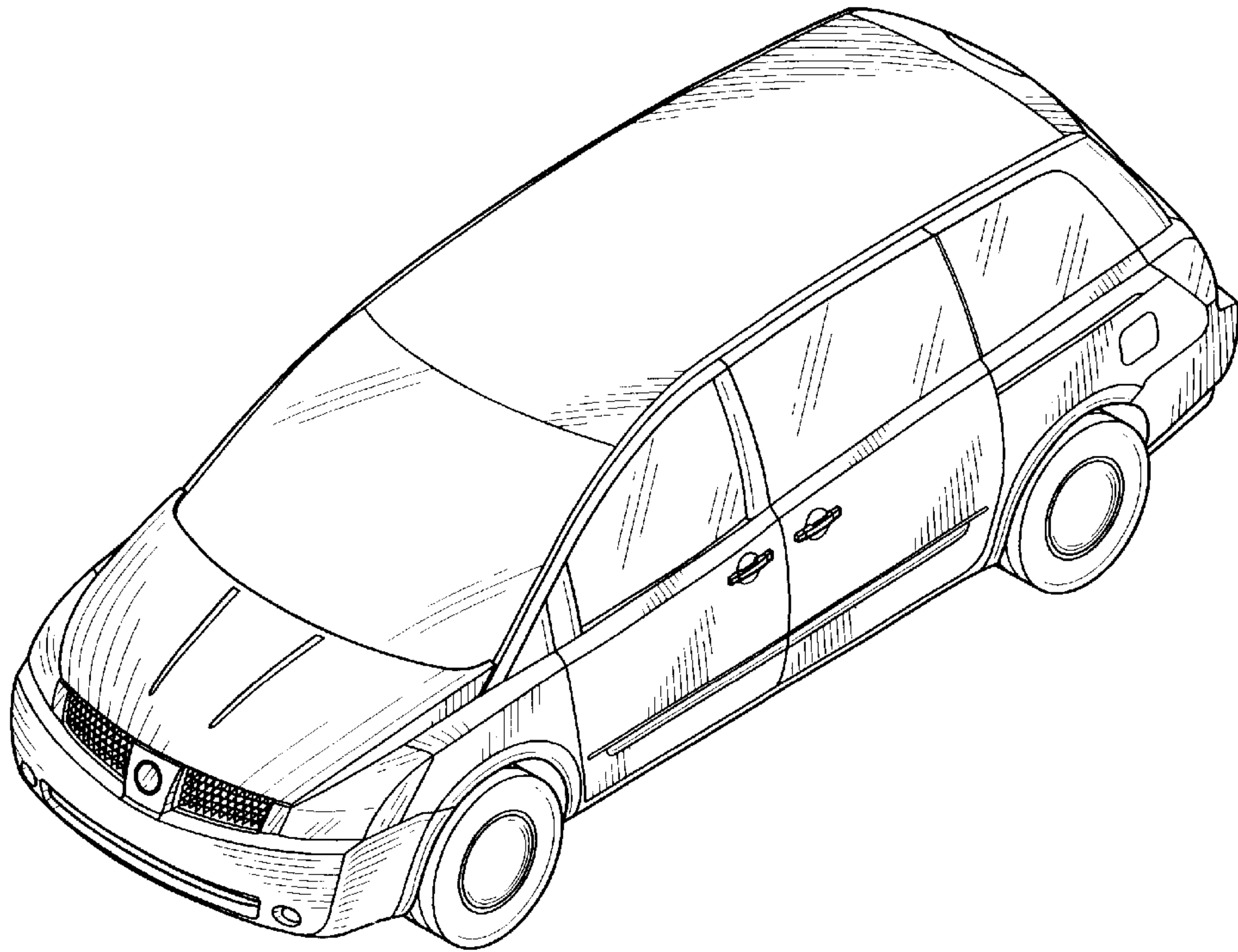


FIG. 2

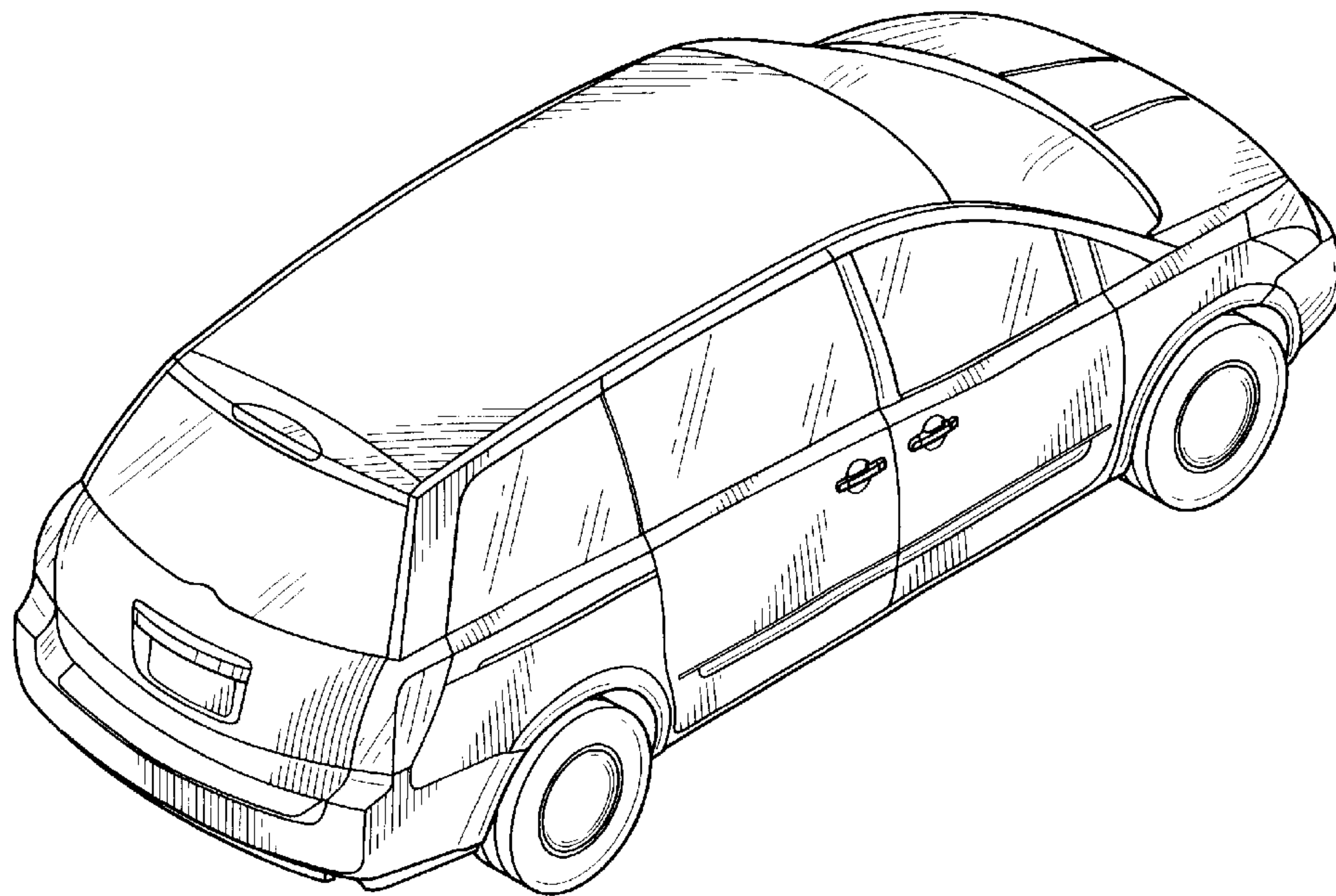


FIG. 3

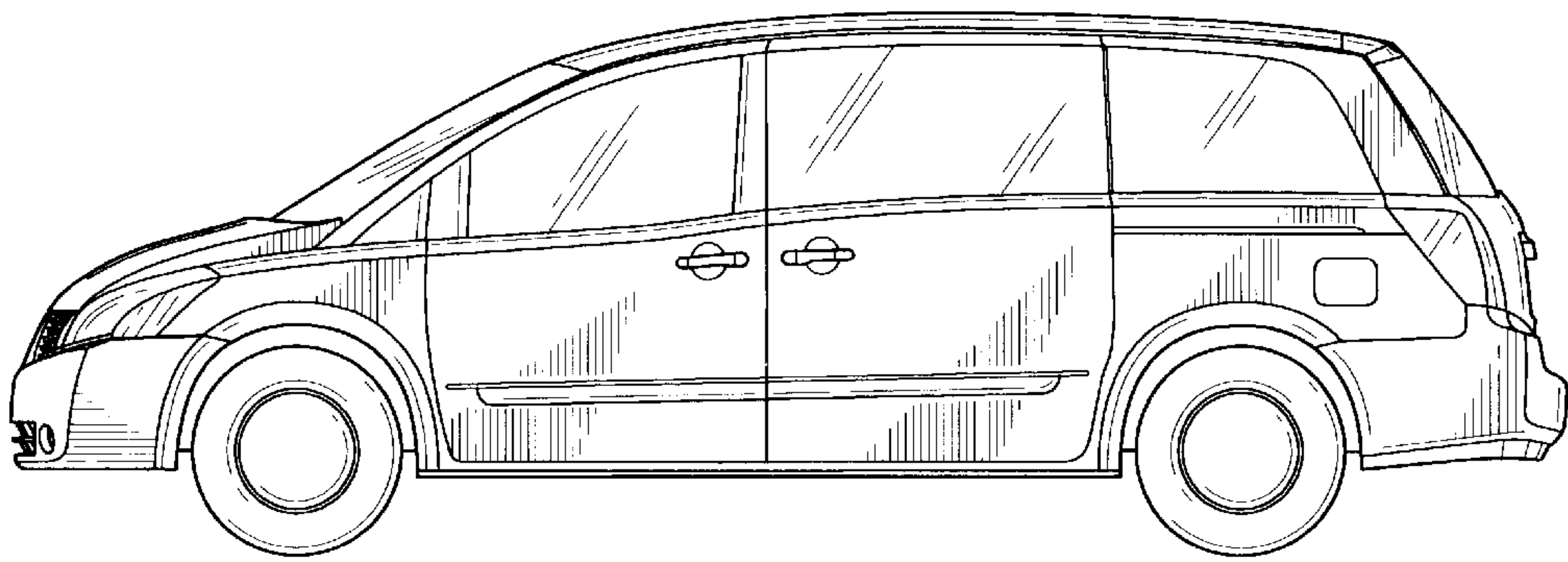


FIG. 4

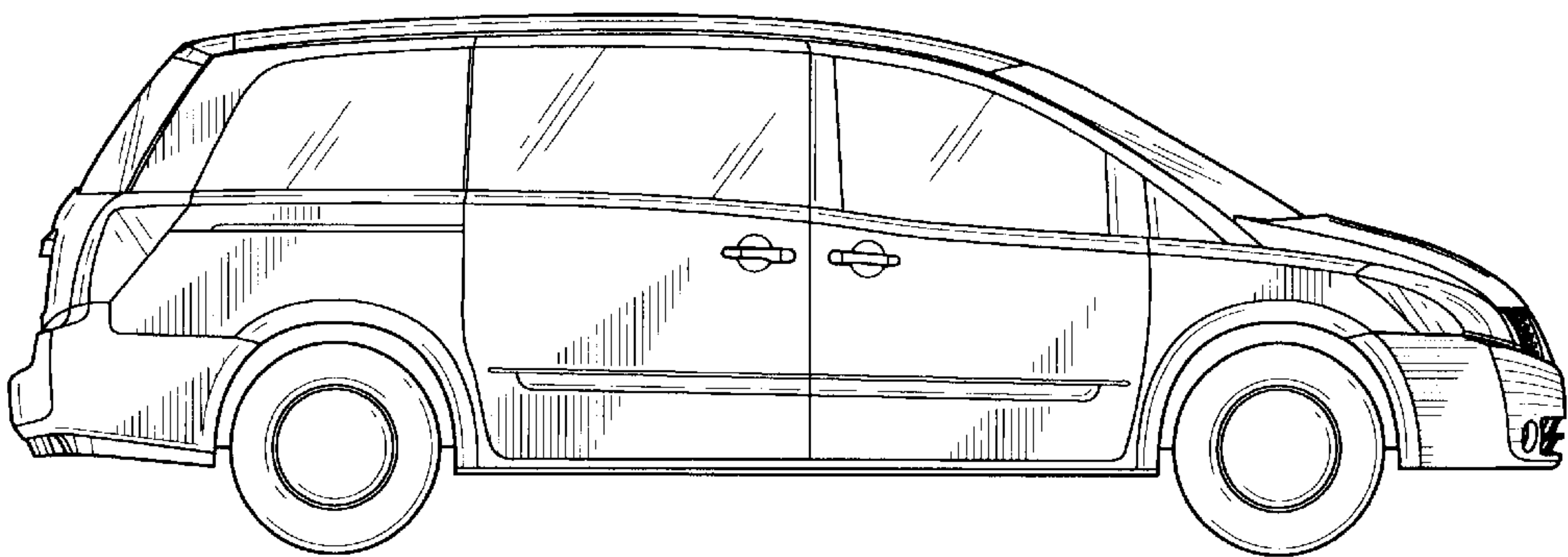




FIG. 5

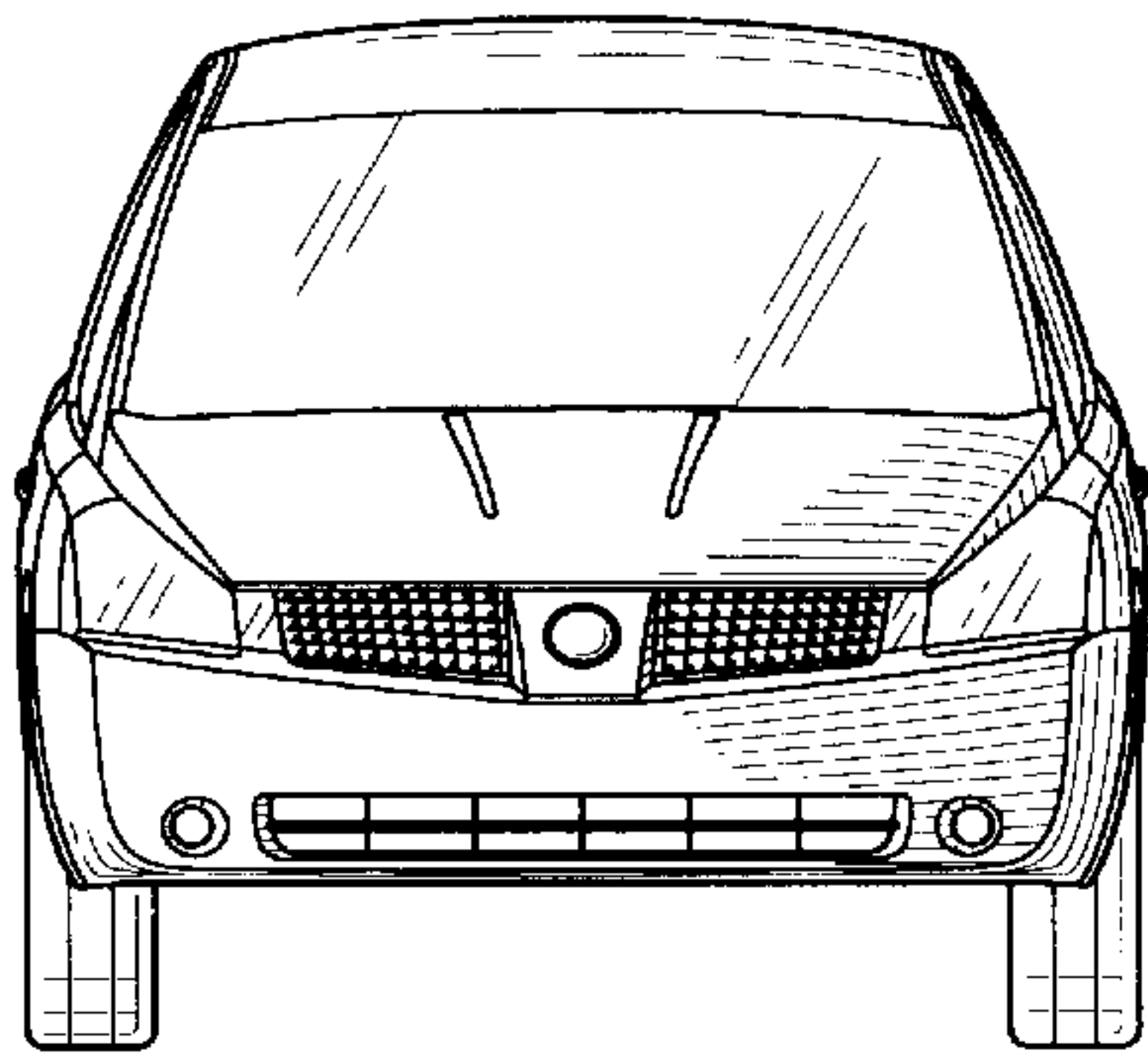


FIG. 6

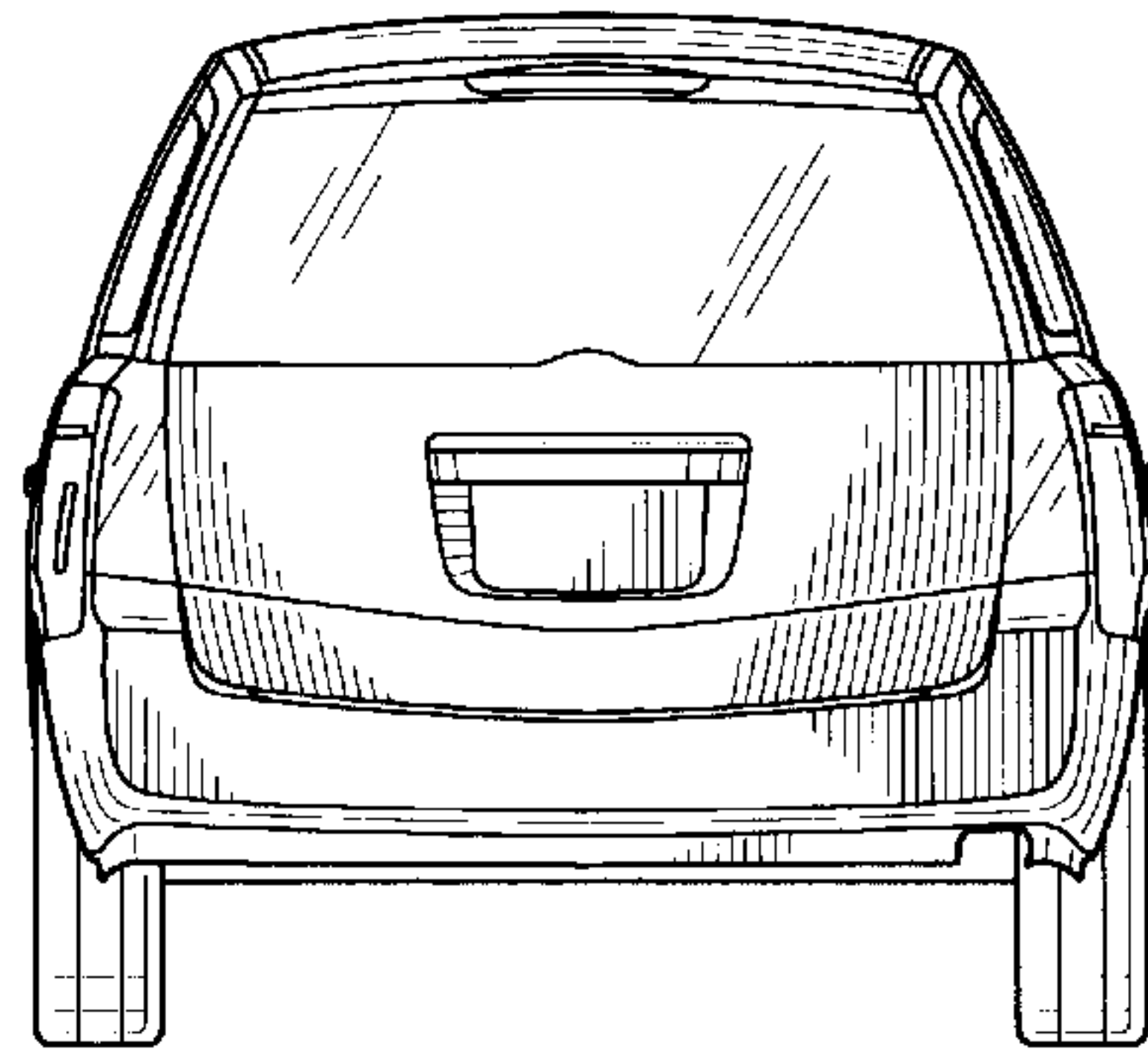


FIG. 7

