



US00D483295S

(12) **United States Design Patent**
Ritter

(10) **Patent No.:** **US D483,295 S**

(45) **Date of Patent:** **** Dec. 9, 2003**

(54) **ZIPPER PULL**

(75) Inventor: **Gary Ritter**, St. Louis County, MO
(US)

(73) Assignee: **TRG Accessories, LLC**, St. Louis, MO
(US)

(**) Term: **14 Years**

(21) Appl. No.: **29/171,064**

(22) Filed: **Nov. 15, 2002**

(51) **LOC (7) Cl.** **02-07**

(52) **U.S. Cl.** **D11/221**

(58) **Field of Search** D11/200, 221;
24/415-417, 419, 421, 427-431, 381, 385,
387

(56) **References Cited**

U.S. PATENT DOCUMENTS

4,790,050 A	*	12/1988	Ishii	24/429
4,823,447 A	*	4/1989	Akashi	24/429
D303,361 S	*	9/1989	Mimami	D11/221
D305,997 S	*	2/1990	Harvey et al.	D11/221
D320,577 S	*	10/1991	Terada et al.	D11/221
D324,663 S	*	3/1992	Ebata	D11/221

D371,326 S	*	7/1996	Ikehara	D11/221
5,690,444 A	*	11/1997	Yuuki et al.	403/268
D395,693 S	*	6/1998	Yuki	D11/221
5,878,467 A	*	3/1999	Yokota	24/429
D425,305 S	*	5/2000	Ferragamo	D3/318
D435,485 S	*	12/2000	Odgard	D11/221
D438,491 S	*	3/2001	Odgard	D11/221
D445,570 S	*	7/2001	Ferragamo	D3/318

* cited by examiner

Primary Examiner—Ralf Seifert

(74) *Attorney, Agent, or Firm*—Lewis, Rice & Fingersh,
LC

(57) **CLAIM**

The ornamental design for a zipper pull, as shown and described.

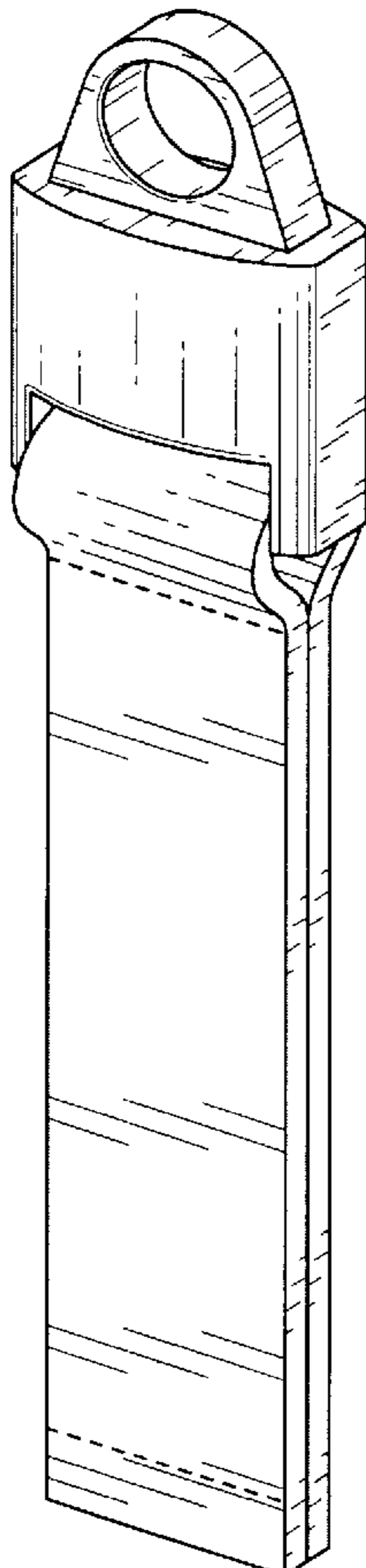
DESCRIPTION

FIG. 1 provides a perspective view of the zipper pull
FIG. 2 provides a front view of the zipper pull, the rear view
being a mirror image.

FIG. 3 provides a side view of the zipper pull, both sides
being the same.

FIG. 4 provides a top view of the zipper pull; and,
FIG. 5 provides a bottom view of the zipper pull.

1 Claim, 3 Drawing Sheets



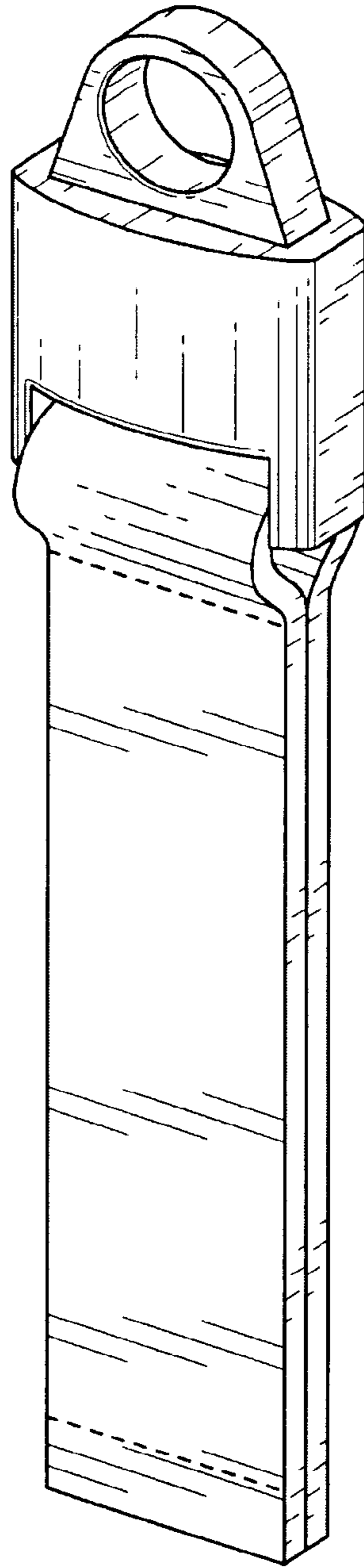


FIG. 1

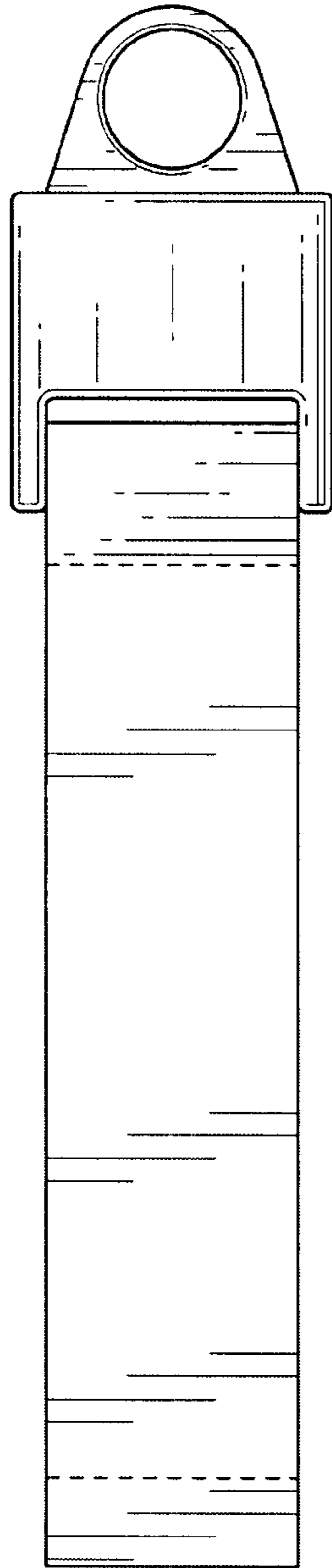


FIG. 2

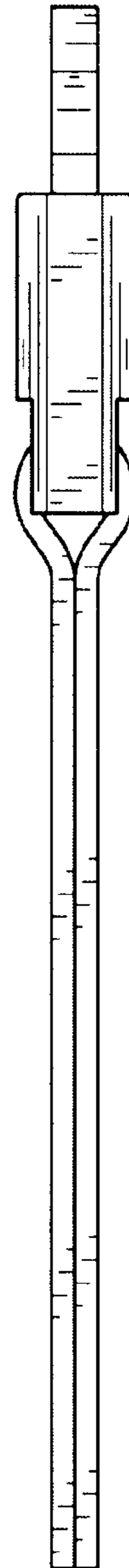


FIG. 3

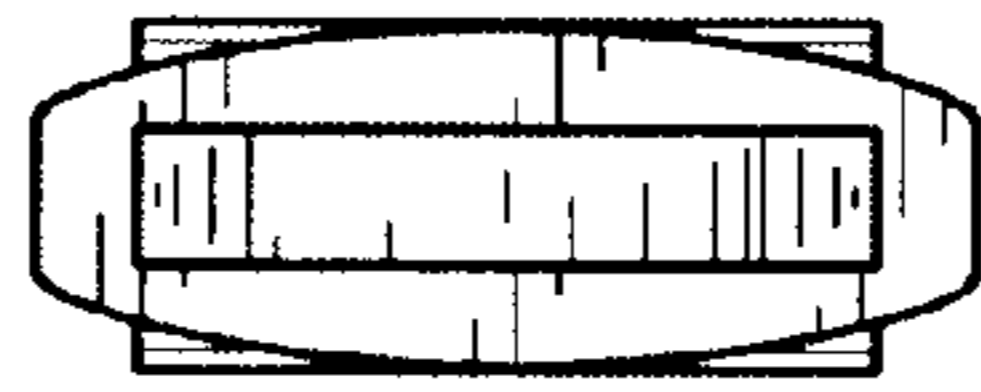


FIG. 4

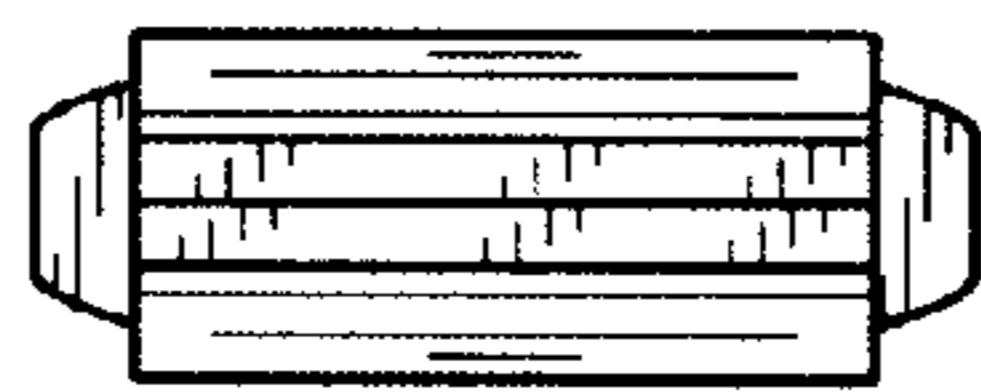


FIG. 5