



US00D483293S

(12) **United States Design Patent**
Kawamura

(10) **Patent No.:** **US D483,293 S**

(45) **Date of Patent:** **** Dec. 9, 2003**

(54) **BUCKLE**

(75) Inventor: **Ryoji Kawamura**, Taipei (TW)

(73) Assignee: **YKK Corporation**, Tokyo (JP)

(**) Term: **14 Years**

(21) Appl. No.: **29/169,027**

(22) Filed: **Oct. 11, 2002**

(30) **Foreign Application Priority Data**

Apr. 11, 2002 (JP) 2002-009799

(51) **LOC (7) Cl.** **02-07**

(52) **U.S. Cl.** **D11/216**

(58) **Field of Search** D11/200, 215-218,
D11/212; 24/196-198, 200

(56) **References Cited**

U.S. PATENT DOCUMENTS

D349,262 S * 8/1994 Krauss D11/216
D379,161 S * 5/1997 Matoba D11/216
D423,985 S * 5/2000 Yoshiguchi D11/218
D467,521 S * 12/2002 Yoshiguchi D11/218

* cited by examiner

Primary Examiner—Ralf Seifert

(74) *Attorney, Agent, or Firm*—Bell, Boyd & Lloyd LLC

(57) **CLAIM**

The ornamental design for a buckle, as shown and described.

DESCRIPTION

FIG. 1 is a perspective view of a buckle of the claimed

design, having a male member and a female member assembled together.

FIG. 2 is a top view of the buckle of FIG. 1.

FIG. 3 is a bottom view of the buckle of FIG. 1.

FIG. 4 is a front elevational view of the buckle of FIG. 1.

FIG. 5 is a rear elevational view of the buckle of FIG. 1.

FIG. 6 is a right side view of the buckle of FIG. 1, and the left side view is a mirror image thereof.

FIG. 7 is a front elevational view of the male member of the buckle of FIG. 1.

FIG. 8 is a rear elevational view of the male member of FIG. 7.

FIG. 9 is a right side view of the male member of FIG. 7, and the left side view is a mirror image thereof.

FIG. 10 is a top view of the male member of FIG. 7.

FIG. 11 is a bottom view of the male member of FIG. 7.

FIG. 12 is a cross-sectional view taken along the line 12—12 of the male member of FIG. 7.

FIG. 13 is a cross-sectional view taken along the line 13—13 of the male member of FIG. 7.

FIG. 14 is a front elevational view of the female member of the buckle of FIG. 1.

FIG. 15 is a rear elevational view of the female member of FIG. 14.

FIG. 16 is a right side view of the female member of FIG. 14, and the left side view is a mirror image thereof.

FIG. 17 is a top view of the female member of FIG. 14.

FIG. 18 is a bottom view of the female member of FIG. 14; and,

FIG. 19 is a cross-sectional view taken along the line 19—19 of the female member of FIG. 14.

1 Claim, 3 Drawing Sheets

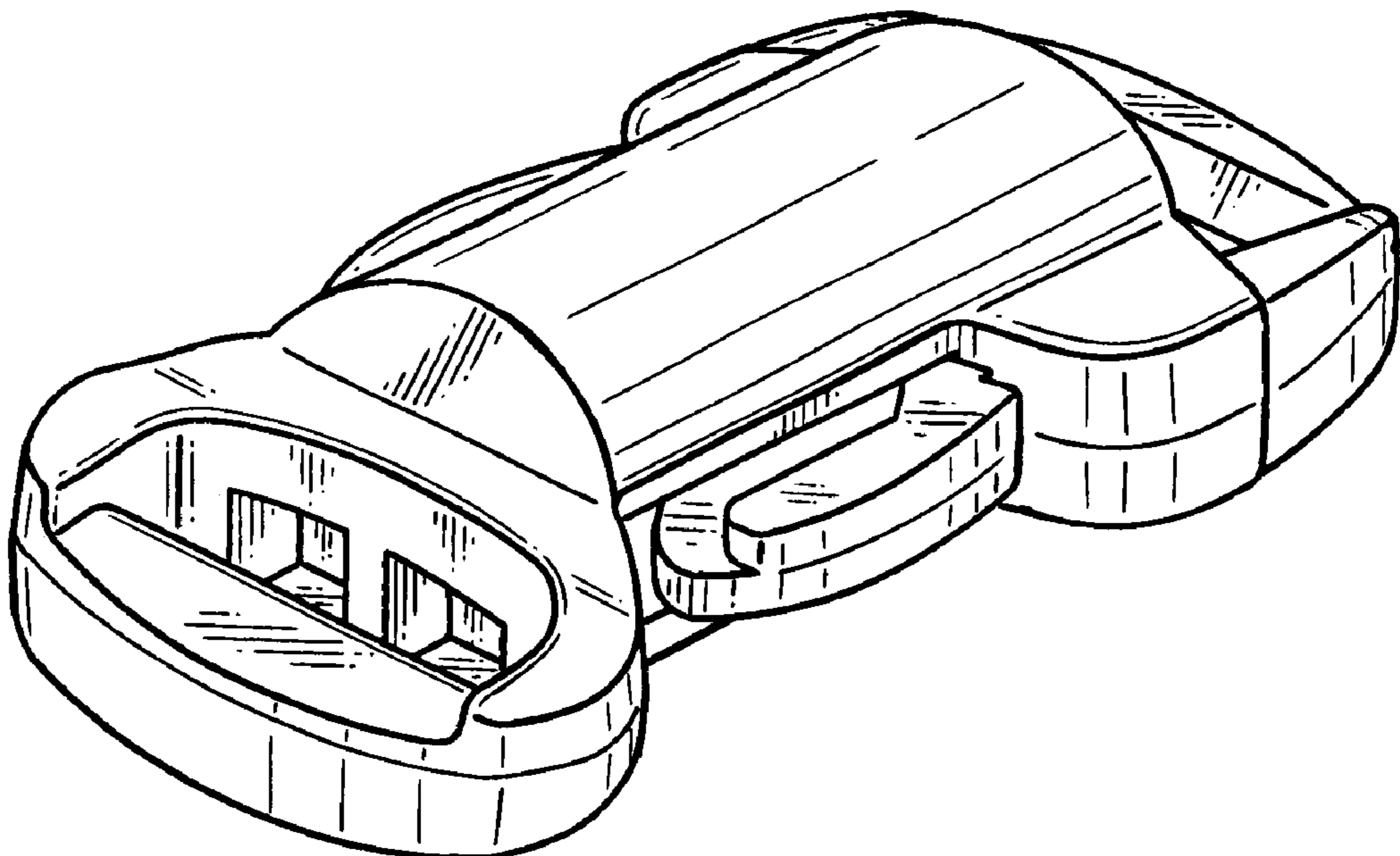


FIG. 1

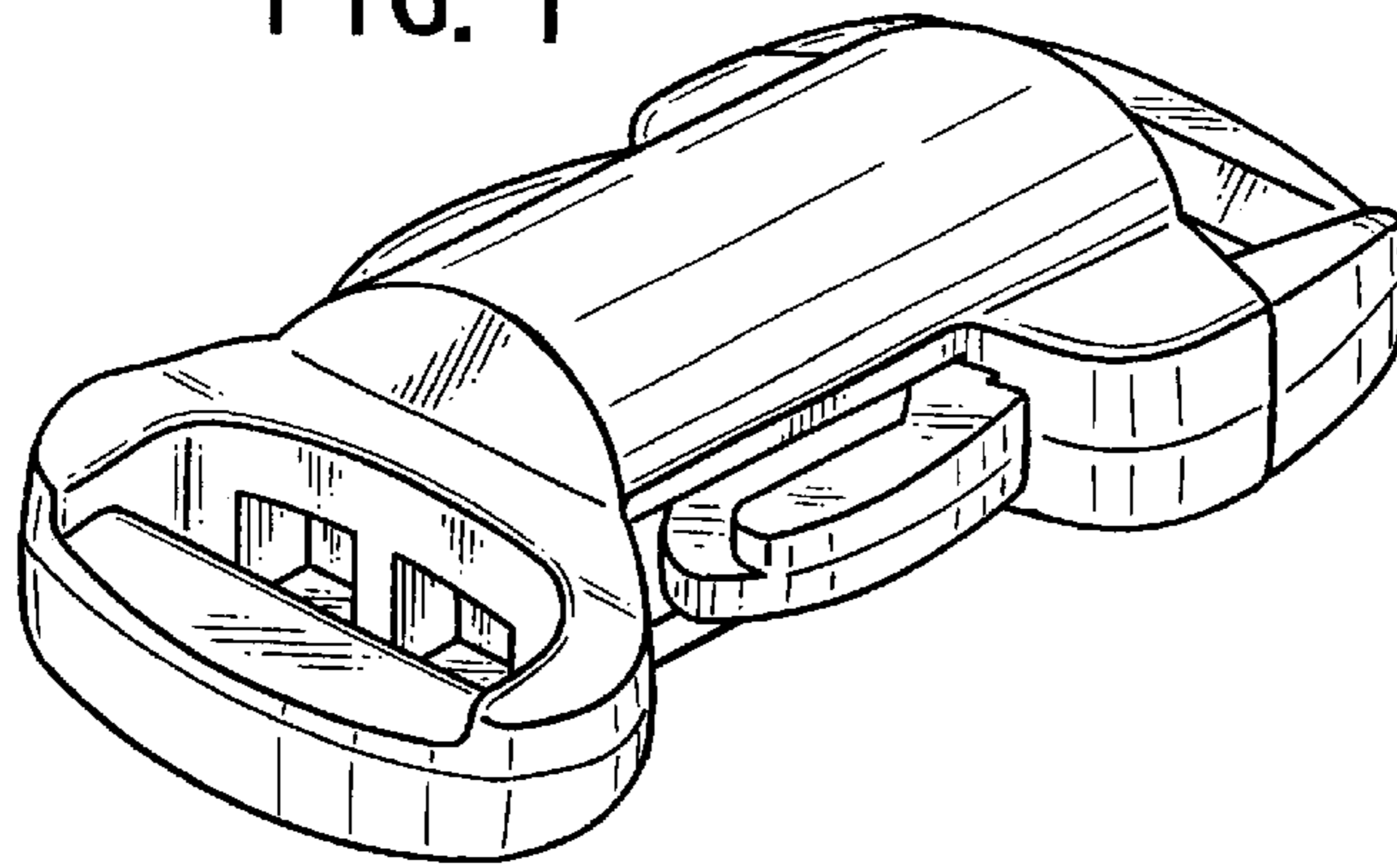


FIG. 2

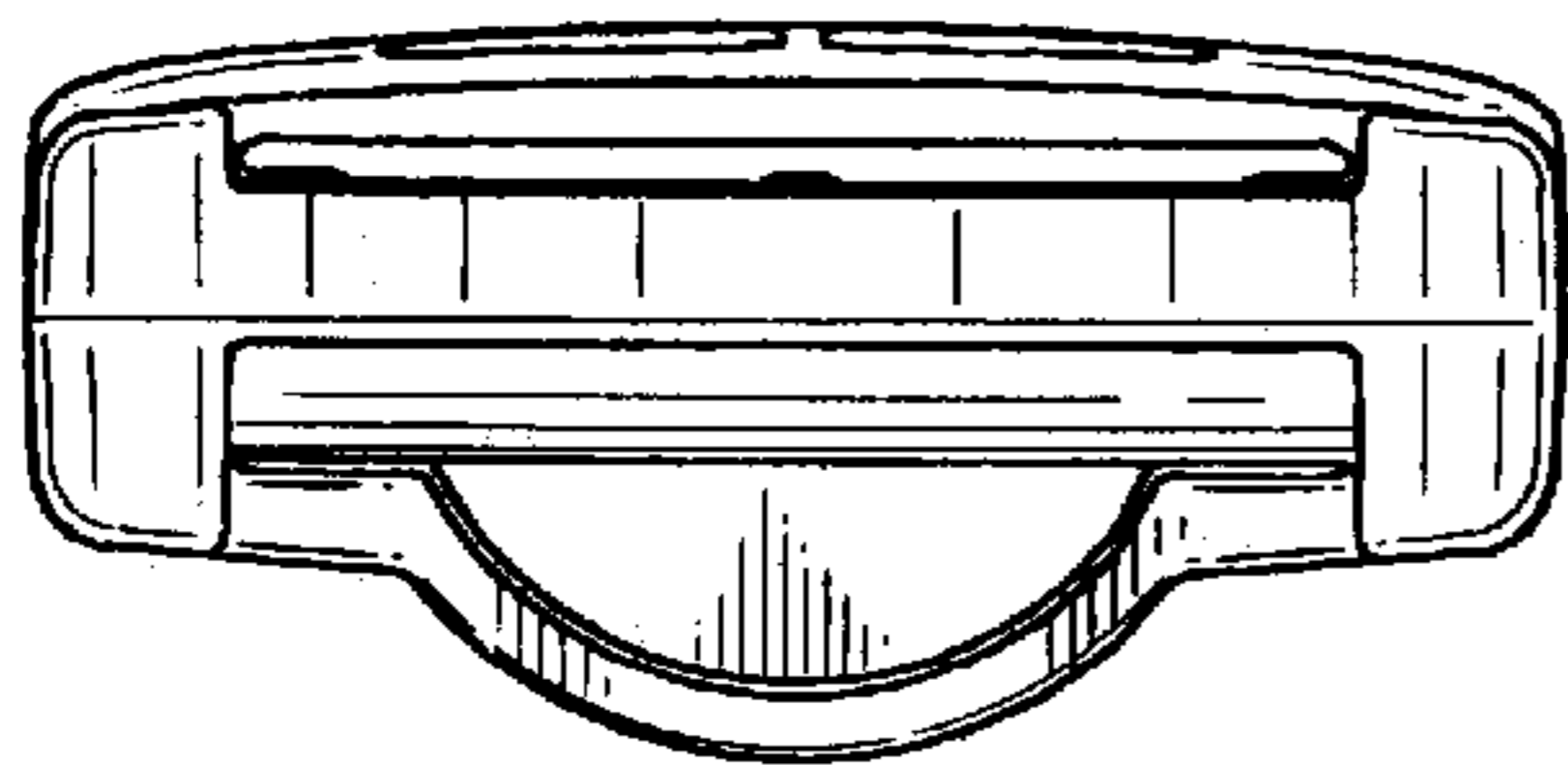


FIG. 3

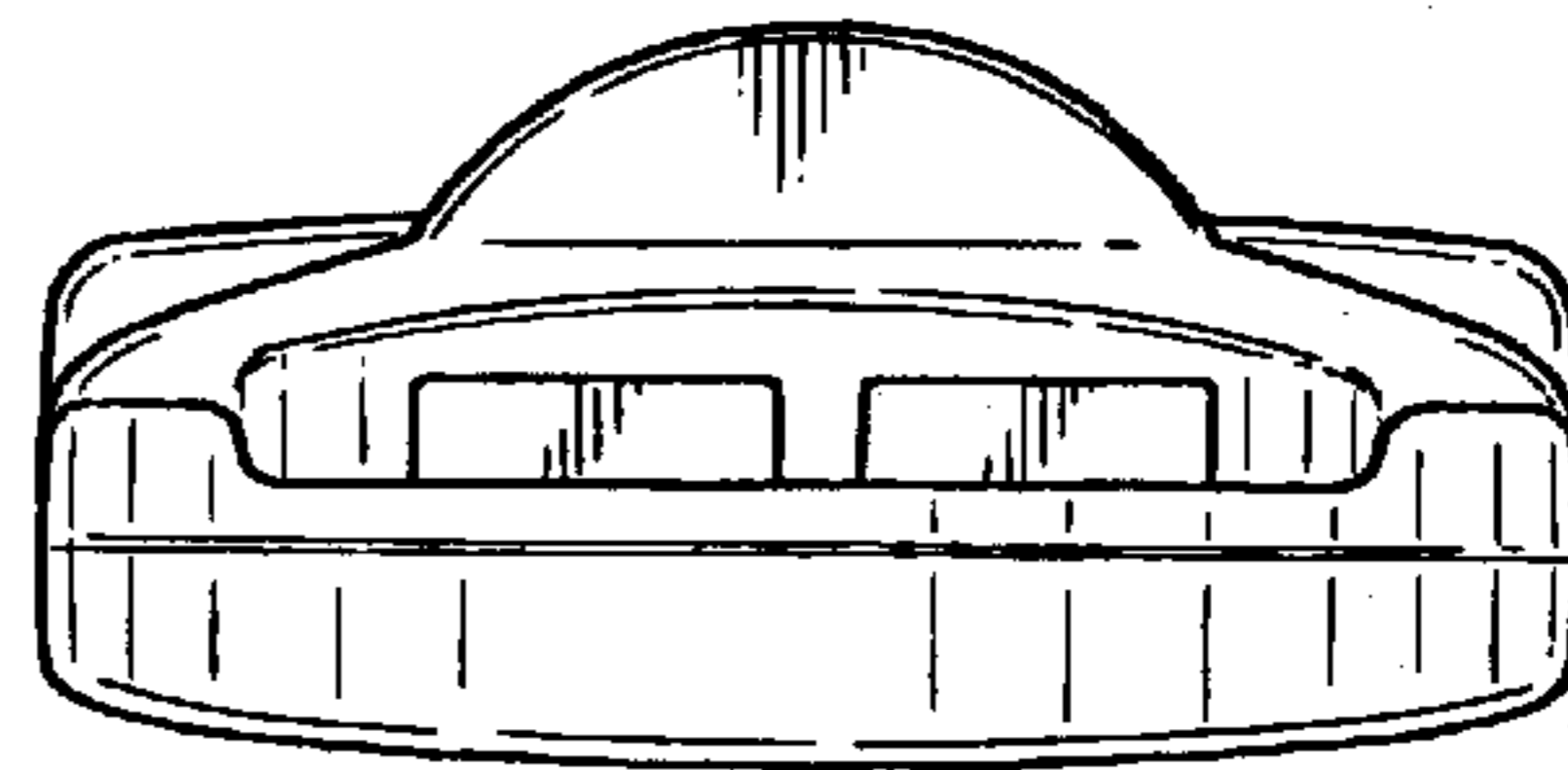


FIG. 4

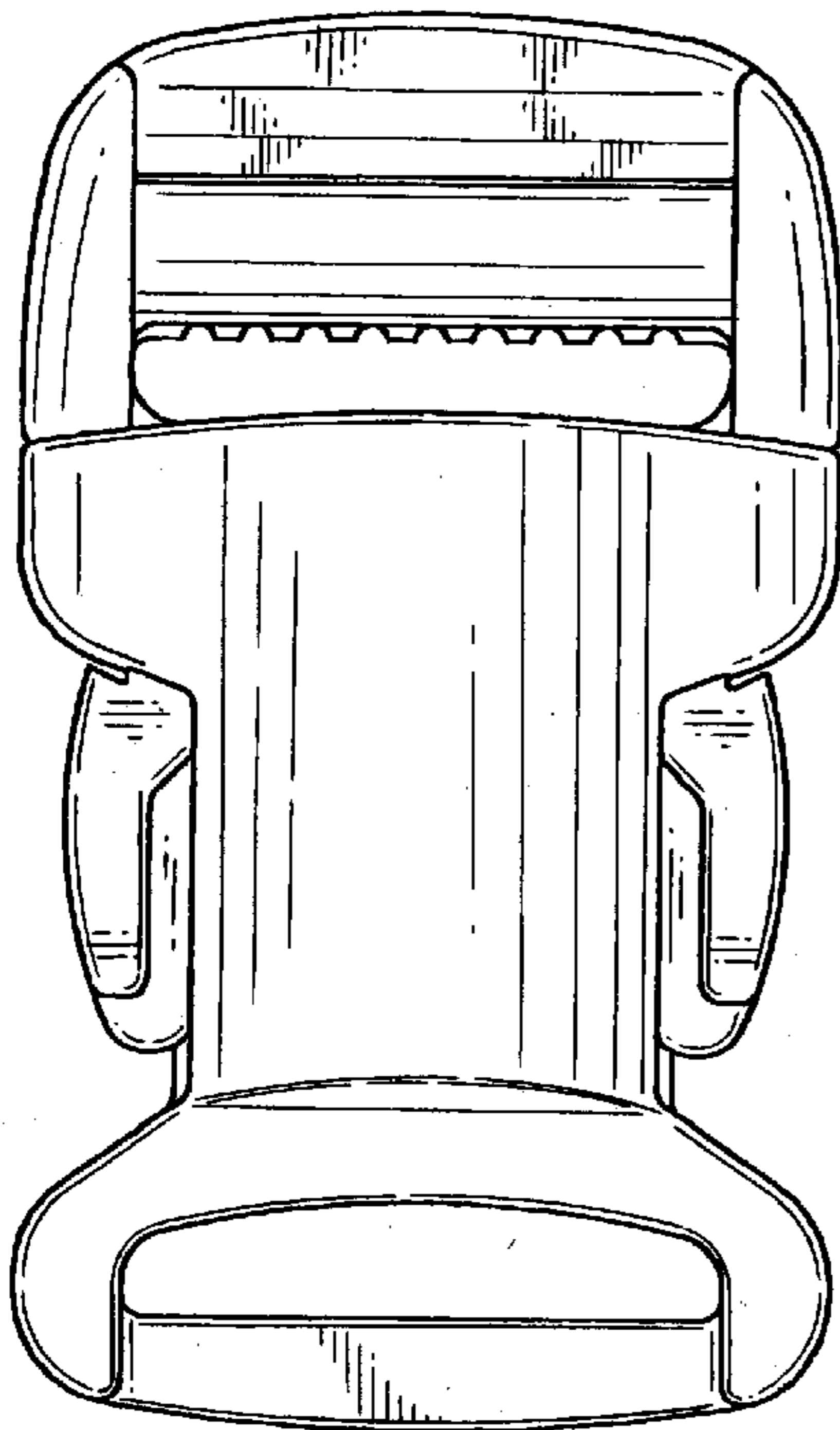


FIG. 5

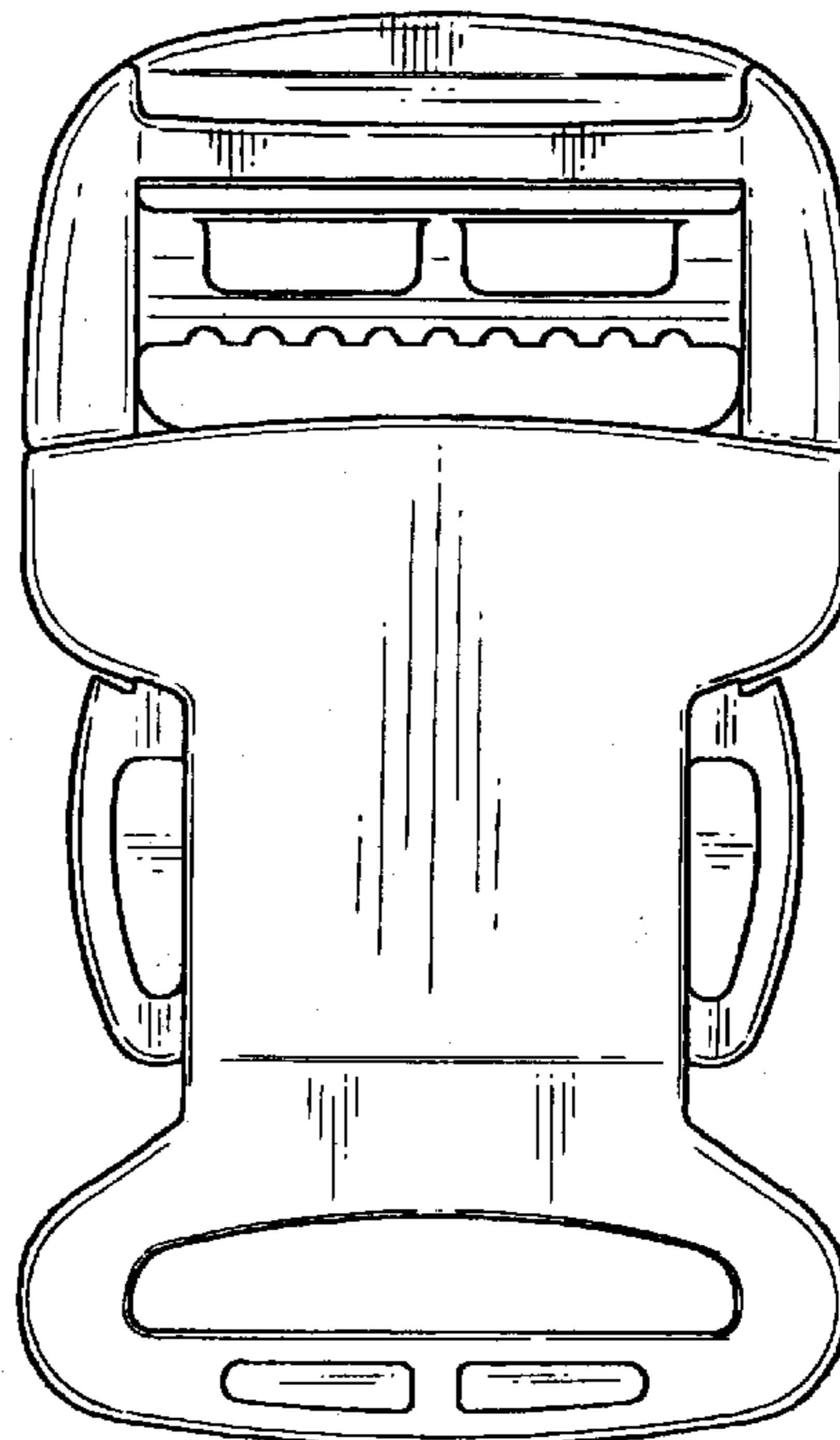


FIG. 6

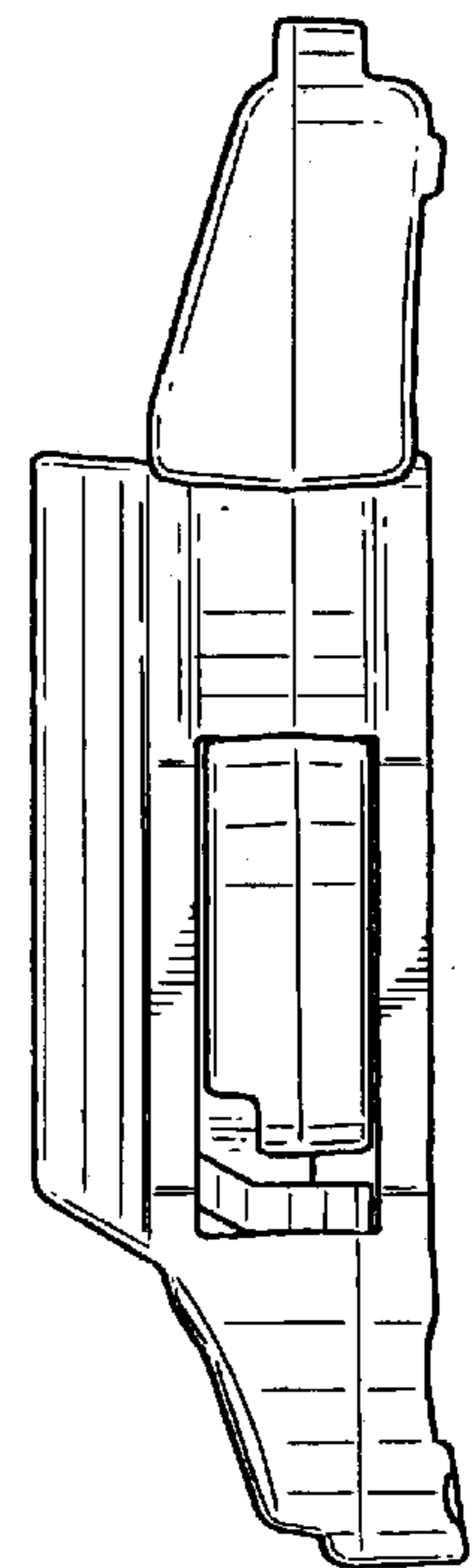


FIG. 7

13 ←

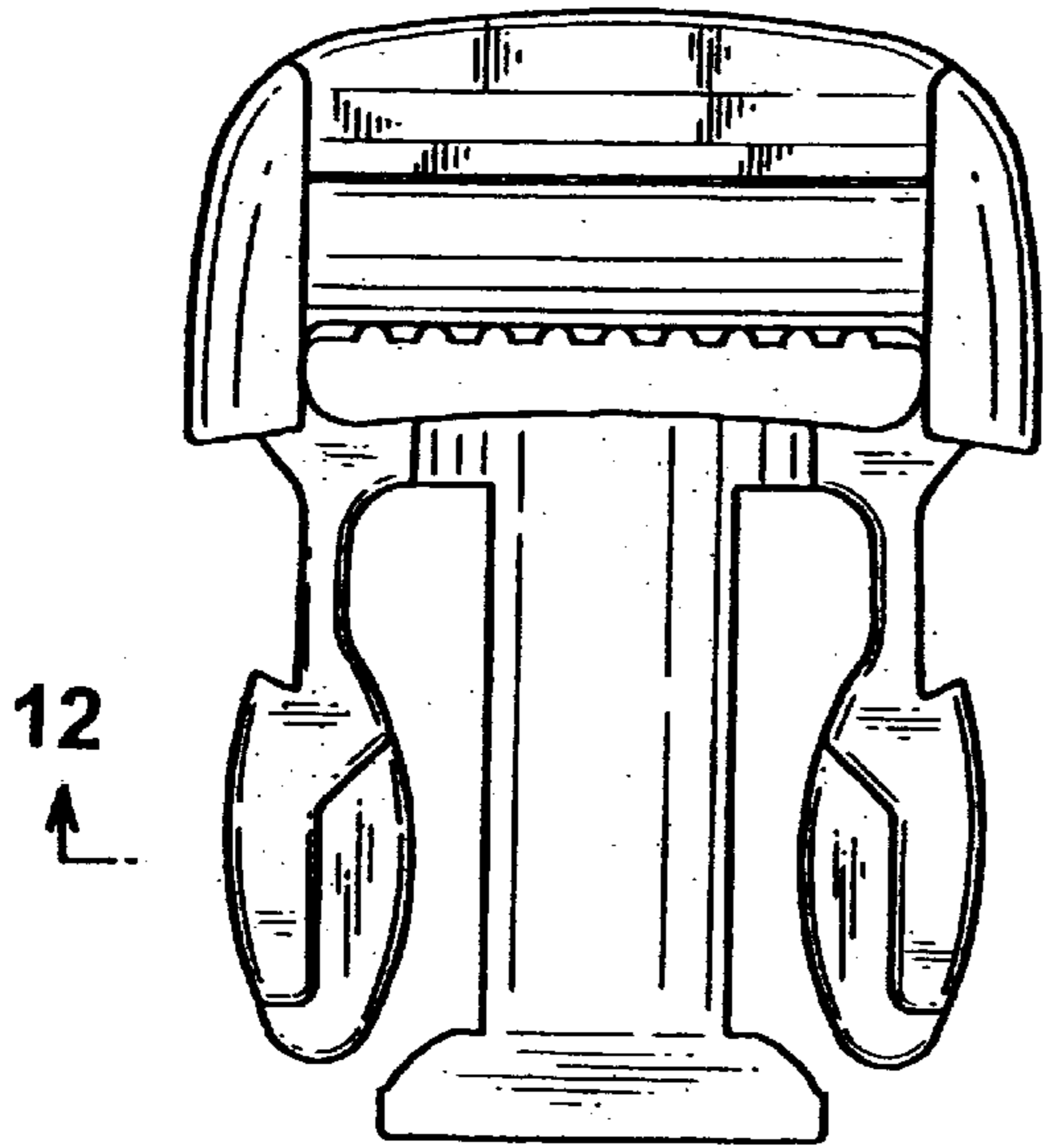
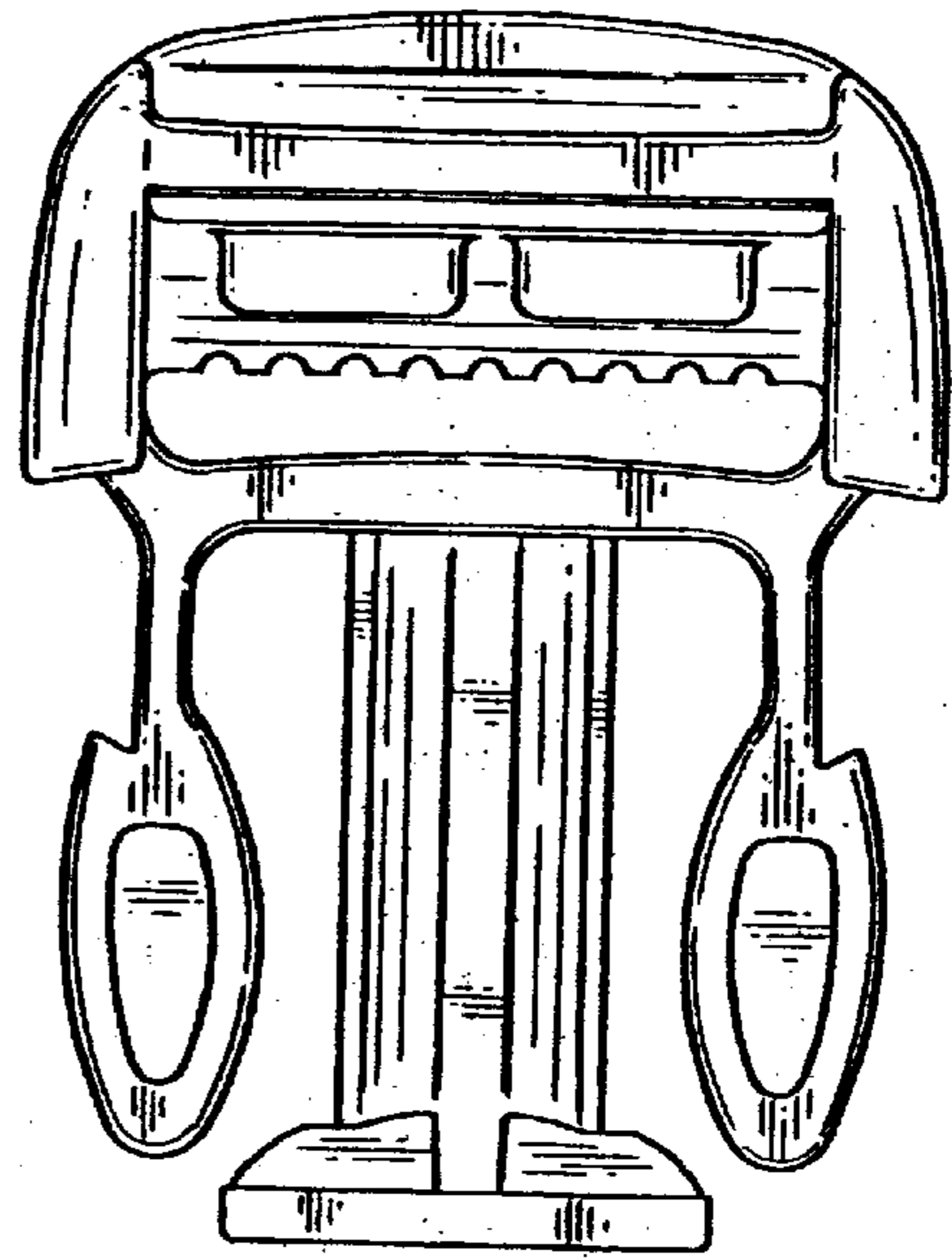


FIG. 8



13 ←

FIG. 10

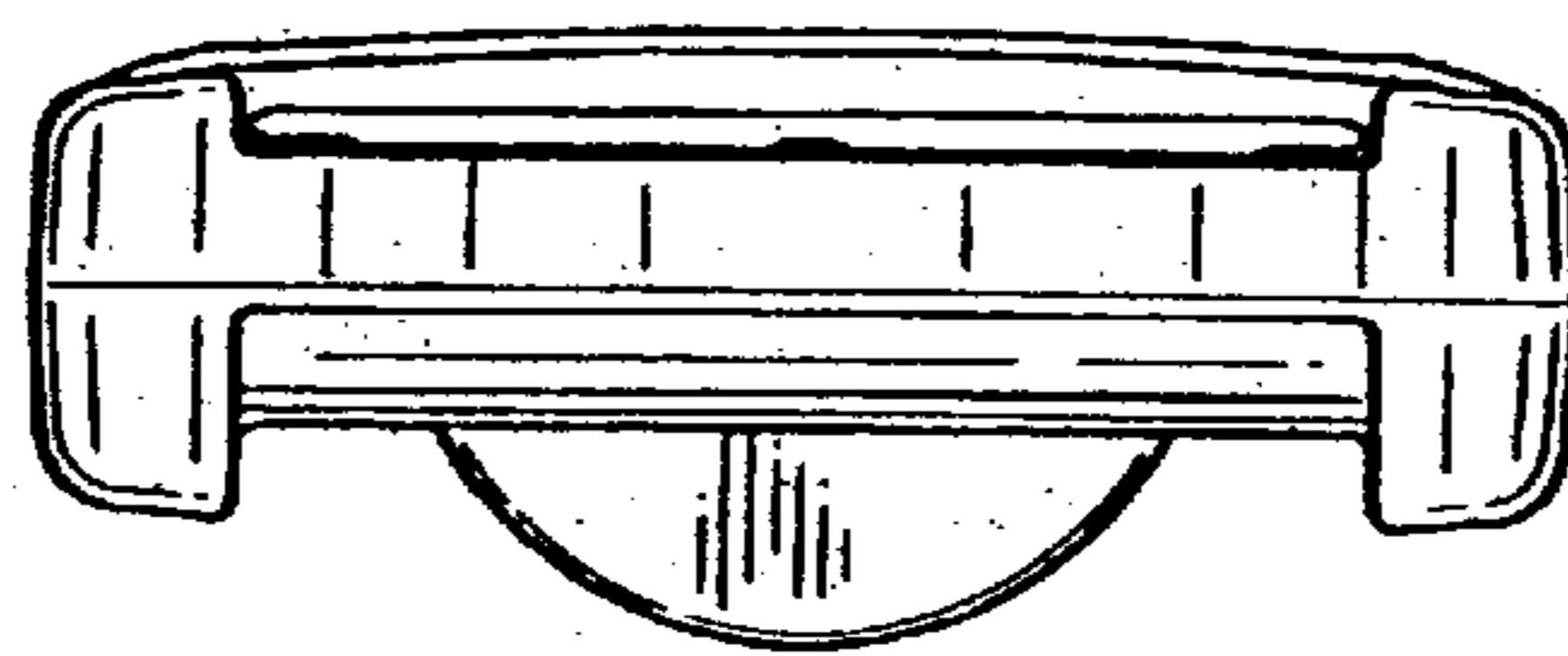


FIG. 9

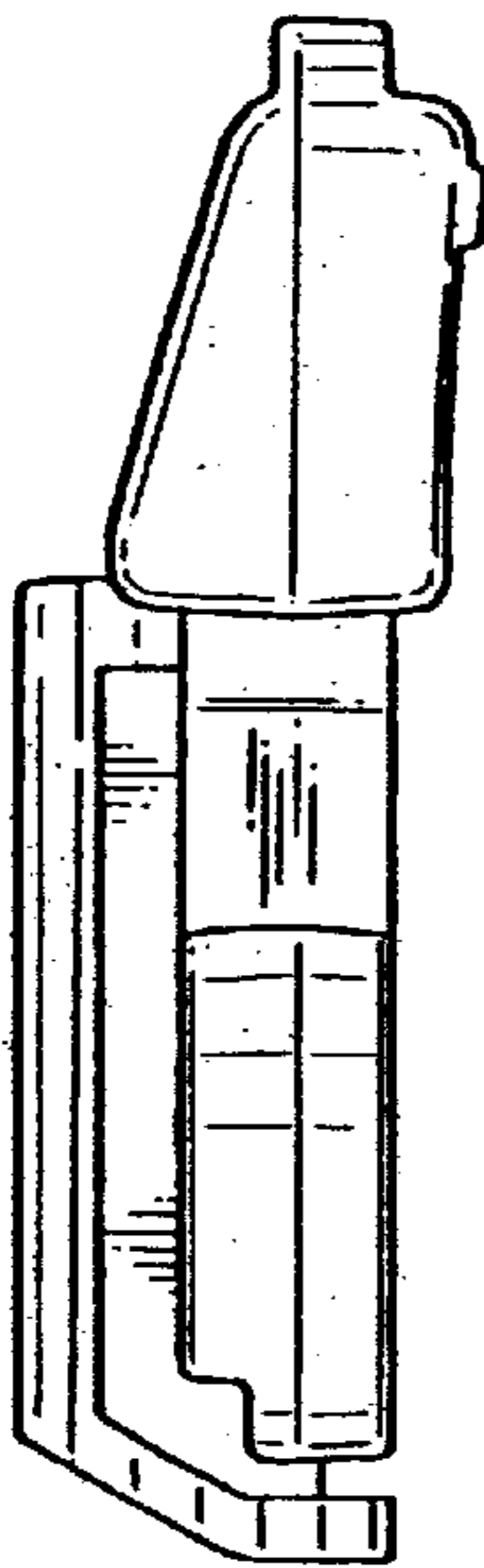


FIG. 13

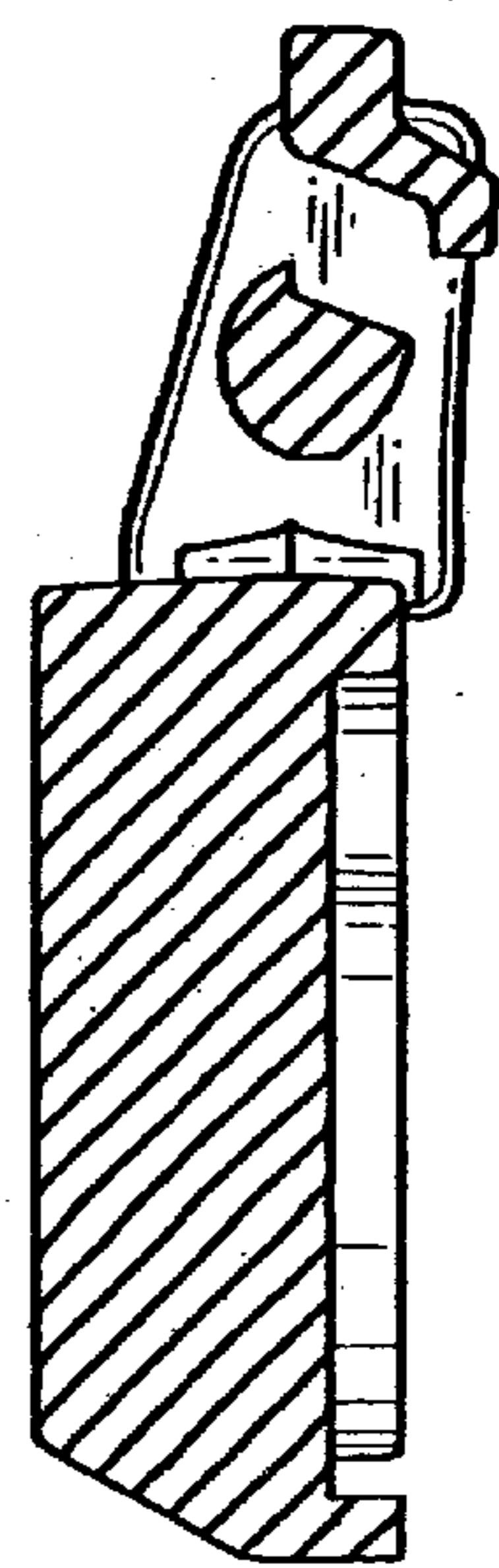


FIG. 11

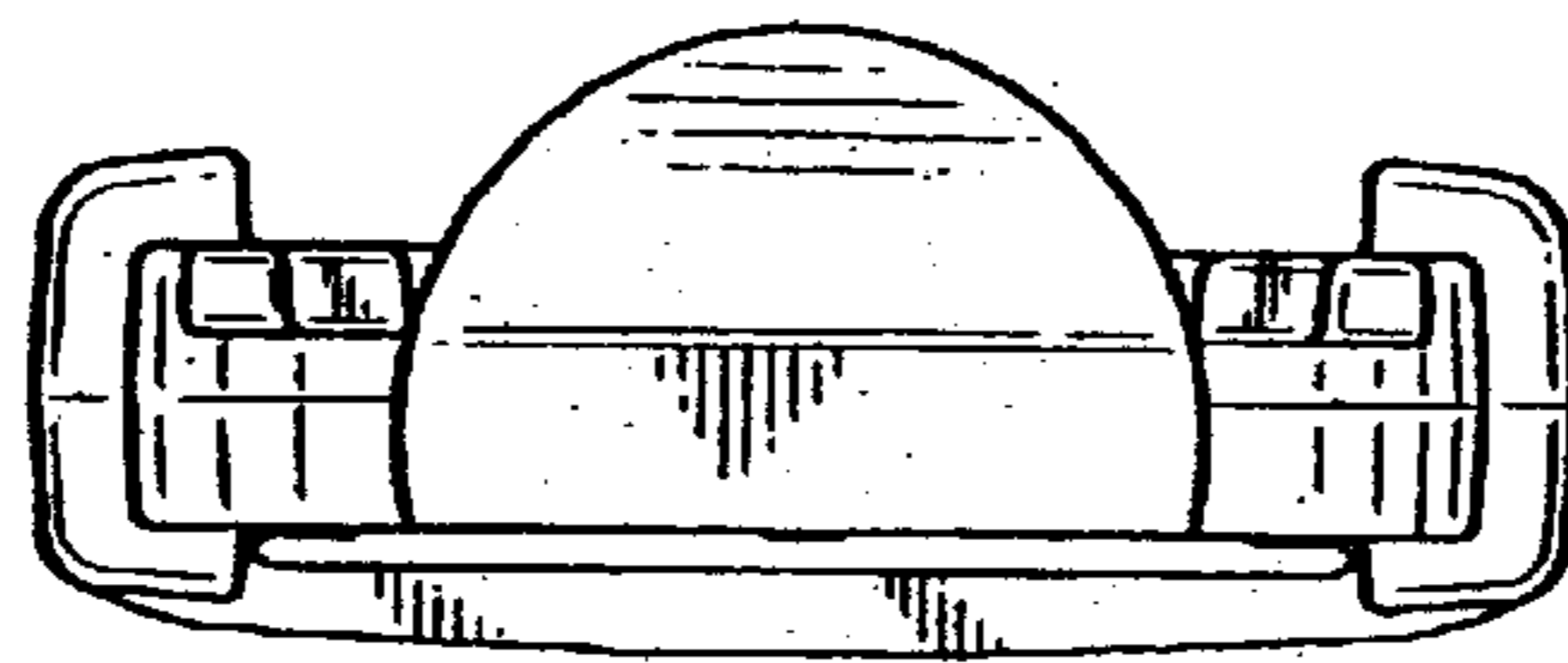


FIG. 12

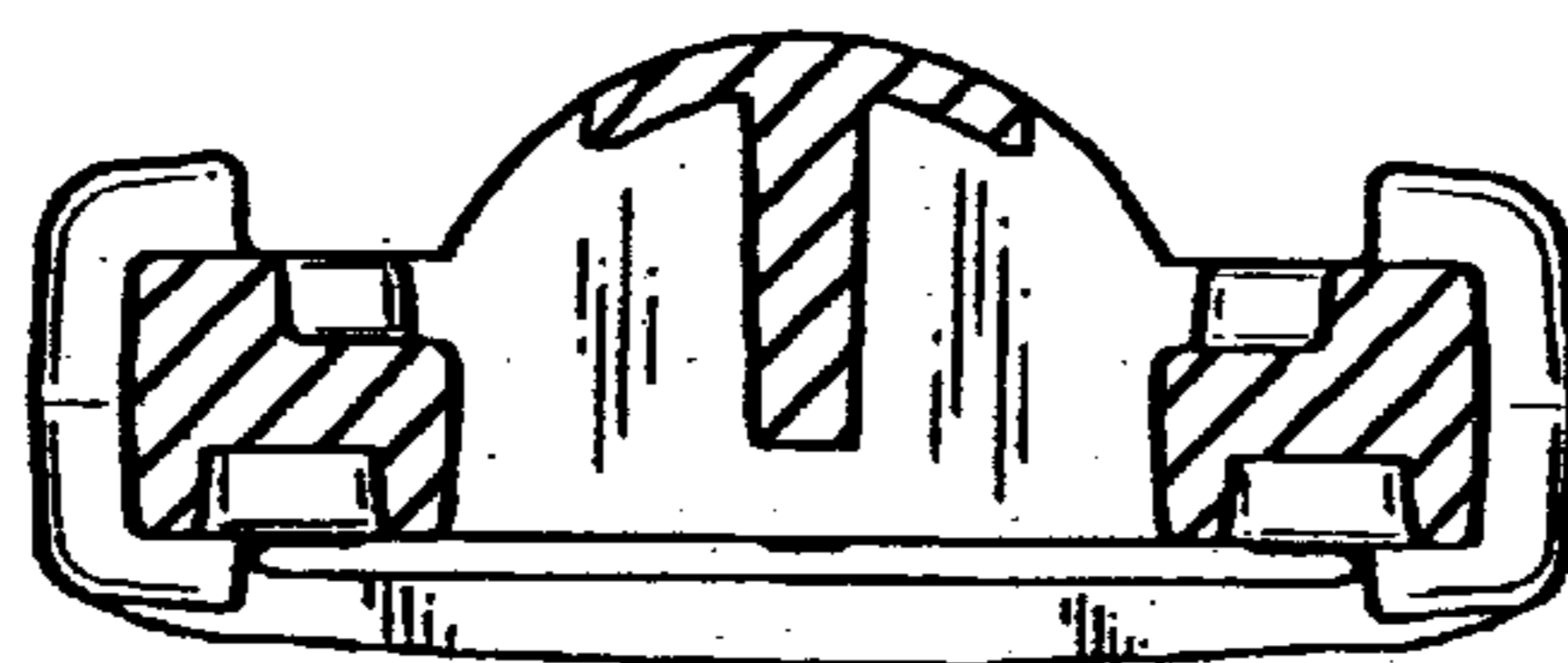
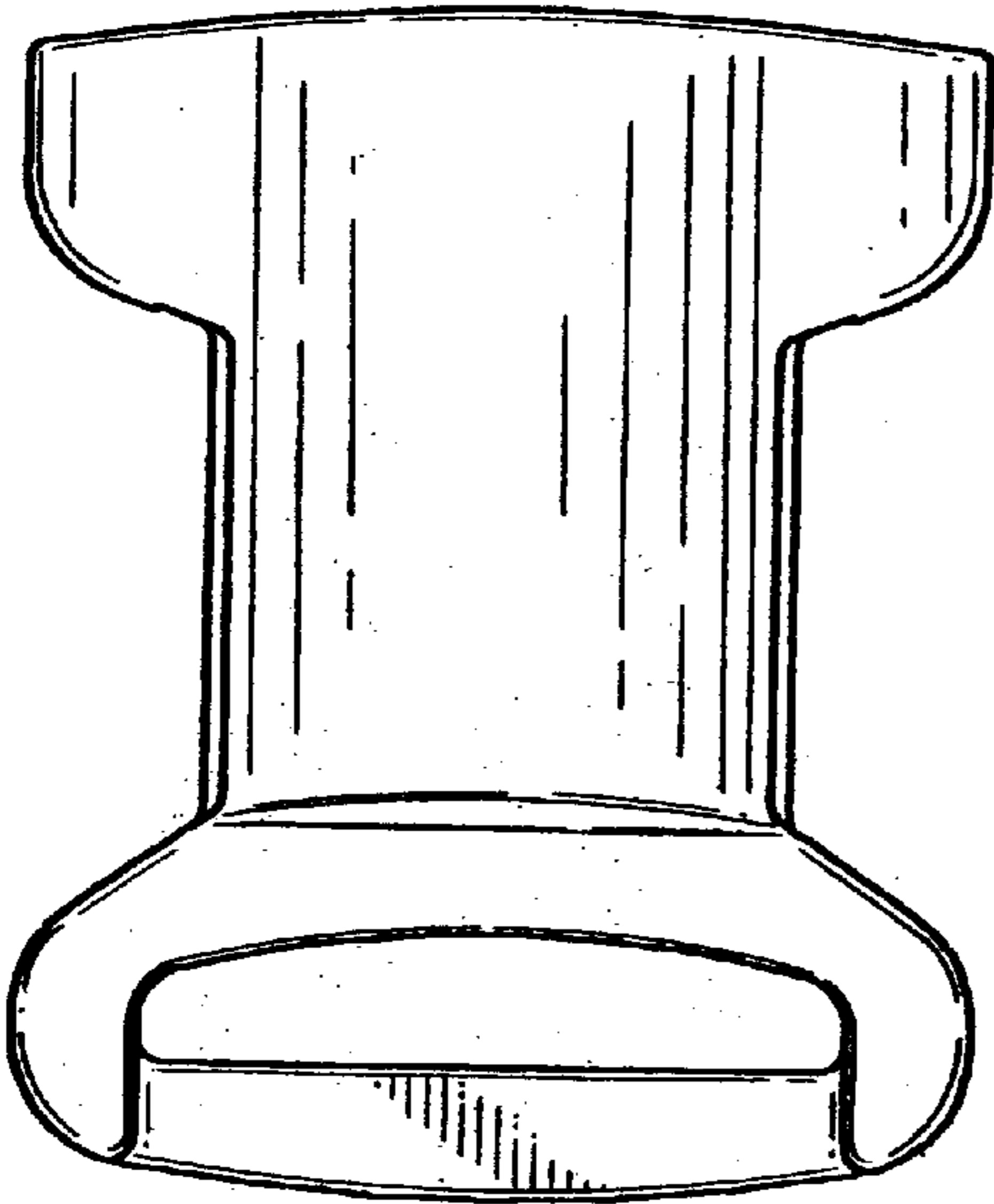


FIG. 14

19 ←



19 ←

FIG. 15

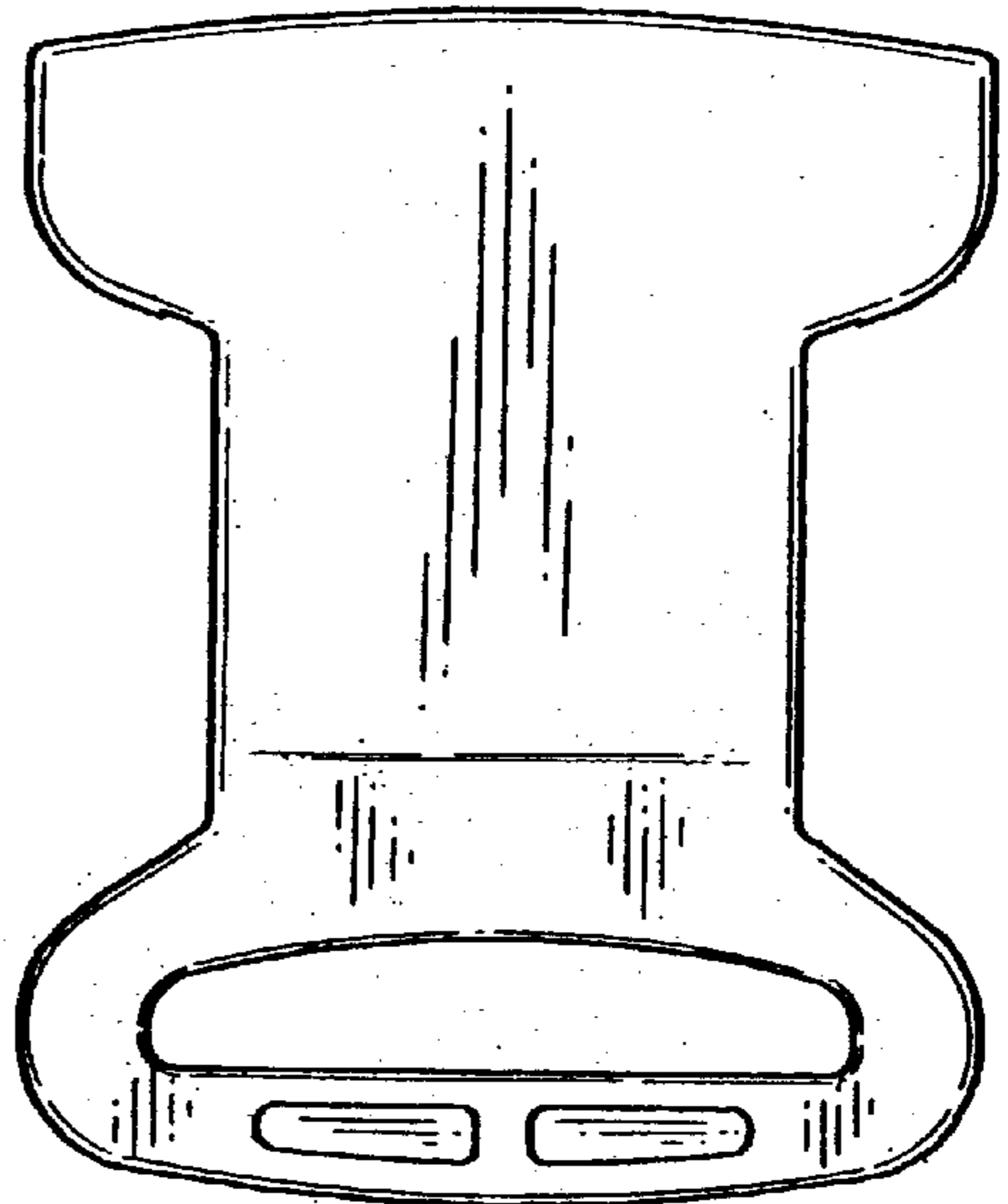


FIG. 16

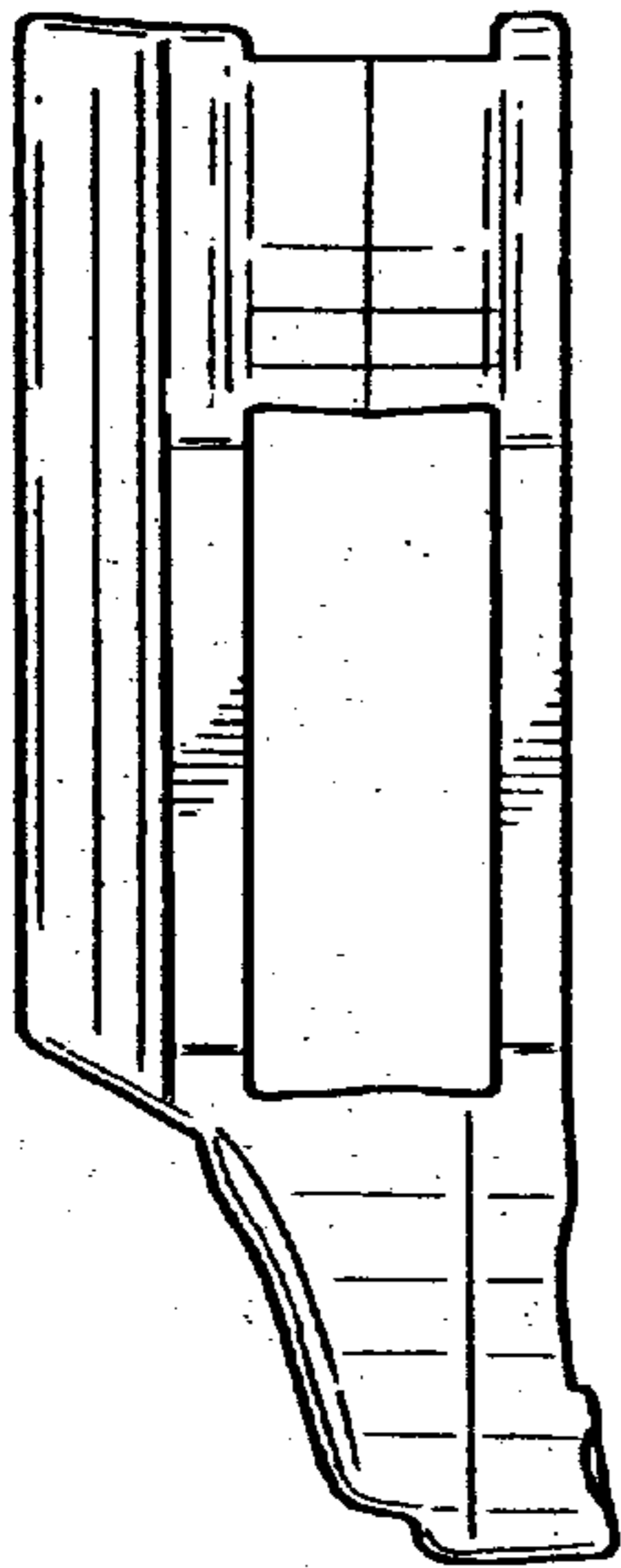


FIG. 17

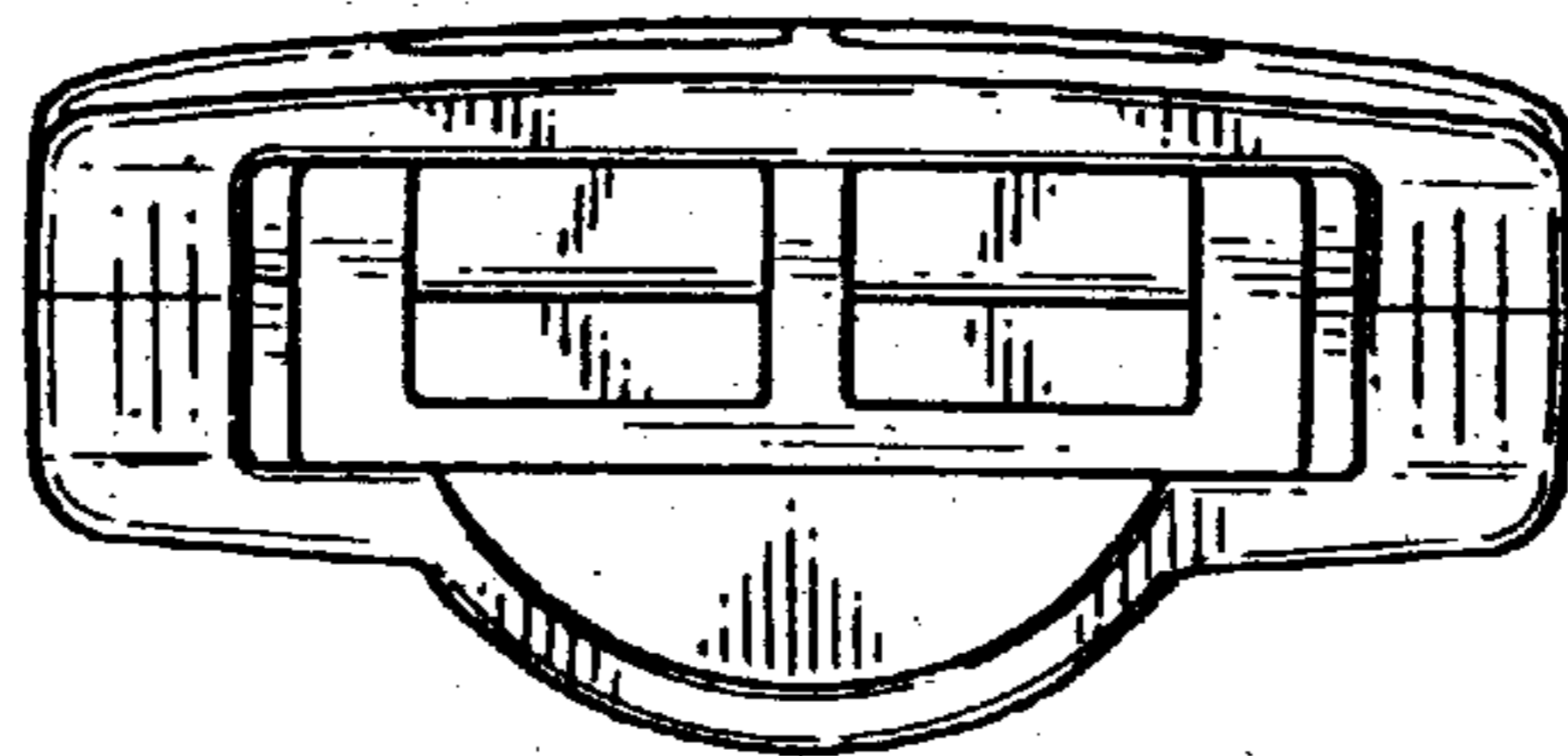


FIG. 19

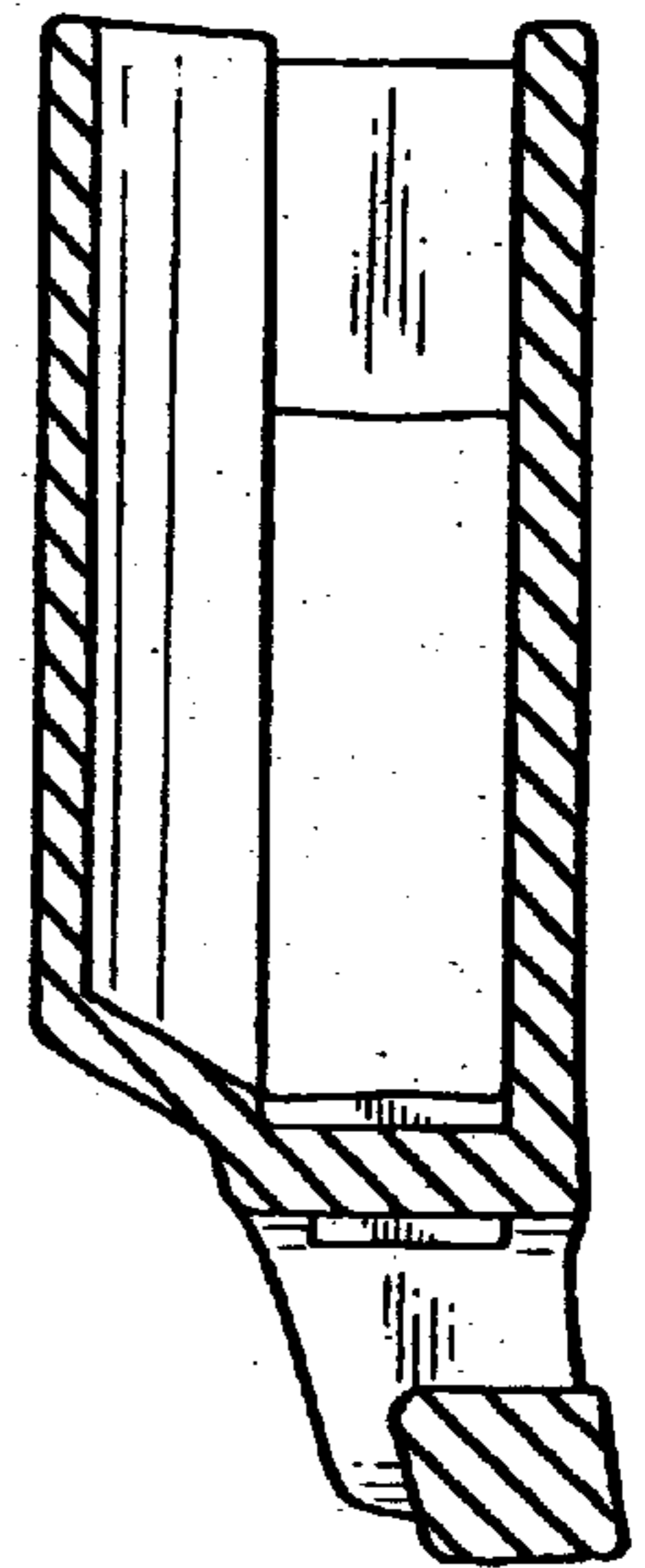


FIG. 18

