



US00D483292S

(12) **United States Design Patent**  
**Hostetter**

(10) **Patent No.:** **US D483,292 S**

(45) **Date of Patent:** **\*\* Dec. 9, 2003**

(54) **BICYCLE AND RIDER**

(76) **Inventor:** **Todd Hostetter**, c/o Goodwind Kites  
3420 Stone Way N., Seattle, WA (US)  
98103

(\*\*) **Term:** **14 Years**

(21) **Appl. No.:** **29/171,245**

(22) **Filed:** **Nov. 20, 2002**

(51) **LOC (7) Cl.** ..... **11-02**

(52) **U.S. Cl.** ..... **D11/160; D10/59; D21/445;**  
**D21/455; D21/458**

(58) **Field of Search** ..... **D11/131, 160;**  
**D21/398, 587, 458, 445; D10/59; 244/153 R,**  
**155 R, 153 A; 40/421, 422; 446/176, 201,**  
**376**

(56) **References Cited**

**U.S. PATENT DOCUMENTS**

172,709	A	*	1/1876	Crandall	.....	446/376
439,866	A	*	11/1890	Devore	.....	40/422
D48,475	S	*	1/1916	Nichols	.....	D11/160
1,286,380	A	*	12/1918	Matthews	.....	40/422
D71,774	S	*	1/1927	Berger	.....	D11/160
1,675,141	A	*	6/1928	Scholl	.....	40/422
1,894,105	A	*	1/1933	Kupfer	.....	446/201

D89,473	S	*	3/1933	Whelan	.....	D21/458
1,953,272	A	*	4/1934	Smith	.....	40/422
3,085,545	A	*	4/1963	Ore	.....	40/422
D199,449	S	*	10/1964	Carlson	.....	D21/587
D233,238	S	*	10/1974	Reid	.....	D11/160
D251,719	S	*	5/1979	Schmitz, Jr.	.....	D11/160
4,656,768	A	*	4/1987	Thigpen	.....	40/412
5,193,979	A	*	3/1993	Suin	.....	40/422
D335,509	S	*	5/1993	Friend	.....	D21/458
D394,463	S	*	5/1998	Filho	.....	D21/458
6,595,468	B1	*	7/2003	Chang	.....	244/153 R

\* cited by examiner

*Primary Examiner*—Dominic Simone

(74) *Attorney, Agent, or Firm*—Joe Chalverus

(57) **CLAIM**

The ornamental design for bicycle and rider.

**DESCRIPTION**

FIG. 1 is an isometric view of my new design;  
FIG. 2 is a right side view thereof;  
FIG. 3 is a left side view thereof;  
FIG. 4 is a front view thereof;  
FIG. 5 is a rear view thereof;  
FIG. 6. is a top plan view thereof; and,  
FIG. 7. is a bottom plan view thereof.

**1 Claim, 5 Drawing Sheets**

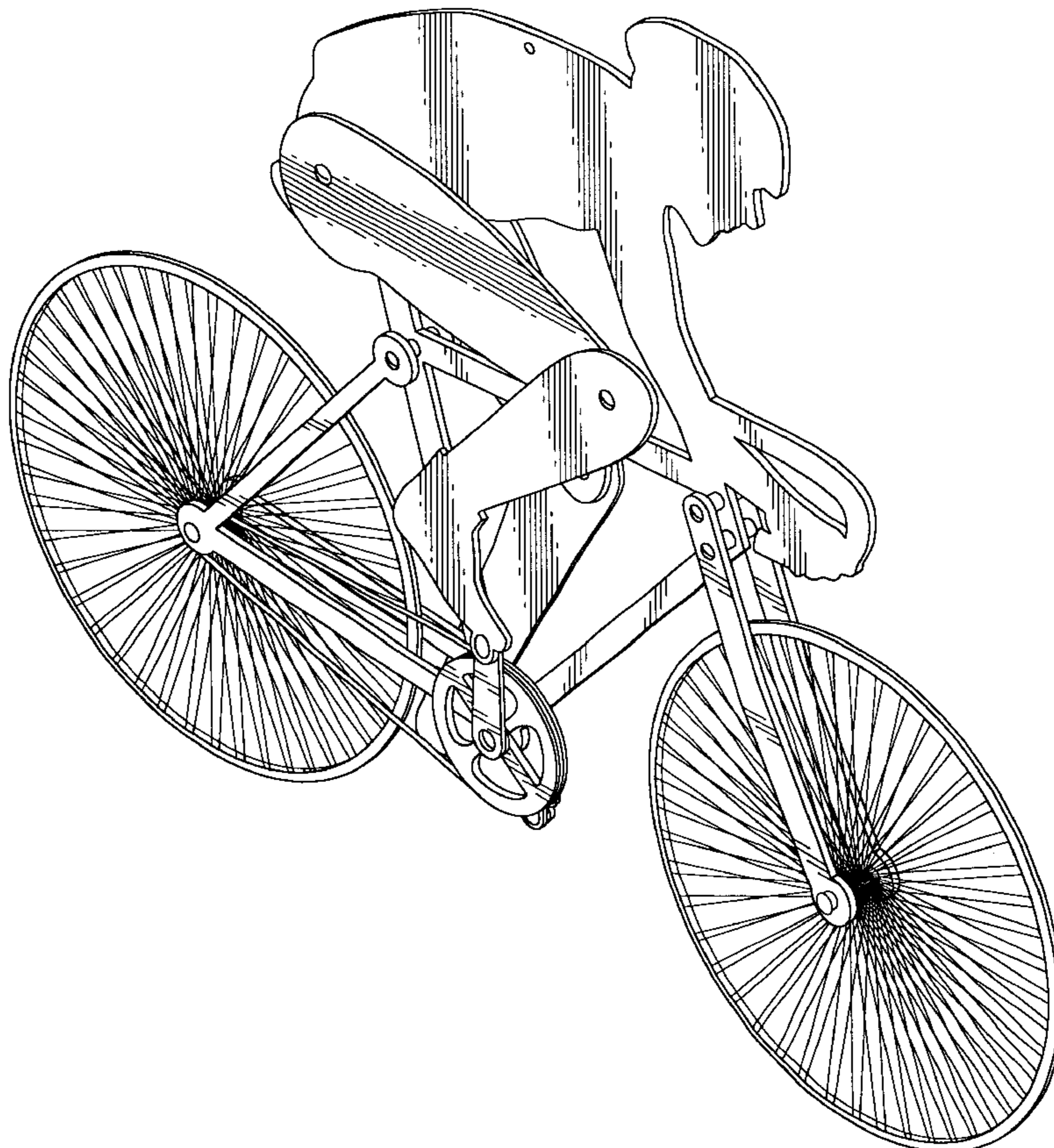
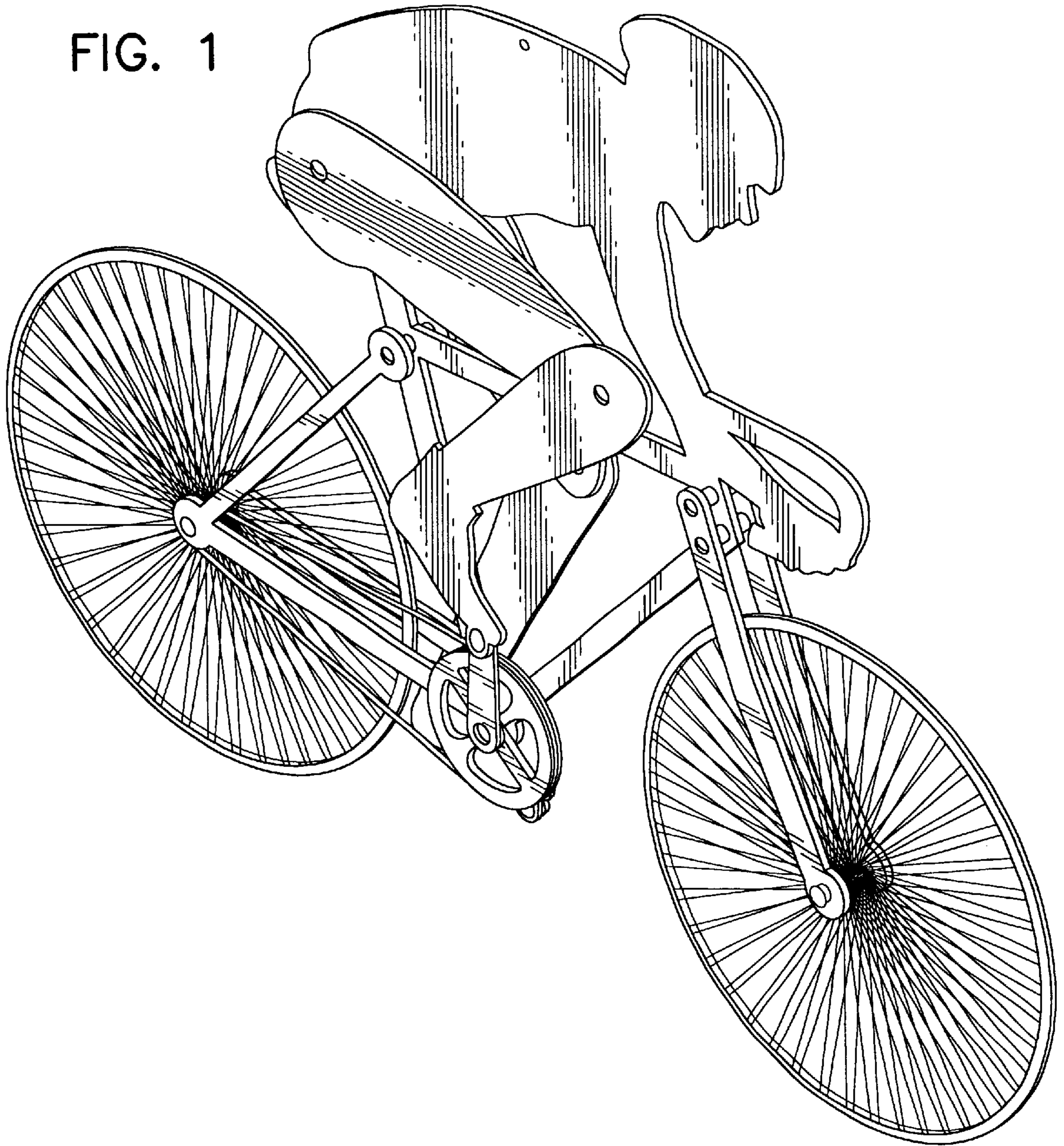


FIG. 1



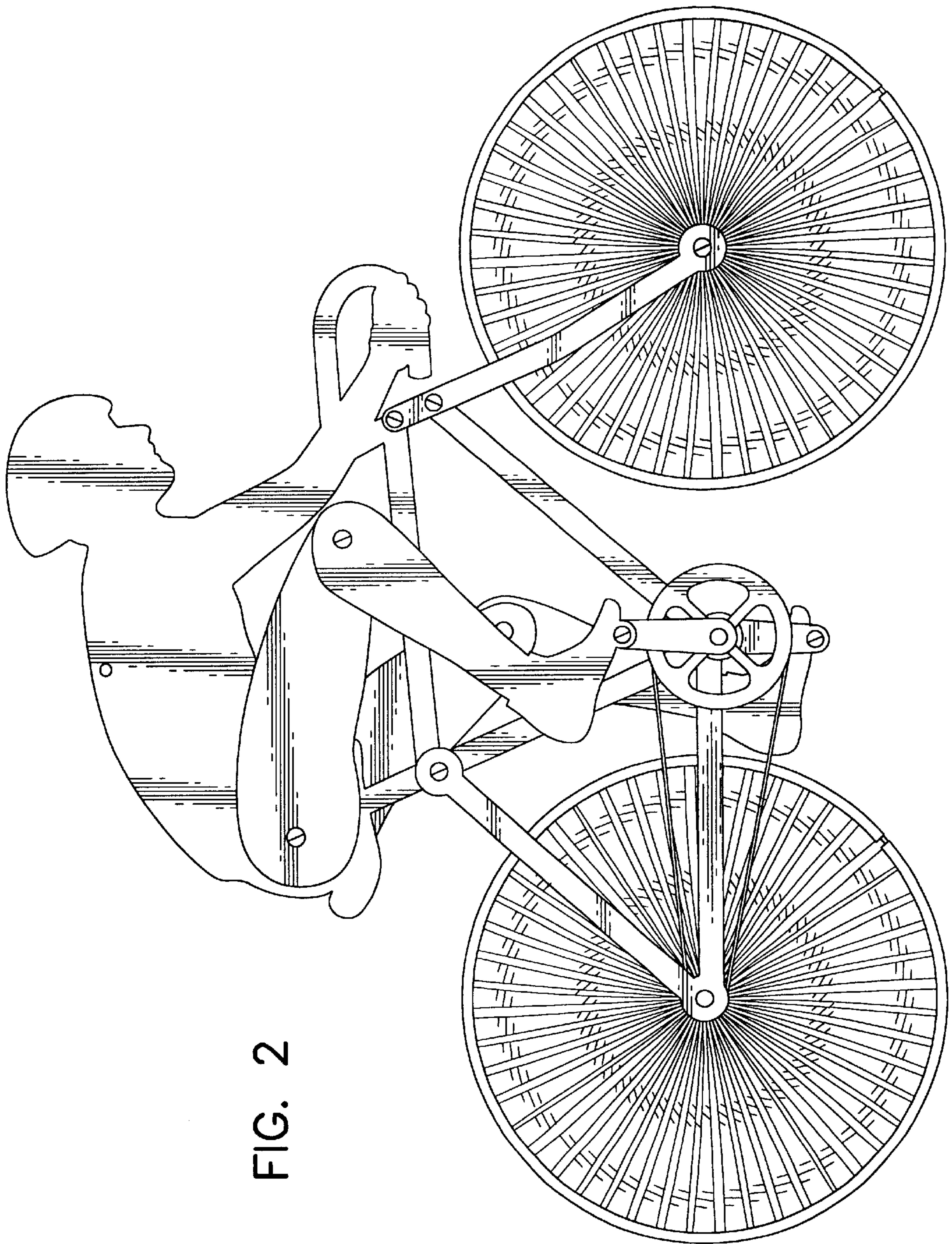


FIG. 2

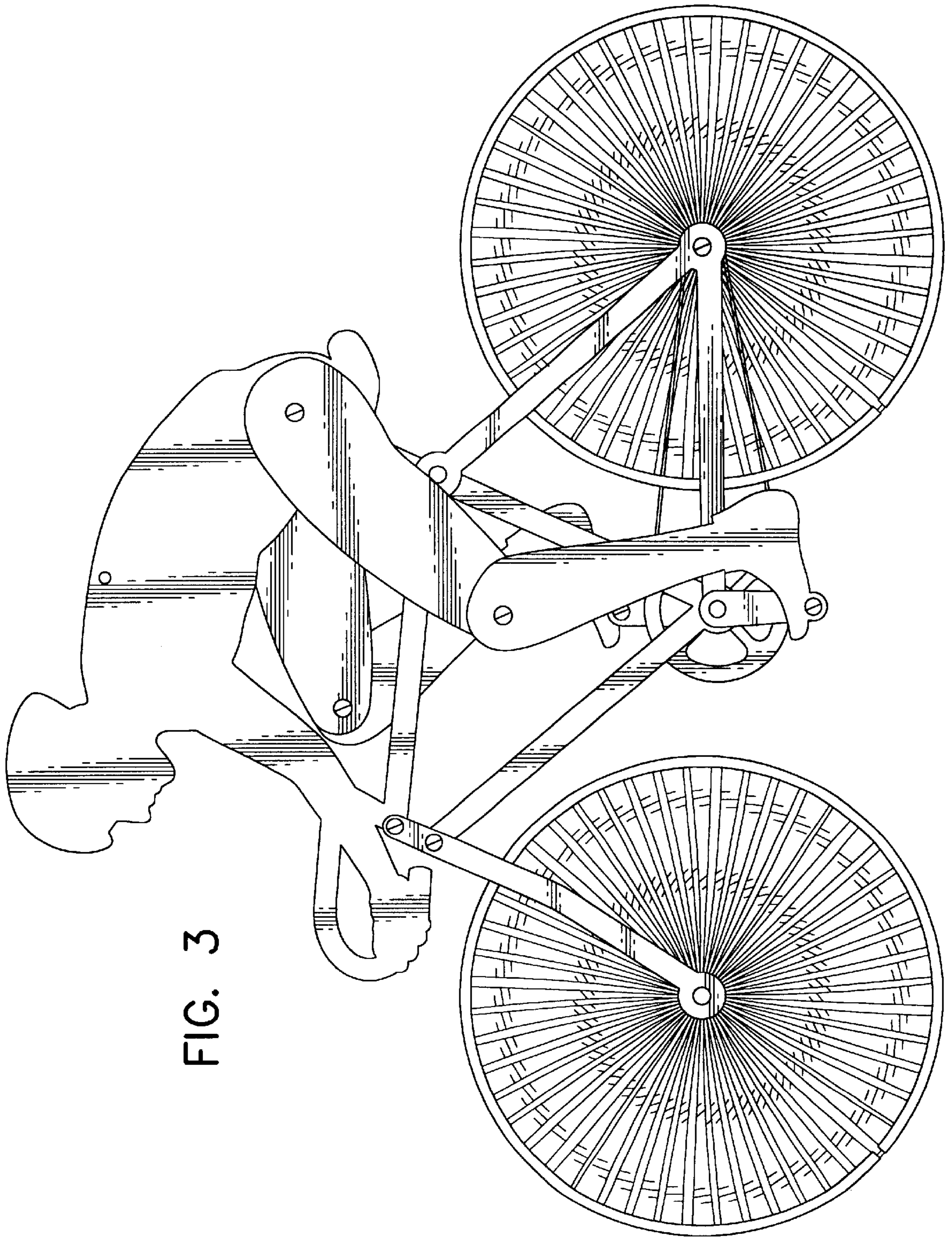


FIG. 3

FIG. 4

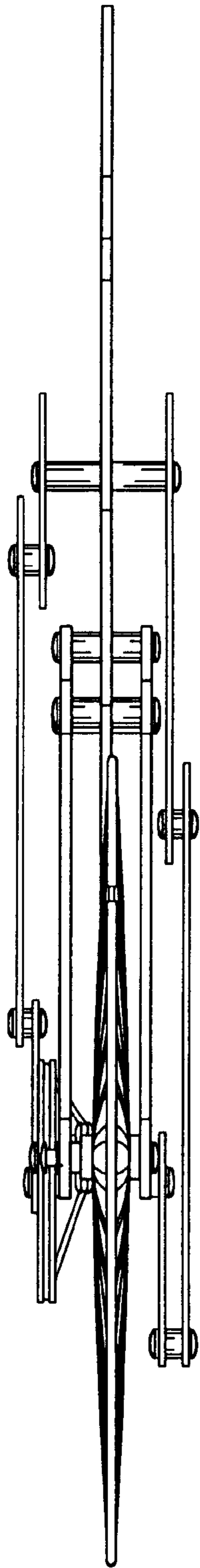


FIG. 5

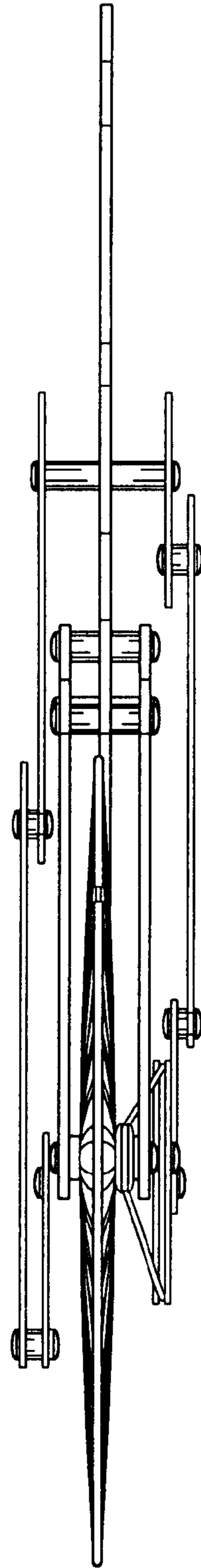


FIG. 6

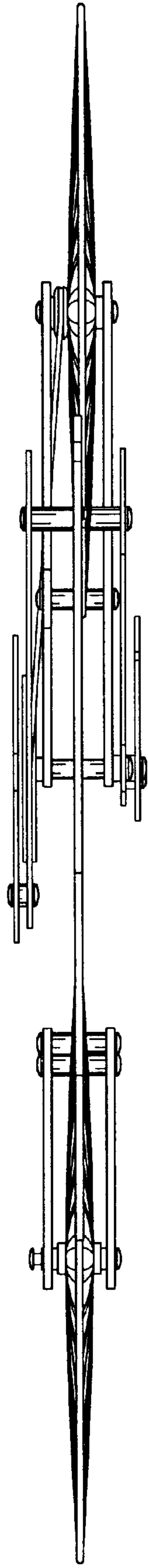


FIG. 7

