



US00D483288S

(12) **United States Design Patent** (10) **Patent No.:** **US D483,288 S**
Rosenwasser et al. (45) **Date of Patent:** **** Dec. 9, 2003**

(54) **MULTI-FACETED JEWELRY LINK AND CHAIN**

D424,964 S * 5/2000 Chia et al. D11/13
D449,790 S * 10/2001 Scortecchi D11/13

(75) Inventors: **David Rosenwasser**, Norwood, NJ (US); **Avraham Moshe Rosenwasser**, Norwood, NJ (US)

* cited by examiner

Primary Examiner—Ralf Seifert
(74) *Attorney, Agent, or Firm*—Katten Muchin Zavis Rosenman

(73) Assignee: **D&W Jewelry, Inc.**, New York, NY (US)

(57) **CLAIM**

(**) Term: **14 Years**

The ornamental design for a multi-faceted jewelry link and chain, as shown and described.

(21) Appl. No.: **29/141,739**

DESCRIPTION

(22) Filed: **May 11, 2001**

(51) **LOC (7) Cl.** **11-01**

(52) **U.S. Cl.** **D11/13; D11/93**

(58) **Field of Search** D11/1-15, 18-20, D11/22-25, 93; 63/3, 4, 9, 21, 38; 59/79.1, 79.3, 78, 83

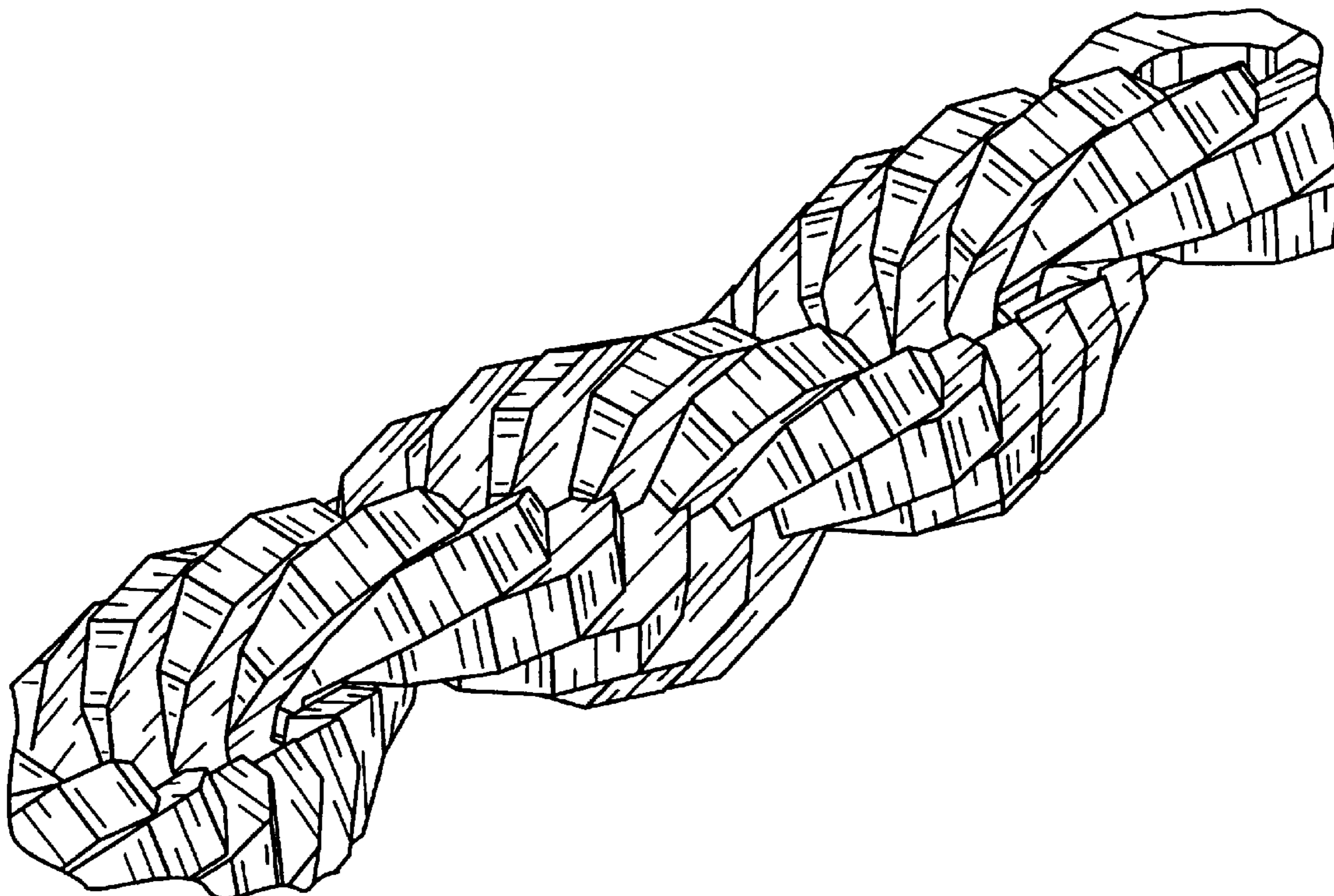
FIG. 1 is a perspective view of a multi-faceted jewelry link showing my new design;
FIG. 2 is a front view thereof;
FIG. 3 is a side elevation thereof;
FIG. 4 is a top view thereof;
FIG. 5 is a bottom view thereof;
FIG. 6 is a perspective view of a multi-faceted jewelry chain formed from the multi-faceted jewelry link of FIGS. 1-5.
FIG. 7 is a perspective view of a multi-faceted jewelry link showing a second embodiment of my new design;
FIG. 8 is a front view of FIG. 7;
FIG. 9 is a side elevational view of FIG. 7;
FIG. 10 is a top view of FIG. 7;
FIG. 11 is a bottom view of FIG. 7; and,
FIG. 12 is a perspective view of a multi-faceted jewelry chain formed from the multi-faceted jewelry link of FIGS. 7-11.

(56) **References Cited**

U.S. PATENT DOCUMENTS

4,996,835 A	3/1991	Rozenwasser	
D321,148 S	10/1991	Chiaramonti	
D340,422 S	10/1993	Grando	
D343,136 S	1/1994	Grando	
D346,131 S	4/1994	Chiaramonti	
5,309,704 A	5/1994	Grando	
5,544,477 A	8/1996	Rozenwasser	
D375,465 S	* 11/1996	Rozenwasser D11/17
5,660,036 A	8/1997	Rozenwasser	

1 Claim, 6 Drawing Sheets



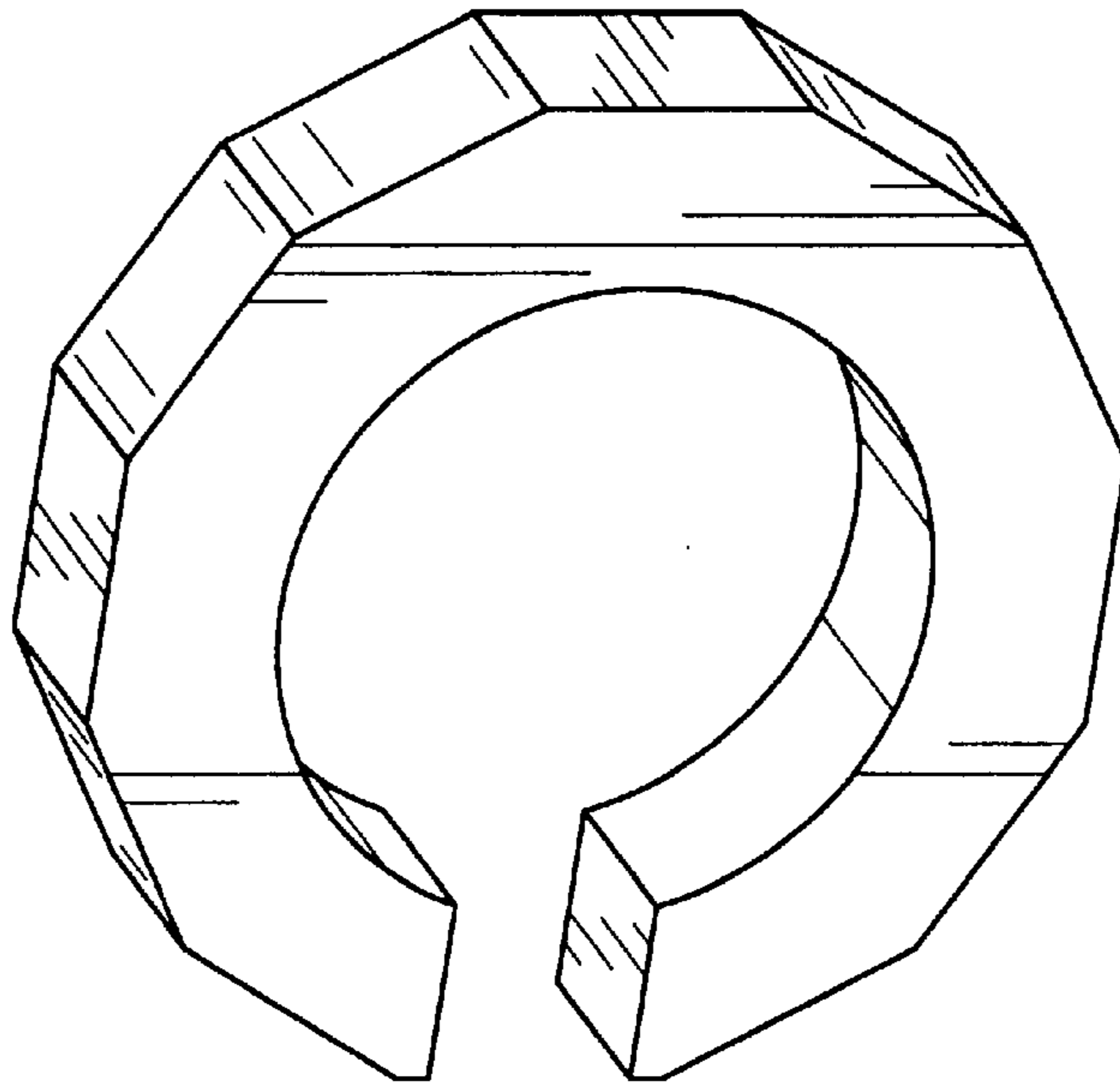


FIG. 1

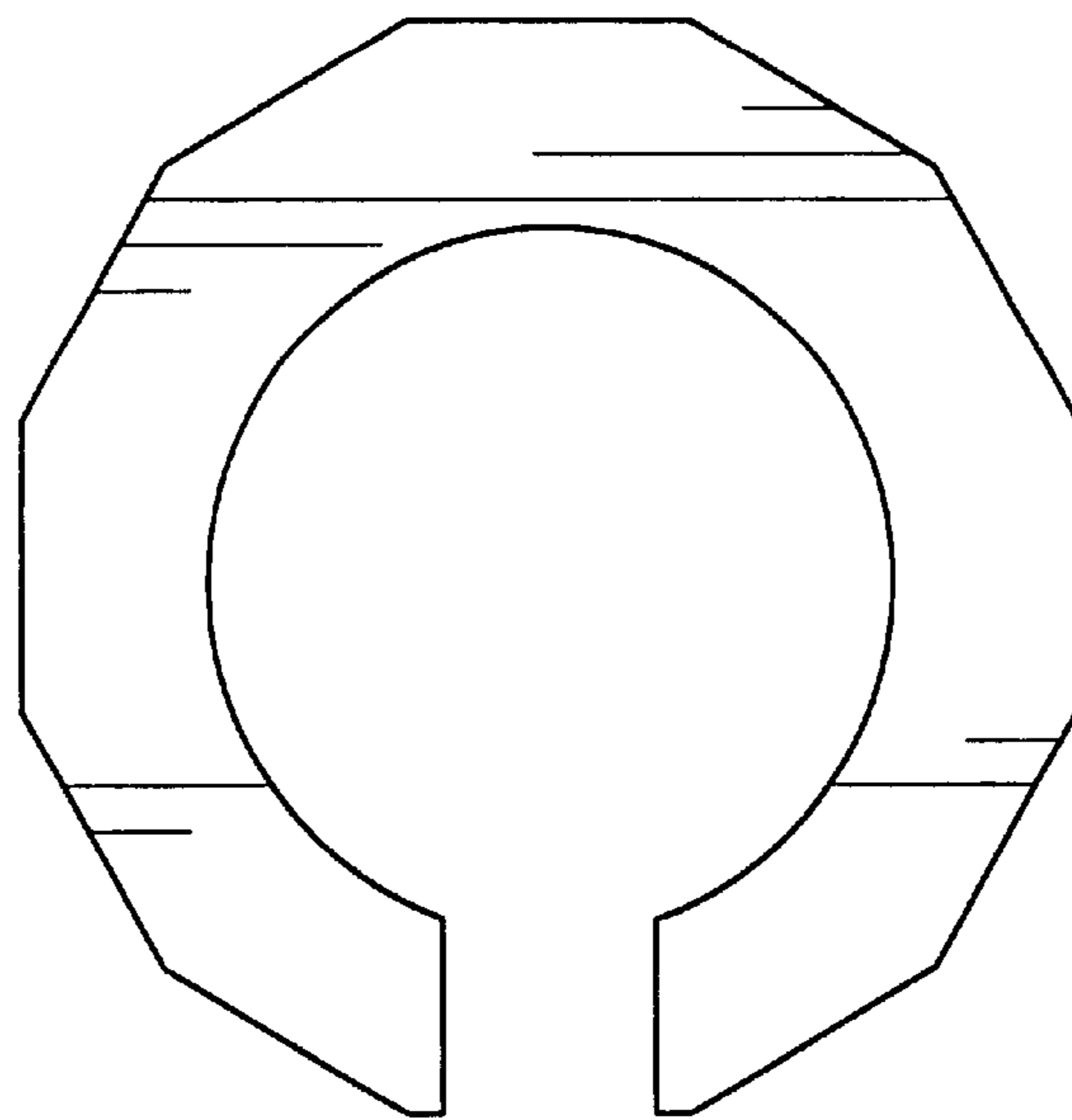


FIG. 2

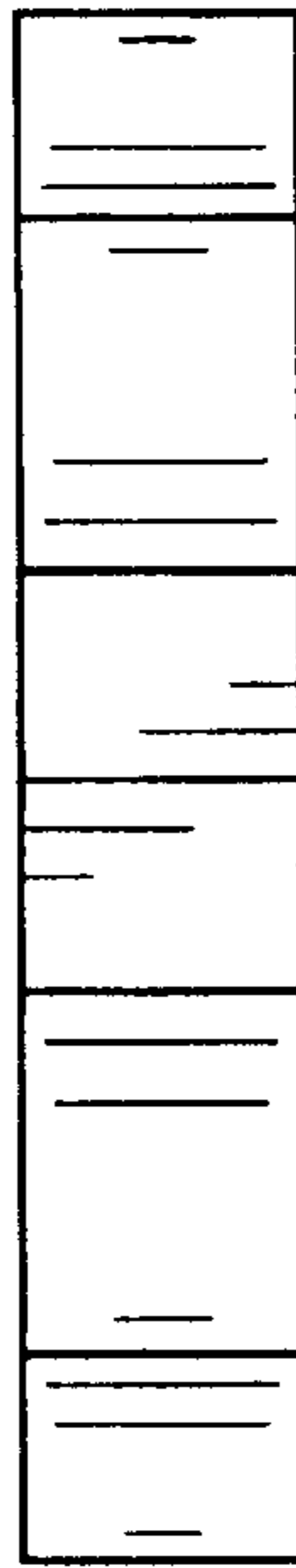


FIG. 3

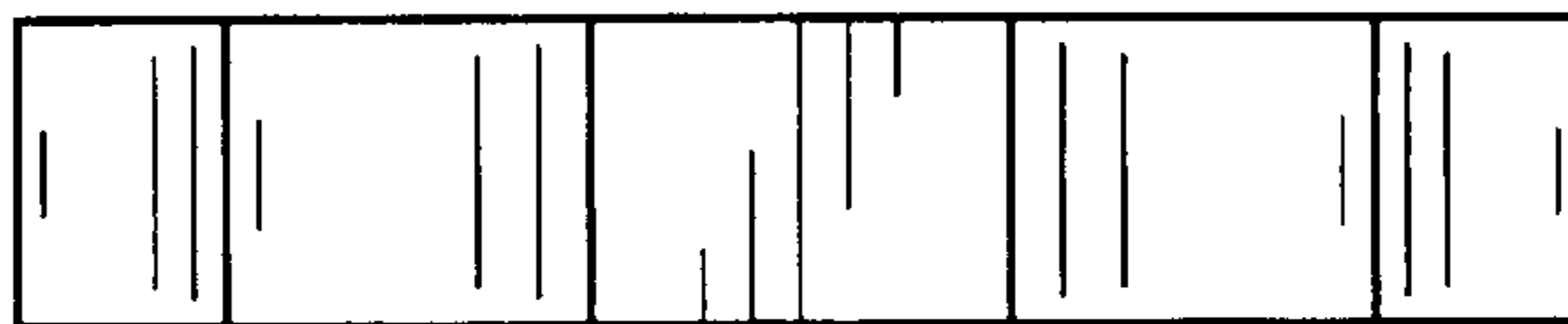


FIG. 4

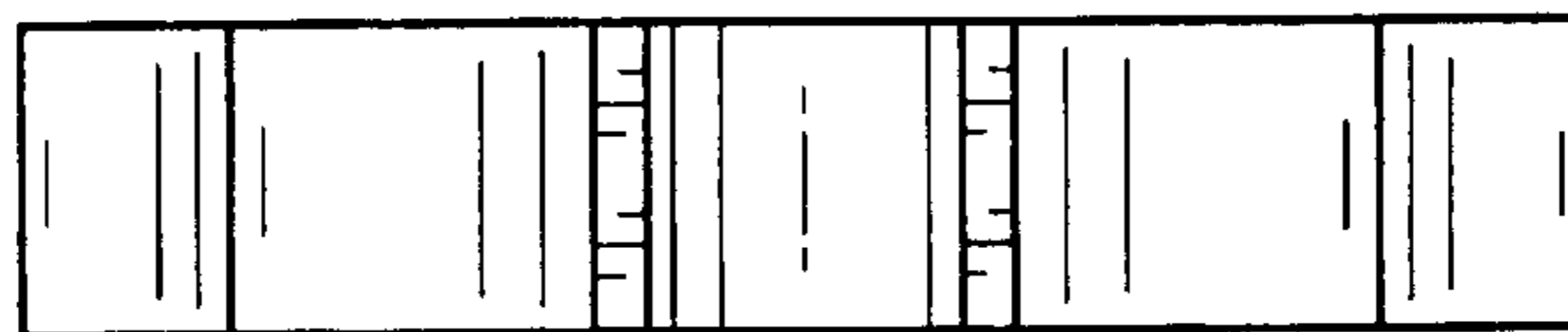


FIG. 5

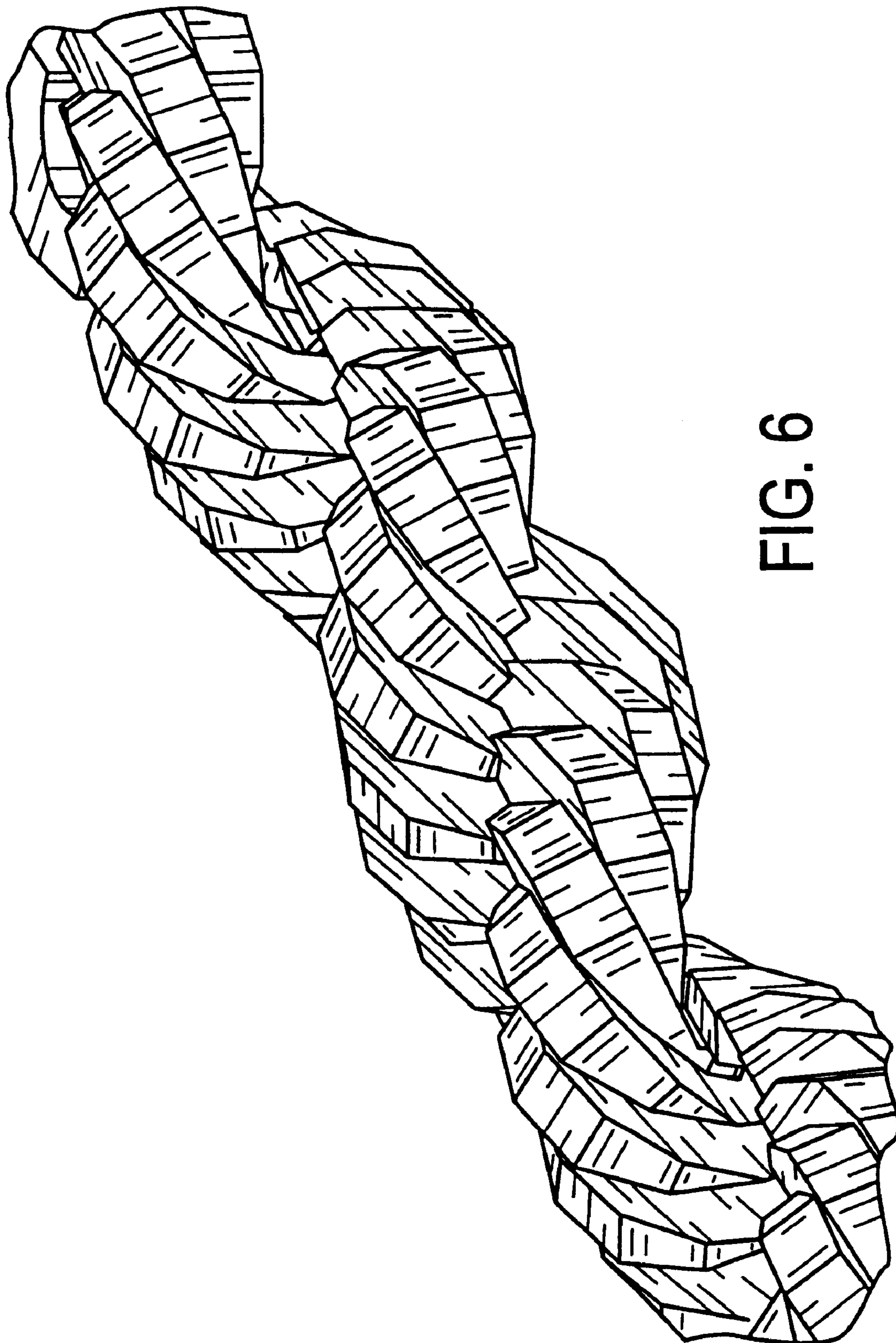


FIG. 6

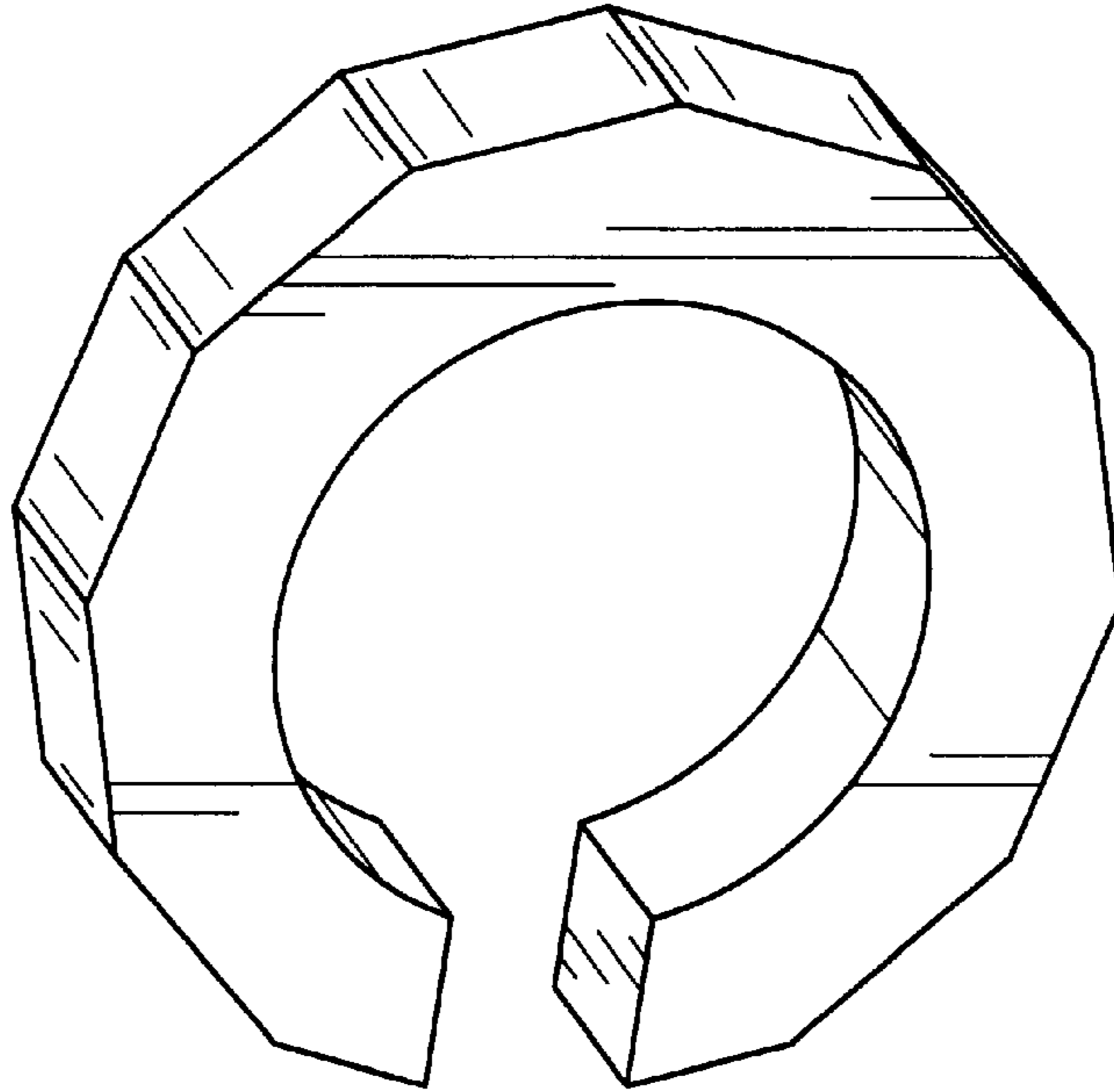


FIG. 7

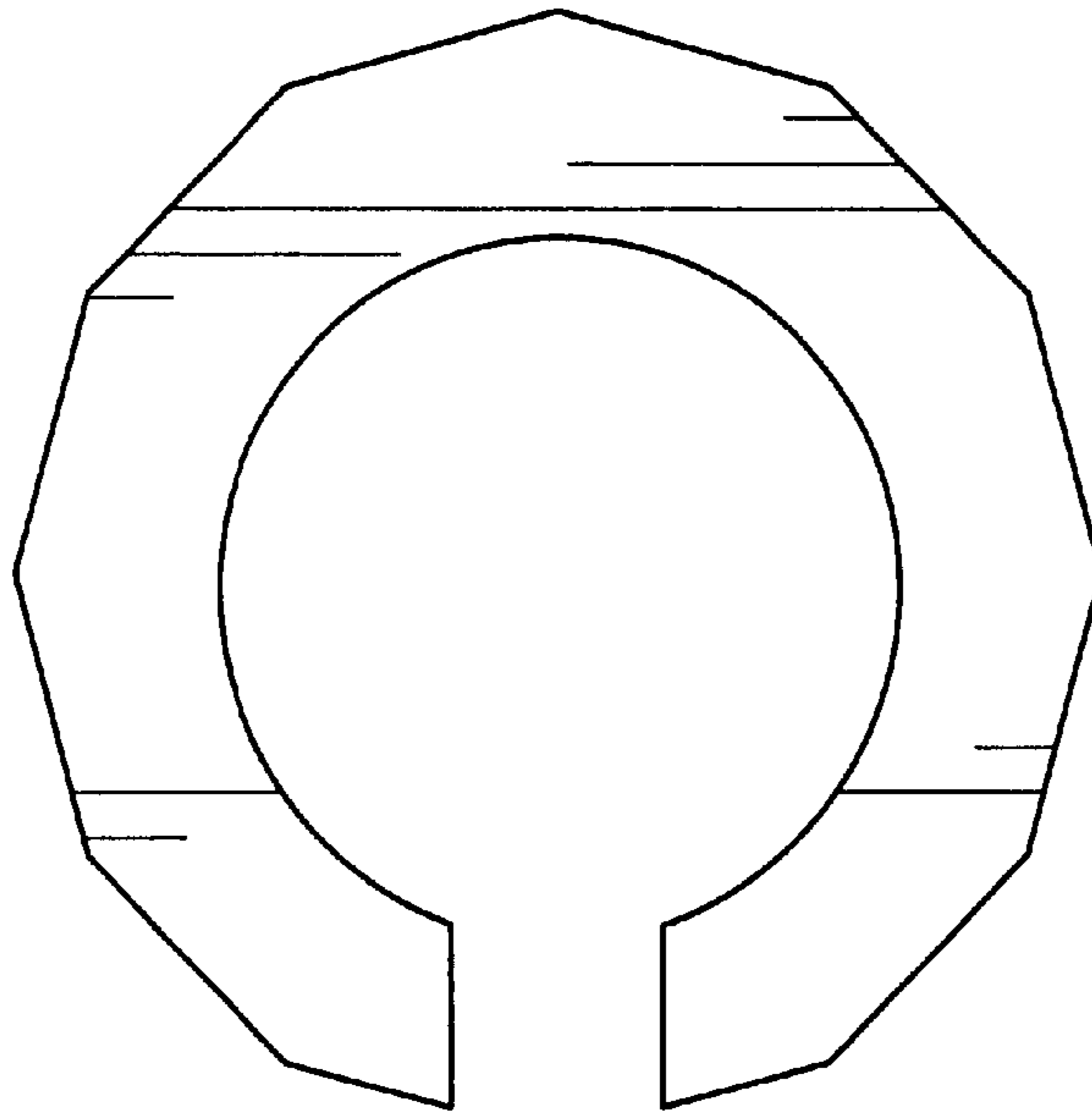


FIG. 8

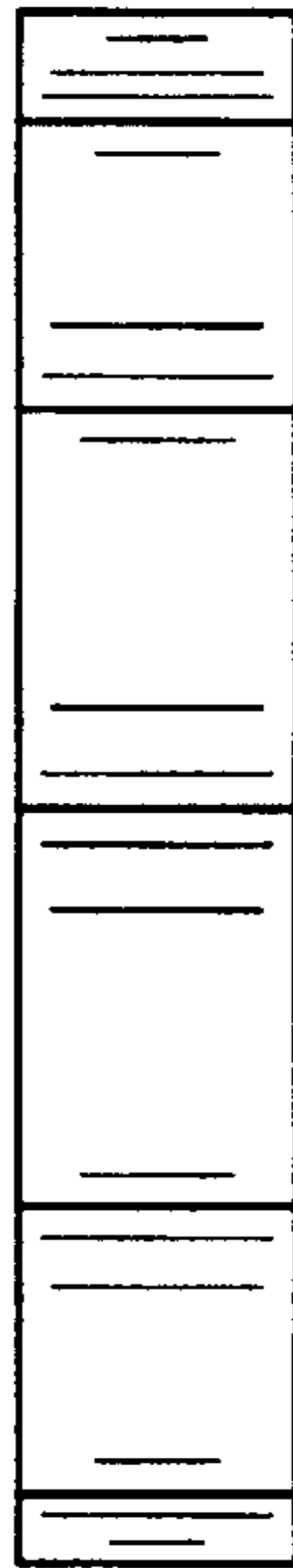


FIG. 9

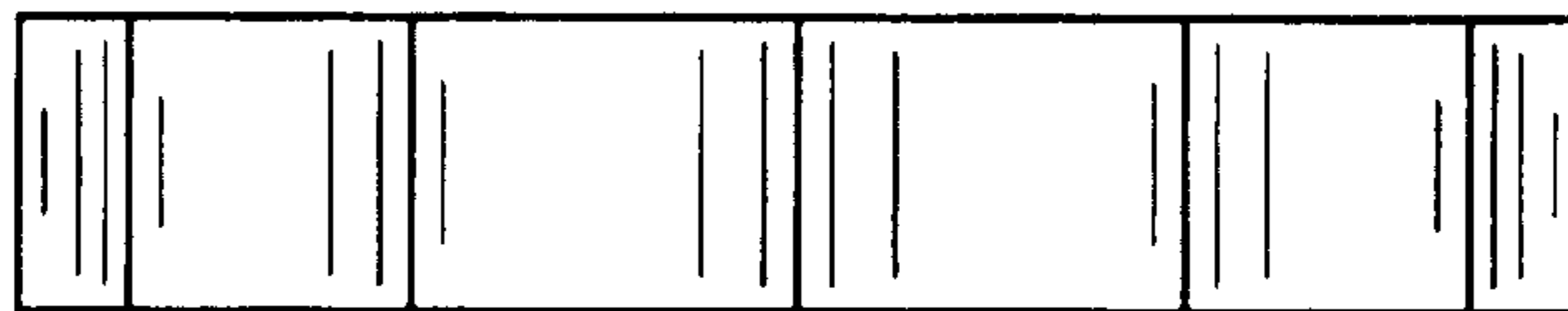


FIG. 10

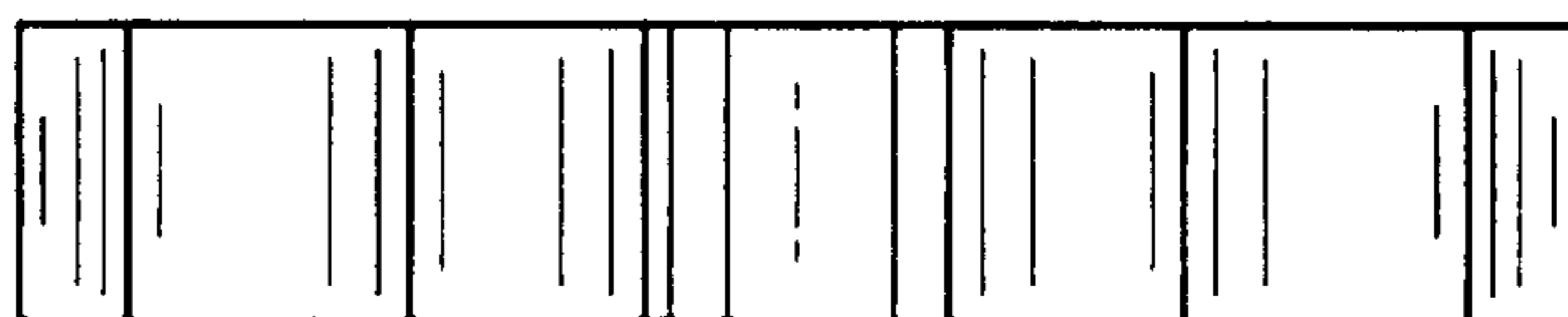


FIG. 11

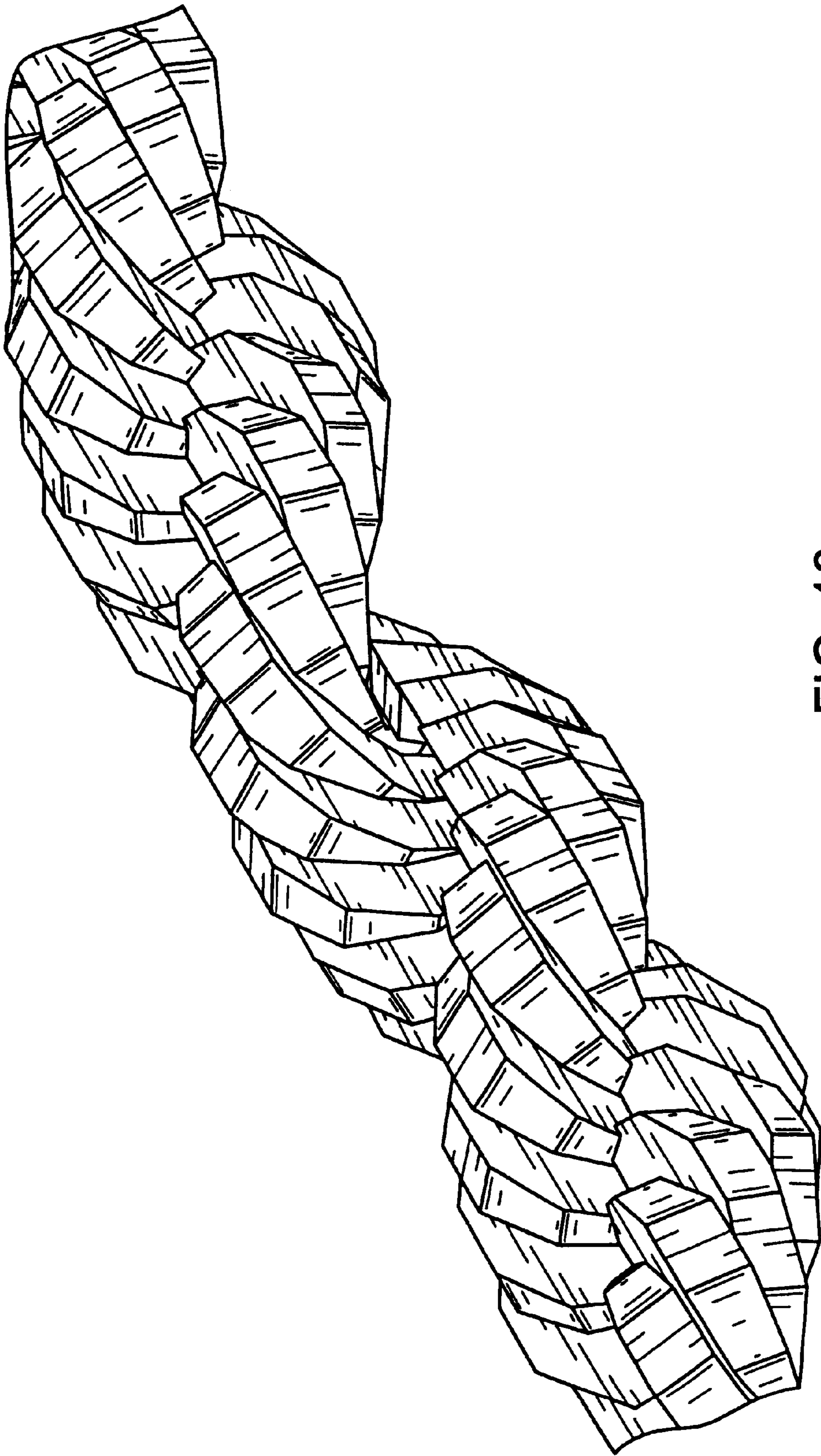


FIG. 12