



US00D483284S

(12) **United States Design Patent**
Chien

(10) **Patent No.:** **US D483,284 S**

(45) **Date of Patent:** **** Dec. 9, 2003**

(54) **WATCH INNER FRAME STRUCTURE**

D461,737 S * 8/2002 Fong Pui Ching D10/129

(75) Inventor: **Ying-Wei Chien**, Taipei (TW)

* cited by examiner

(73) Assignee: **Cherng Wei Precision Co., Ltd**, Taipei (TW)

Primary Examiner—Nelson C. Holtje

(74) *Attorney, Agent, or Firm*—Browdy and Neimark

(**) Term: **14 Years**

(57) **CLAIM**

(21) Appl. No.: **29/162,930**

The ornamental design for a watch inner frame structure, as shown and described.

(22) Filed: **Jun. 25, 2002**

DESCRIPTION

(51) **LOC (7) Cl.** **10-07**

(52) **U.S. Cl.** **D10/129**

(58) **Field of Search** D10/122-132;
368/318, 322-325, 297-300

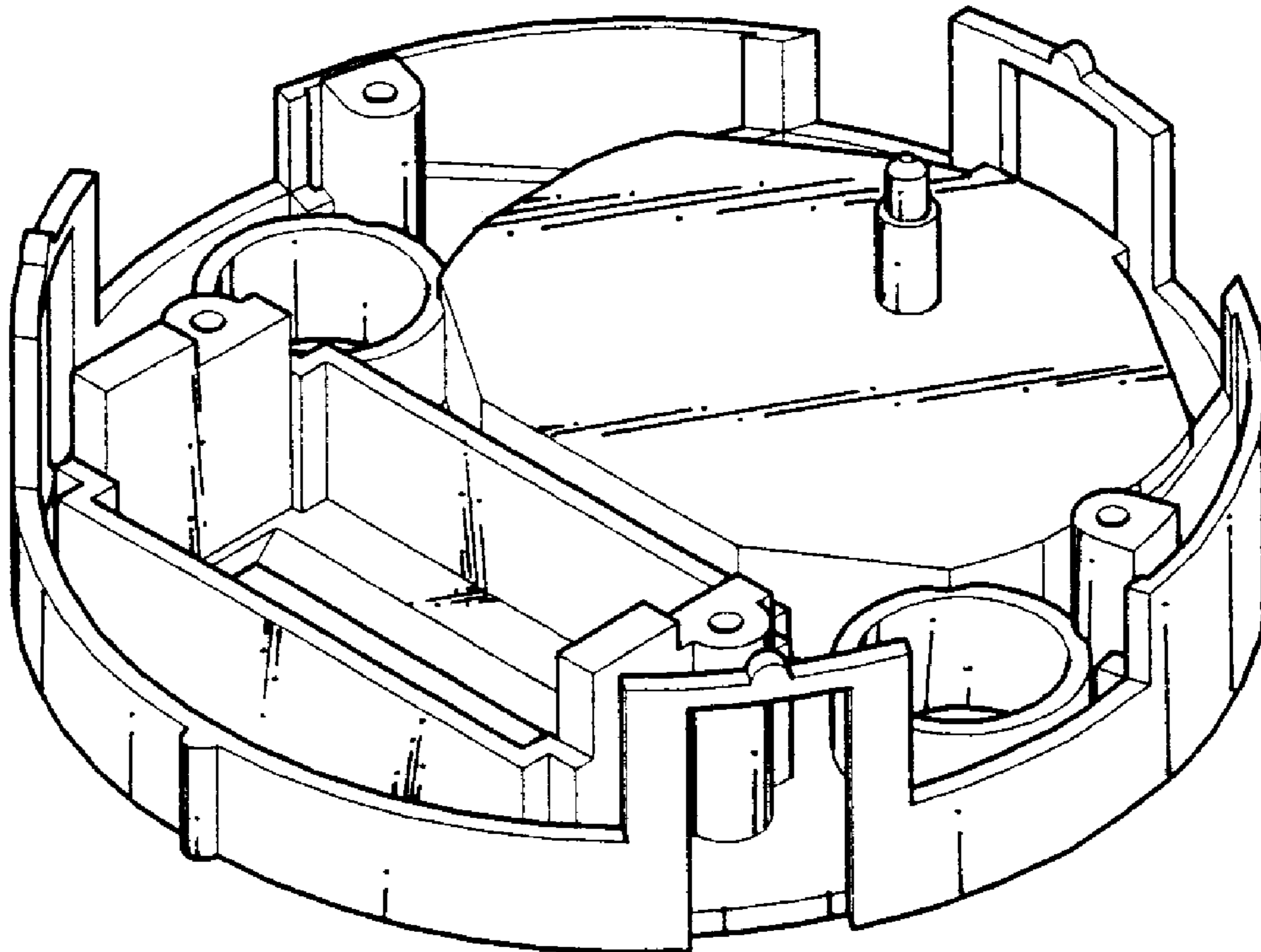
FIG. 1 is a front elevational view of the watch inner frame structure of the present invention;
FIG. 2 is a back elevational view thereof;
FIG. 3 is a left side elevational view thereof;
FIG. 4 is a right side elevational view thereof;
FIG. 5 is a top plan view thereof;
FIG. 6 is a bottom plan view thereof; and,
FIG. 7 is a perspective view thereof.

(56) **References Cited**

U.S. PATENT DOCUMENTS

D26,266 S * 11/1896 Floyd D10/129
D250,179 S * 11/1978 Vallandigham et al. D10/129

1 Claim, 4 Drawing Sheets



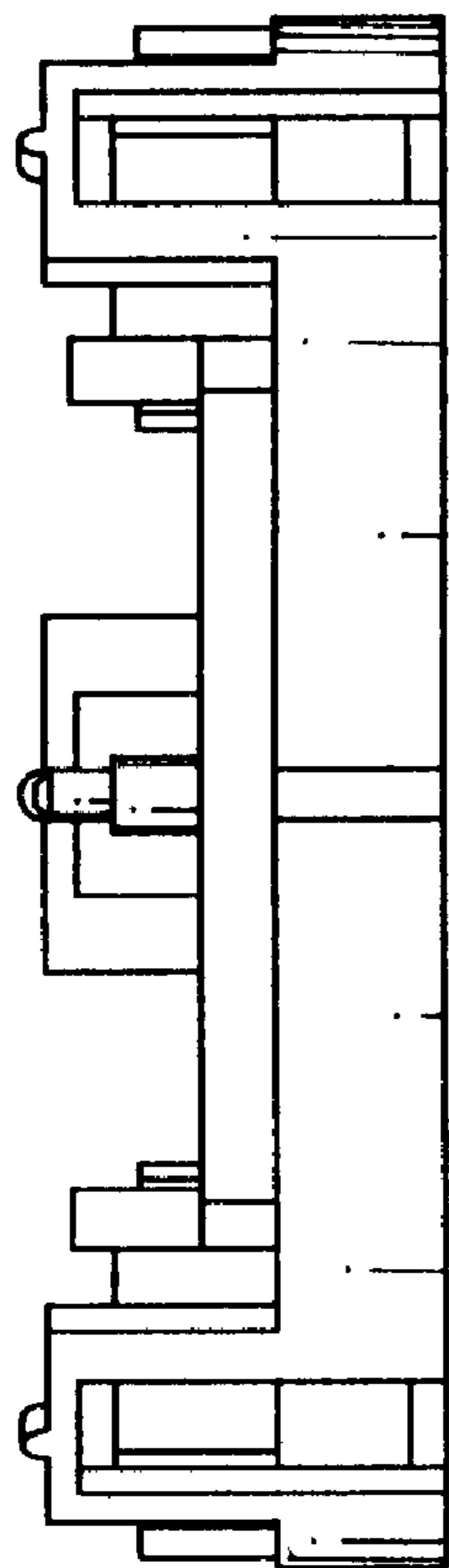


FIG. 1

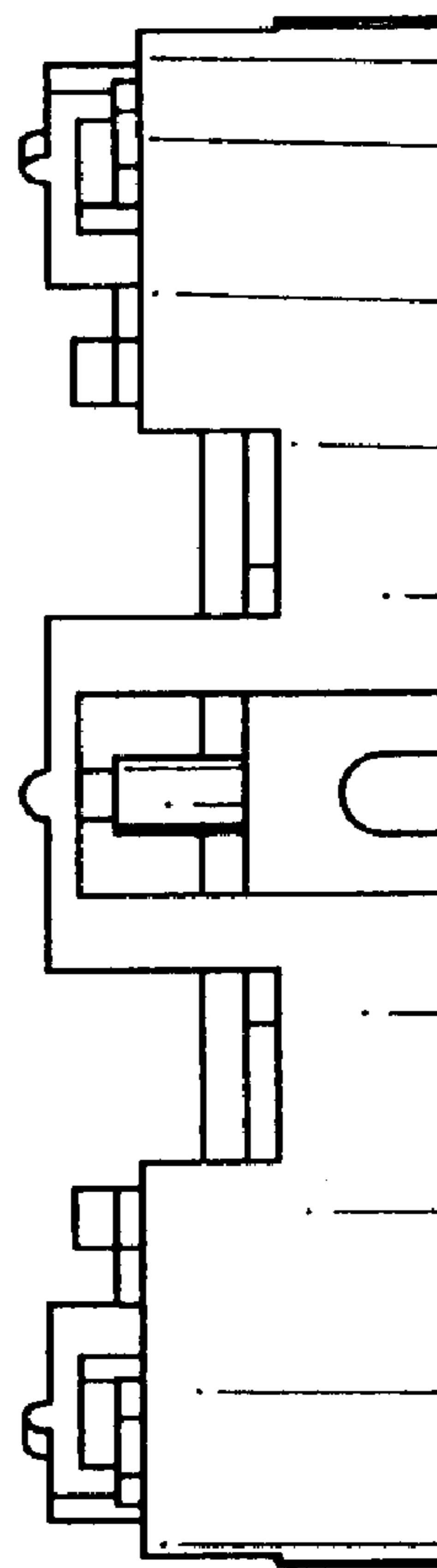


FIG. 2

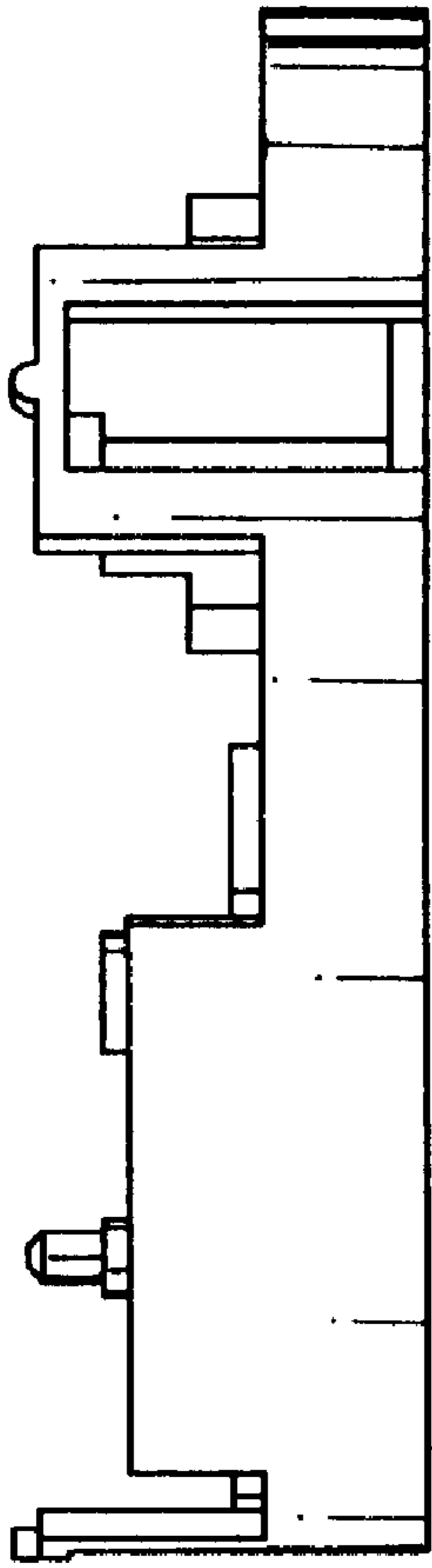


FIG. 3

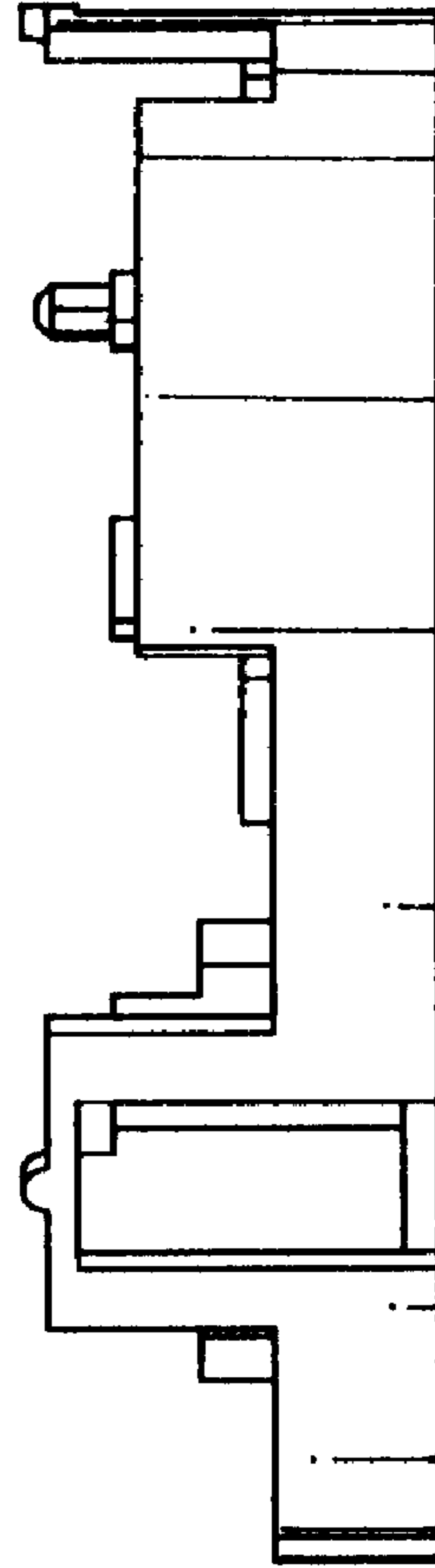


FIG. 4

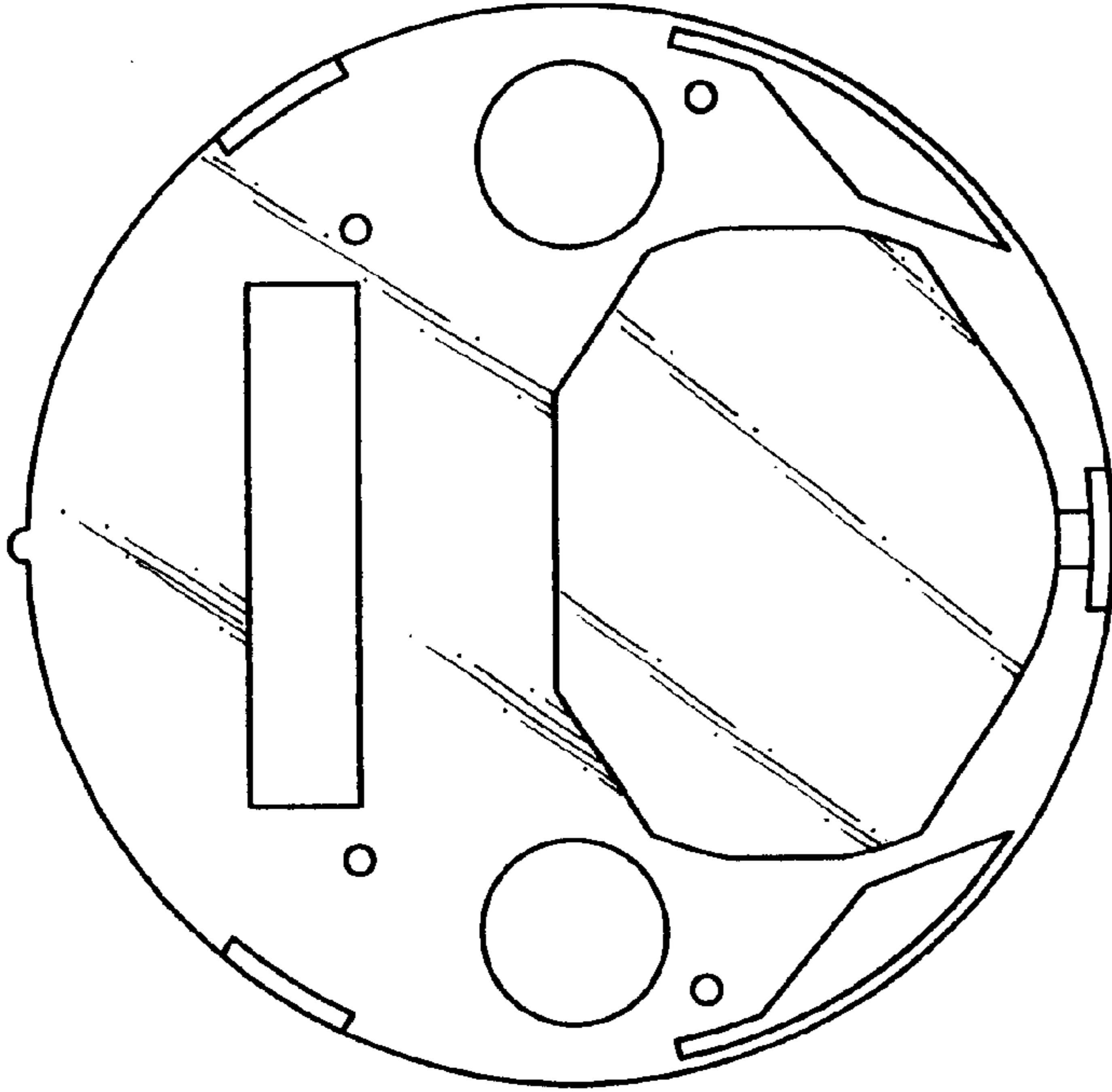


FIG. 6

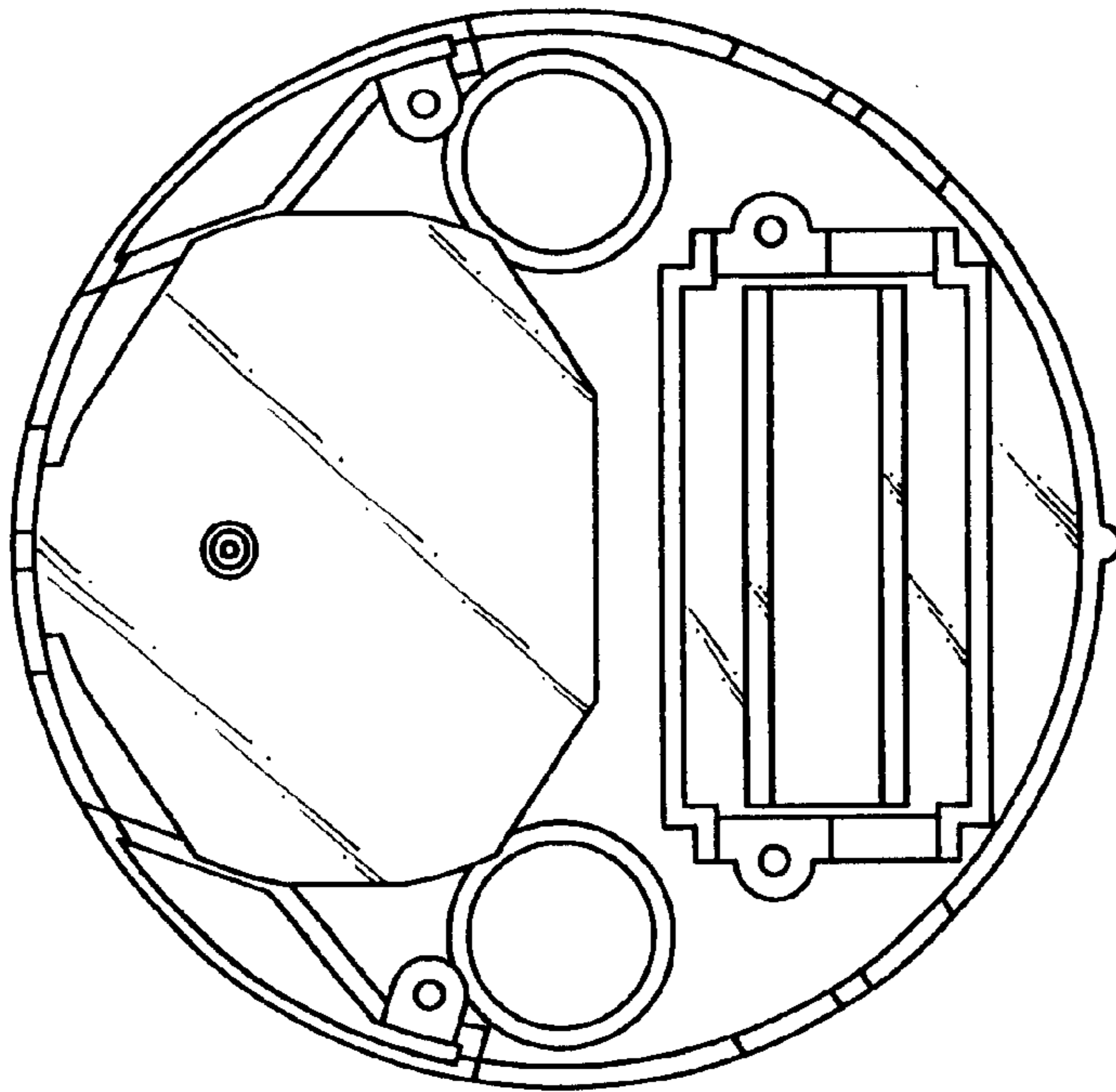


FIG. 5

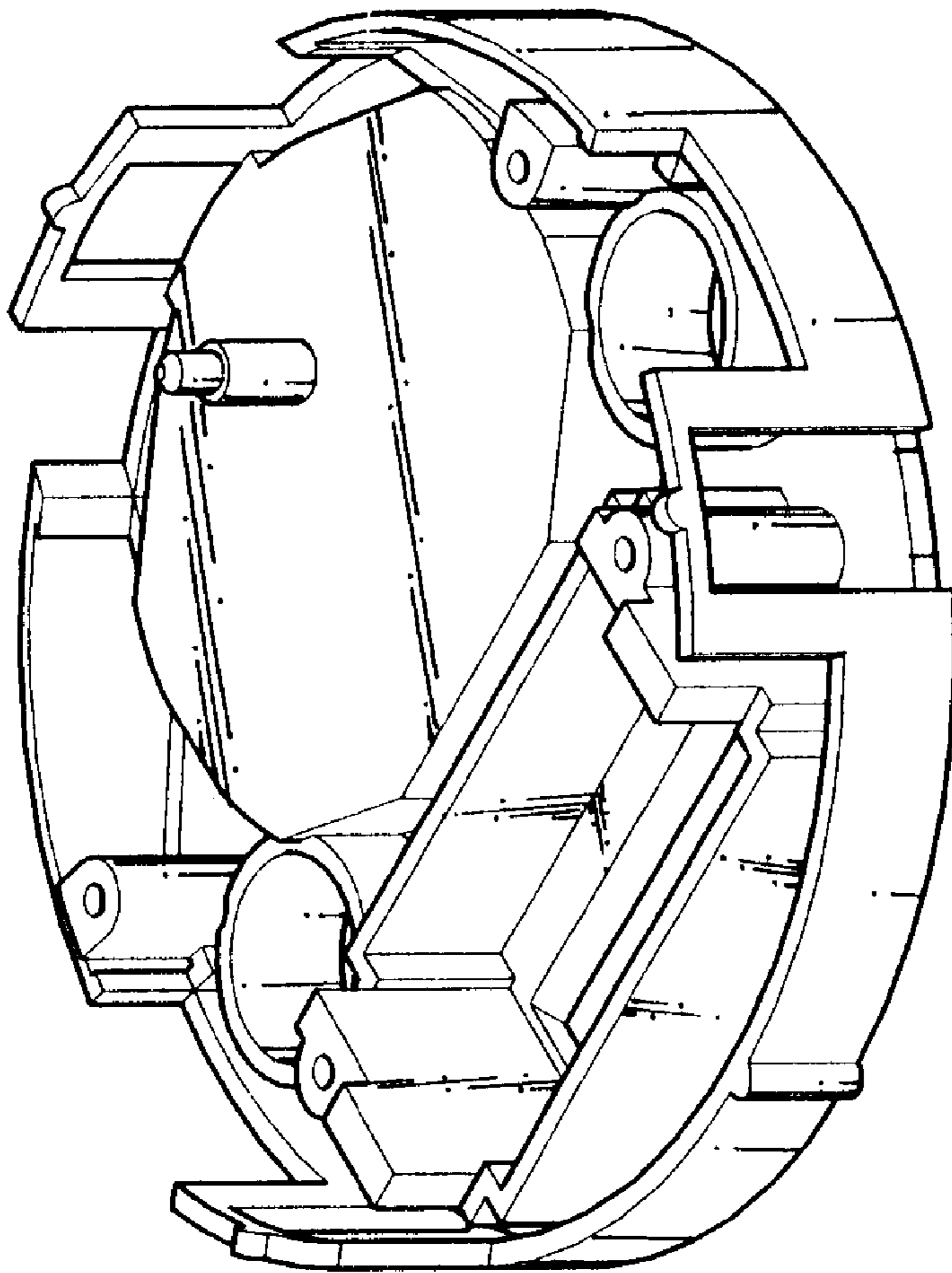


FIG. 7