



US00D483278S

(12) **United States Design Patent**
Kurmlavage

(10) **Patent No.:** **US D483,278 S**

(45) **Date of Patent:** **** Dec. 9, 2003**

(54) **ROLLER GRILL DEVICE**

(75) Inventor: **Michael M. Kurmlavage**, Lansdowne, PA (US)

(73) Assignee: **Spirit Specialty Solutions, Inc.**, Lansdowne, PA (US)

(**) Term: **14 Years**

(21) Appl. No.: **29/169,616**

(22) Filed: **Oct. 24, 2002**

4,086,813 A 5/1978 Meek et al.
4,633,772 A 1/1987 Bowden et al.
5,620,255 A 4/1997 Cook, III
6,123,013 A 9/2000 Ruggiero
D441,307 S * 5/2001 Kurmiavage D10/57

* cited by examiner

Primary Examiner—Antoine Duval Davis

(74) *Attorney, Agent, or Firm*—Smith Patent Office

(57) **CLAIM**

The ornamental design for the roller grill device, as shown and described.

Related U.S. Application Data

(63) Continuation-in-part of application No. 09/845,835, filed on May 1, 2001, now Pat. No. 6,474,223, which is a continuation-in-part of application No. 29/127,846, filed on Aug. 15, 2000, now Pat. No. Des. 441,307, which is a continuation of application No. 09/280,815, filed on Mar. 30, 1999, now Pat. No. 6,101,927.

(51) **LOC (7) Cl.** **10-04**

(52) **U.S. Cl.** **D10/57**

(58) **Field of Search** D10/57; 99/342, 99/343, 344, 393, 395; 374/141, 179, 157, 180, 208

(56) **References Cited**

U.S. PATENT DOCUMENTS

1,272,318 A 7/1918 Rodgers
2,344,853 A 3/1944 Haes

DESCRIPTION

FIG. 1 is a perspective view of a roller grill device according to an embodiment of my new design;

FIG. 2 is a rear view of the roller grill device according to the embodiment of FIG. 1;

FIG. 3 is a top view of the roller grill device according to the embodiment of FIG. 1;

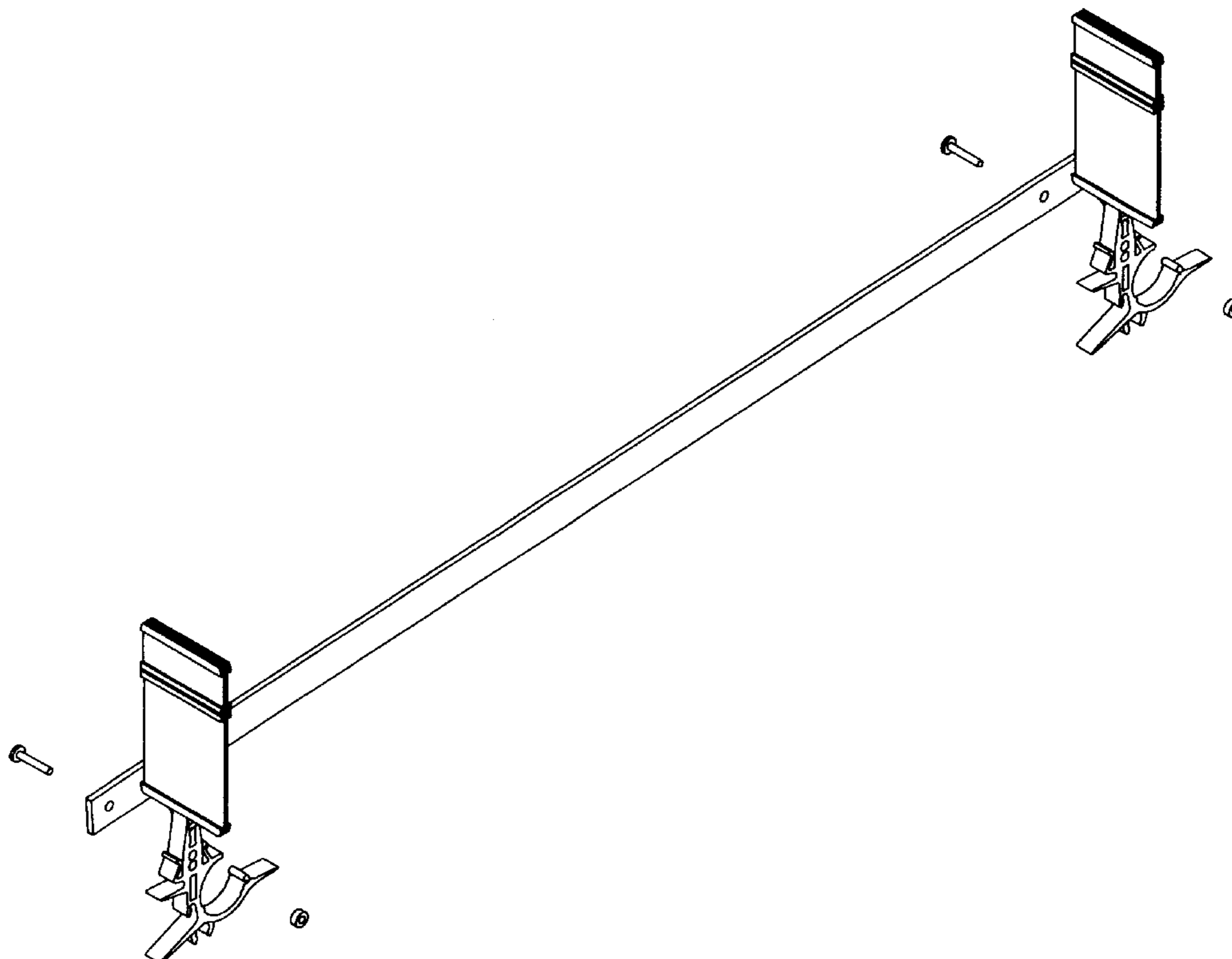
FIG. 4 is a front view of the grill device according to the embodiment of FIG. 1;

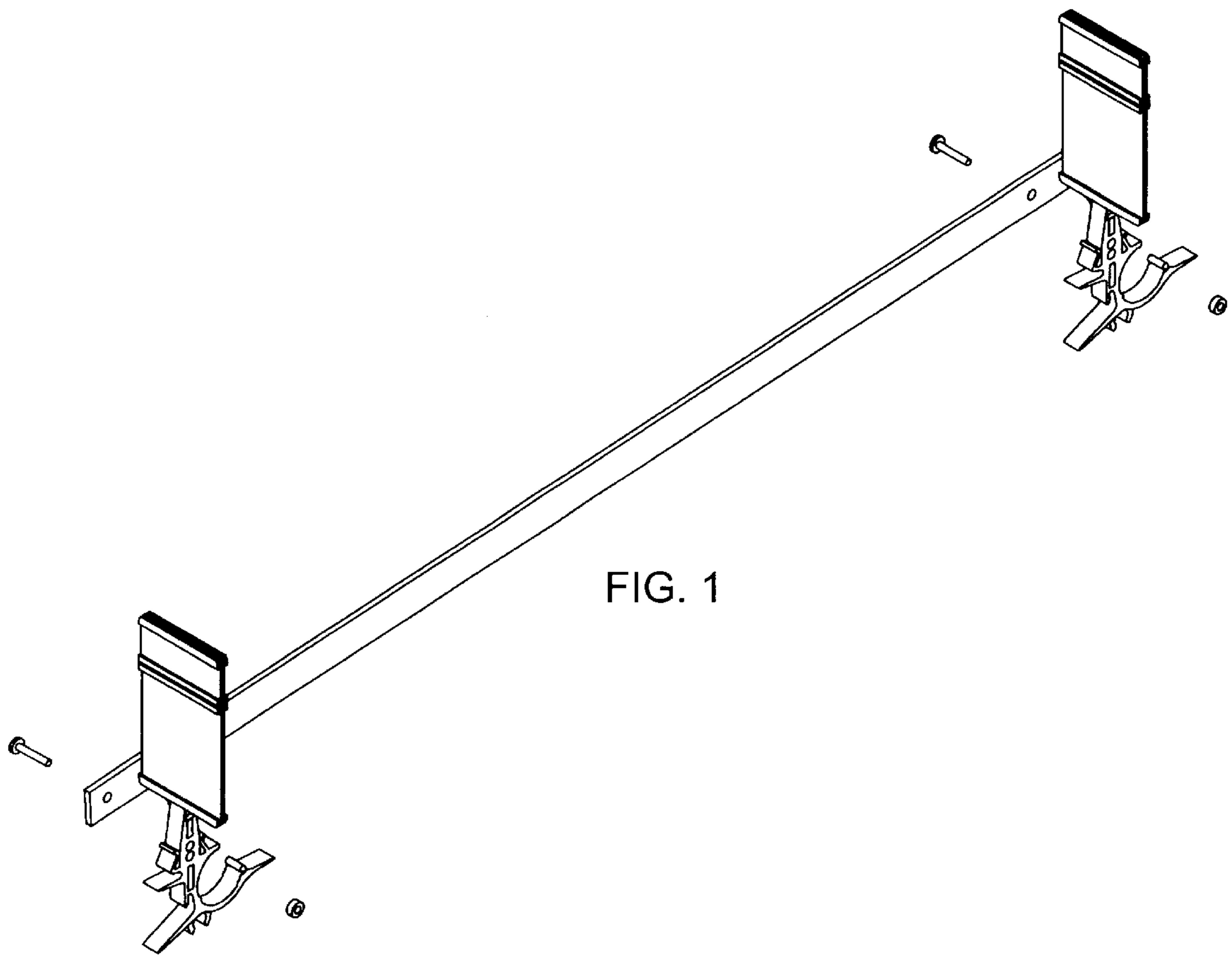
FIG. 5 is a bottom view of the grill device according to the embodiment of FIG. 1;

FIG. 6 is a left view of the grill device according to the embodiment of FIG. 1; and,

FIG. 7 is a right view of the grill device according to the embodiment of FIG. 1.

1 Claim, 5 Drawing Sheets





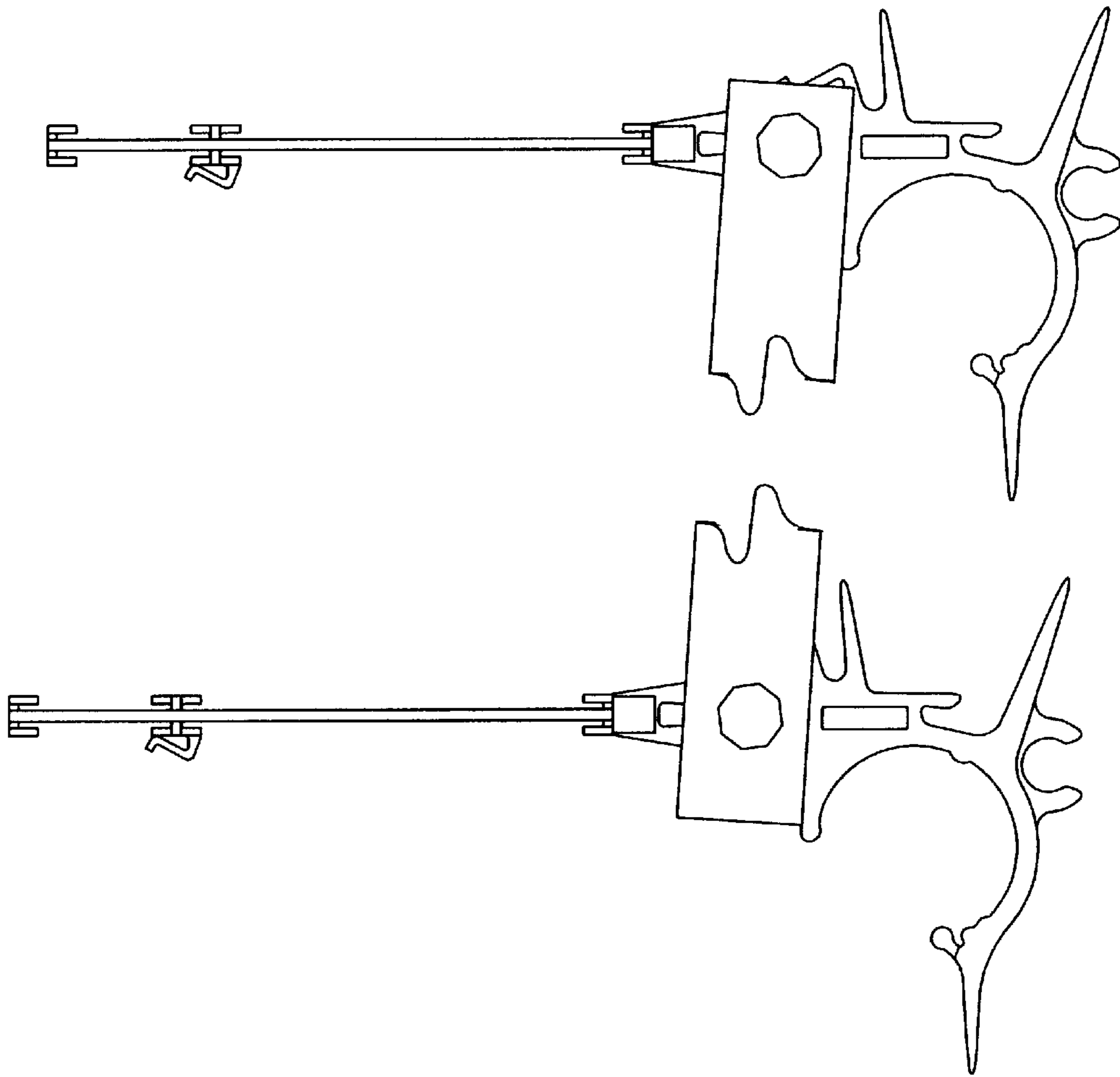


FIG. 2

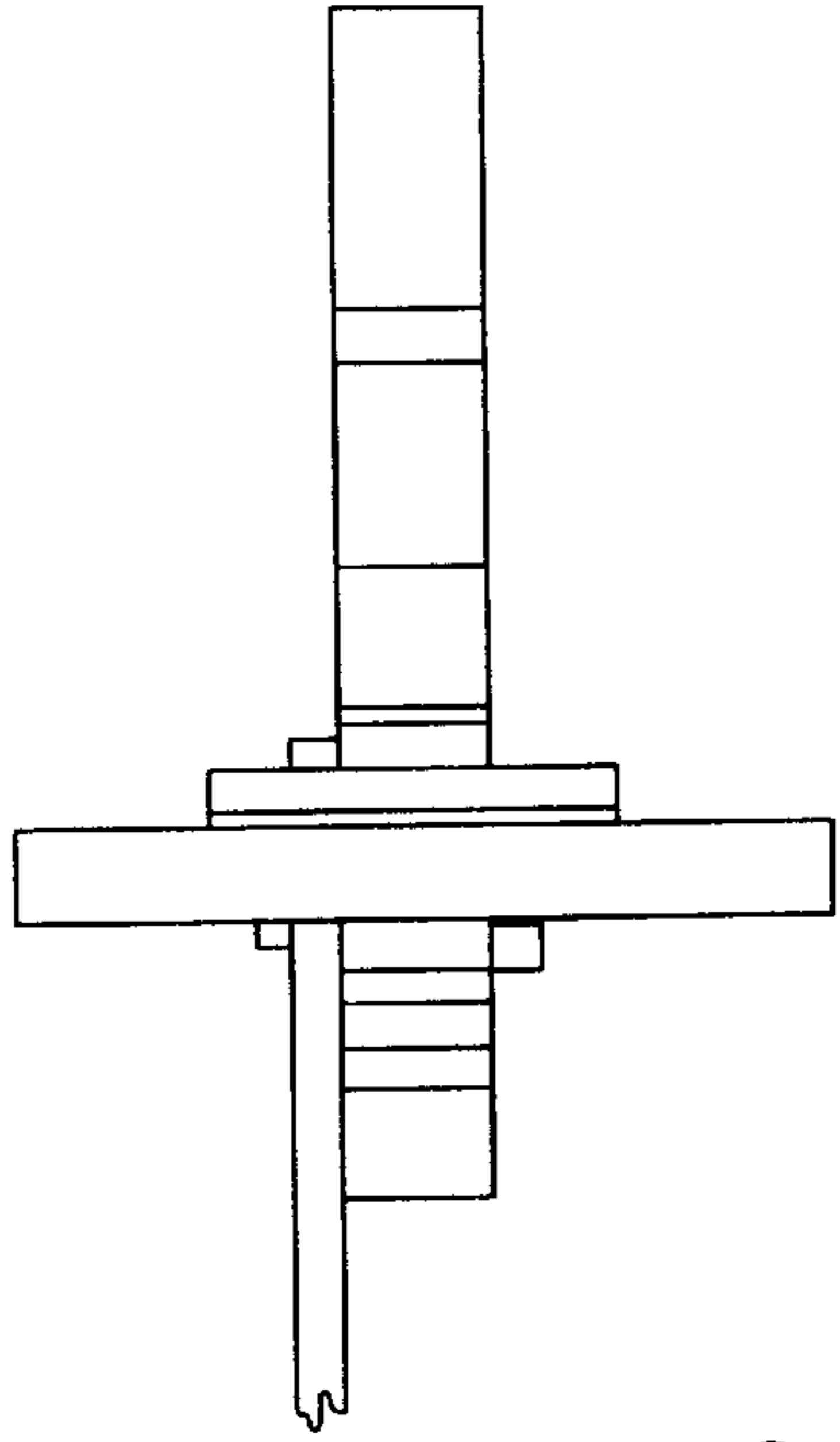


FIG. 3

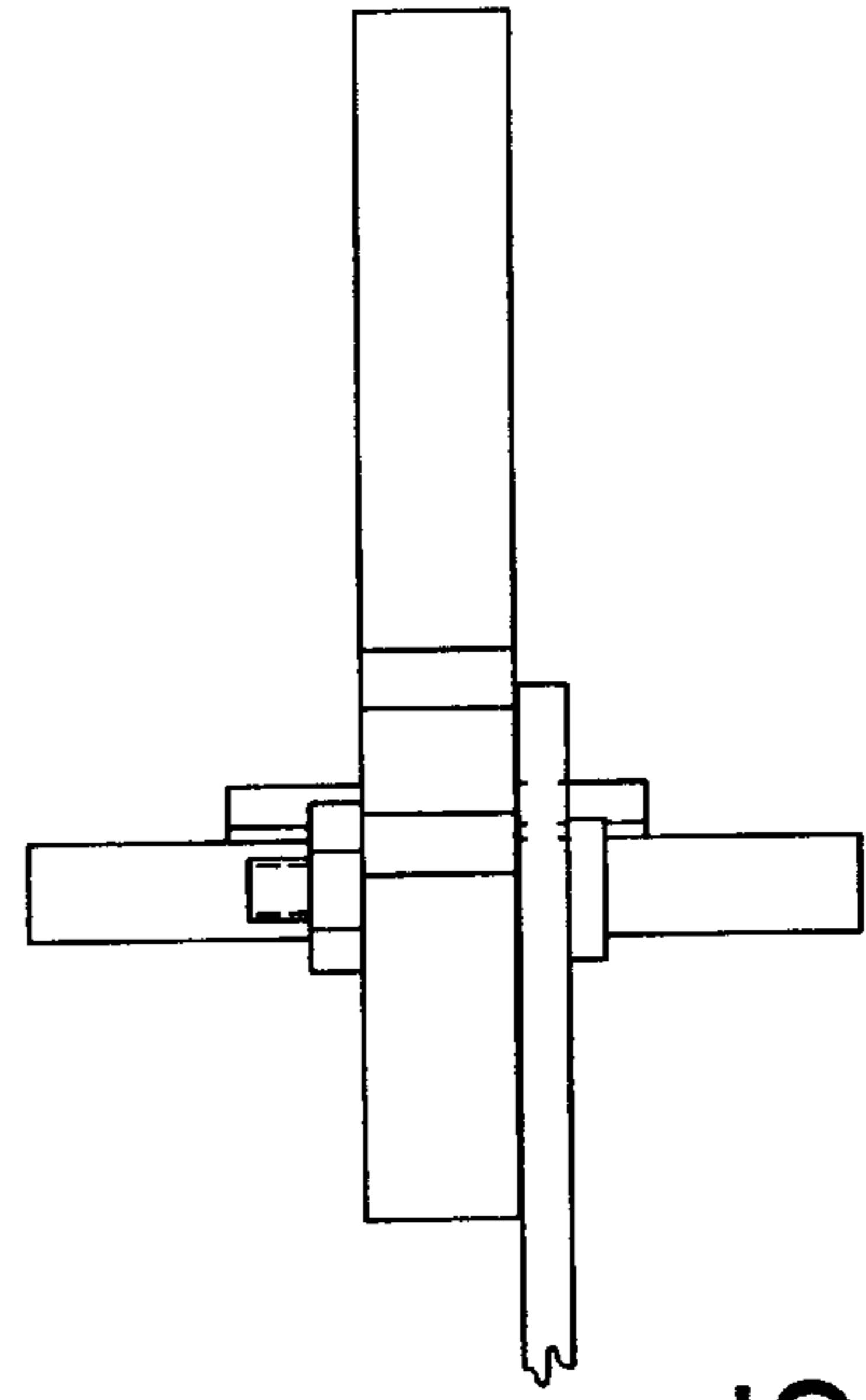
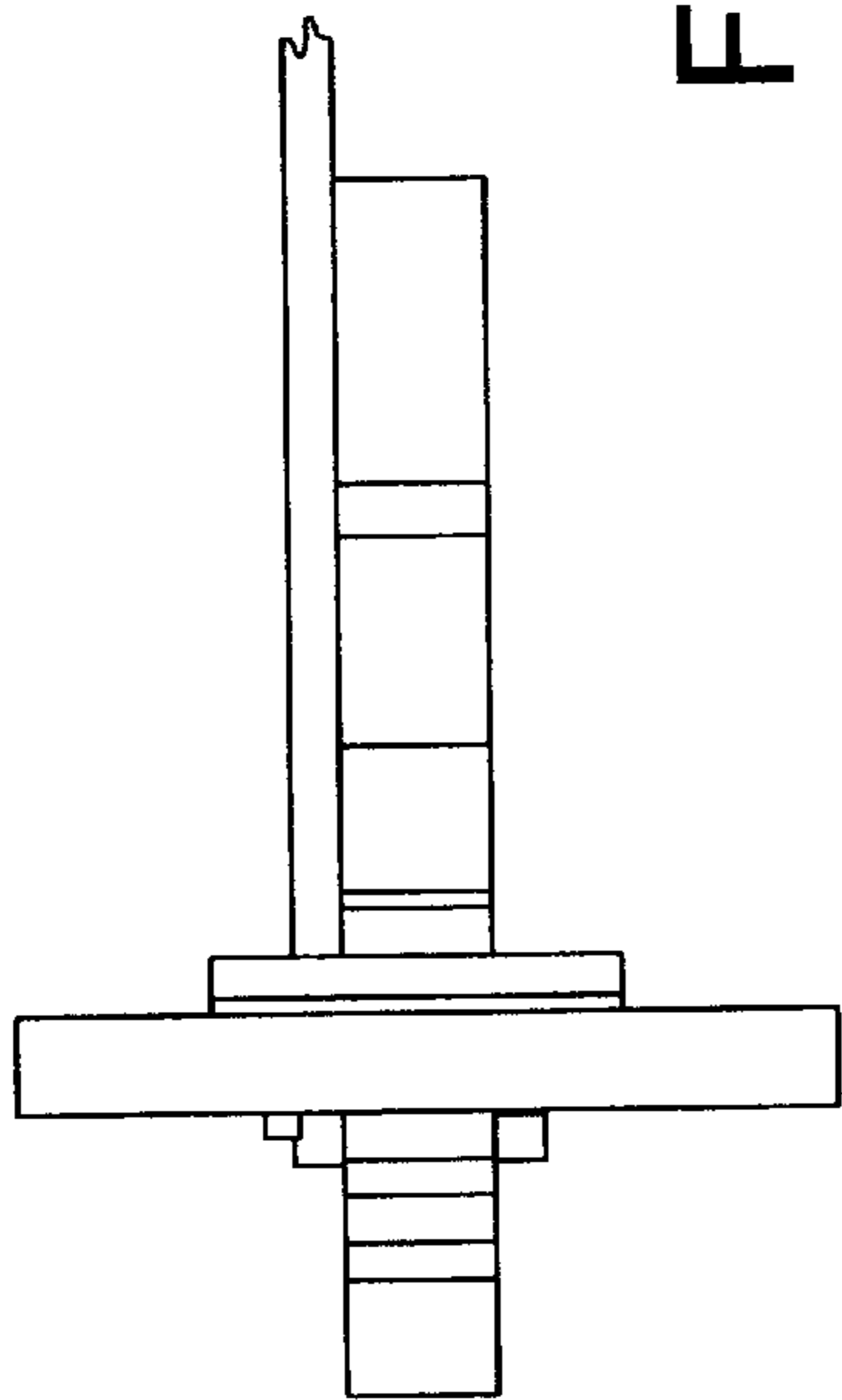
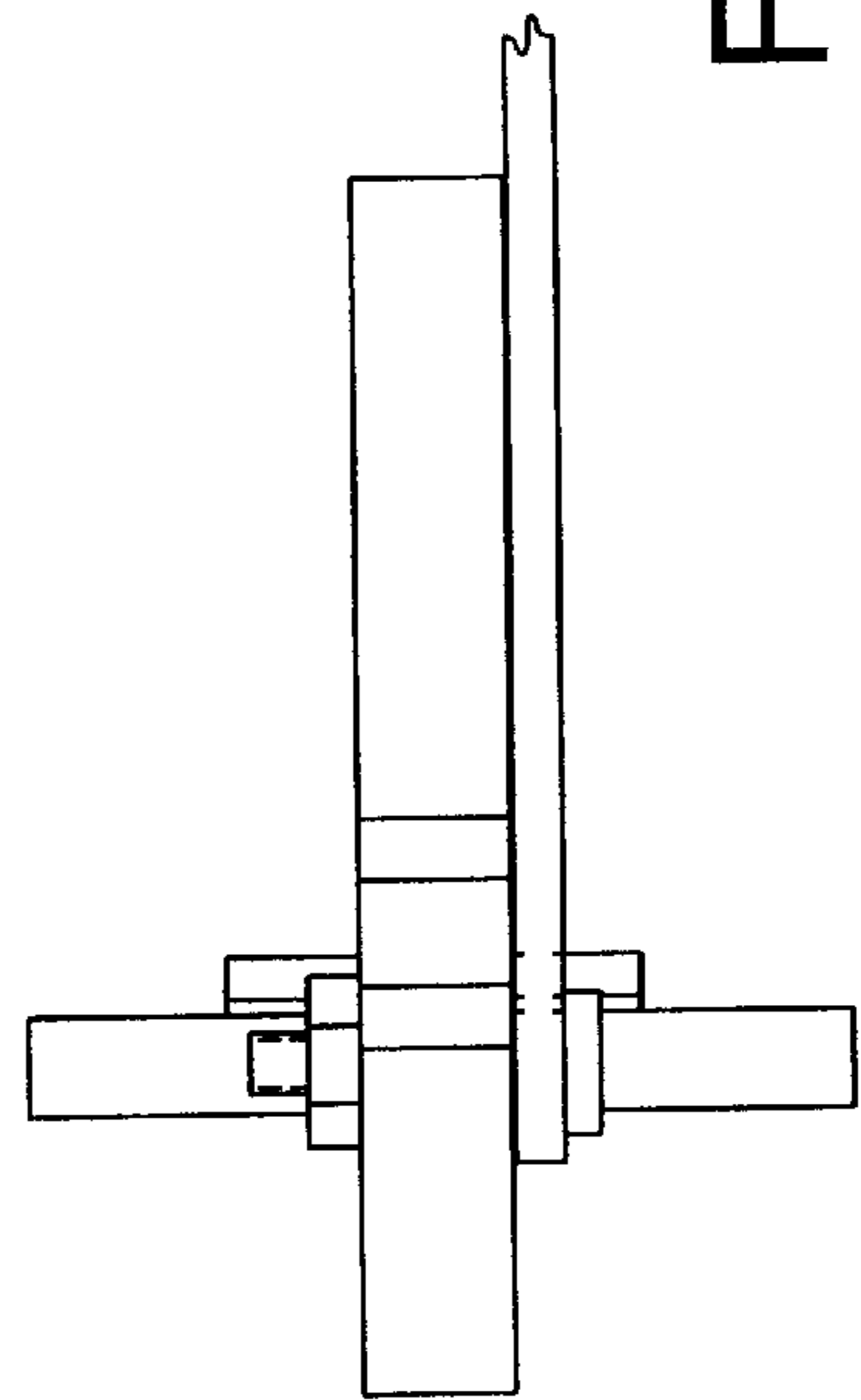


FIG. 5



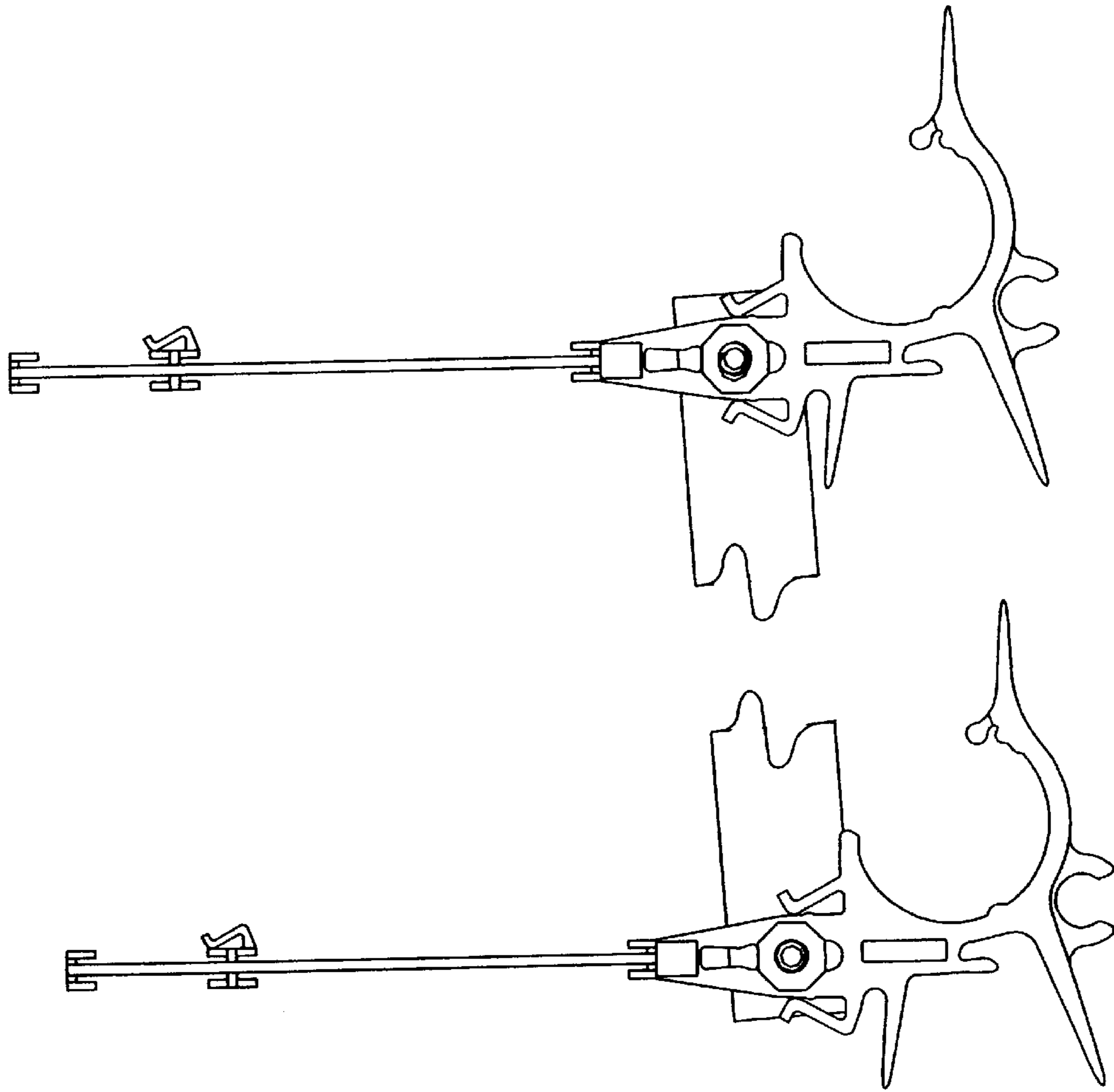


FIG. 4

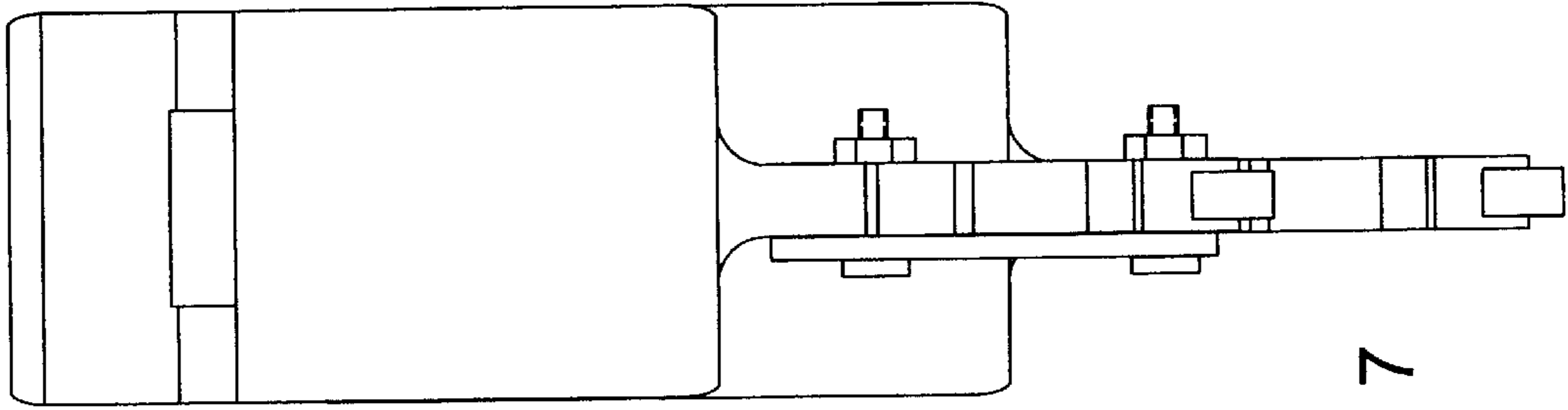


FIG. 7

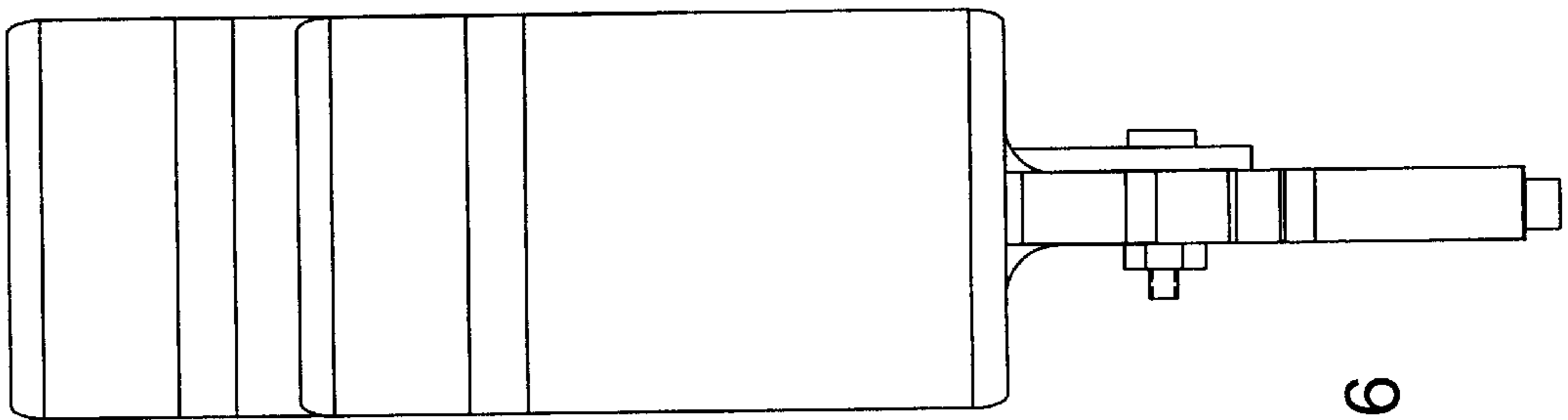


FIG. 6