



US00D483276S

(12) **United States Design Patent**
Schabbach

(10) **Patent No.:** **US D483,276 S**

(45) **Date of Patent:** **** Dec. 9, 2003**

(54) **DISPLAY DEVICE**

D344,465 S * 2/1994 Brew et al. D10/96 X
D427,923 S * 7/2000 Jonsson et al. D10/85

(75) Inventor: **Wolfgang Schabbach**, Saarbrücken
(DE)

* cited by examiner

(73) Assignee: **Hydac Electronic GmbH**, Saarbrücken
(DE)

Primary Examiner—Antoine Duval Davis
(74) *Attorney, Agent, or Firm*—Roylance, Abrams, Berdo
& Goodman, LLP

(**) Term: **14 Years**

(21) Appl. No.: **29/167,650**

(22) Filed: **Sep. 19, 2002**

(30) **Foreign Application Priority Data**

Mar. 22, 2002 (DE) 4 02 02 755

(51) **LOC (7) Cl.** **10-04**

(52) **U.S. Cl.** **D10/46; D10/52; D10/96;**
D10/103

(58) **Field of Search** D10/83, 85, 95,
D10/46, 52, 96, 103; 73/1.01, 431; 374/208

(56) **References Cited**

U.S. PATENT DOCUMENTS

D336,252 S * 6/1993 Klose D10/52

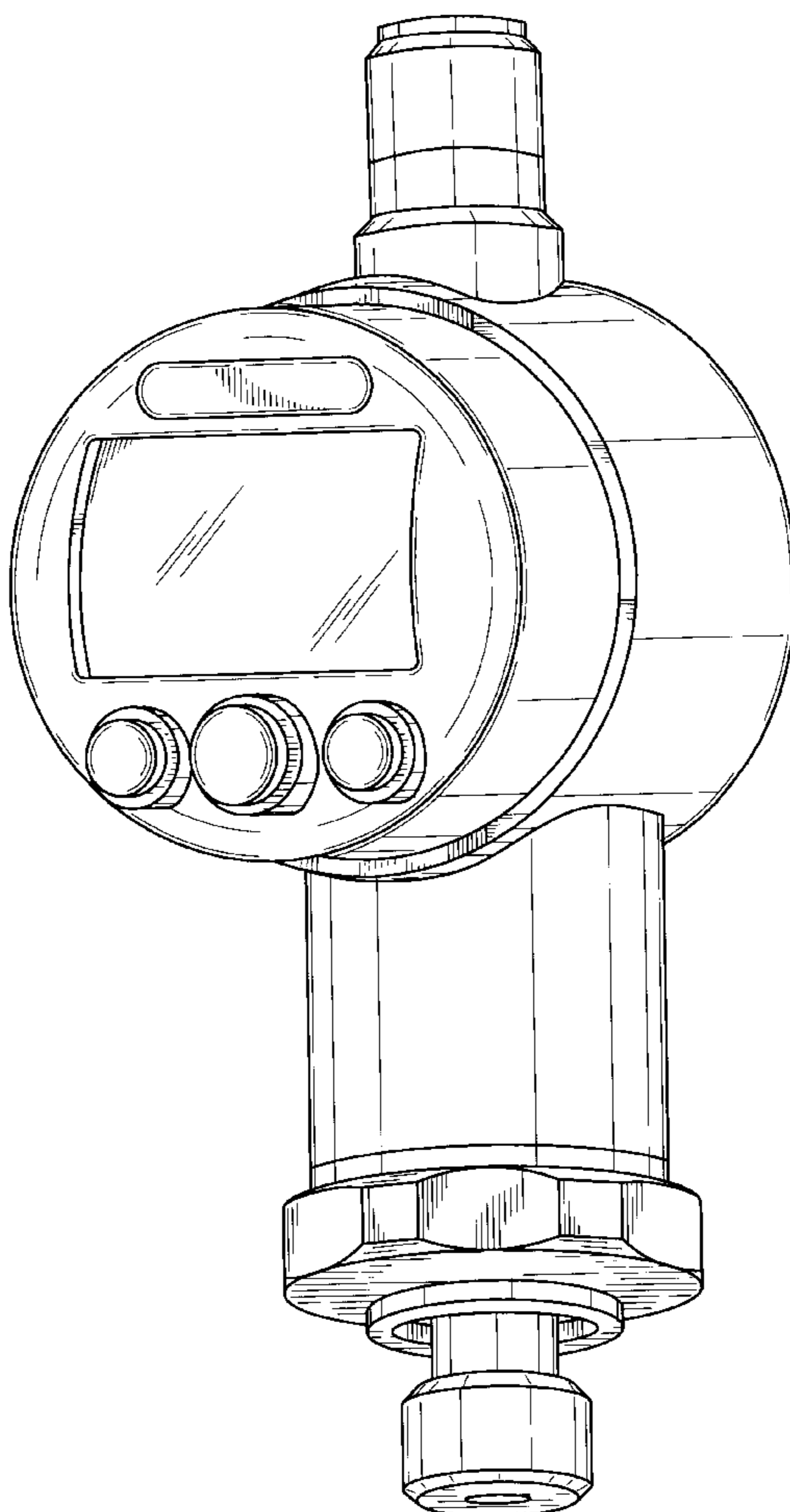
(57) **CLAIM**

The ornamental design for a display device, as shown and described.

DESCRIPTION

FIG. 1 is a perspective view of a display device embodying my design;
FIG. 2 is a front view of the display device of FIG. 1;
FIG. 3 is a rear view of the display device of FIG. 1;
FIG. 4 is a right side view of the display device of FIG. 1;
and,
FIG. 5 is a right side view of the display device of FIG. 1.

1 Claim, 5 Drawing Sheets



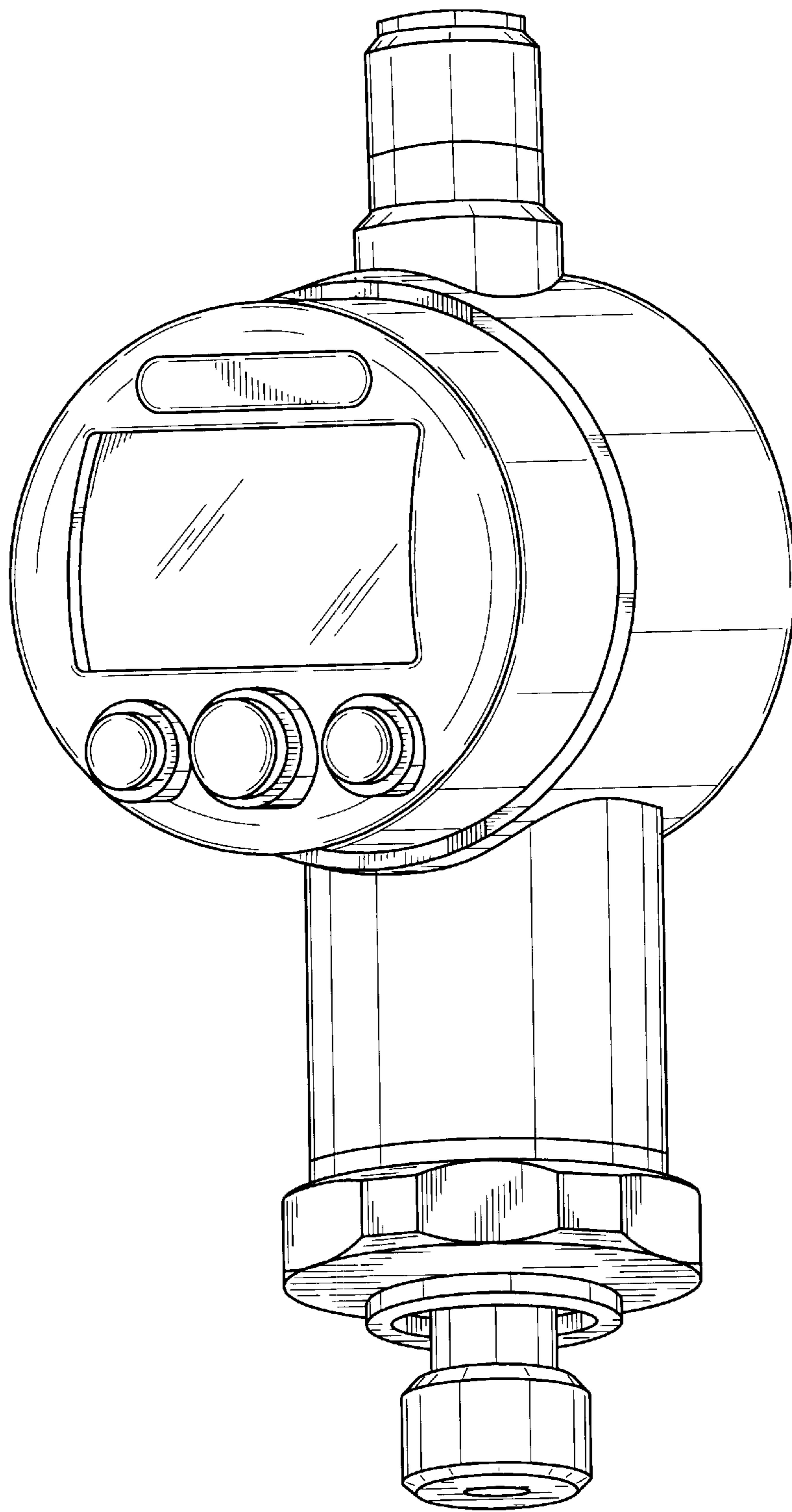


FIG.1

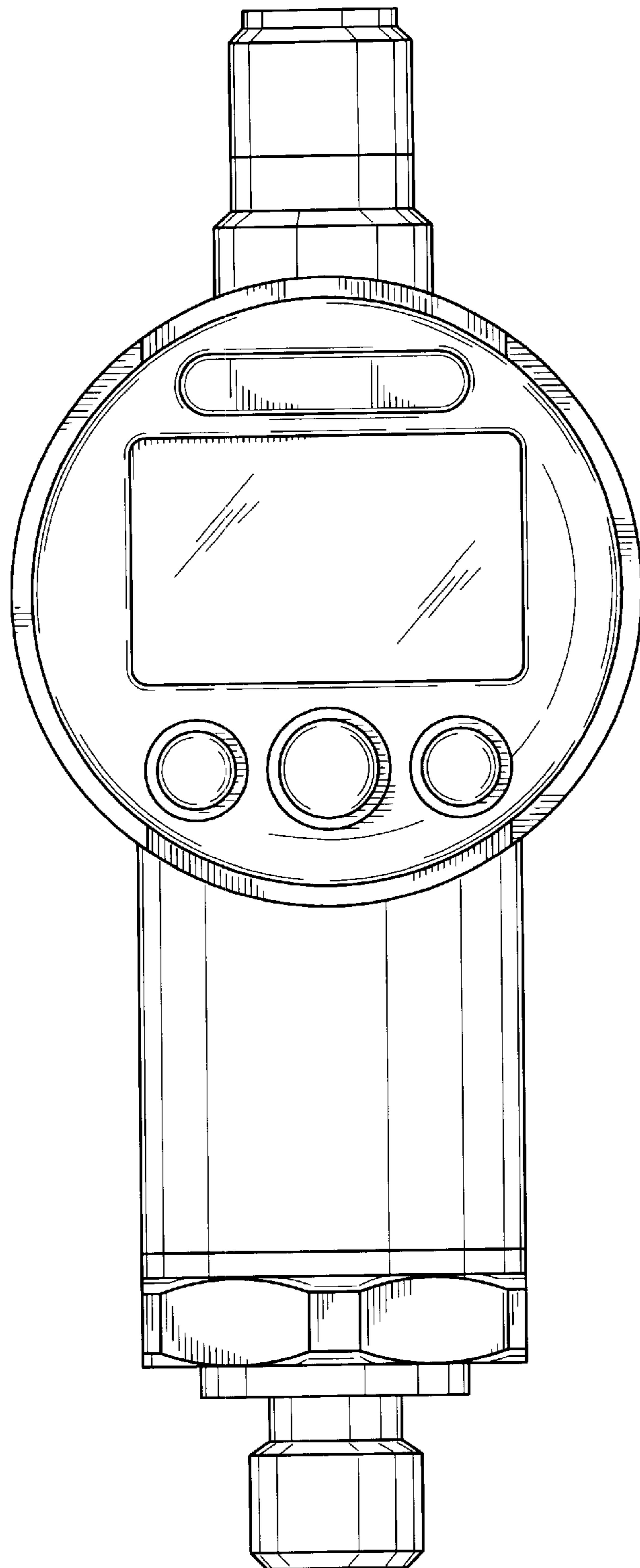


FIG.2

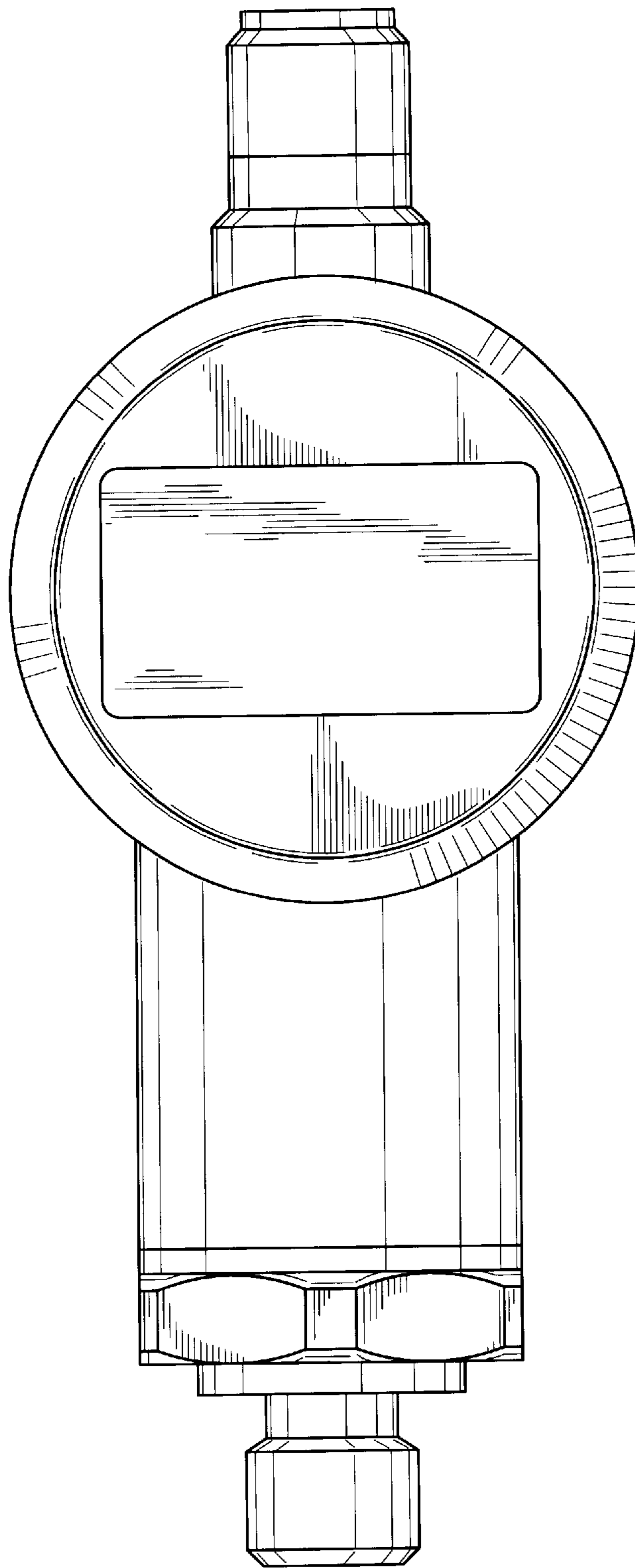


FIG.3

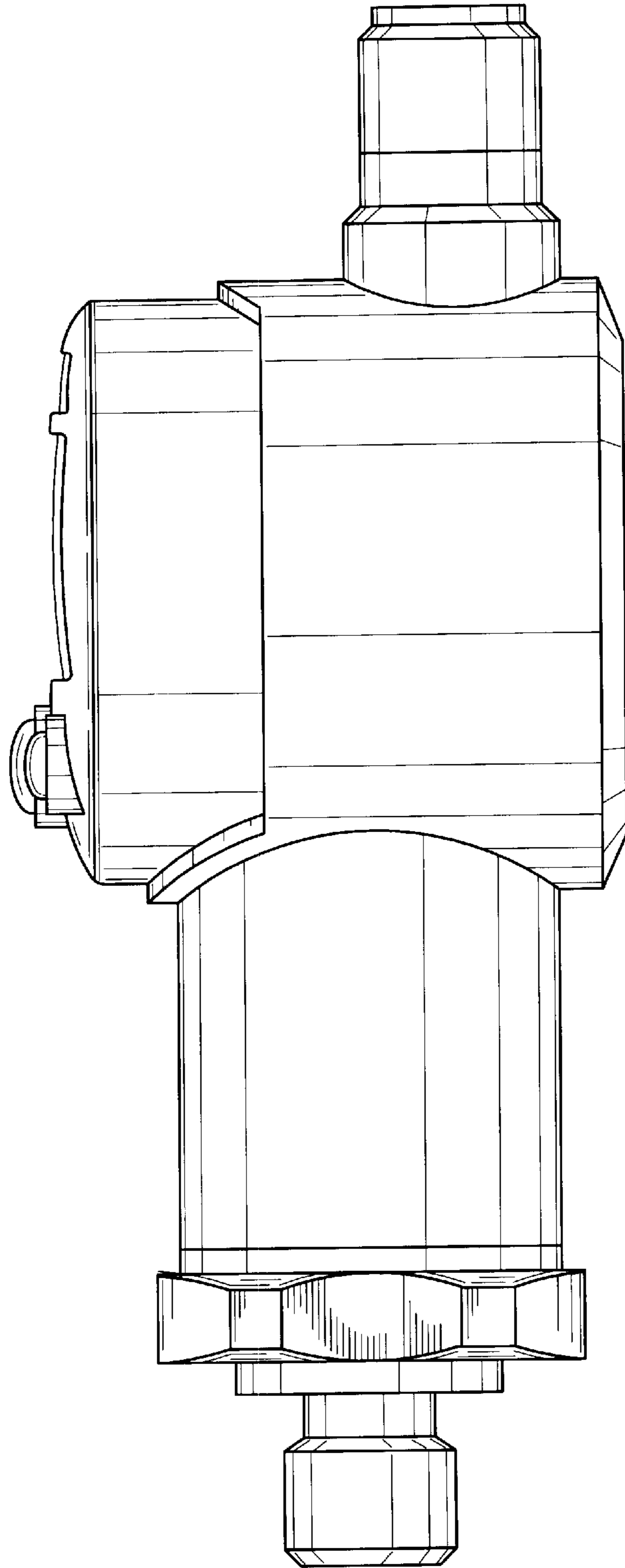


FIG.4

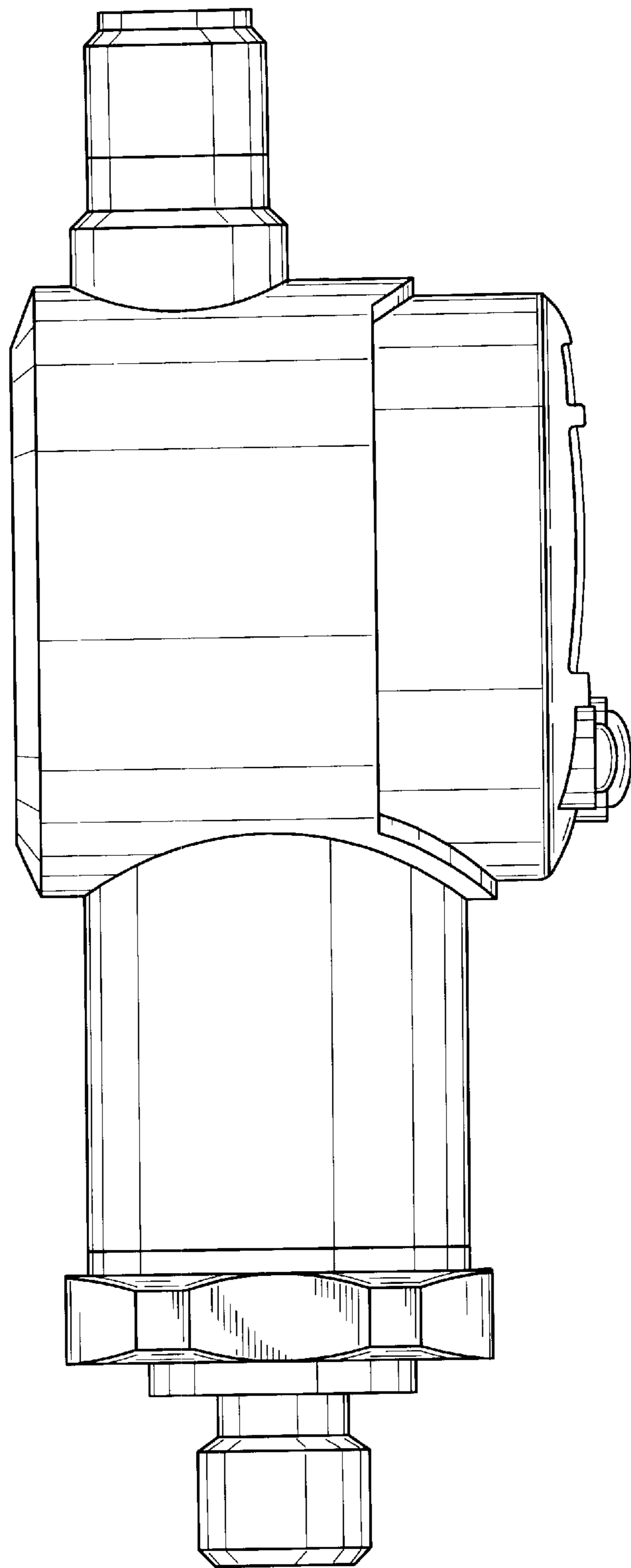


FIG.5