



US00D483269S

(12) **United States Design Patent**
Walsh et al.

(10) **Patent No.:** **US D483,269 S**

(45) **Date of Patent:** **** Dec. 9, 2003**

(54) **CONTAINER**

(75) Inventors: **Michael J. Walsh**, Chesterfield, MO (US); **Mark A. Gilbertson**, Sauk City, WI (US); **Michael J. Brock**, Madison, WI (US); **Scott G. Manke**, Sun Prairie, WI (US)

(73) Assignee: **Masterchem Industries, Inc.**, Imperial, MO (US)

(**) Term: **14 Years**

(21) Appl. No.: **29/164,453**

(22) Filed: **Jul. 24, 2002**

(51) **LOC (7) Cl.** **09-01**

(52) **U.S. Cl.** **D9/522; D9/530; D9/543**

(58) **Field of Search** D9/414, 422, 424, D9/426, 432, 516, 530, 532, 531, 560, 528, 523, 539, 540, 543; 215/382-385, 396, 398, 400; 220/510, 601, 675, 696, 761, 766, 770, 4.27, 23.4, 561, 23.83; D32/53, 53.1; D34/39; 156/94, 250, 264

(56) **References Cited**

U.S. PATENT DOCUMENTS

D51,560 S	*	12/1917	Reizenstein	D9/522
2,120,487 A		6/1938	Conner		
D193,446 S		8/1962	Houghton		
D204,171 S		3/1966	Szajna		
D222,249 S	*	10/1971	Lucas	D23/207
D273,563 S	*	4/1984	Jeans et al.	D9/522
4,474,303 A		10/1984	Maccise		
D286,024 S		10/1986	Murukurthy		
D289,377 S		4/1987	Ashby et al.		
D308,166 S		5/1990	Weckman		
D320,911 S		10/1991	Carlson		
D323,115 S	*	1/1992	Kelsey	D9/423

5,103,988 A		4/1992	Reil et al.		
5,269,438 A	*	12/1993	Kelsey	220/766
D370,850 S		6/1996	Beaver		
D388,708 S	*	1/1998	Monaghan	D9/523
D389,067 S		1/1998	Lown		
5,823,345 A		10/1998	Nask et al.		
D413,200 S		8/1999	Baker		
D448,674 S		10/2001	Mooney		
D449,538 S		10/2001	Burleson et al.		
D462,012 S		8/2002	Manderfield, Jr.		
D464,879 S	*	10/2002	Meeker et al.	D9/424
D465,153 S	*	11/2002	Meeker et al.	D9/424
D473,142 S	*	4/2003	Beaver	D9/530
D474,115 S	*	5/2003	Walsh et al.	D9/532
2002/0195471 A1		12/2002	Nottingham et al.		

* cited by examiner

Primary Examiner—Ted Shooman

Assistant Examiner—Carol Rademaker

(74) *Attorney, Agent, or Firm*—Foley & Lardner

(57) **CLAIM**

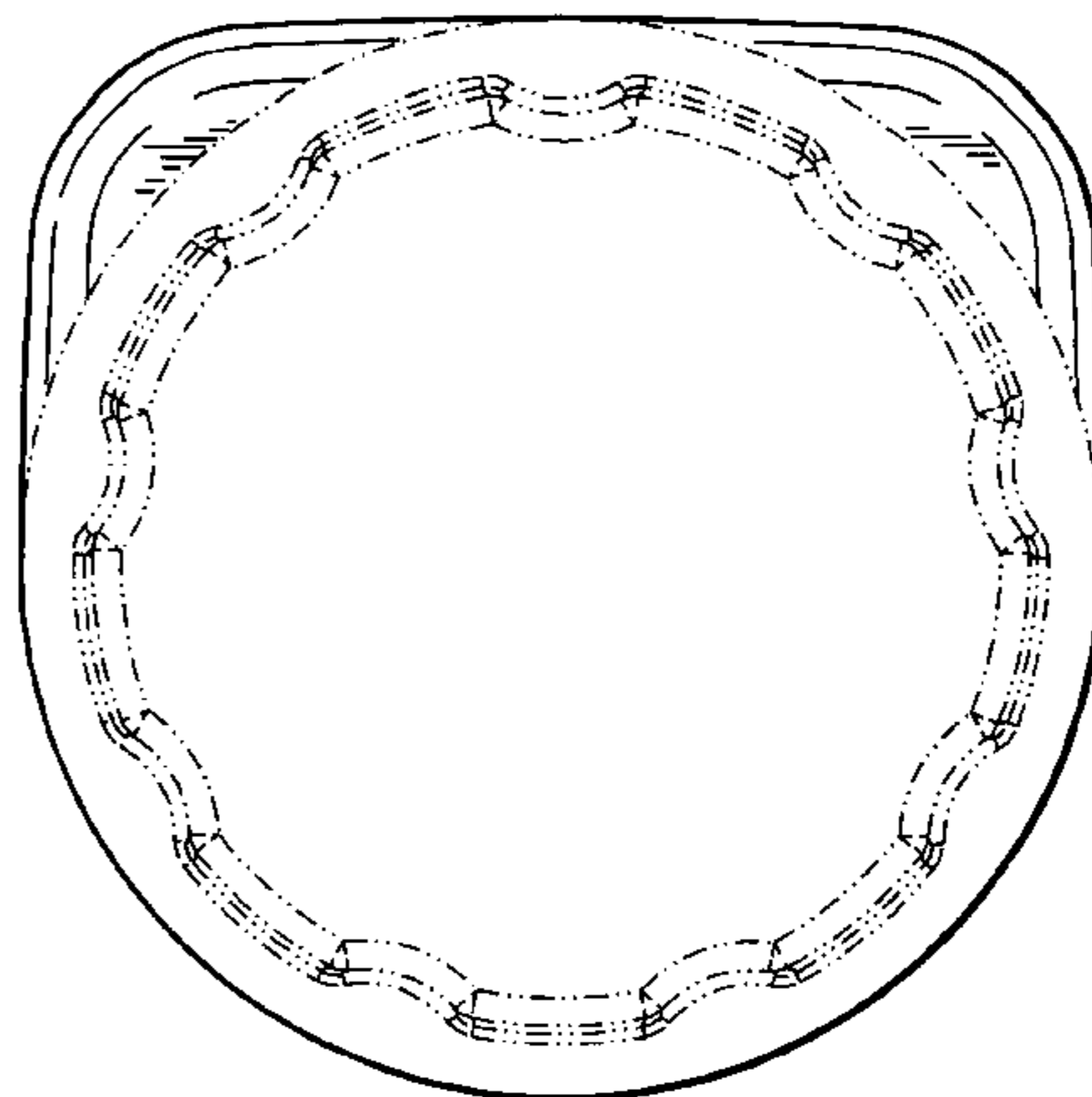
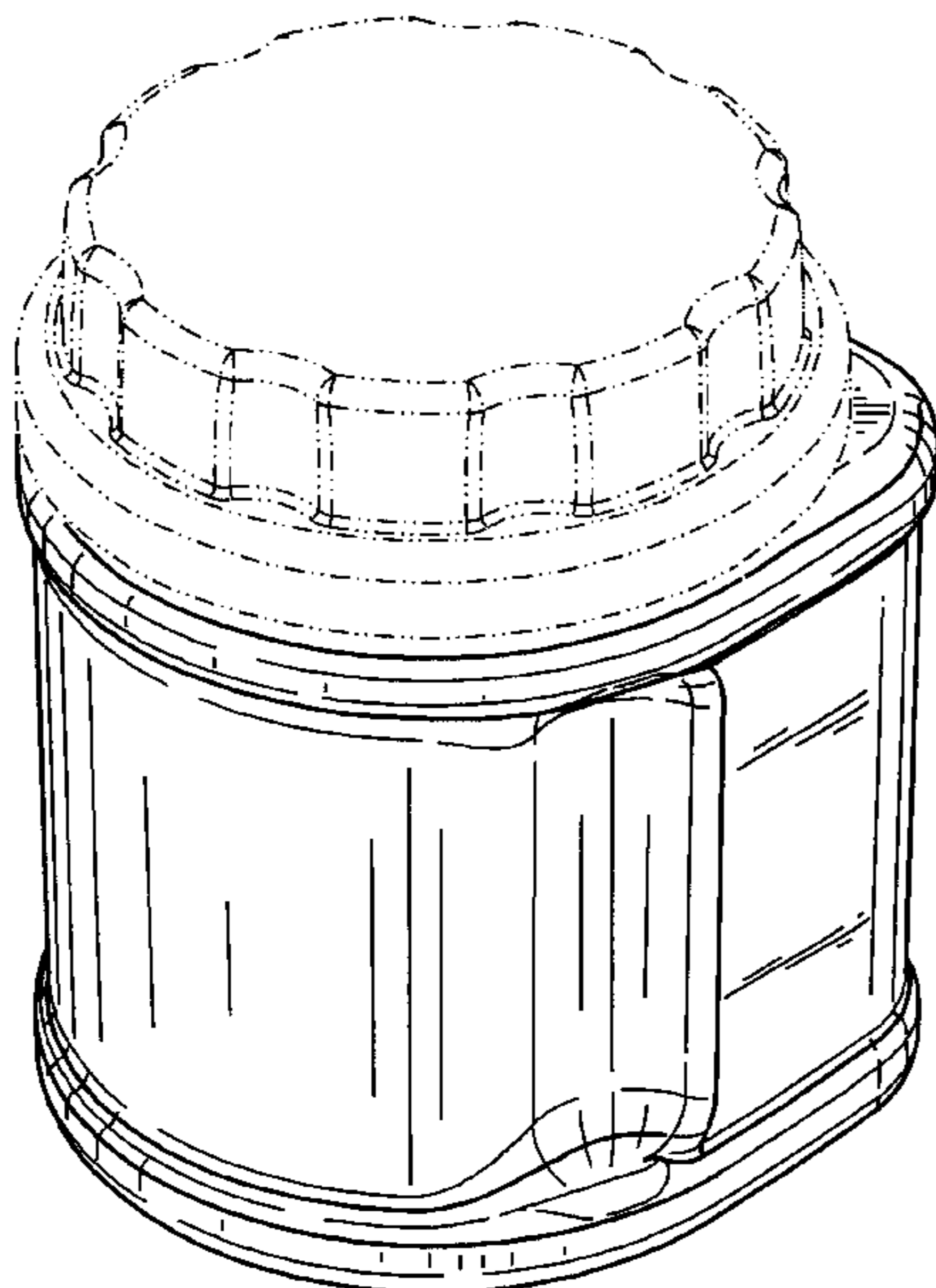
We claim the ornamental design for a container, as shown and described.

DESCRIPTION

FIG. 1 is a perspective view of a container;
 FIG. 2 is a right side view of the design of FIG. 1, the left side view being a mirror image;
 FIG. 3 is a front view of the design of FIG. 1;
 FIG. 4 is a back view of the design of FIG. 1;
 FIG. 5 is a top view of the design of FIG. 1; and,
 FIG. 6 is a bottom view of the design of FIG. 1.

The ornamental design which is claimed is shown in solid lines in the drawing. The broken lines in the drawings are for illustrative purposes only and form no part of the claimed design.

1 Claim, 3 Drawing Sheets



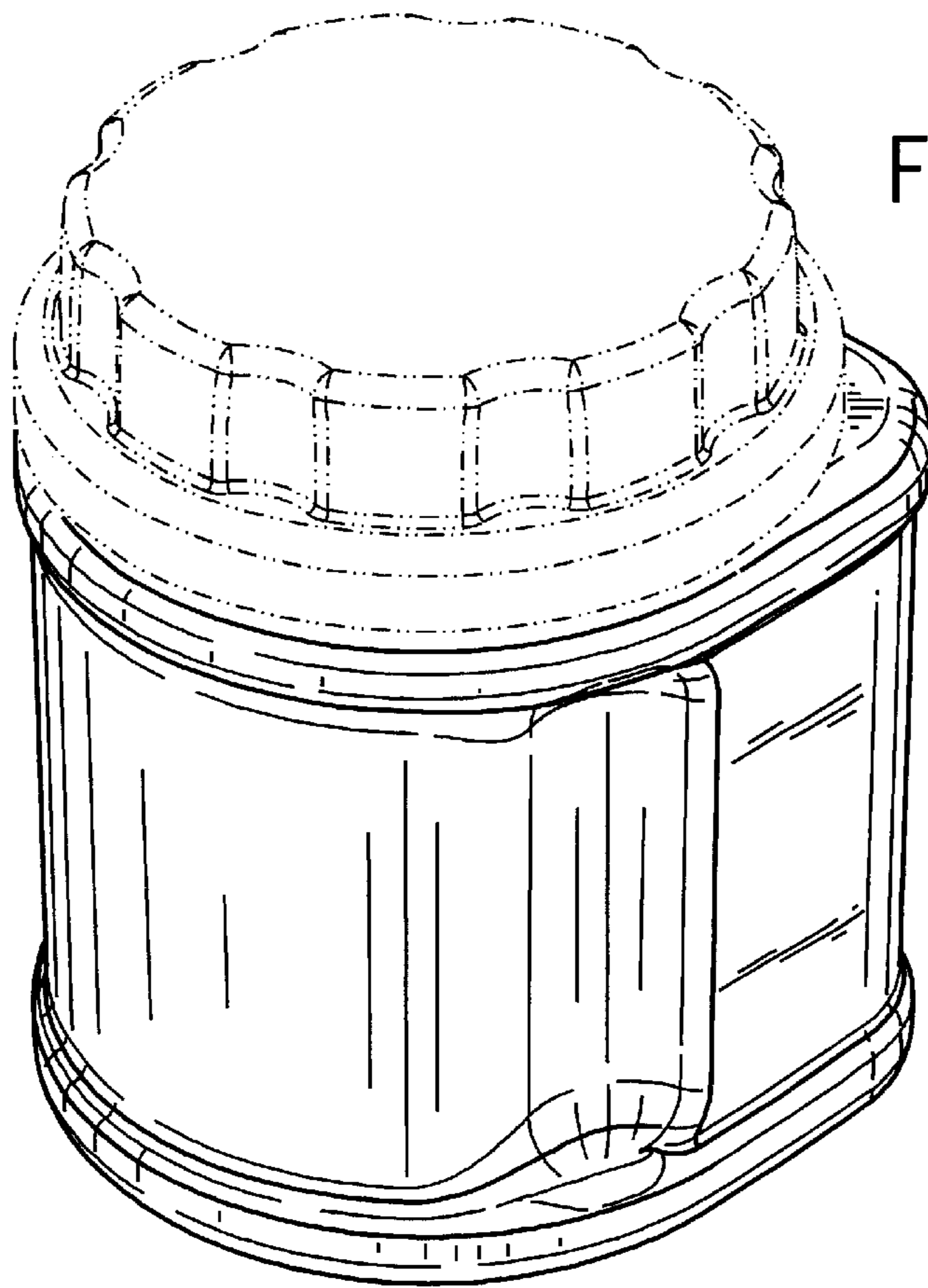


FIG. 1

FIG. 2

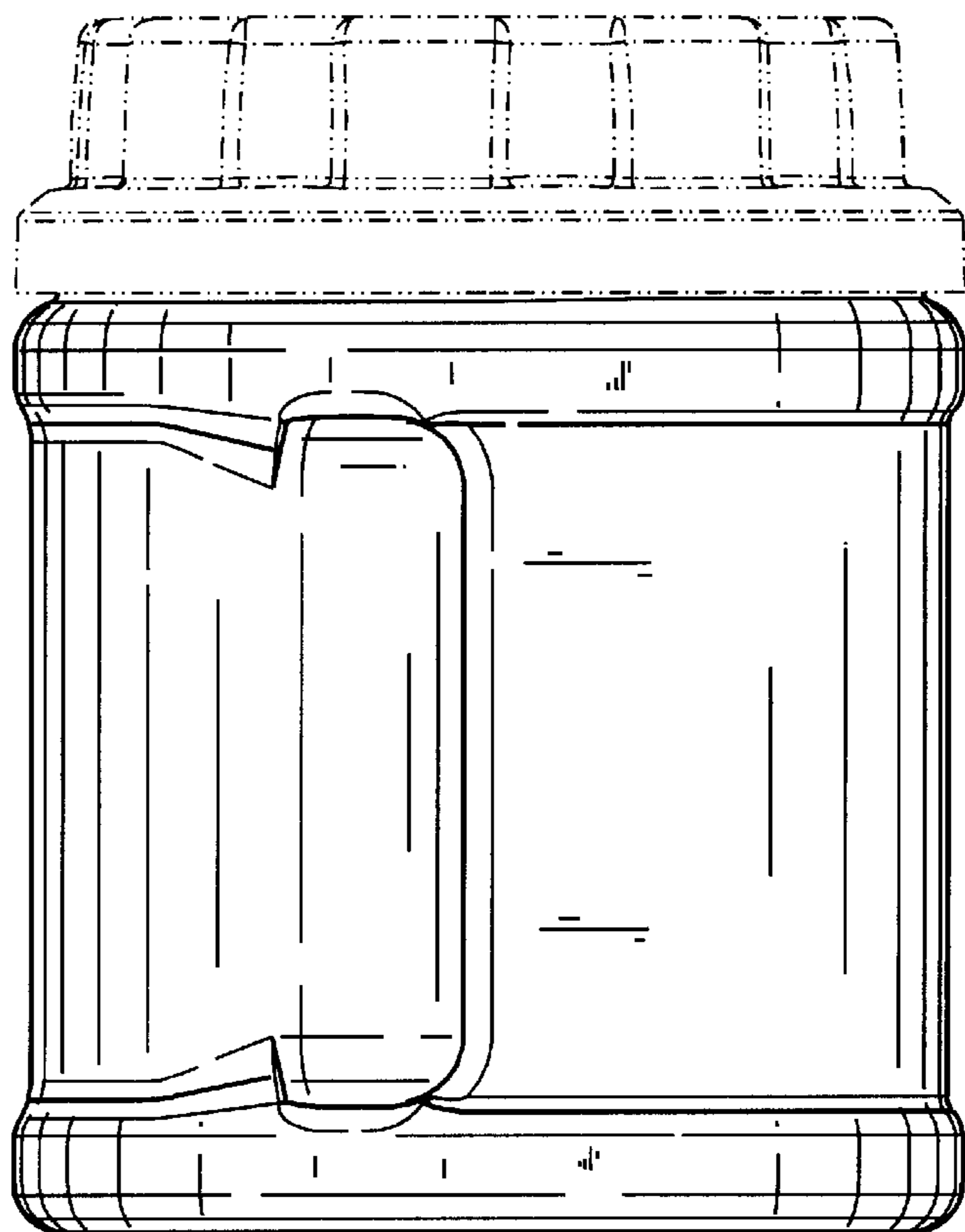


FIG. 3

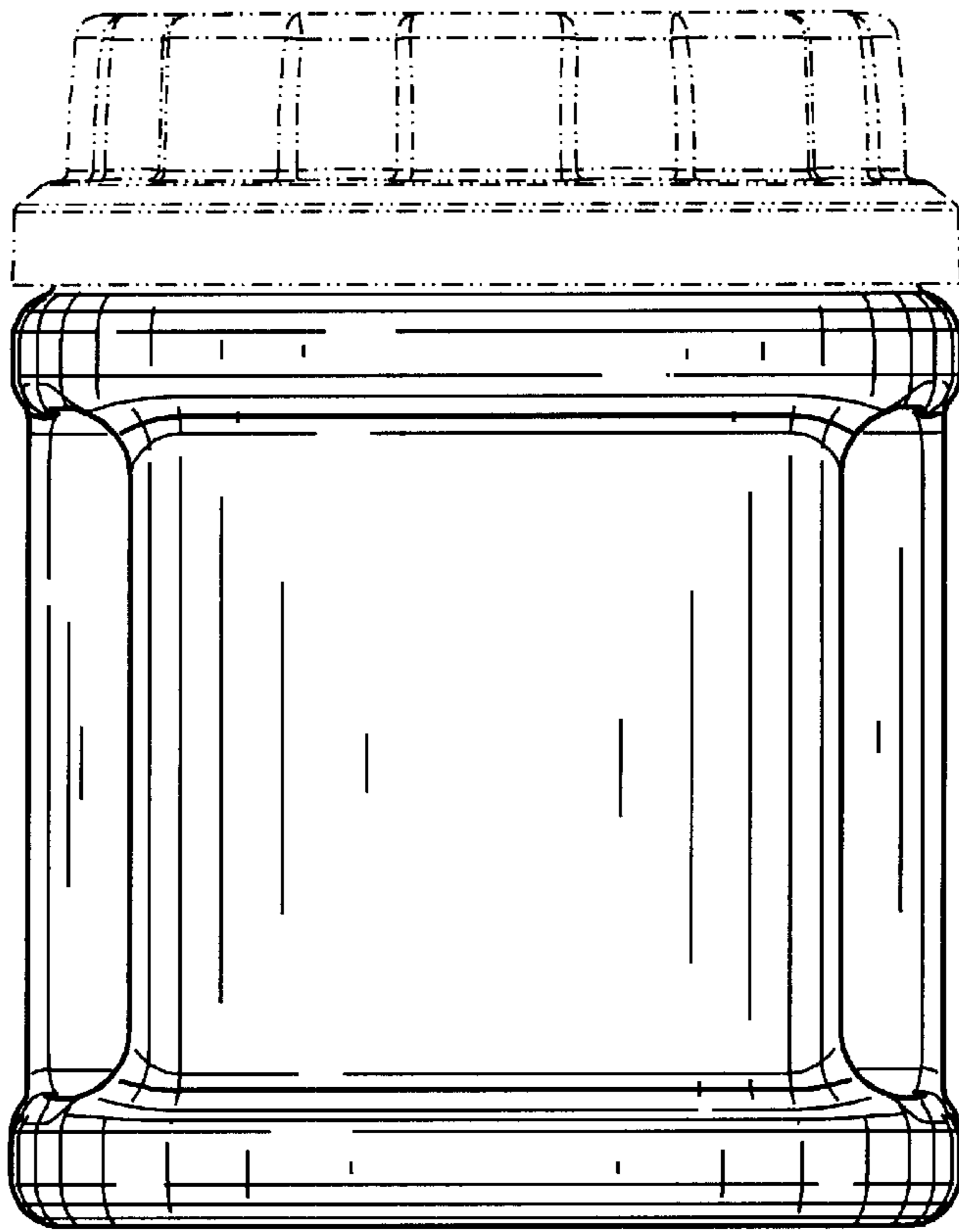


FIG. 4

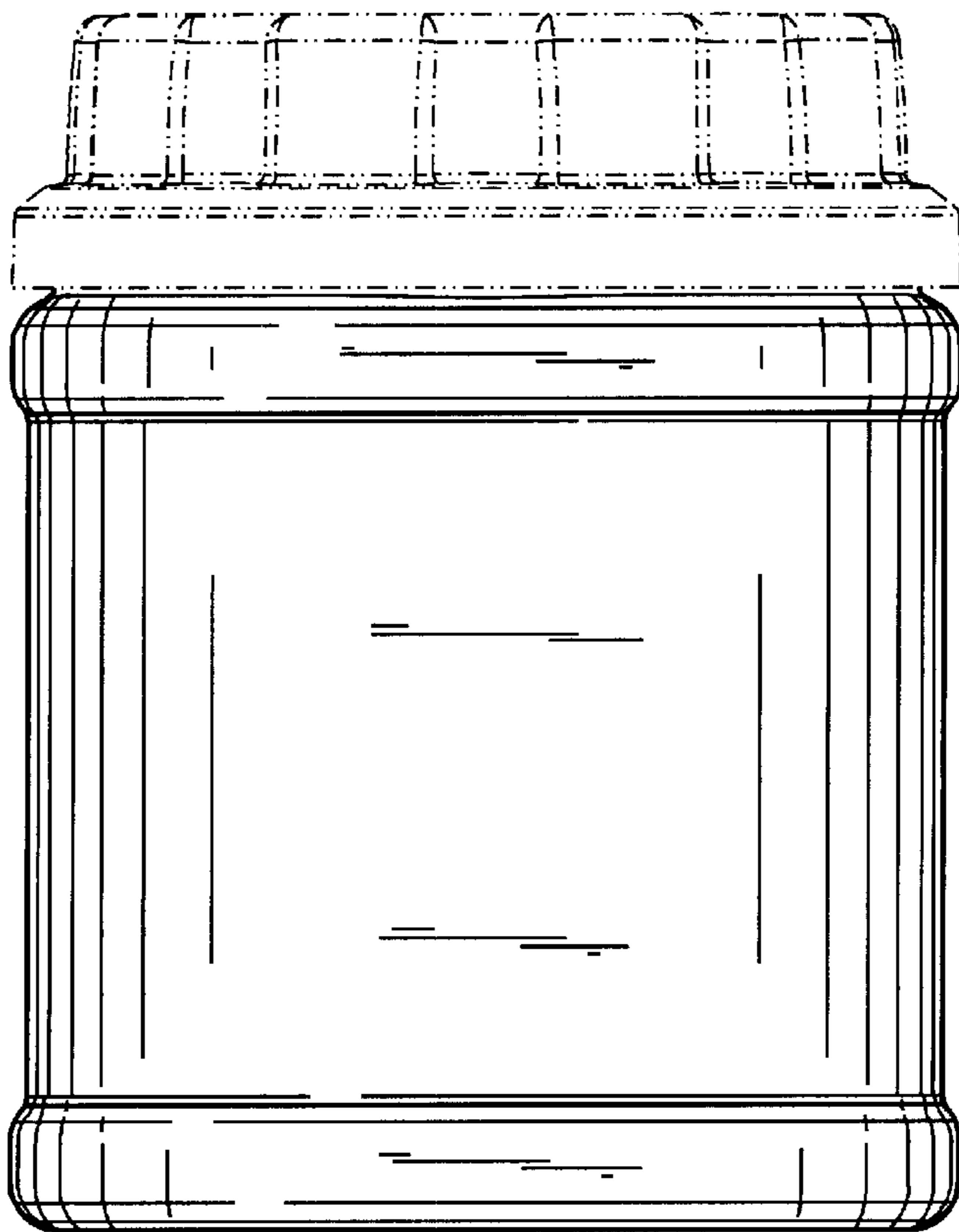


FIG. 5

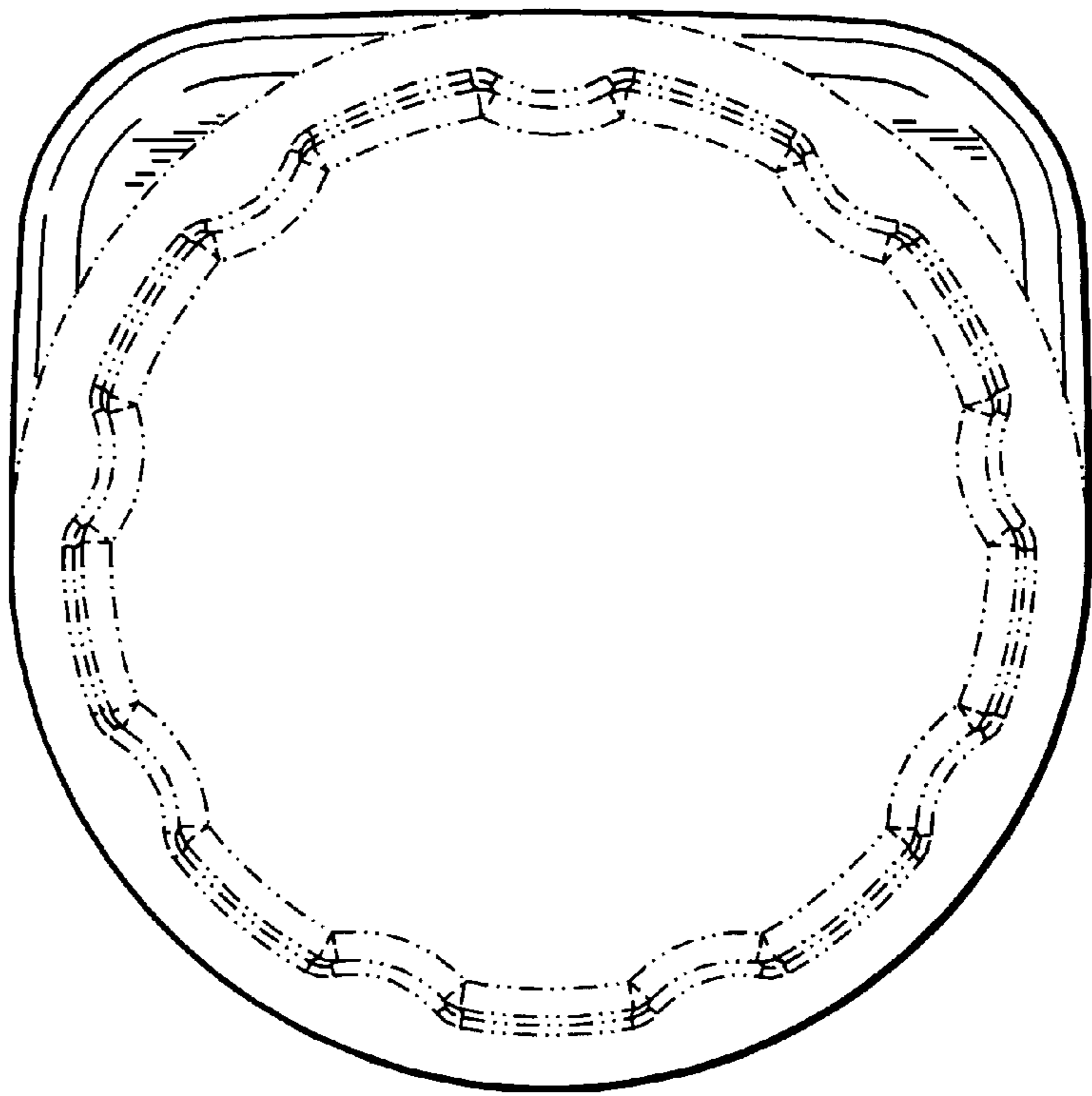


FIG. 6

