



US00D483261S

(12) **United States Design Patent**
Stanley

(10) **Patent No.:** **US D483,261 S**

(45) **Date of Patent:** **** Dec. 9, 2003**

(54) **CONTAINER FOR TOWING ACCESSORIES**

(75) **Inventor:** **Richard J. Stanley, Howell, MI (US)**

(73) **Assignee:** **Cequent Towing Products, Inc.,
Plymouth, MI (US)**

(**) **Term:** **14 Years**

(21) **Appl. No.:** **29/177,466**

(22) **Filed:** **Mar. 11, 2003**

(51) **LOC (7) Cl.** **09-03**

(52) **U.S. Cl.** **D9/415; D9/418**

(58) **Field of Search** D9/414, 415, 418,
D9/341, 346, 347, 337, 457; 206/461-471,
806, 495, 335, 348, 302, 319, 349, 372;
224/924

(56) **References Cited**

U.S. PATENT DOCUMENTS

4,423,811	A	*	1/1984	Knapp	206/470
4,512,474	A	*	4/1985	Harding	206/467
D320,934	S	*	10/1991	Cross et al.	D9/415
5,129,516	A	*	7/1992	Theros	206/463
D334,886	S	*	4/1993	Cortelli et al.	D9/418
D365,753	S	*	1/1996	Sibbio	D9/415

5,520,280	A	*	5/1996	Lickton	206/335
D400,098	S	*	10/1998	Wang	D9/415
6,039,243	A	*	3/2000	Lickton	206/335
D441,645	S	*	5/2001	Longhurst	D9/415
D472,140	S	*	3/2003	Yang	D9/415

* cited by examiner

Primary Examiner—Prabhakar Deshmukh

(74) *Attorney, Agent, or Firm*—King & Schickli, PLLC

(57) **CLAIM**

The ornamental design of a container for towing accessories, as shown and described.

DESCRIPTION

FIG. 1 is a perspective view of the container for towing accessories of the present invention;
 FIG. 2 is a front elevational view;
 FIG. 3 is a left side elevational view;
 FIG. 4 is a rear elevational view thereof;
 FIG. 5 is a right side elevational view thereof;
 FIG. 6 is a top plan view thereof; and,
 FIG. 7 is a bottom plan view thereof.

The broken lines are for illustrative purpose only and form no part of the claimed design.

1 Claim, 5 Drawing Sheets

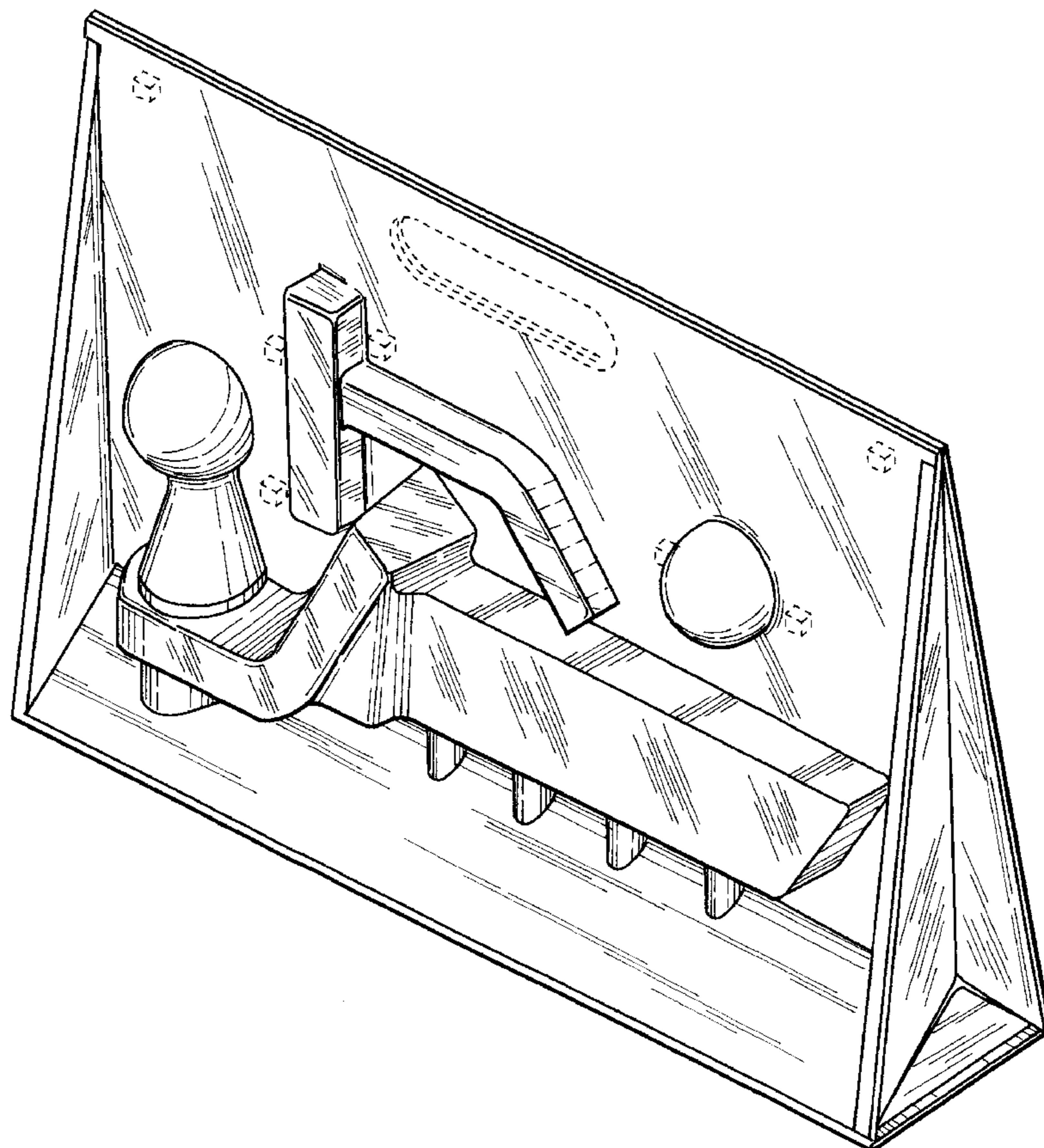
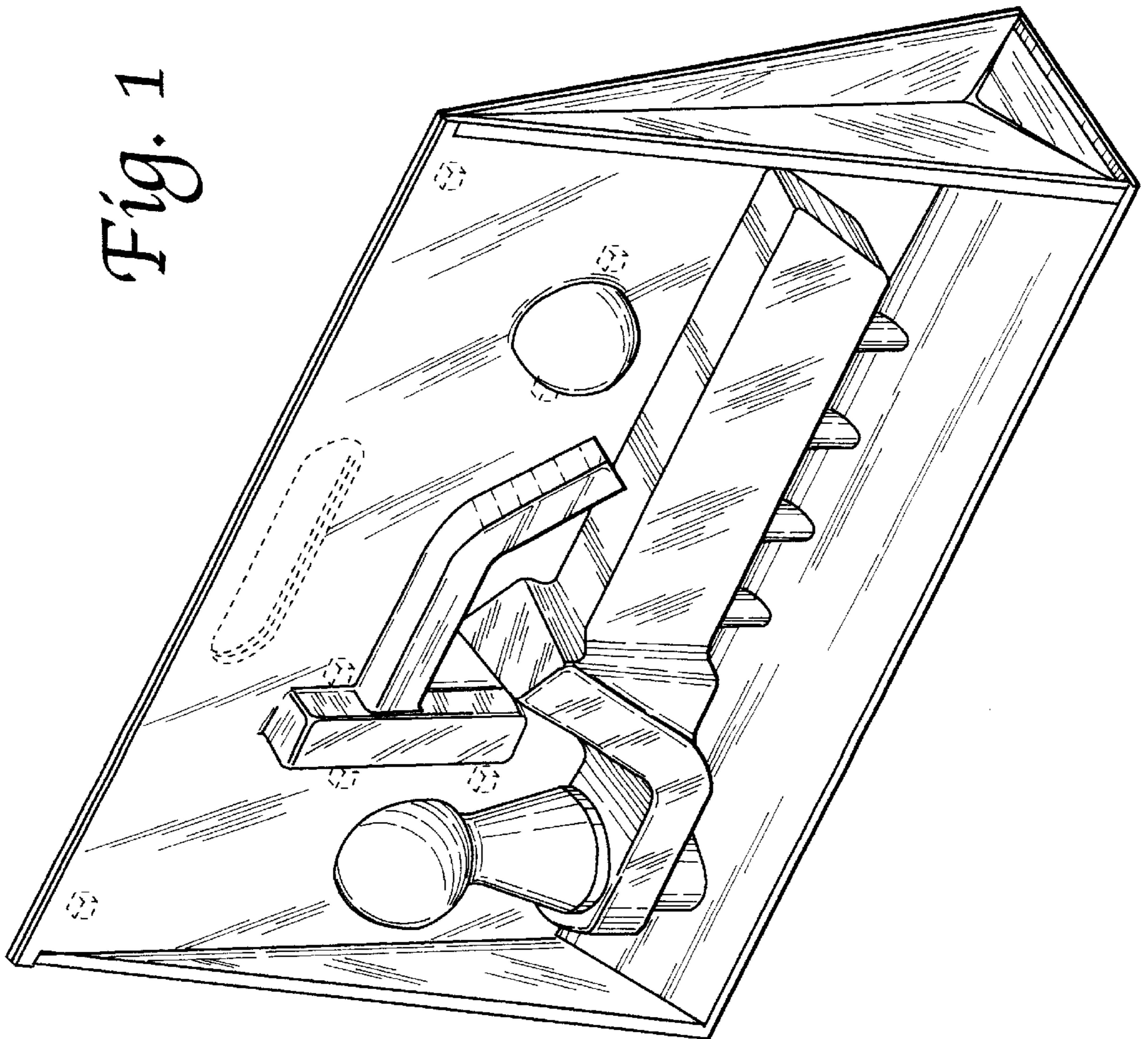


Fig. 1



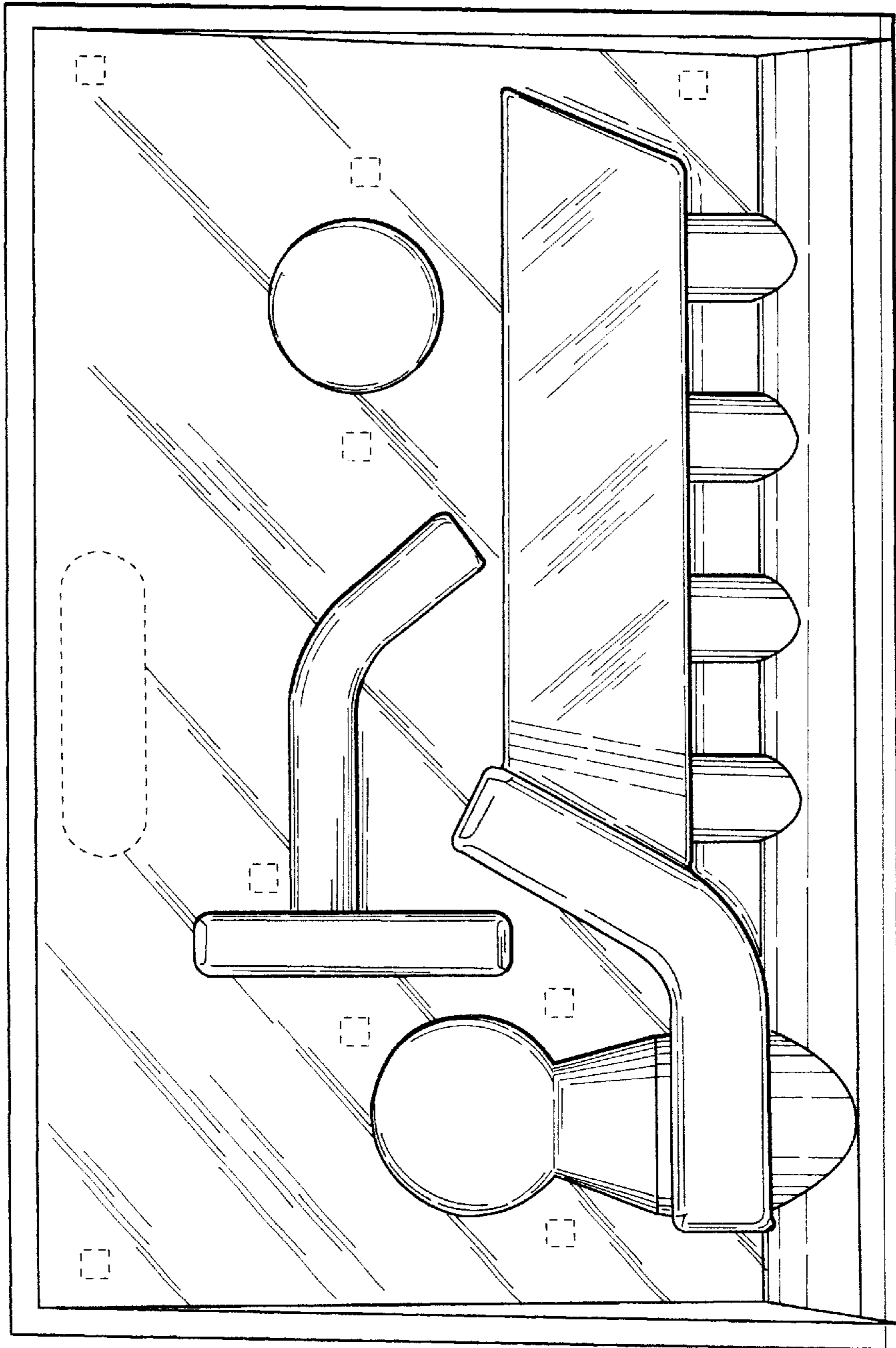


Fig. 2

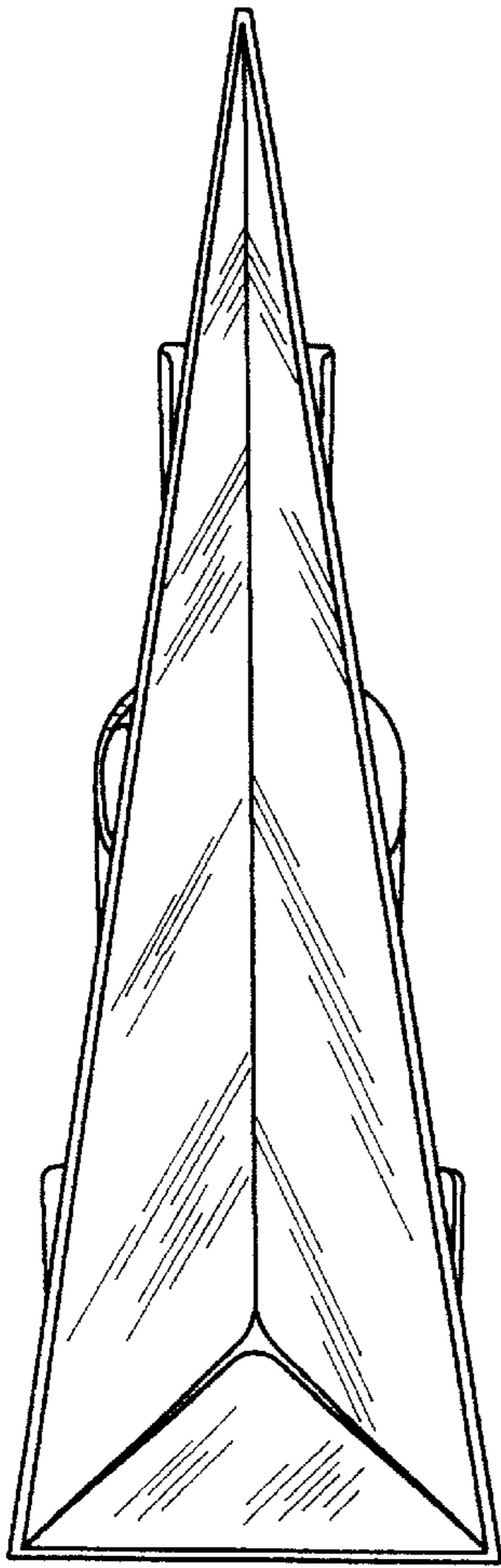


Fig. 3

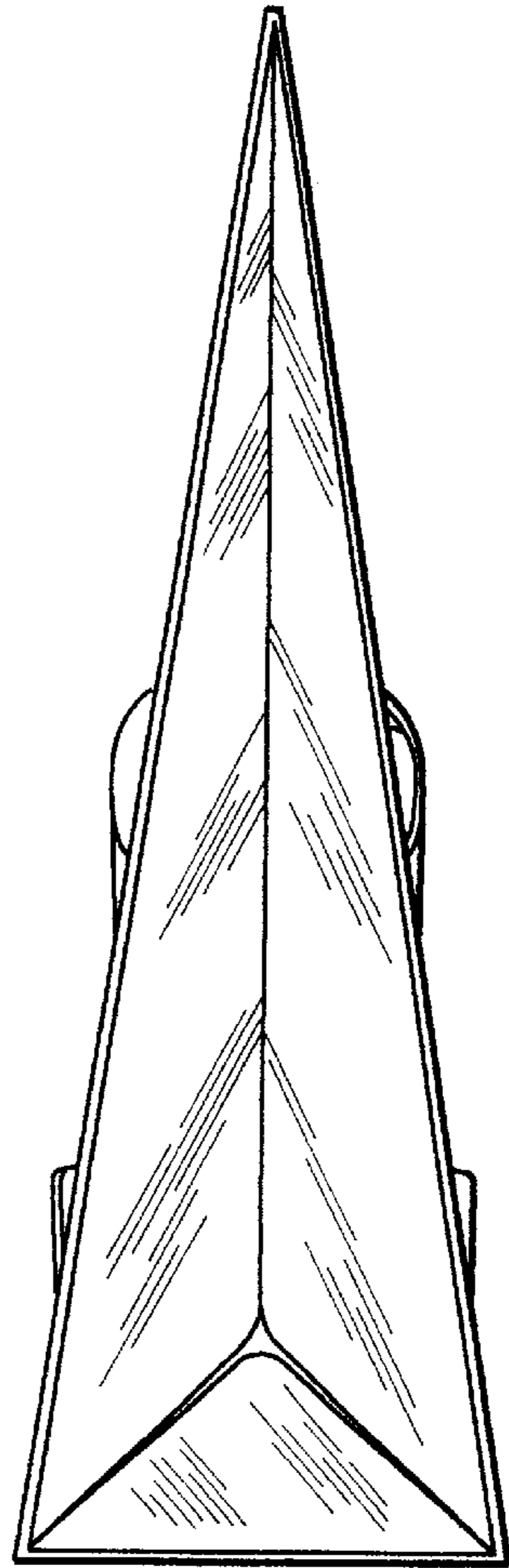


Fig. 5

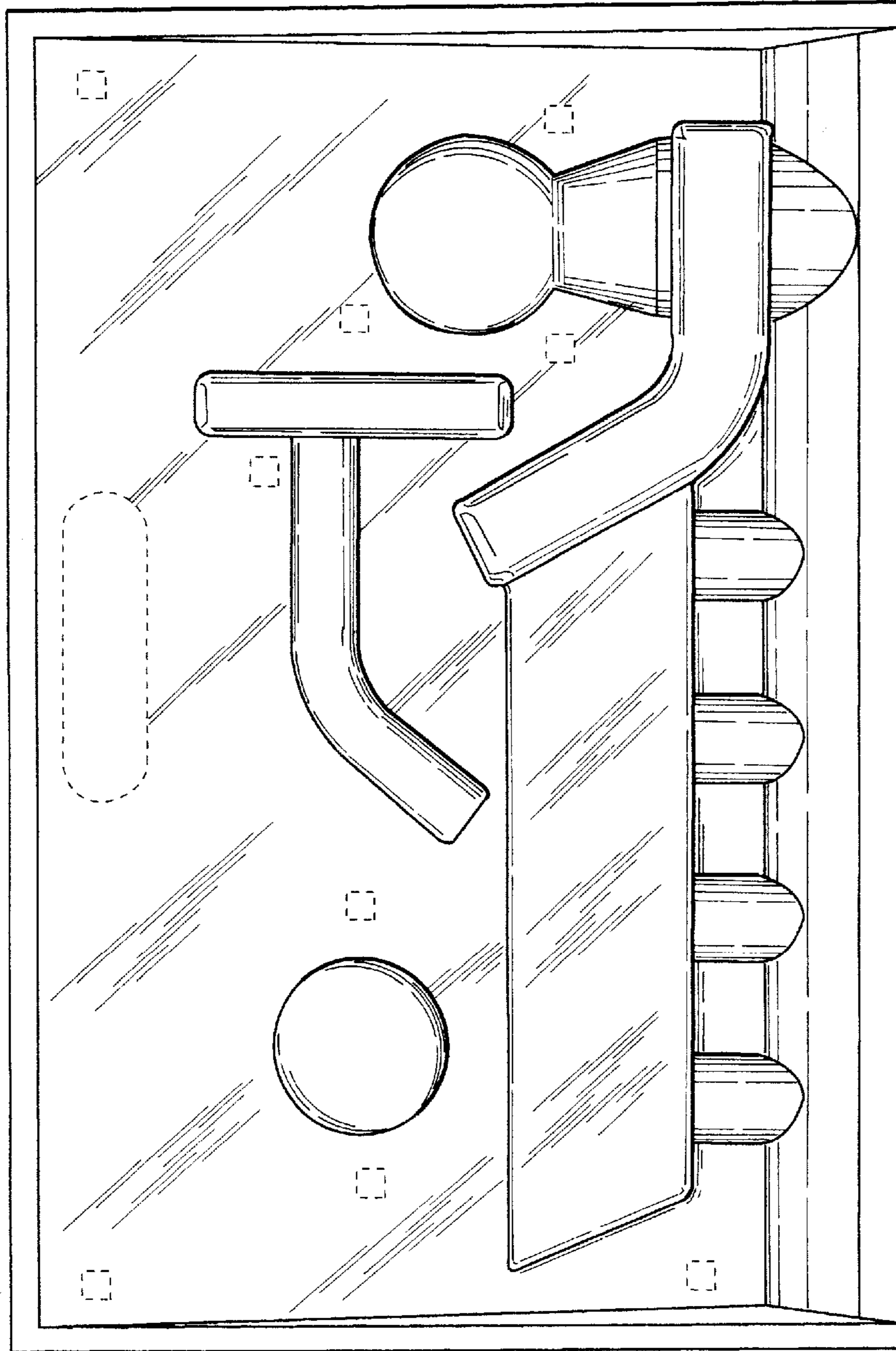


Fig. 4

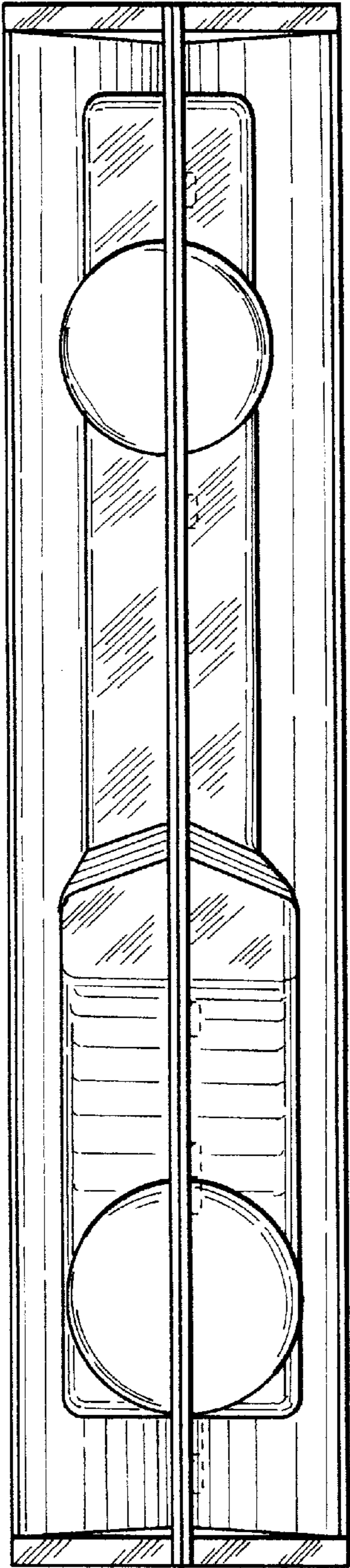


Fig. 6

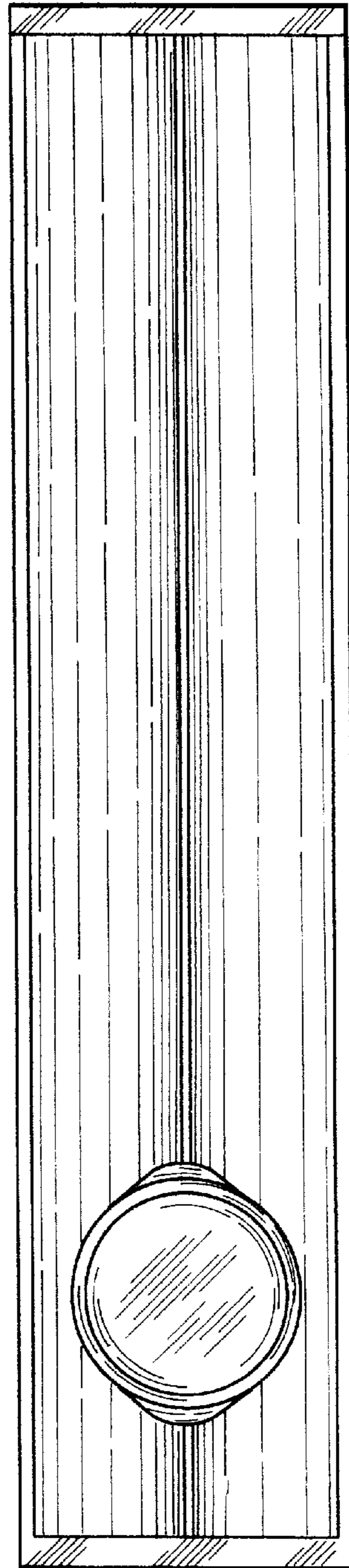


Fig. 7