



US00D483259S

(12) **United States Design Patent**
Brown

(10) **Patent No.:** **US D483,259 S**

(45) **Date of Patent:** **** Dec. 9, 2003**

(54) **CONTAINER**

(75) **Inventor:** **Dean R. Brown**, Beaverton, MI (US)

(73) **Assignee:** **PWP Industries**, Vernon, CA (US)

(**) **Term:** **14 Years**

(21) **Appl. No.:** **29/166,802**

(22) **Filed:** **Sep. 4, 2002**

Related U.S. Application Data

(62) Division of application No. 29/151,025, filed on Oct. 30, 2001, now Pat. No. Des. 467,796.

(51) **LOC (7) Cl.** **09-03**

(52) **U.S. Cl.** **D9/347**

(58) **Field of Search** D9/341, 345, 347,
D9/424, 428, 499; 206/427, 449, 486, 499,
503, 557, 558, 564, 527, 821; 220/4.01,
23.83, 500, 890

(56) **References Cited**

U.S. PATENT DOCUMENTS

1,743,980 A	1/1930	Samson	
3,446,215 A	5/1969	Howe	
3,556,338 A	1/1971	Wilkinson et al.	
3,592,349 A	7/1971	Baugh	
3,682,365 A	8/1972	Reifers et al.	
3,718,274 A	2/1973	Reifers et al.	
4,202,464 A	5/1980	Mohs et al.	
4,256,240 A	3/1981	Woinarski	
4,290,248 A	9/1981	Kemerer et al.	
4,334,631 A	6/1982	Ballester	
4,373,636 A	2/1983	Hoffman	
4,408,698 A	10/1983	Ballester	
4,444,332 A	4/1984	Widén et al.	
D277,790 S	2/1985	Schefer D28/82
4,570,818 A	2/1986	Borst et al.	
4,574,974 A	3/1986	von Holdt	
D284,160 S	6/1986	Durand	
4,706,839 A	11/1987	Spence	

4,719,087 A	1/1988	Hanaway	
4,834,237 A	5/1989	Henke et al.	
4,886,184 A	12/1989	Chamourian	
4,933,216 A	6/1990	Filbert et al.	
5,273,174 A	12/1993	Fisher	
5,368,178 A	11/1994	Towns et al.	
5,405,009 A	4/1995	Hackenbracht	
5,507,429 A	4/1996	Arlin	
5,540,342 A	7/1996	Rathbun	
D372,396 S	8/1996	Seager	
D375,259 S	11/1996	Whitehead D9/347
5,762,221 A	6/1998	Tobias et al.	
5,829,595 A	11/1998	Brown et al.	
5,866,181 A	2/1999	Hill	
5,866,183 A	2/1999	Small	
5,897,015 A	4/1999	Sheahan	
D420,285 S	2/2000	Sagan et al.	
D454,489 S	3/2002	Enciso et al. D9/347

FOREIGN PATENT DOCUMENTS

EP 0 420 429 A1 4/1991

Primary Examiner—Philip S. Hyder

Assistant Examiner—Daniel Bui

(74) *Attorney, Agent, or Firm*—Faegre & Benson LLP

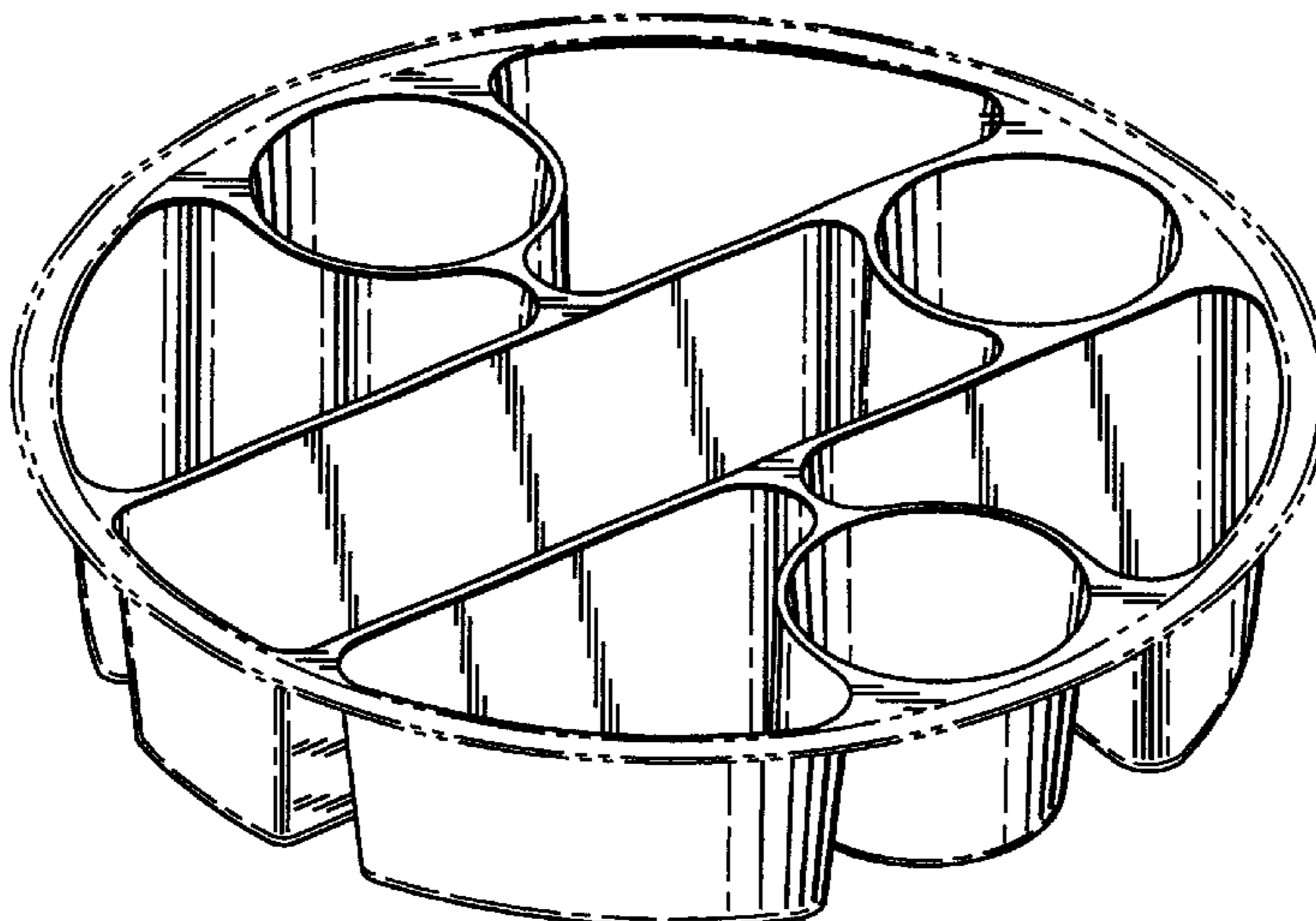
(57) **CLAIM**

The ornamental design for the container, as shown and described.

DESCRIPTION

FIG. 1 is a perspective view of a container in accordance with the present invention;
FIG. 2 is a top plan view of the container of FIG. 1;
FIG. 3 is a bottom plan view of the container of FIG. 1;
FIG. 4 is a front plan view of the container of FIG. 1;
FIG. 5 is a rear plan view of the container of FIG. 1;
FIG. 6 is a left side plan view of the container of FIG. 1; and,
FIG. 7 is a right side plan view of the container of FIG. 1.
The broken line showing of the environment is for illustrative purposes only and forms no part of the claimed design.

1 Claim, 3 Drawing Sheets



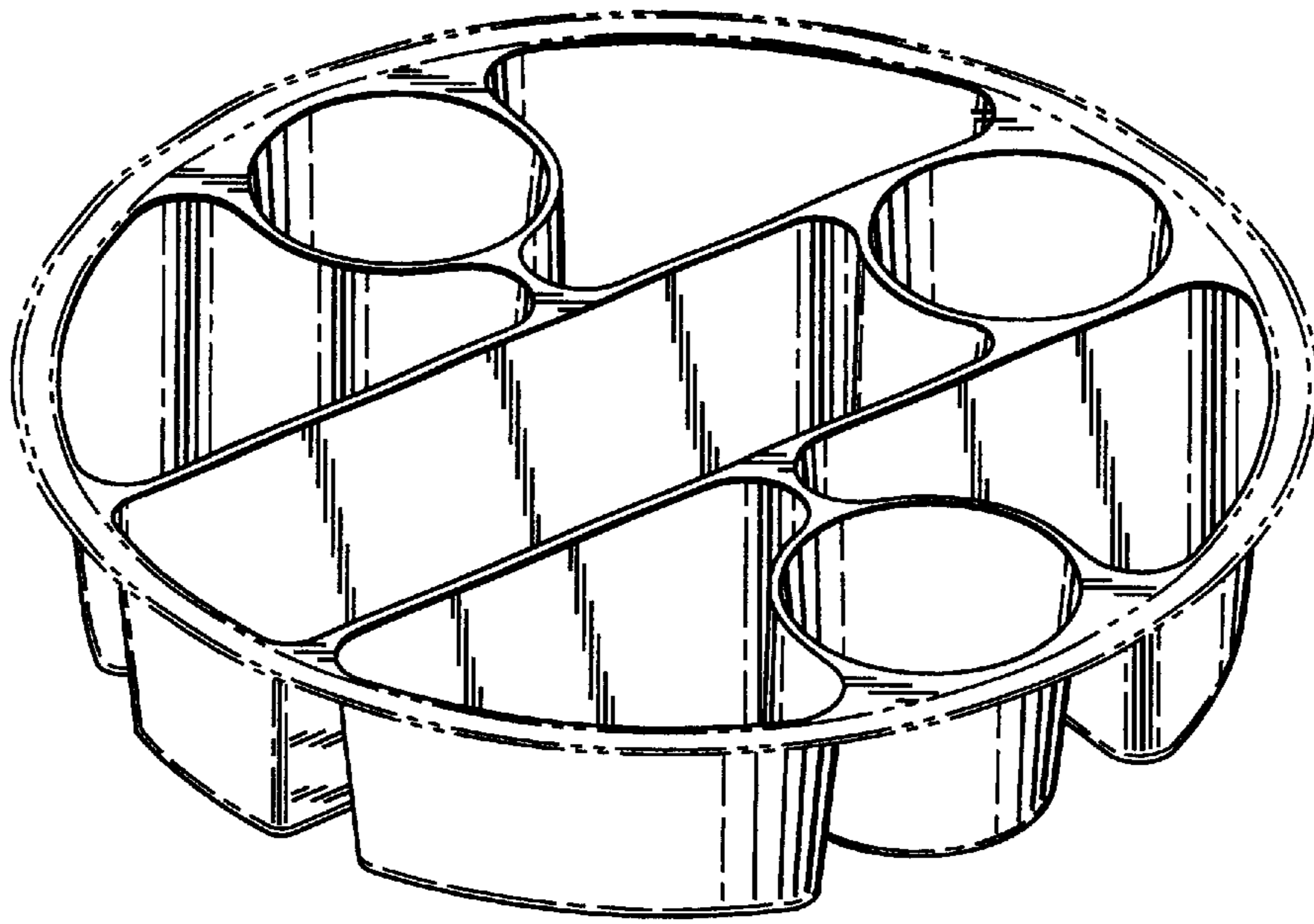


Fig. 1

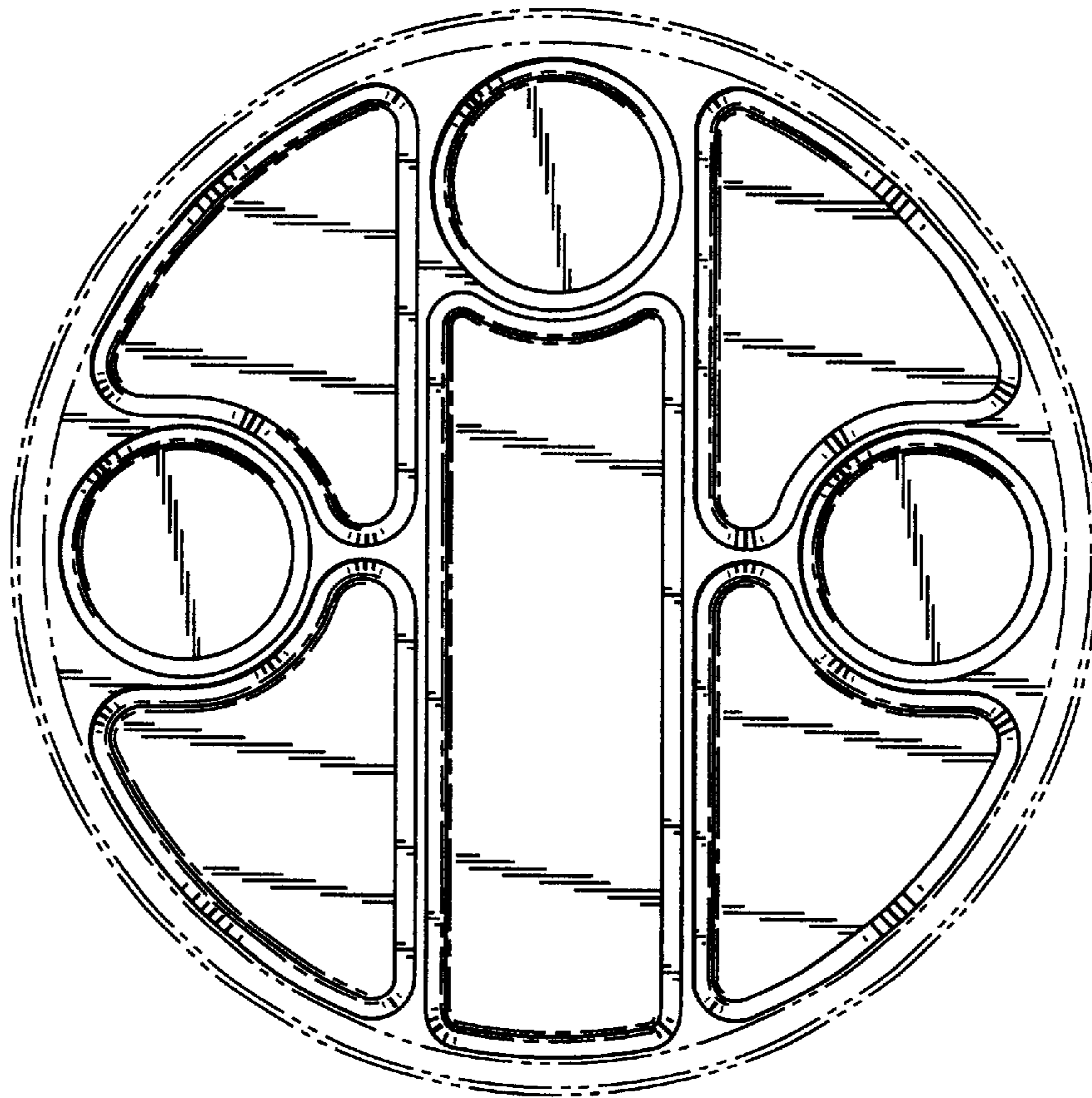


Fig. 2

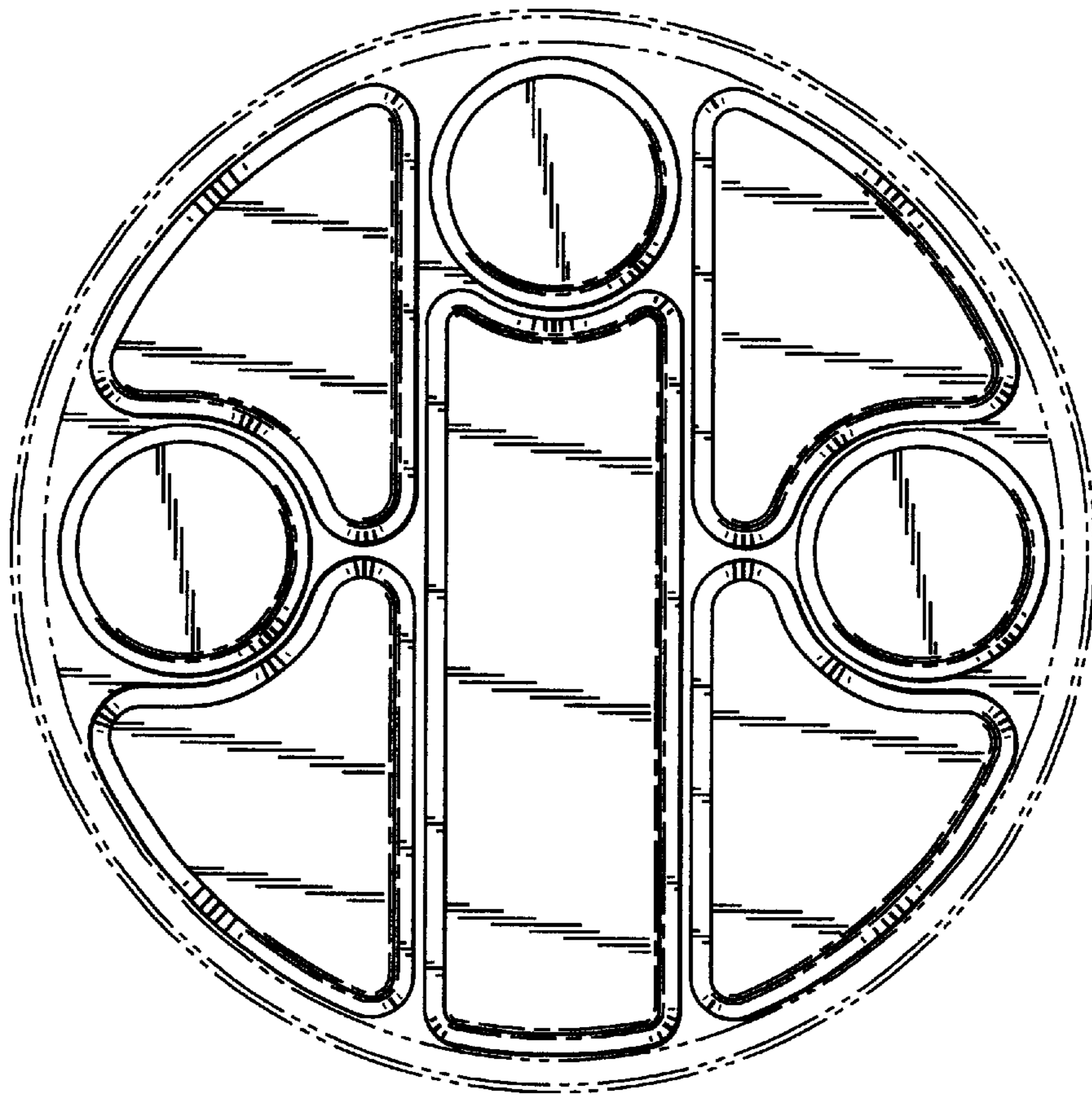


Fig. 3

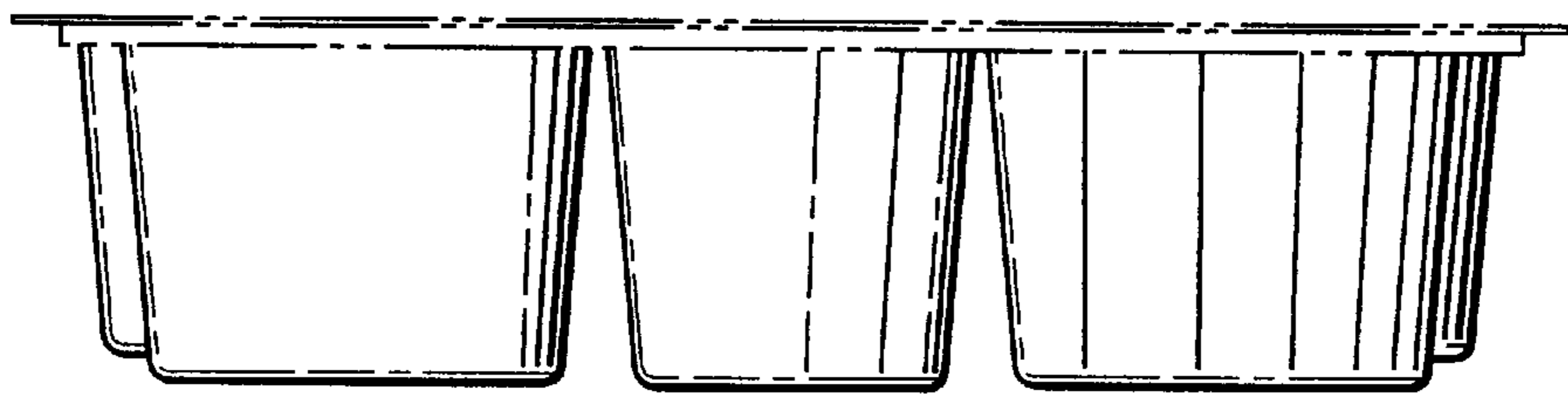


Fig. 4

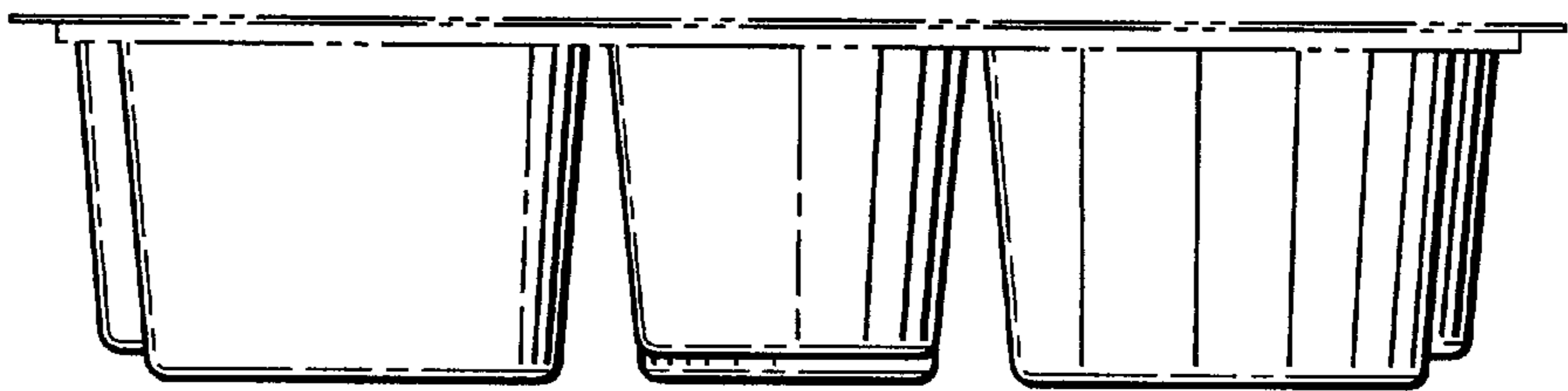


Fig. 5

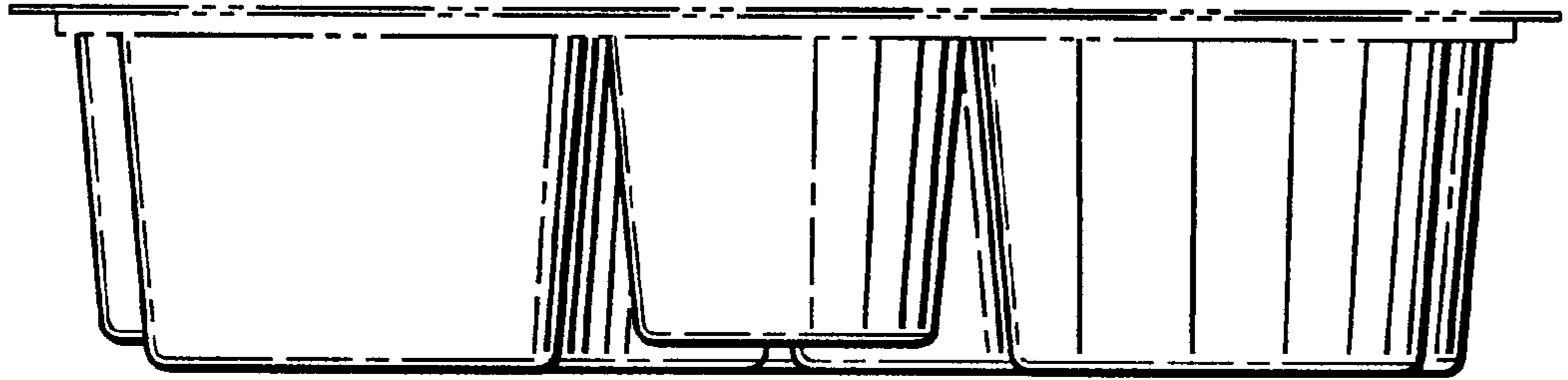


Fig. 6

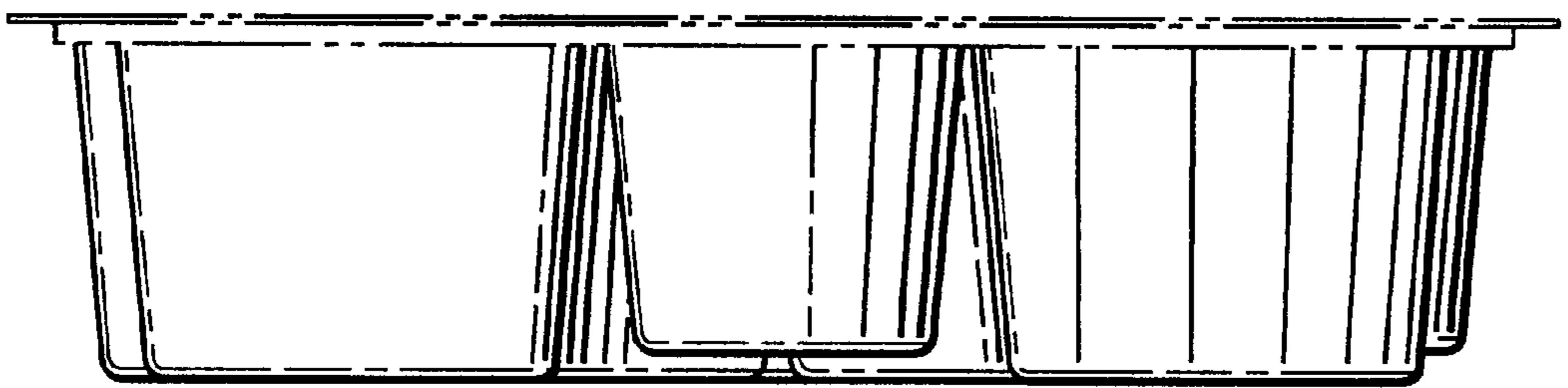


Fig. 7