



US00D483252S

(12) **United States Design Patent**  
**Williamson**

(10) **Patent No.:** **US D483,252 S**

(45) **Date of Patent:** **\*\* Dec. 9, 2003**

(54) **COMBINED SCREW CAP AND EMBLEM COVER FOR VEHICLE LICENSE PLATE**

*Primary Examiner*—Holly Baynham  
(74) *Attorney, Agent, or Firm*—Arthur G. Yeager

(76) **Inventor:** **Dewey E. Williamson**, 2703 Parental Home Rd., Jacksonville, FL (US) 32216

(57) **CLAIM**

(\*\*) **Term:** **14 Years**

The ornamental design for a combined screw cap and emblem cover for vehicle license plate, as shown and described.

(21) **Appl. No.:** **29/163,767**

(22) **Filed:** **Jul. 12, 2002**

**DESCRIPTION**

(51) **LOC (7) Cl.** ..... **08-08**

FIG. 1 is a bottom plan view of the combined screw cap and emblem cover for vehicle license plate showing my new design;

(52) **U.S. Cl.** ..... **D8/387**

(58) **Field of Search** ..... D8/387, 499; 411/373; 24/113 R; 180/185; 40/200-201

FIG. 2 is a top plan view thereof omitting the emblem cover for clarity of illustration;

(56) **References Cited**

**U.S. PATENT DOCUMENTS**

2,983,009 A \* 5/1961 Dritz ..... 24/113 R  
D288,185 S \* 2/1987 Derosa ..... D11/226  
5,879,117 A \* 3/1999 Chen et al. .... 411/373

FIG. 3 is a top front perspective view thereof;

FIG. 4 is a bottom rear perspective view thereof;

FIG. 5 is a left side elevational view thereof; and,

FIG. 6 is a top front perspective view thereof depicting the attached emblem cover.

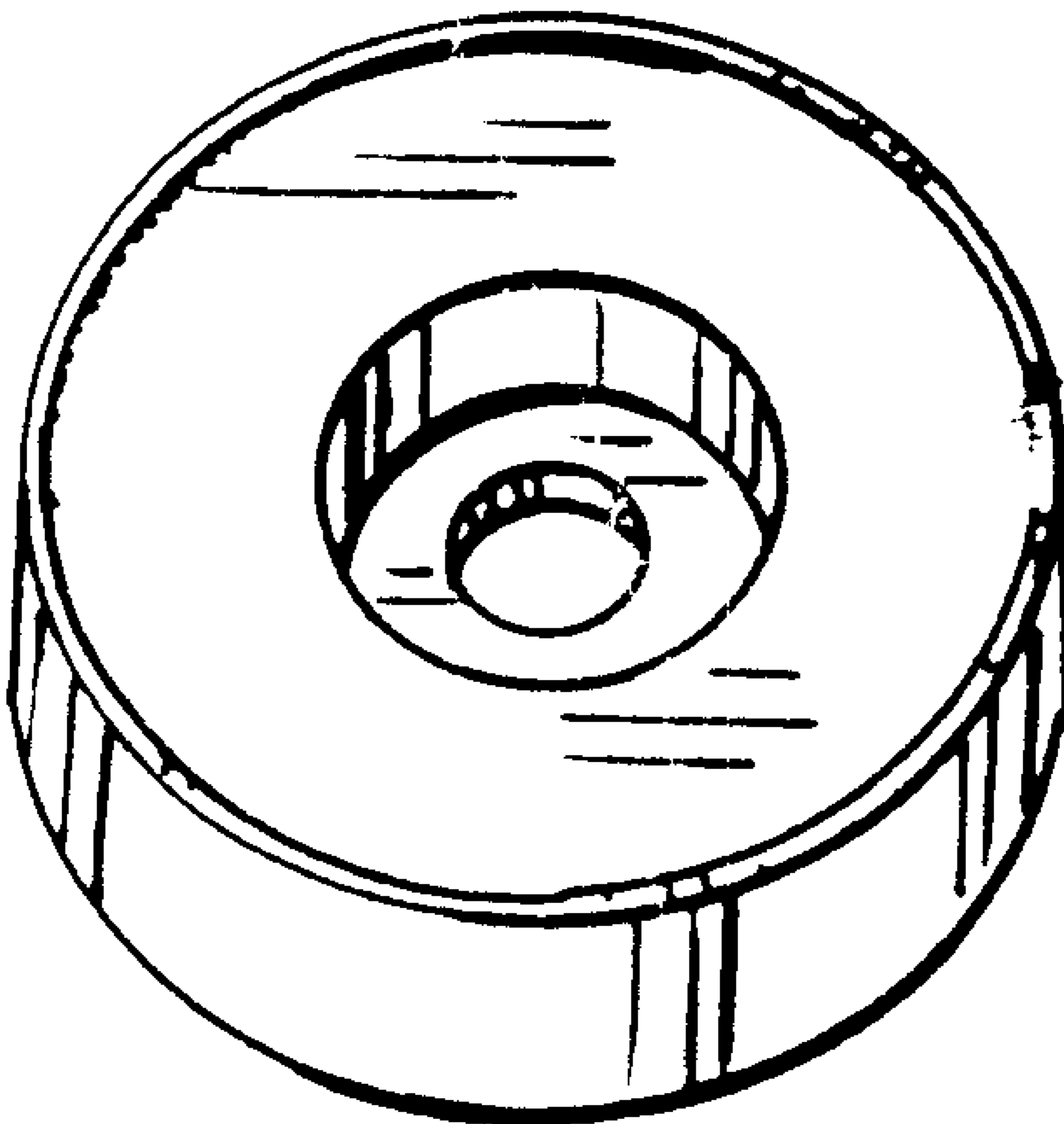
**FOREIGN PATENT DOCUMENTS**

FR 2738880 A3 \* 3/1997 ..... F16B/45/00  
JP 08226431 A \* 9/1996 ..... F16B/37/14

The broken line showing of logo text is for illustrative purposes only and forms no part of the claimed design.

\* cited by examiner

**1 Claim, 1 Drawing Sheet**



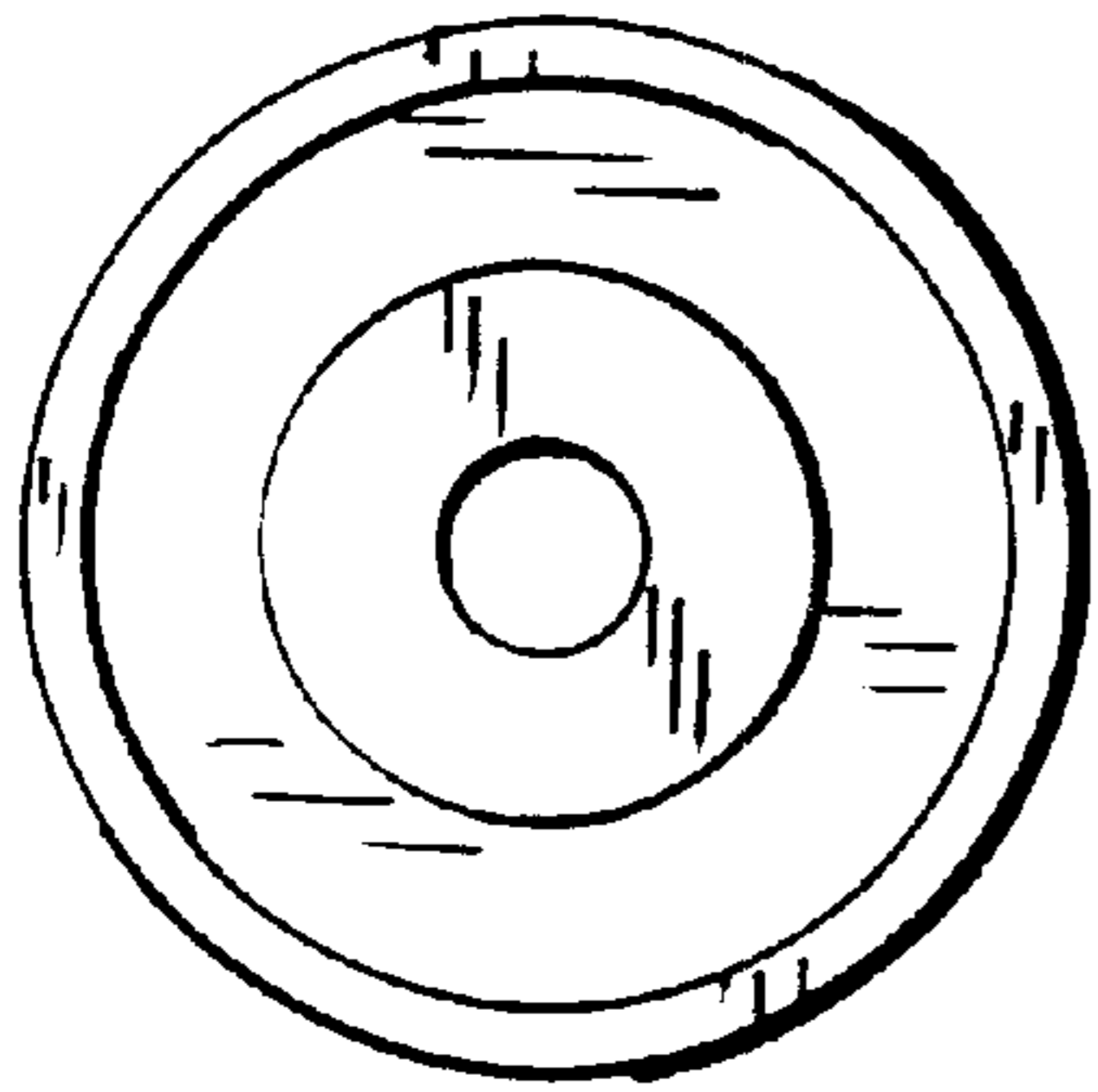


FIG. 1

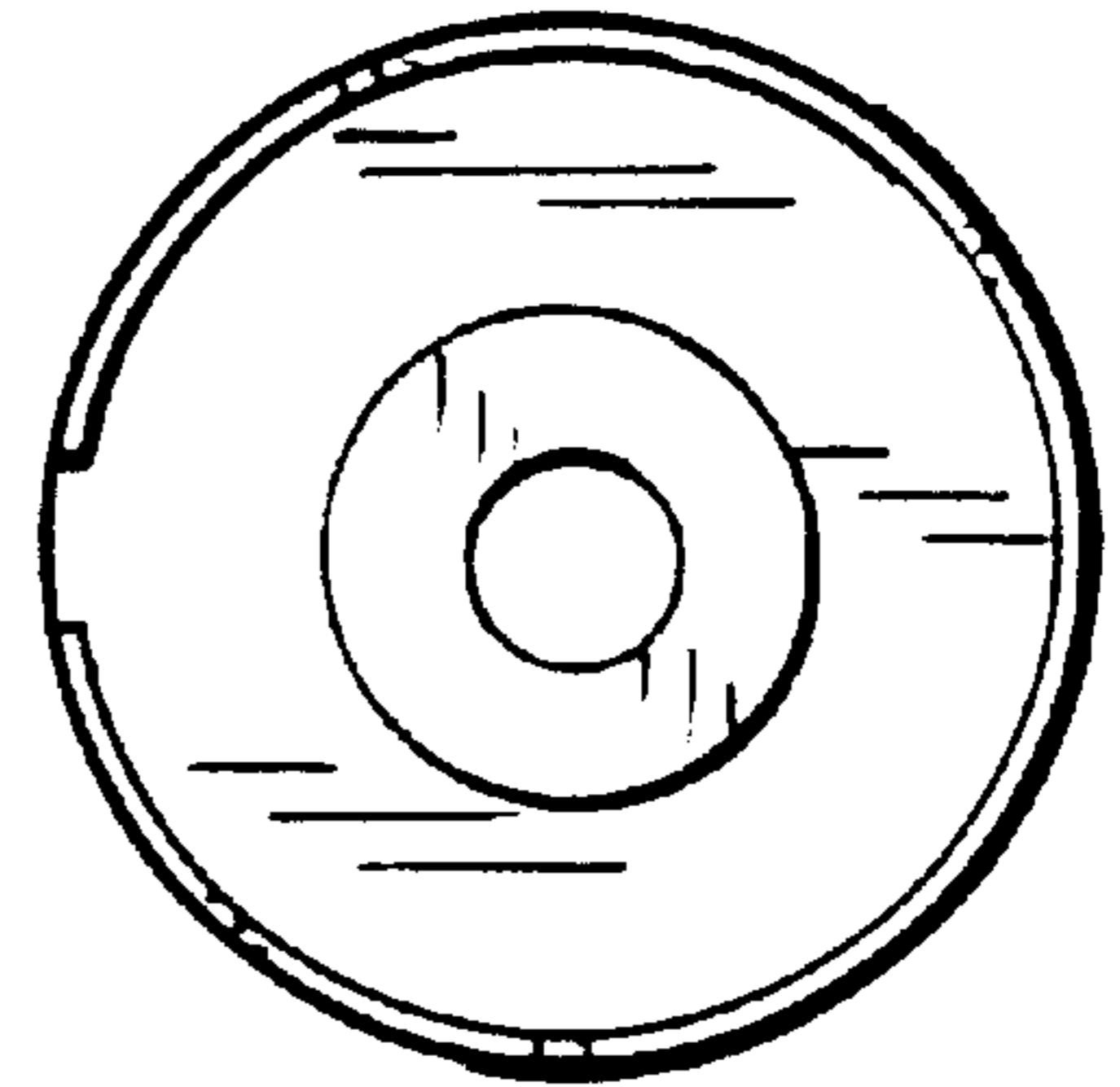


FIG. 2

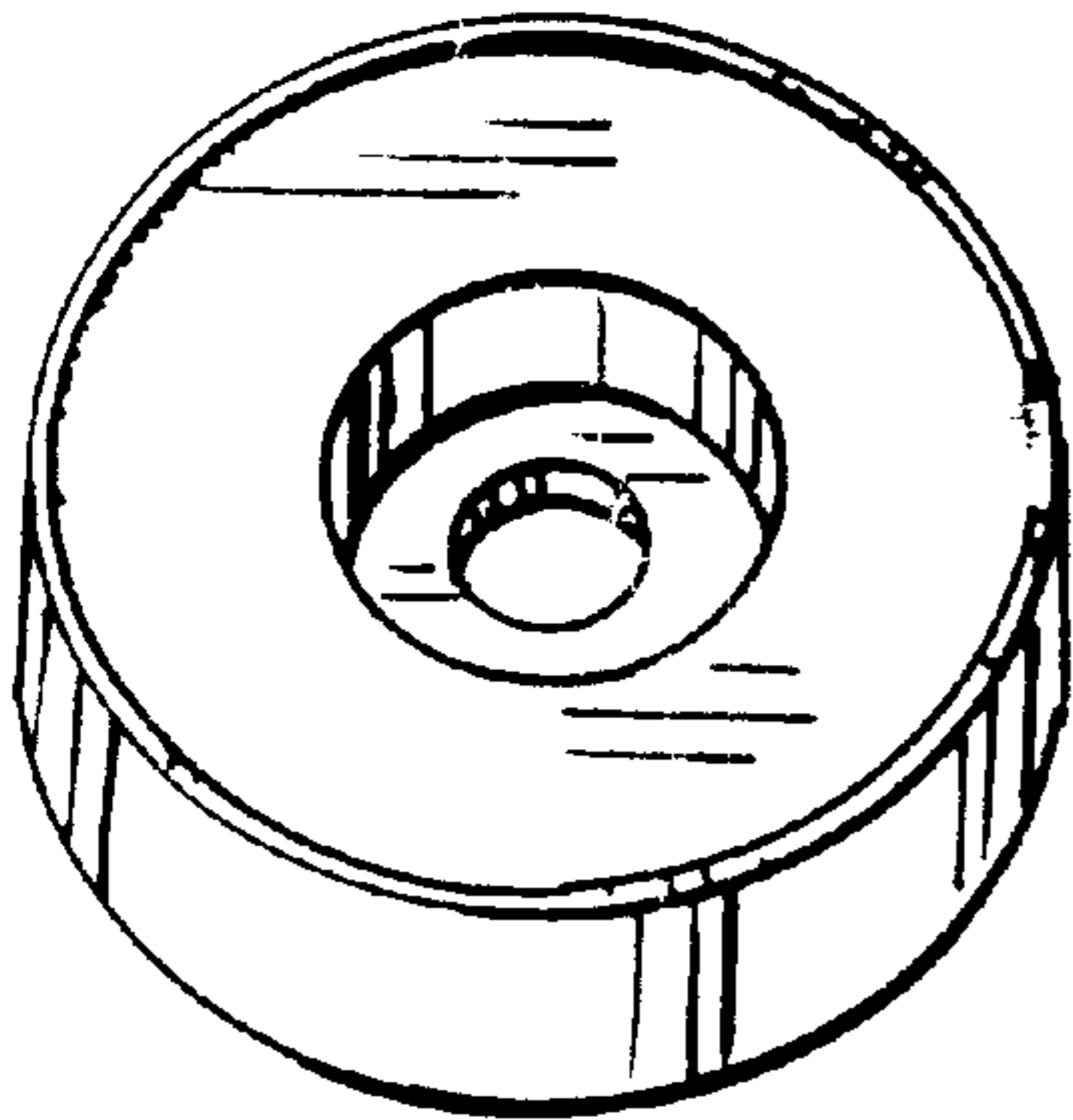


FIG. 3

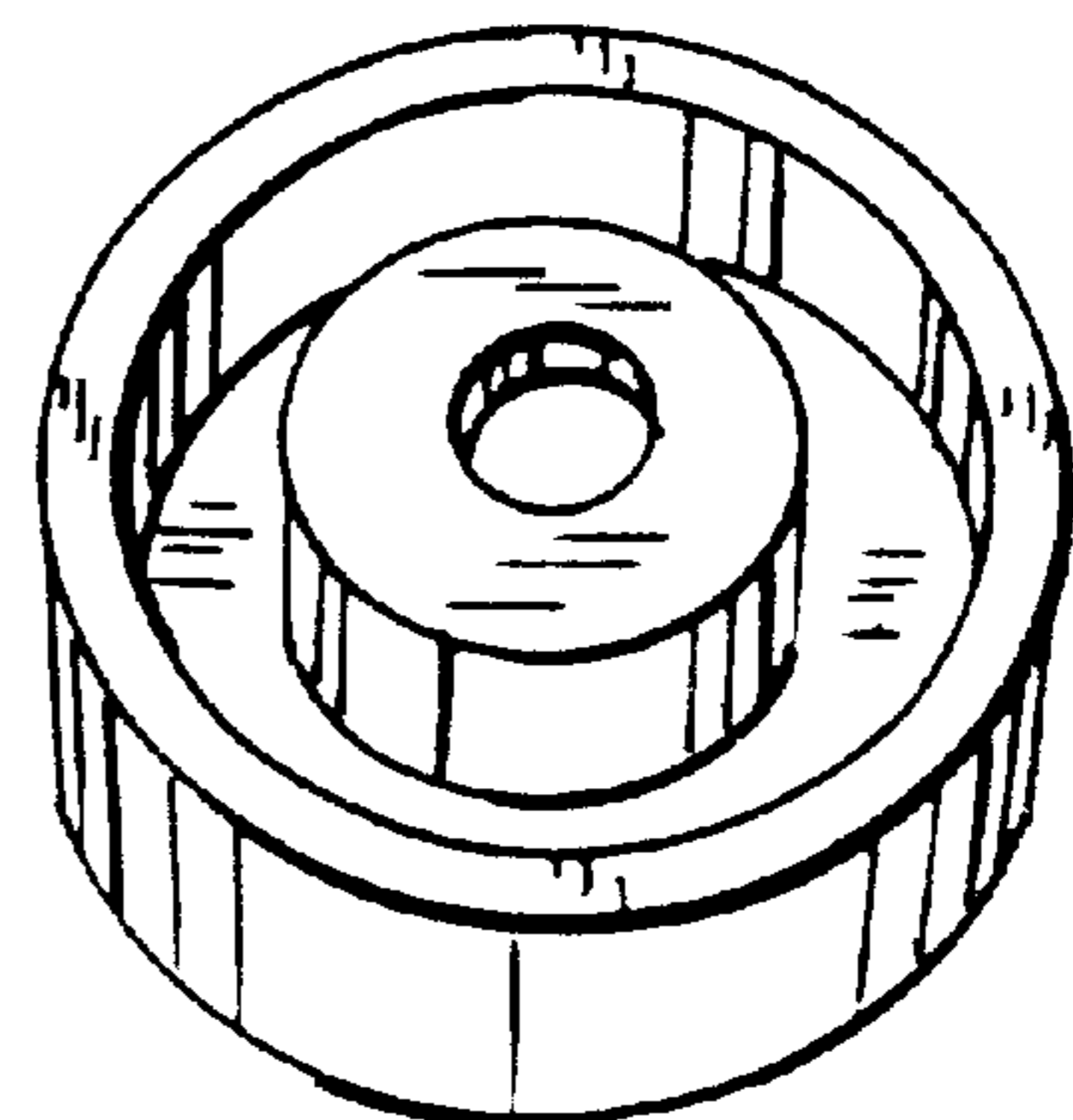


FIG. 4



FIG. 5

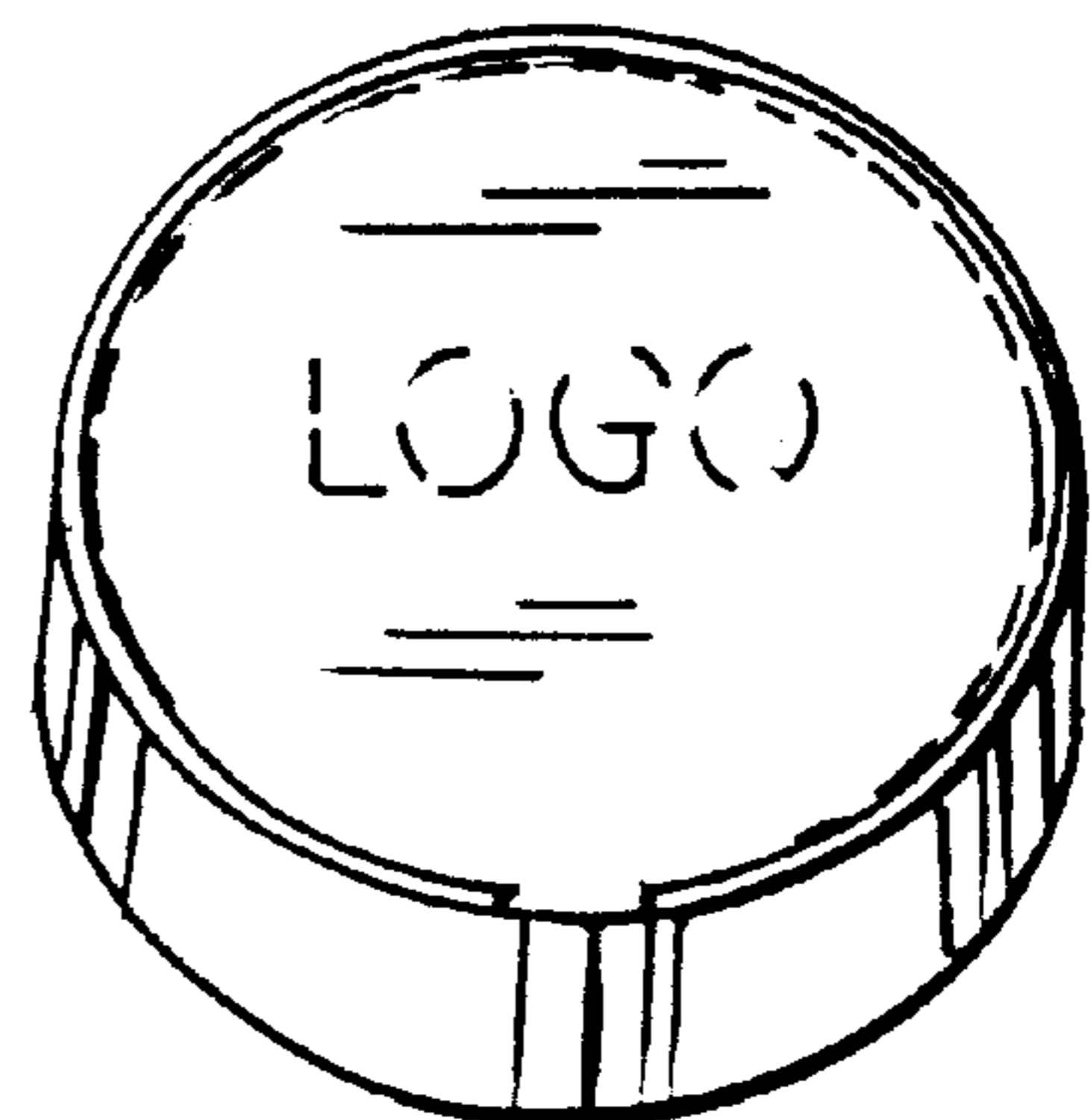


FIG. 6