



US00D483251S

(12) **United States Design Patent** (10) **Patent No.:** **US D483,251 S**  
**Suero, Jr.** (45) **Date of Patent:** **\*\* Dec. 9, 2003**

(54) **SHOWER ROD**

(75) Inventor: **Jose Suero, Jr.**, Newark, DE (US)

(73) Assignee: **Zenith Products Corp.**, New Castle, DE (US)

(\*\*) Term: **14 Years**

(21) Appl. No.: **29/173,799**

(22) Filed: **Jan. 7, 2003**

(51) **LOC (7) Cl.** ..... **08-05**

(52) **U.S. Cl.** ..... **D8/376**

(58) **Field of Search** ..... D8/376; 160/19, 160/38-39

(56) **References Cited**

**U.S. PATENT DOCUMENTS**

D440,864 S \* 4/2001 Cropelli ..... D8/376  
D466,399 S \* 12/2002 Jessee et al. .... D8/376

\* cited by examiner

*Primary Examiner*—Holly Baynham  
(74) *Attorney, Agent, or Firm*—Edgar A. Zarins; Lloyd D. Doigan

(57) **CLAIM**

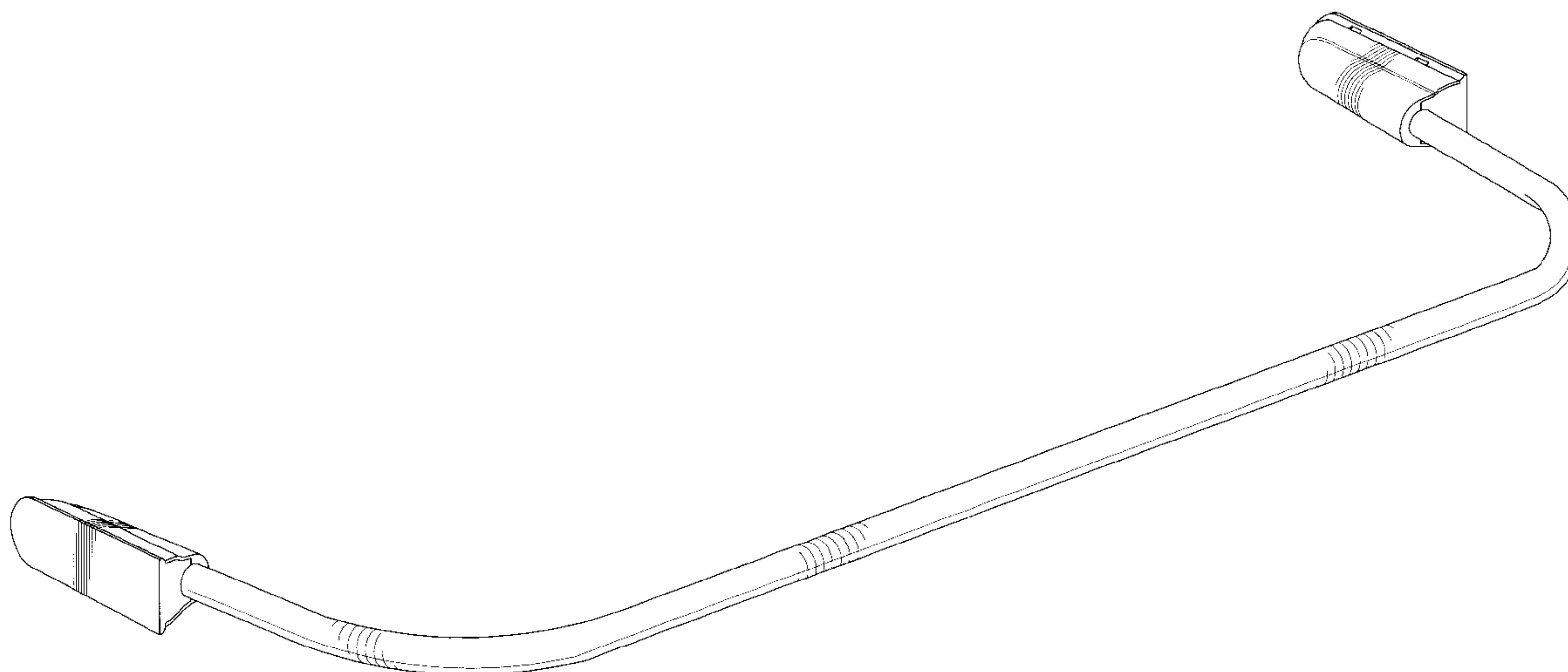
The ornamental design for a shower rod, as shown and described.

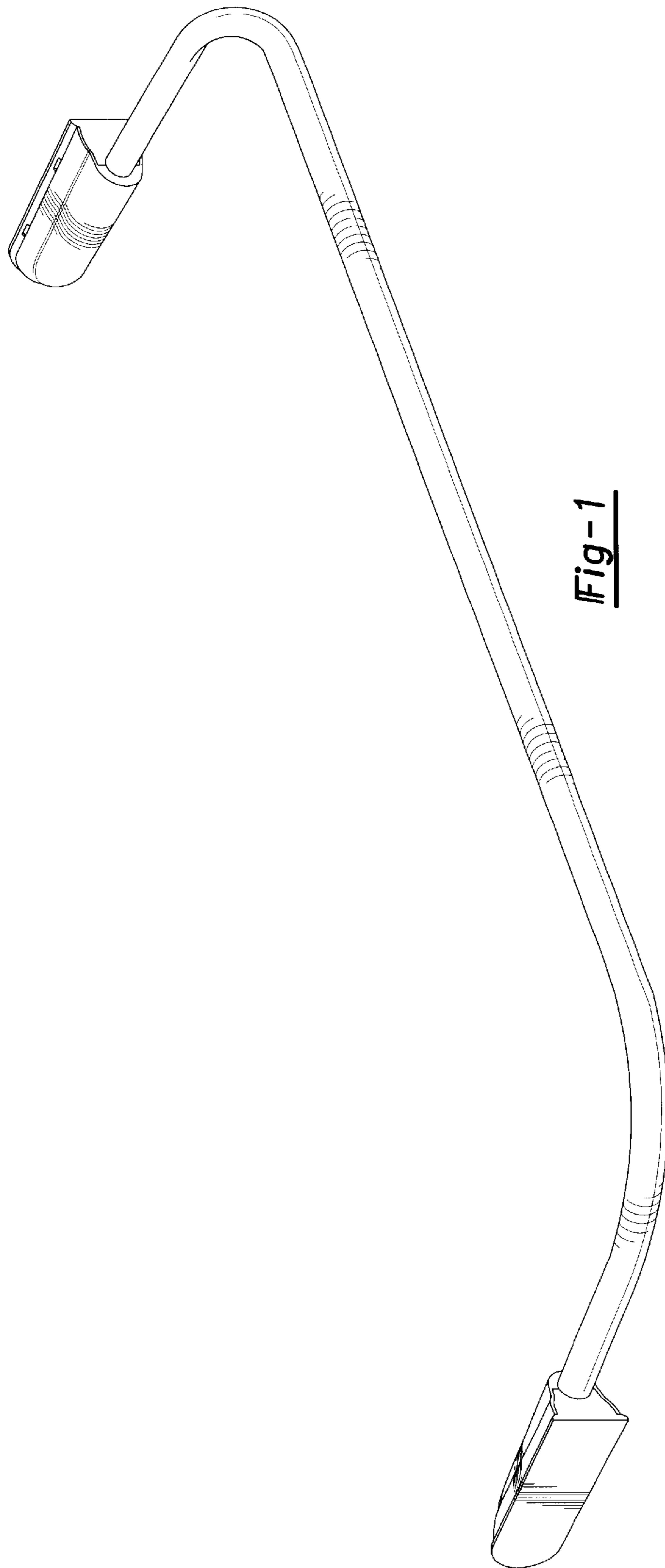
**DESCRIPTION**

FIG. 1 is a perspective view of a shower rod showing my new design;  
FIG. 2 is an enlarged first end view of a stanchion for the shower rod;  
FIG. 3 is a second end view of the stanchion;  
FIG. 4 is a side view of the stanchion, the opposite side view being a mirror image of the side shown;  
FIG. 5 is a top plan view thereof; and,  
FIG. 6 is a bottom plan view thereof.

The stanchion element of the shower rod has been shown detached and fragmented for clarity of illustration.

**1 Claim, 3 Drawing Sheets**





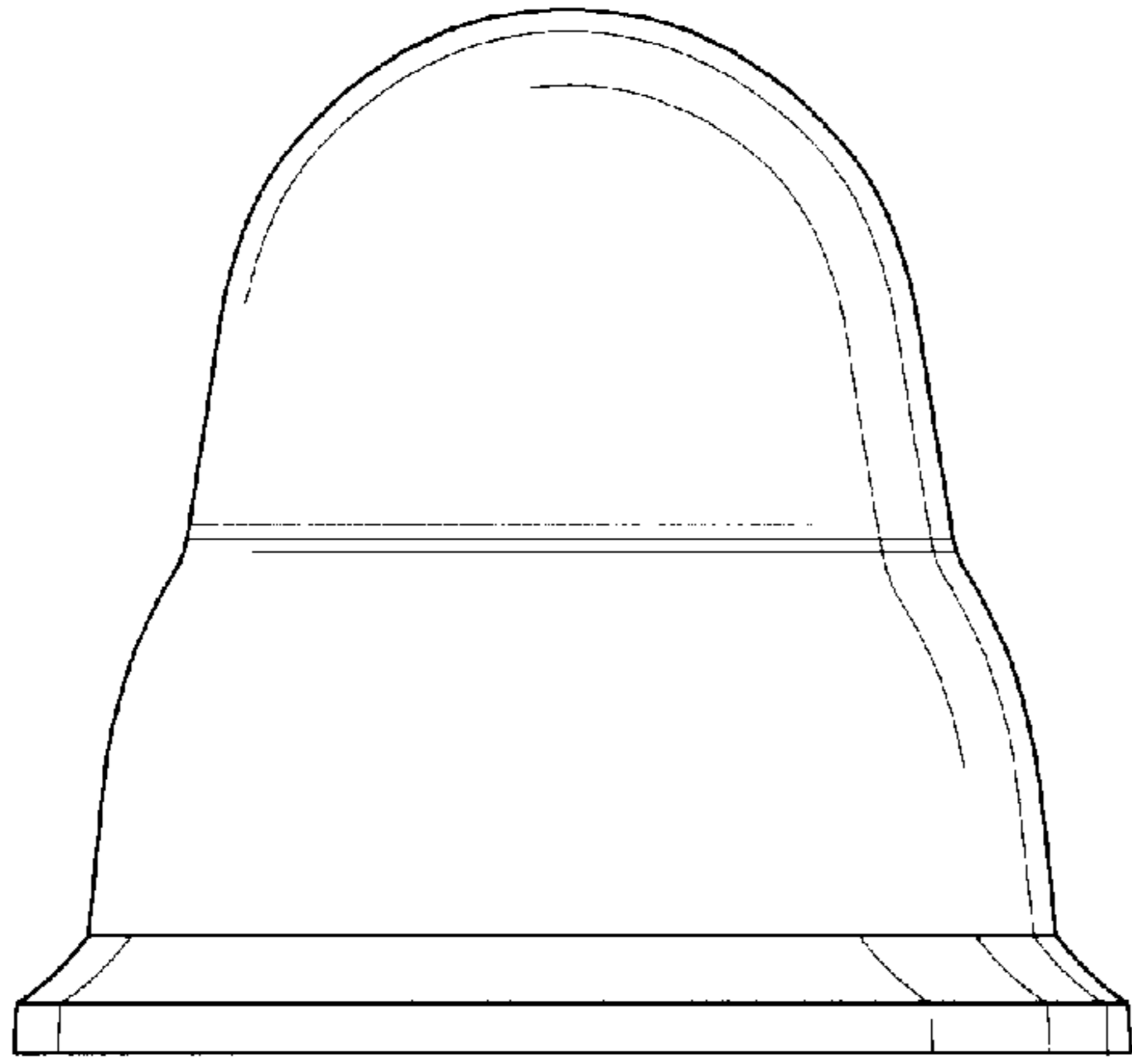


Fig-2

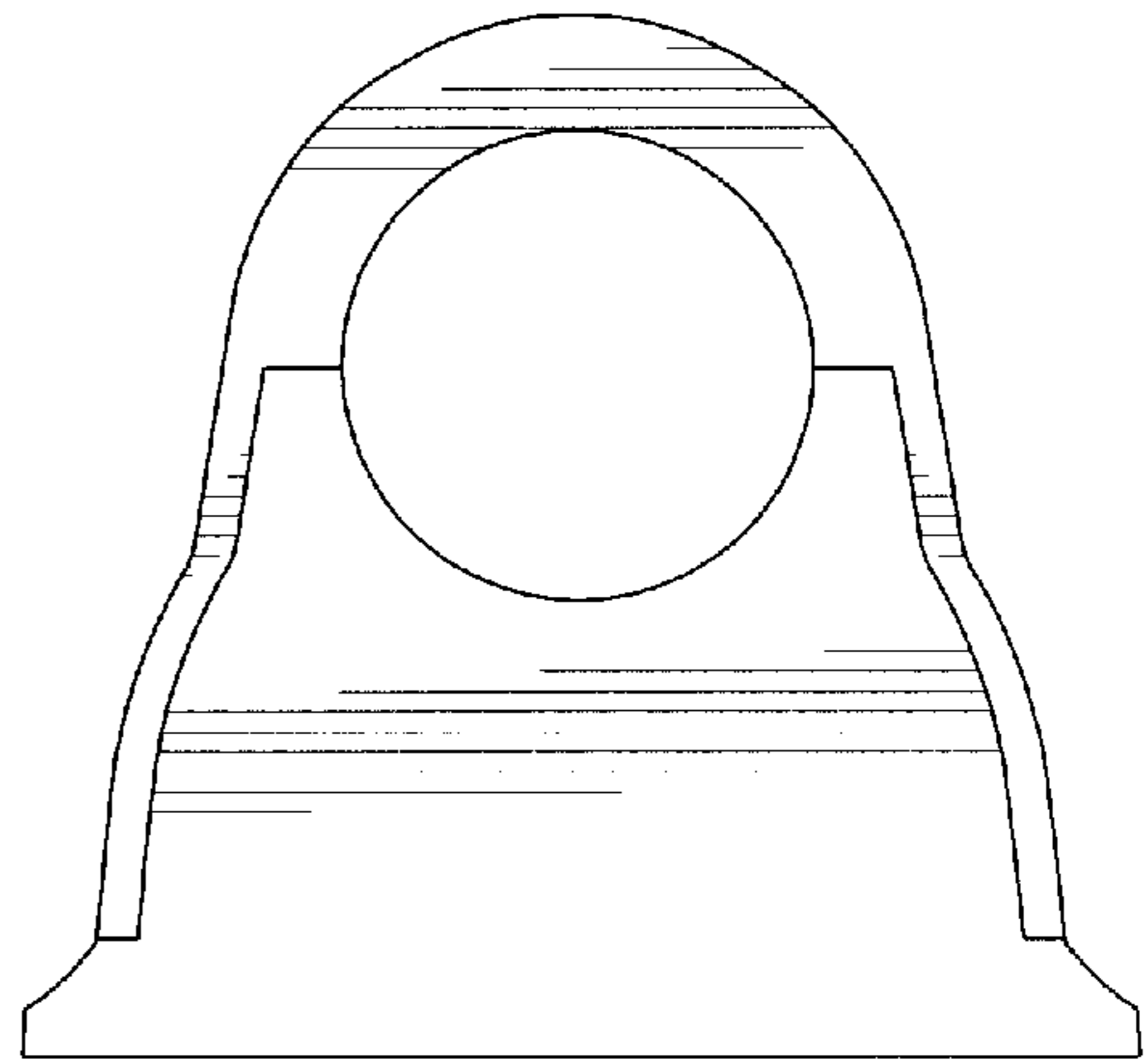


Fig-3

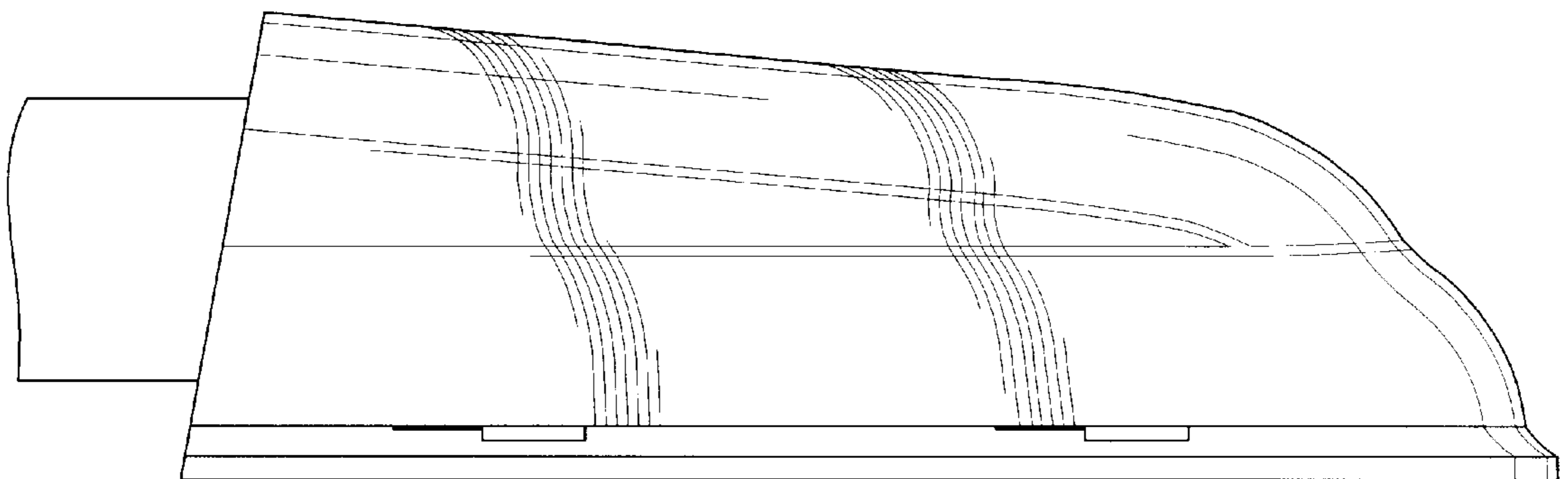


Fig-4

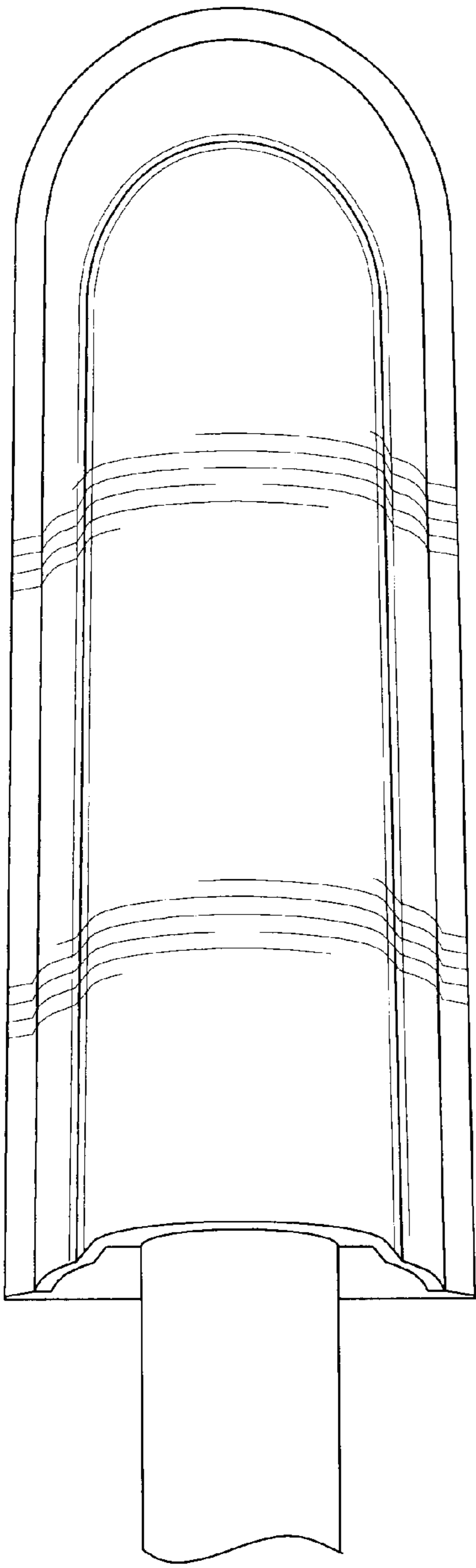


Fig-5

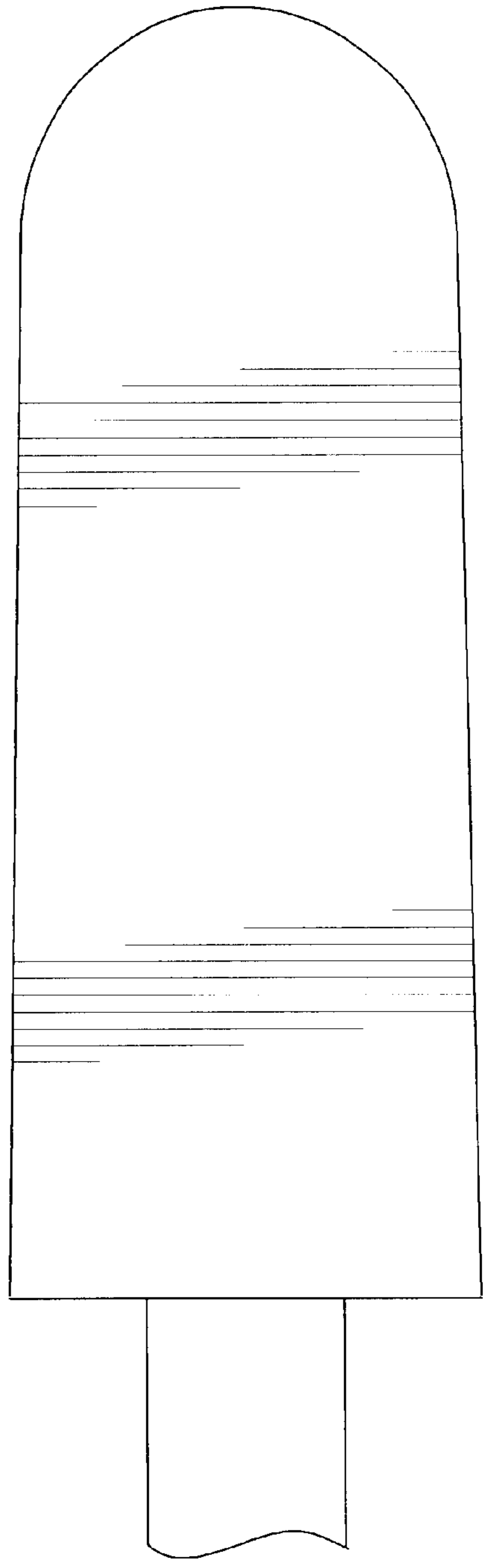


Fig-6