



US00D483248S

(12) **United States Design Patent**  
**Roman**

(10) **Patent No.:** **US D483,248 S**

(45) **Date of Patent:** **\*\* Dec. 9, 2003**

(54) **HOSE WINDING DEVICE**

(75) Inventor: **Gianfranco Roman**, Pasiano (IT)

(73) Assignee: **Claber S.p.A.** (IT)

(\*\*) Term: **14 Years**

(21) Appl. No.: **29/133,197**

(22) Filed: **Nov. 24, 2000**

(30) **Foreign Application Priority Data**

May 25, 2000 (IT) ..... MI200000363

(51) **LOC (7) Cl.** ..... **08-05**

(52) **U.S. Cl.** ..... **D8/359**

(58) **Field of Search** ..... D8/349, 354, 356,  
D8/357, 358, 359; 191/12.2 R; 206/389;  
239/195; 242/118, 118.4, 118.6, 118.62,  
128, 129, 129.5, 129.51, 129.6, 129.62,  
134, 137, 395, 398, 403, 405, 405.1, 405.2,  
405.3, 407

(56) **References Cited**

**U.S. PATENT DOCUMENTS**

98,000 A \* 12/1869 Weston ..... 242/395

2,428,446 A \* 10/1947 Beede ..... 191/12.2 R  
D334,334 S \* 3/1993 Jarry ..... D8/358  
D334,882 S \* 4/1993 Bunch ..... D8/358  
D365,012 S \* 12/1995 Sather ..... D8/359  
D390,095 S \* 2/1998 Spear et al. .... D8/359  
D436,521 S \* 1/2001 Stump ..... D8/359

\* cited by examiner

*Primary Examiner*—Doris V. Coles

*Assistant Examiner*—Elizabeth A. Albert

(74) *Attorney, Agent, or Firm*—Akerman Senterfitt

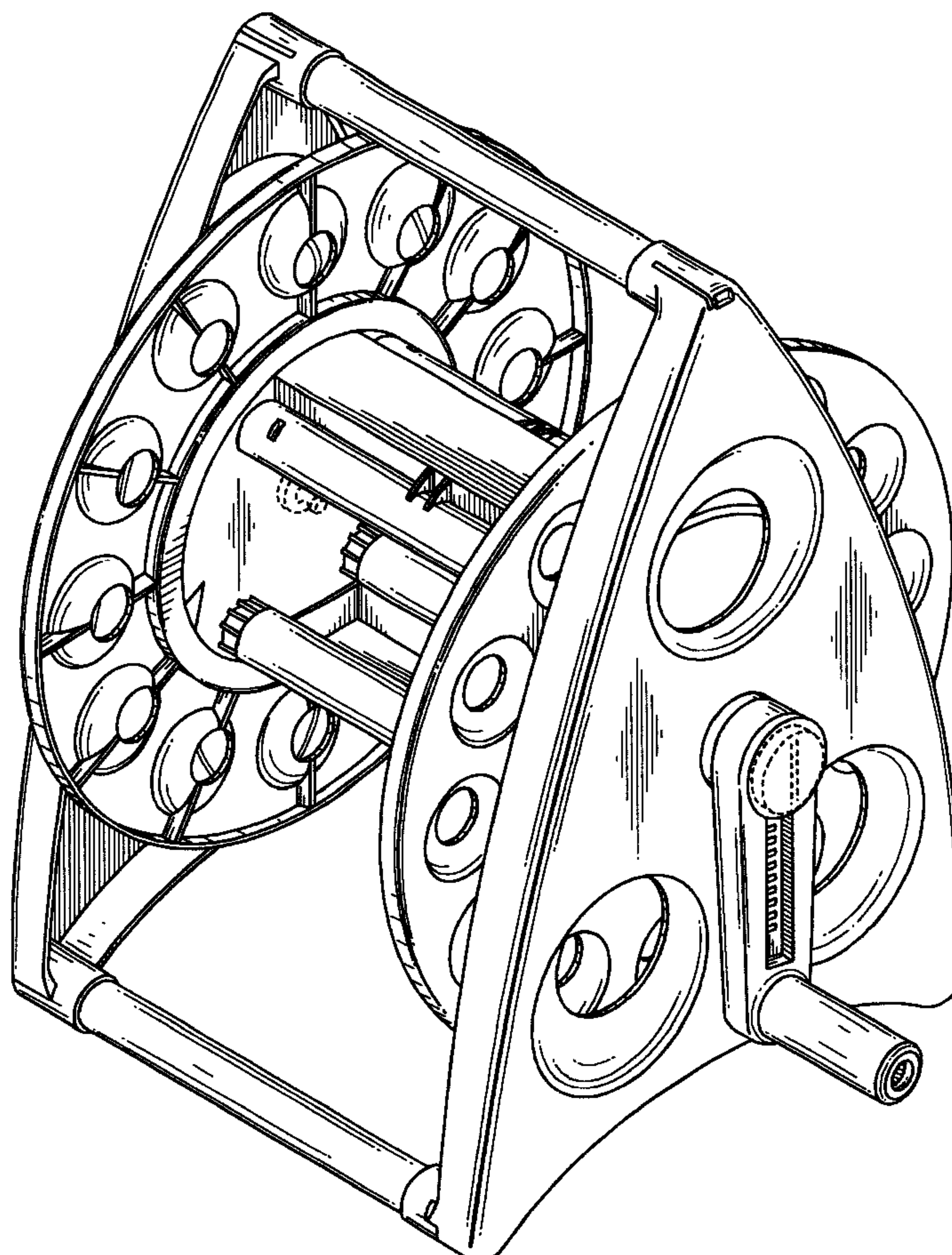
(57) **CLAIM**

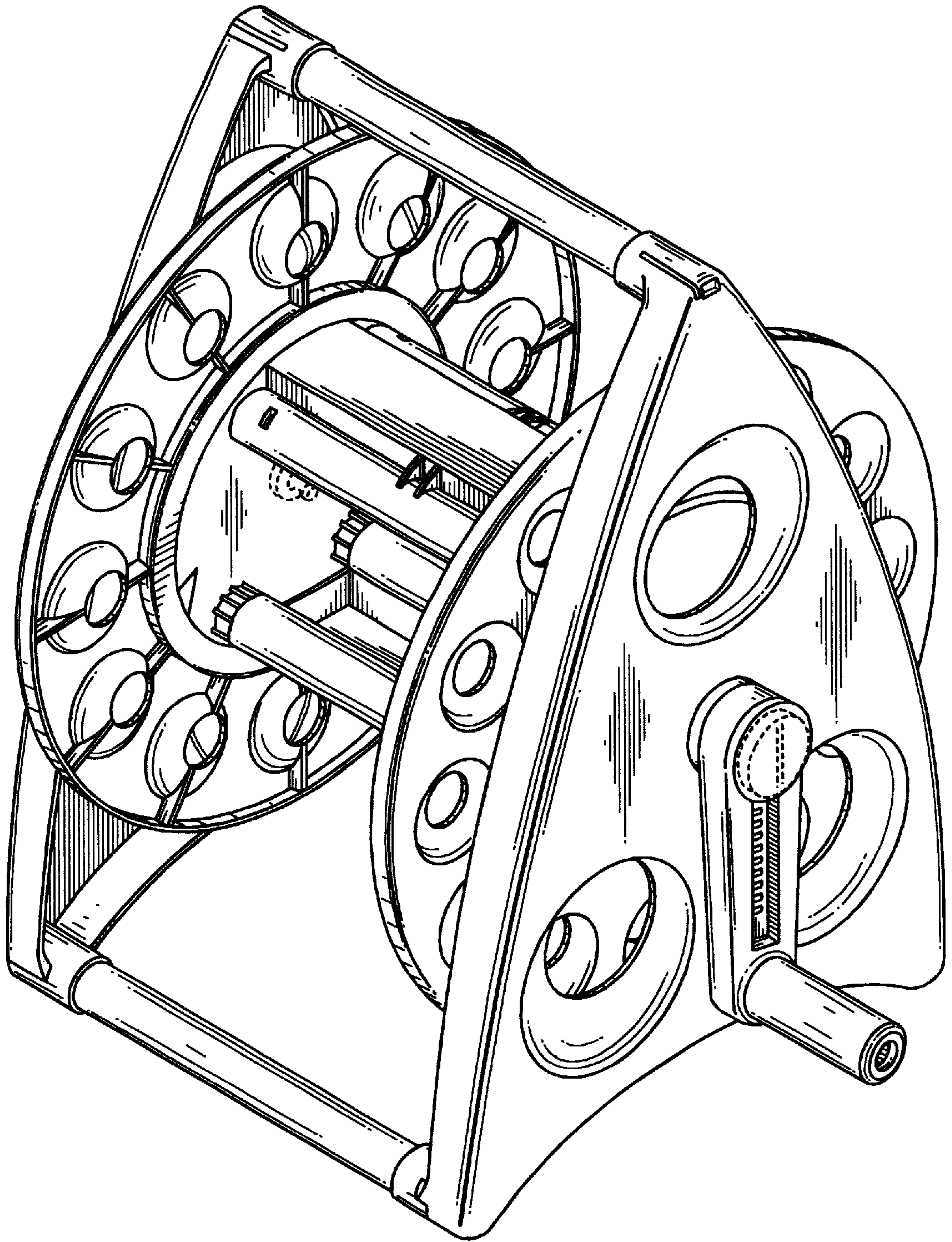
The ornamental Design for “hose winding device”, substantially as shown.

**DESCRIPTION**

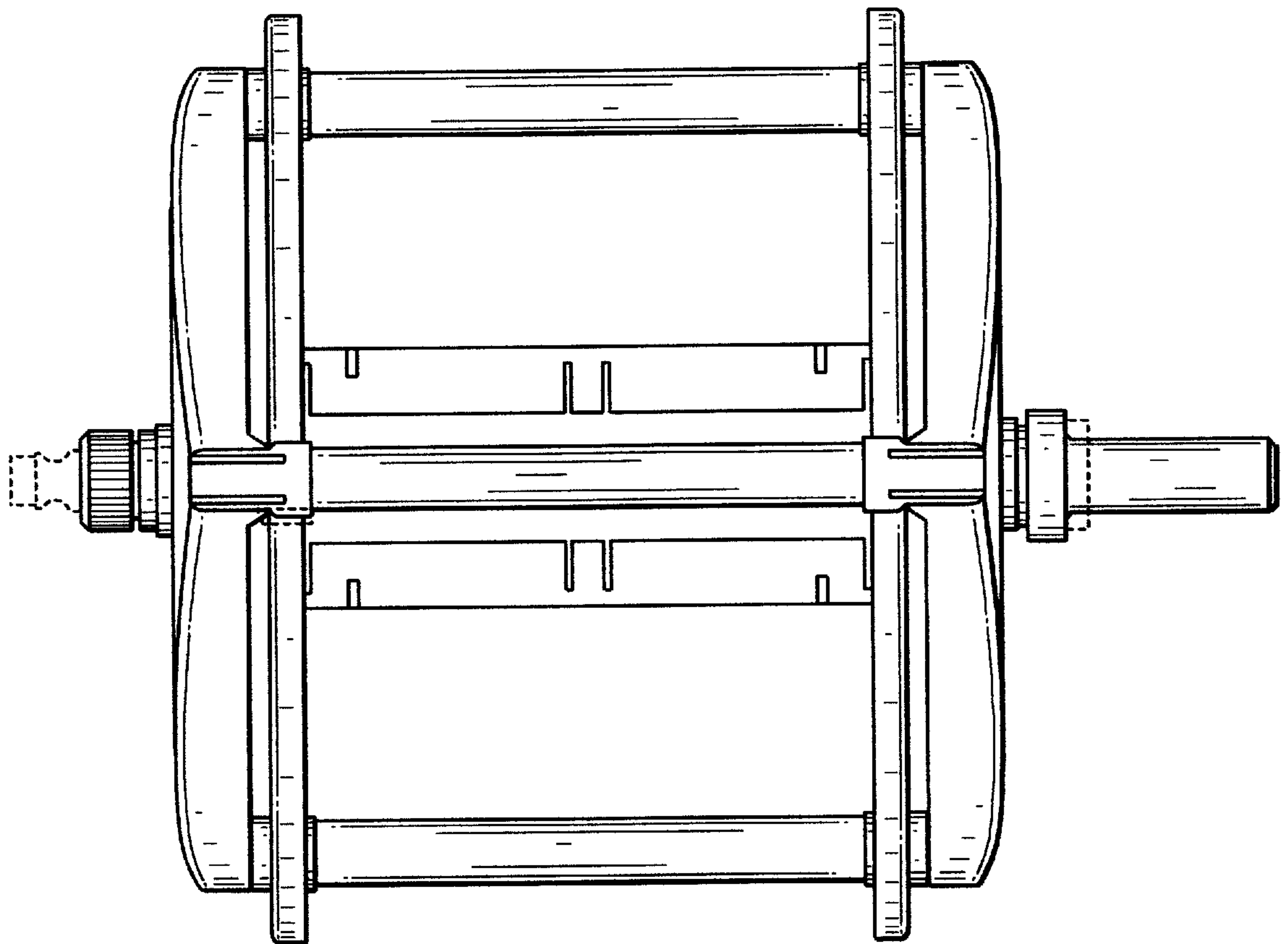
FIG. 1 is a perspective view of my new hose winding device; FIG. 2 is a top plan view of my hose winding device; FIG. 3 is a right-hand view of my hose winding device; FIG. 4 is a front view of my hose winding device; and, FIG. 5 is a left-hand view of my hose winding device. The broken lines showing environment in the drawings are for illustrative purposes only and form no part of the claimed design.

**1 Claim, 5 Drawing Sheets**



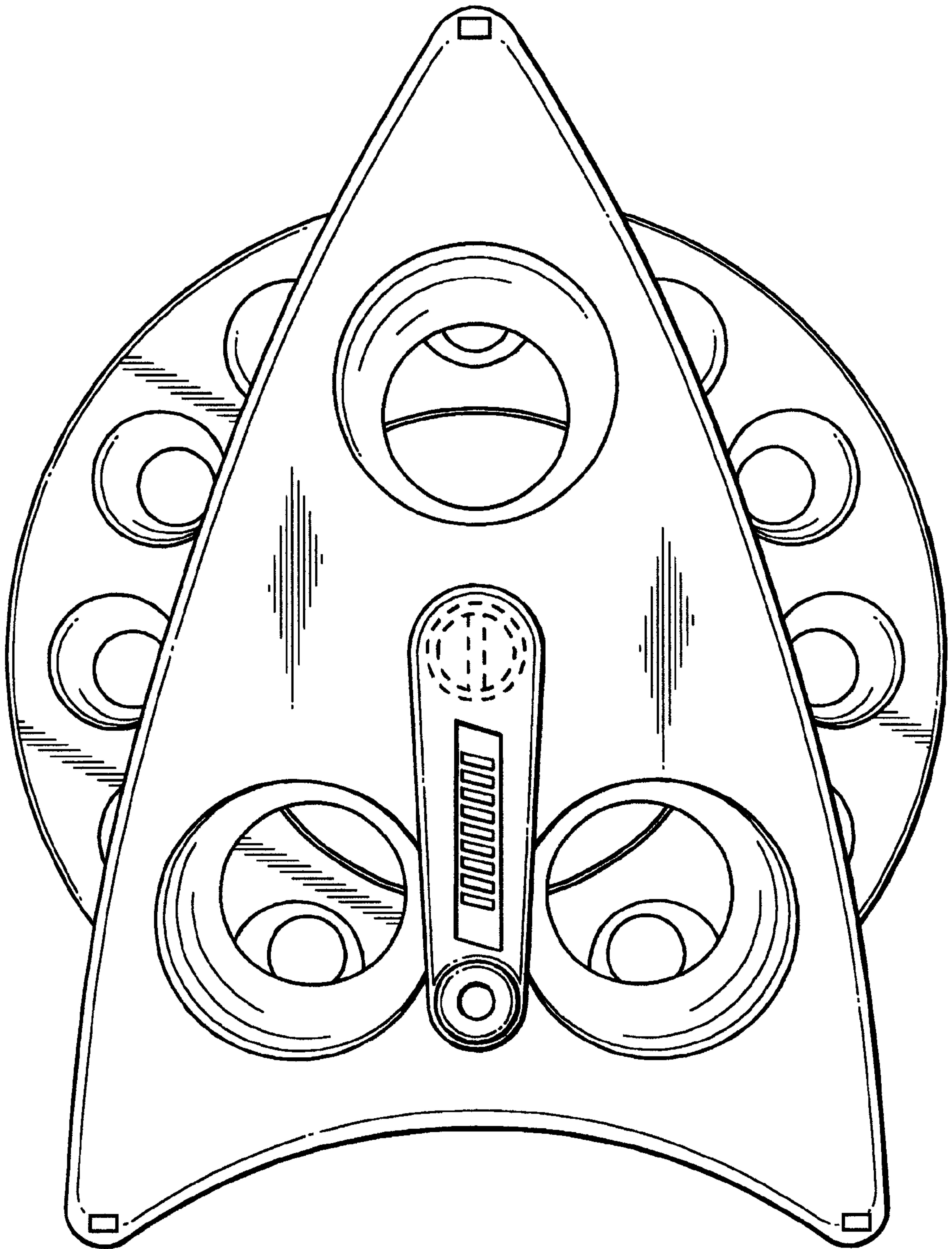


**FIG. 1**

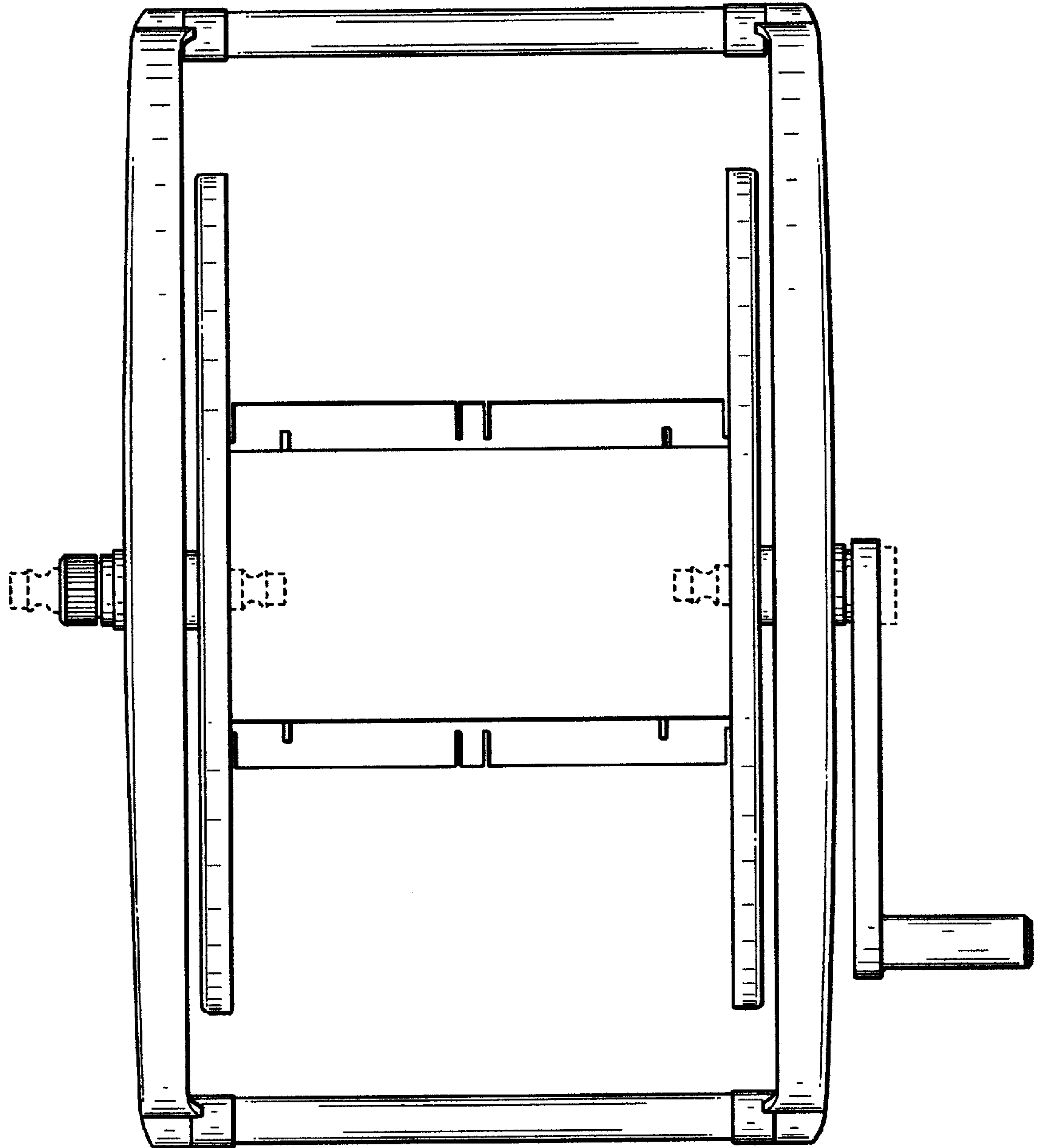


**FIG. 2**

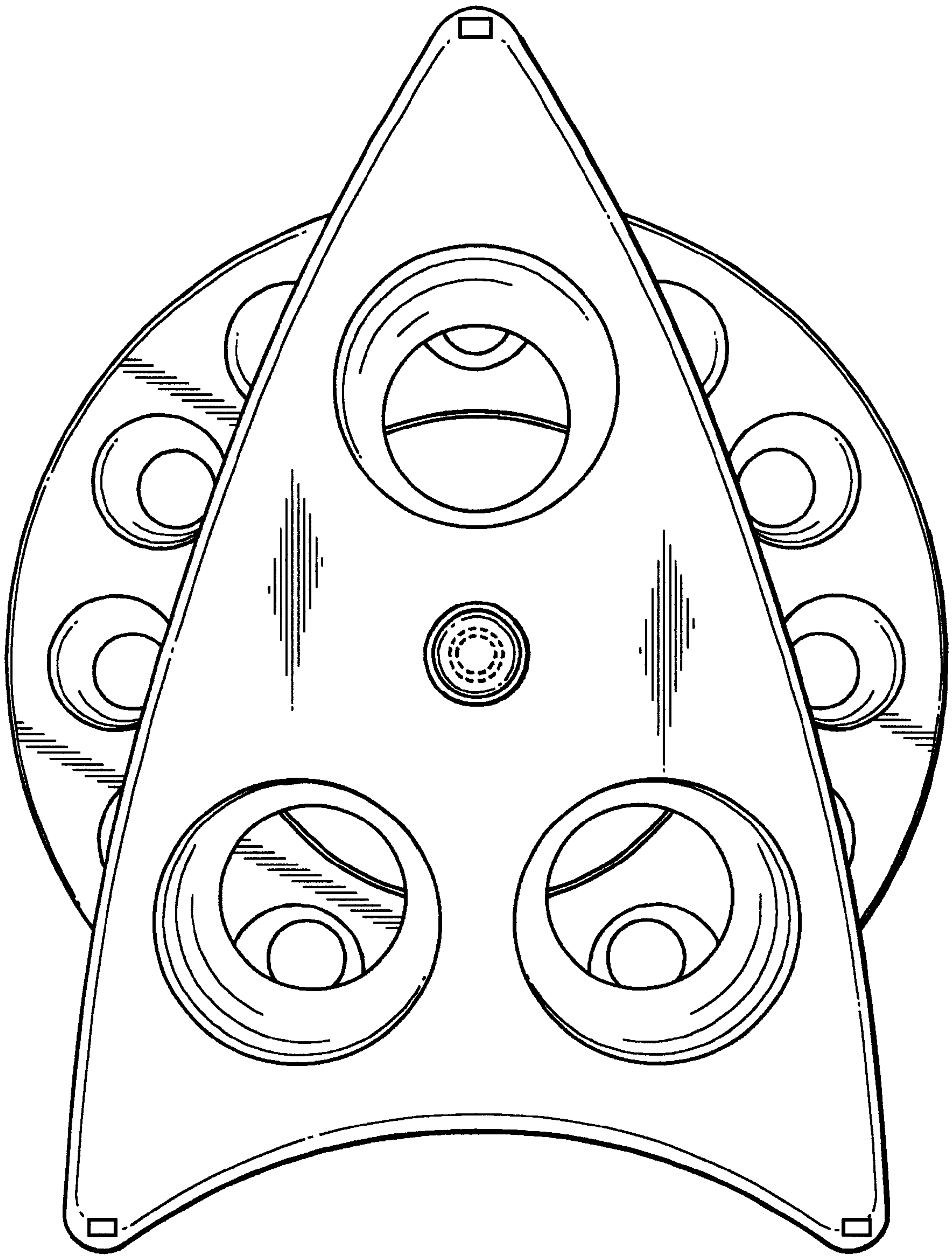




**FIG. 3**



**FIG. 4**



**FIG. 5**