



US00D483247S

(12) **United States Design Patent**
Pugh

(10) **Patent No.:** **US D483,247 S**

(45) **Date of Patent:** **** Dec. 9, 2003**

(54) **RETRACTABLE CLEAT**

(75) Inventor: **John Pugh**, Mercer Island, WA (US)

(73) Assignee: **Marine Hardware, Inc.**, Redmond, WA (US)

(**) Term: **14 Years**

(21) Appl. No.: **29/161,285**

(22) Filed: **May 24, 2002**

(51) **LOC (7) Cl.** **08-05**

(52) **U.S. Cl.** **D8/356**

(58) **Field of Search** D8/301, 313, 356;
D12/317; 24/129 R, 115 G, 115 J; 114/119,
218, 230.1; 248/499, 500; 292/347; 410/107,
110, 111

(56) **References Cited**

U.S. PATENT DOCUMENTS

4,672,909	A	*	6/1987	Sweetsir	114/218
4,689,976	A	*	9/1987	Larsen	70/208
4,708,083	A	*	11/1987	Billings	114/230
D300,721	S	*	4/1989	Whitely, II	D8/356
4,945,849	A	*	8/1990	Morris et al.	114/218
5,106,248	A	*	4/1992	Harris	410/107
5,301,627	A	*	4/1994	Czipri	114/218
5,535,694	A	*	7/1996	Czipri	114/218
5,826,531	A	*	10/1998	Havnaer, Jr.	114/218

5,983,820	A	*	11/1999	Whitely	114/218
6,125,779	A	*	10/2000	Czipri	114/218
6,234,101	B1	*	5/2001	Czipri	114/218
D458,891	S	*	6/2002	Whitely	D12/317

* cited by examiner

Primary Examiner—Doris V. Coles

Assistant Examiner—Elizabeth A. Albert

(74) *Attorney, Agent, or Firm*—Jensen & Puntigam, PS

(57) **CLAIM**

The ornamental design for a retractable cleat, substantially as shown and described.

DESCRIPTION

FIG. 1 is a perspective view of a retractable cleat embodying my design;

FIG. 2 is a front elevational view of the cleat shown in FIG. 1.

FIG. 3 is a side elevational view of the cleat shown in FIG. 1.

FIG. 4 is a top plan view of the cleat shown in FIG. 1.

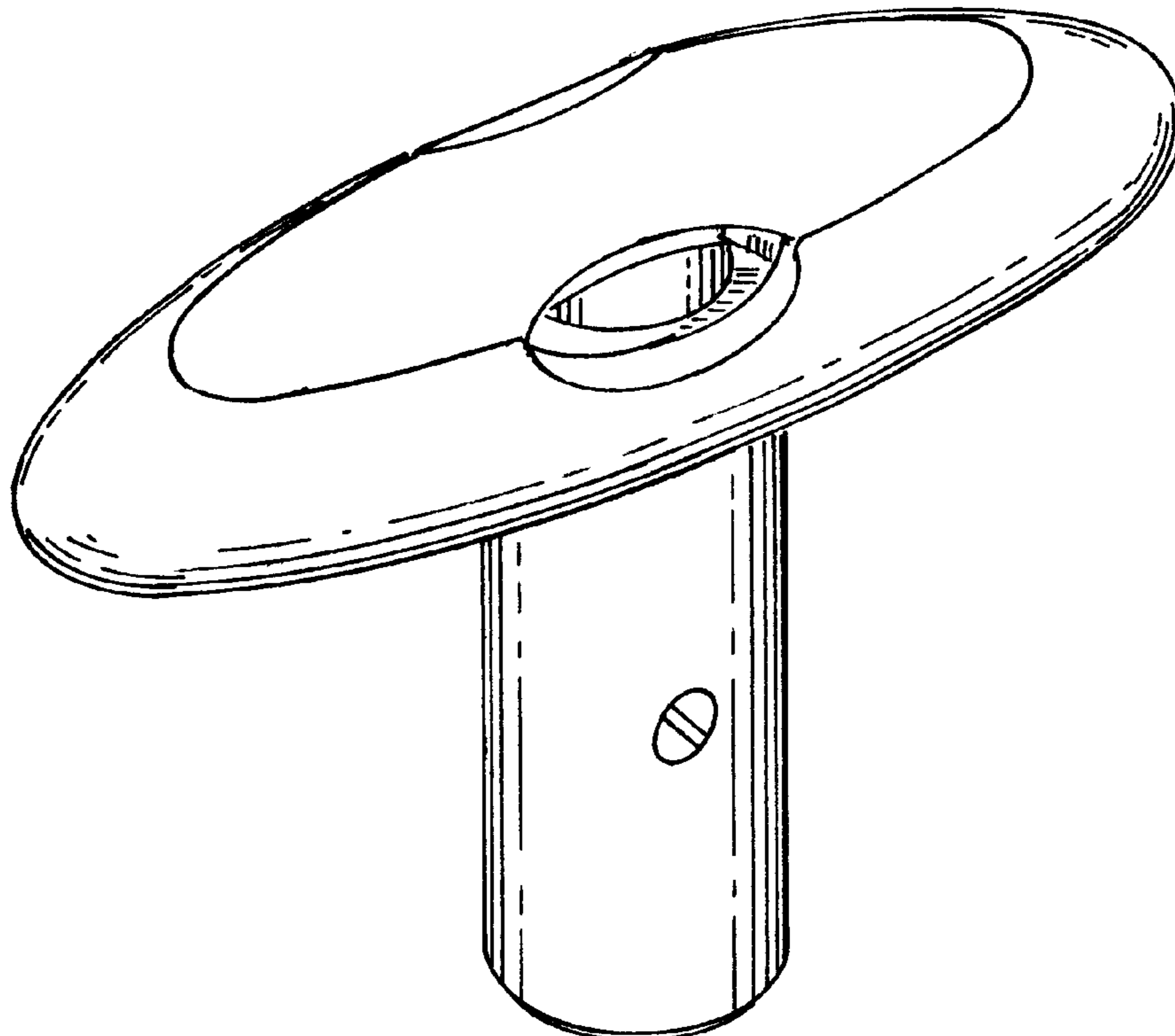
FIG. 5 is a bottom plan view of the cleat shown in FIG. 1.

FIG. 6 is a front elevational view of the cleat shown in FIG. 1 in the extended condition.

FIG. 7 is a side elevational view of the cleat shown in FIG. 1 in the extended condition; and,

FIG. 8 is an exploded view of the cleat shown in FIG. 1.

1 Claim, 3 Drawing Sheets



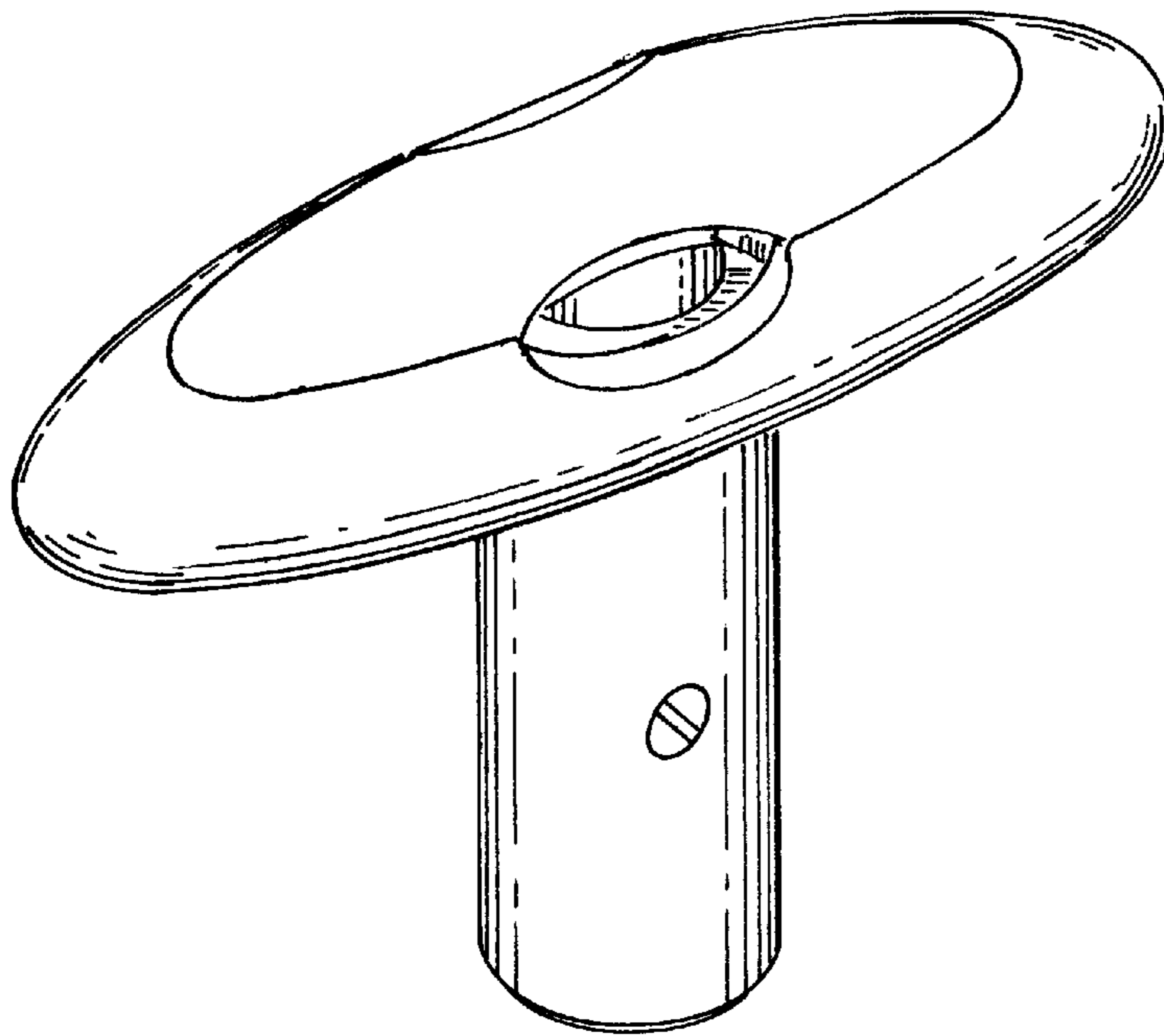


FIG. 1

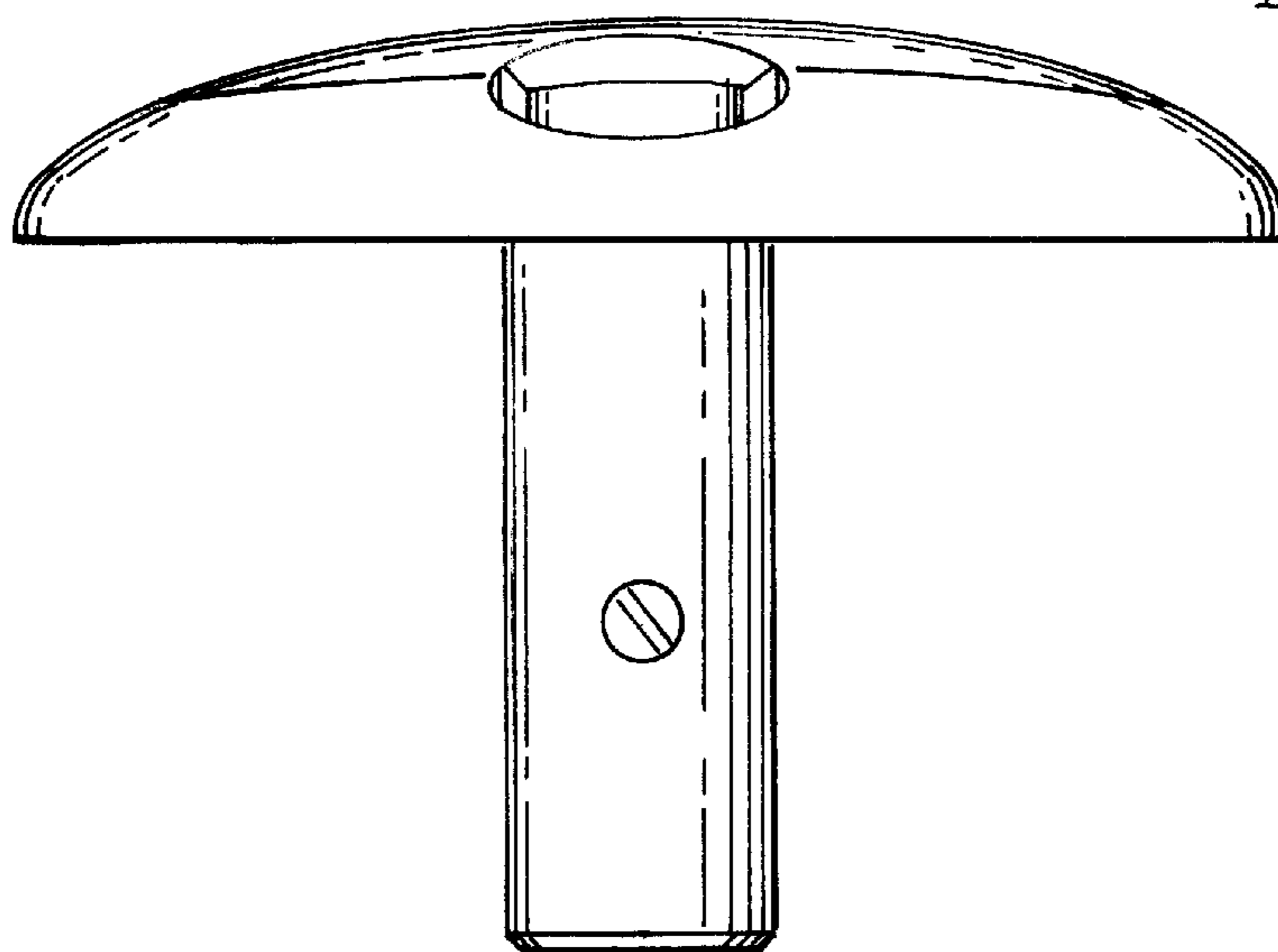


FIG. 2

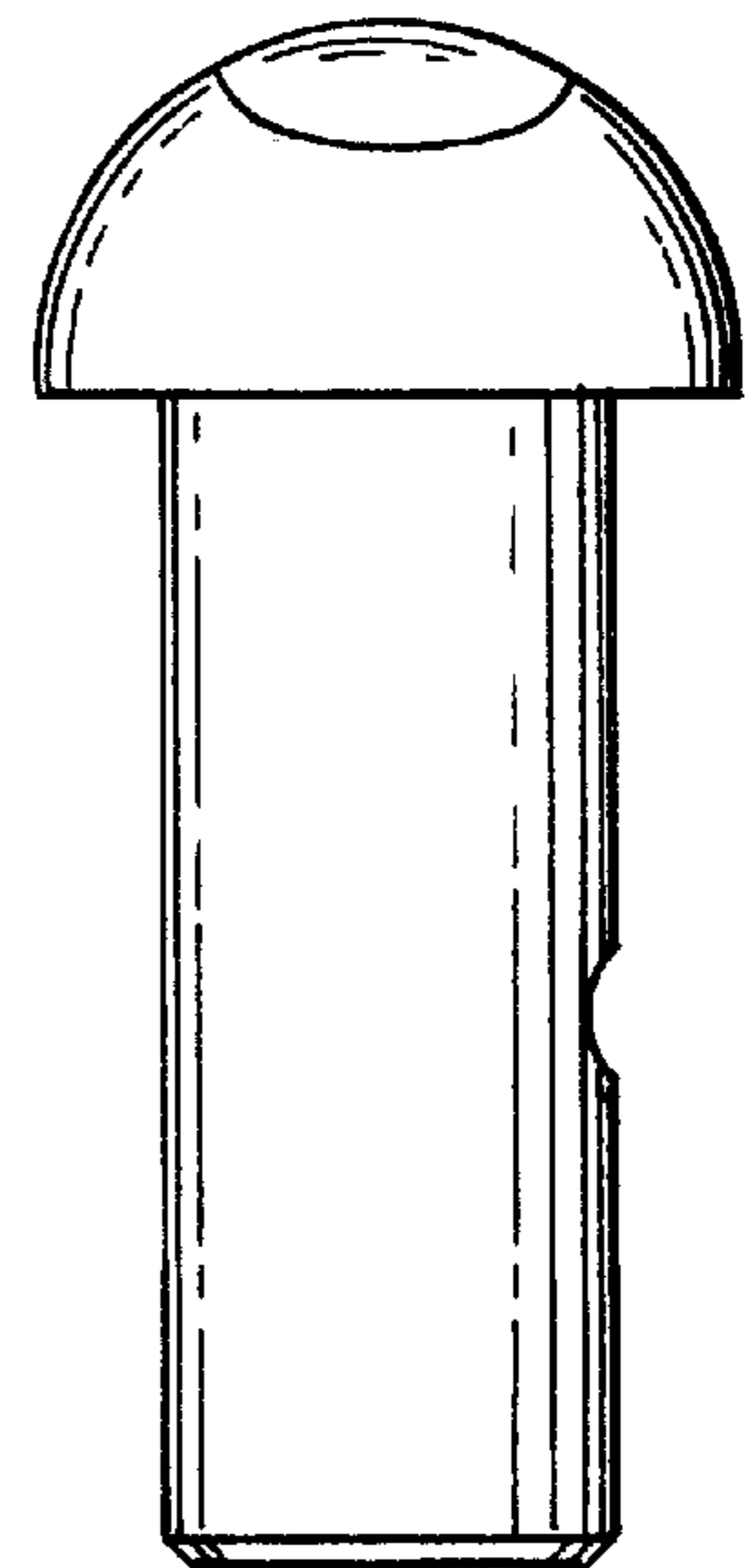


FIG. 3

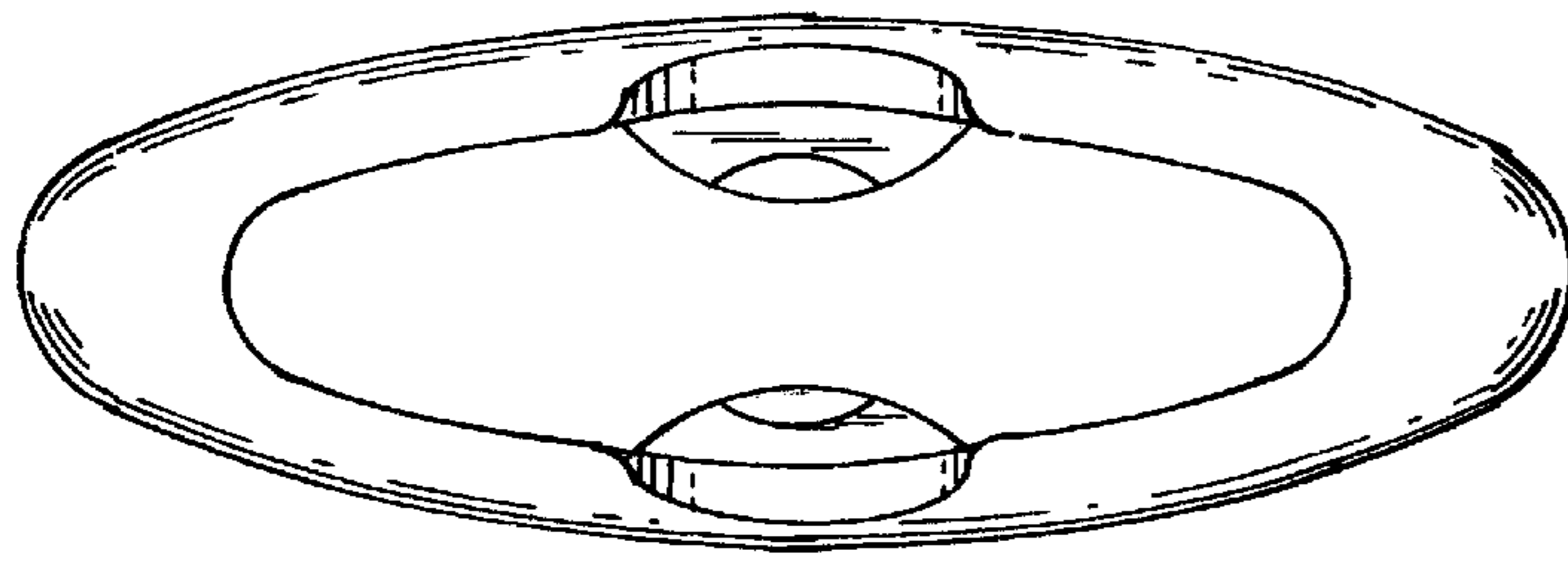


FIG. 4

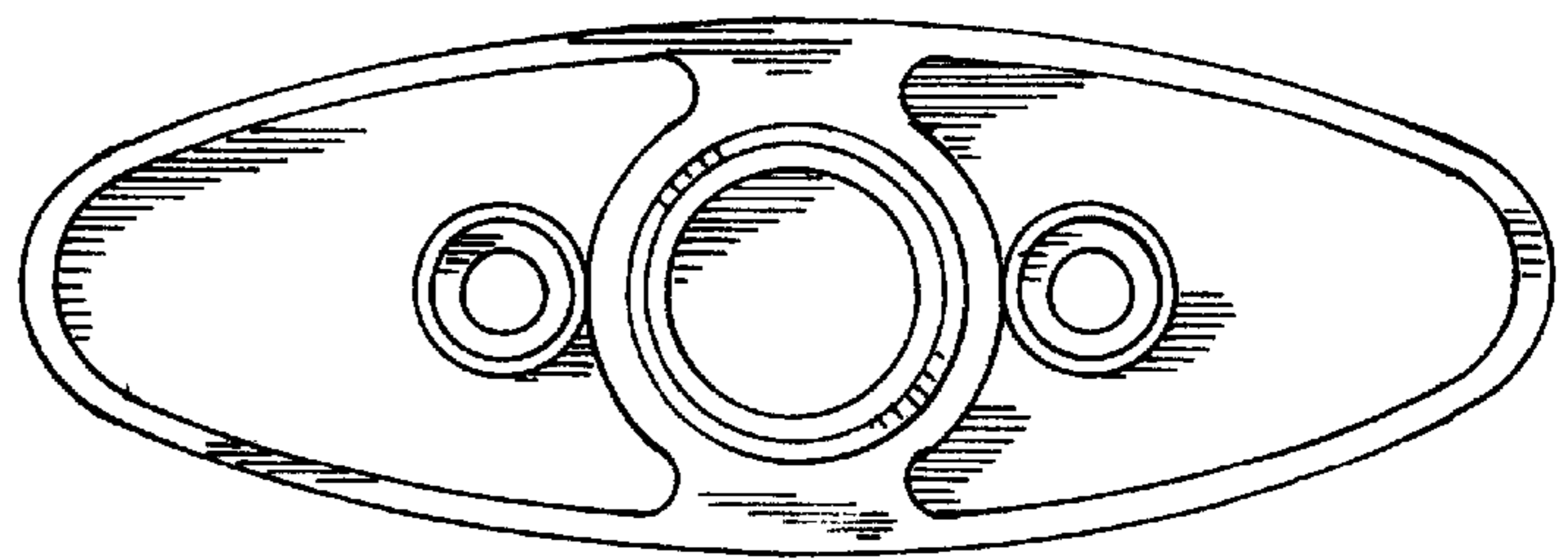


FIG. 5

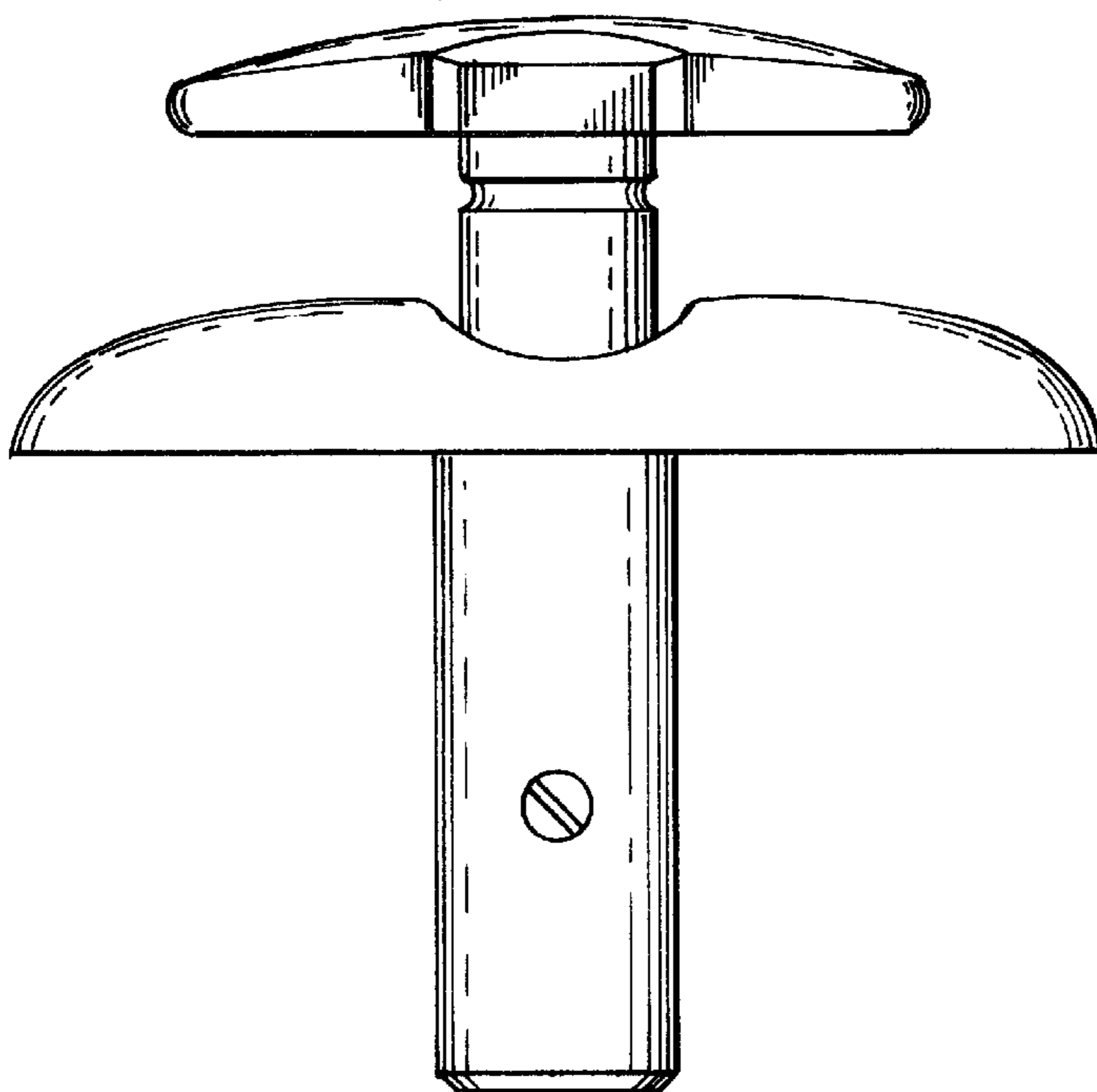


FIG. 6

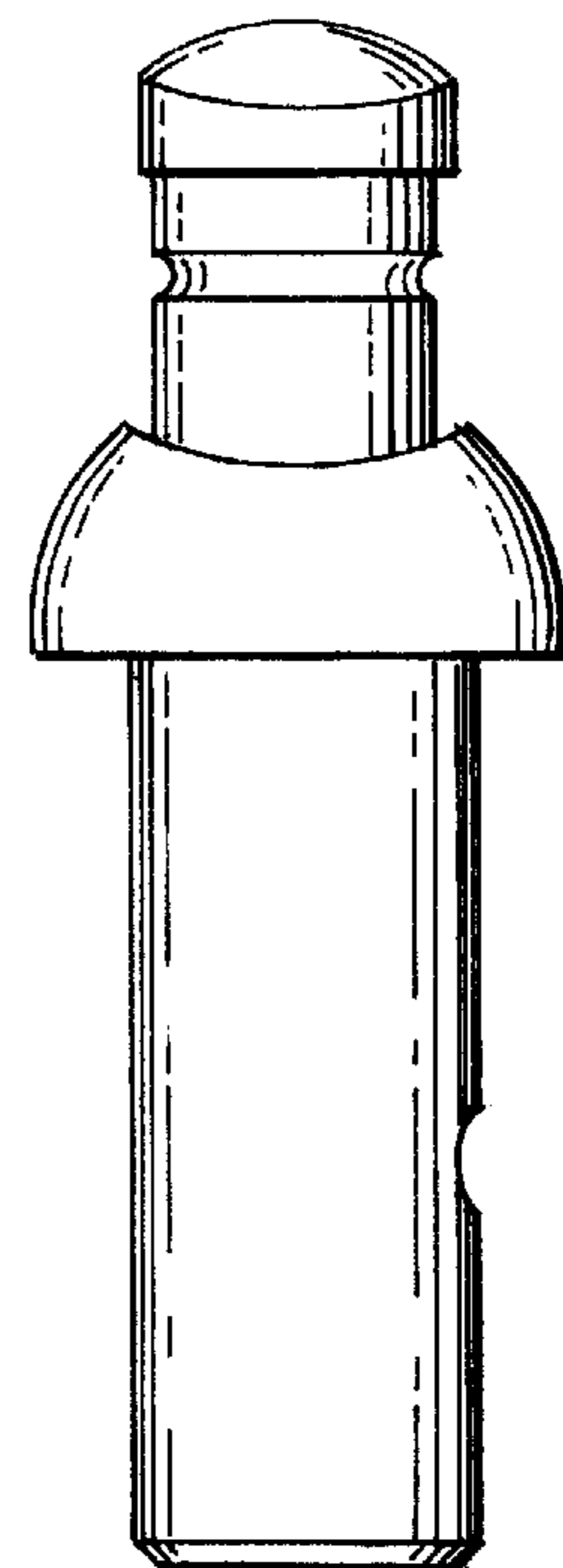


FIG. 7

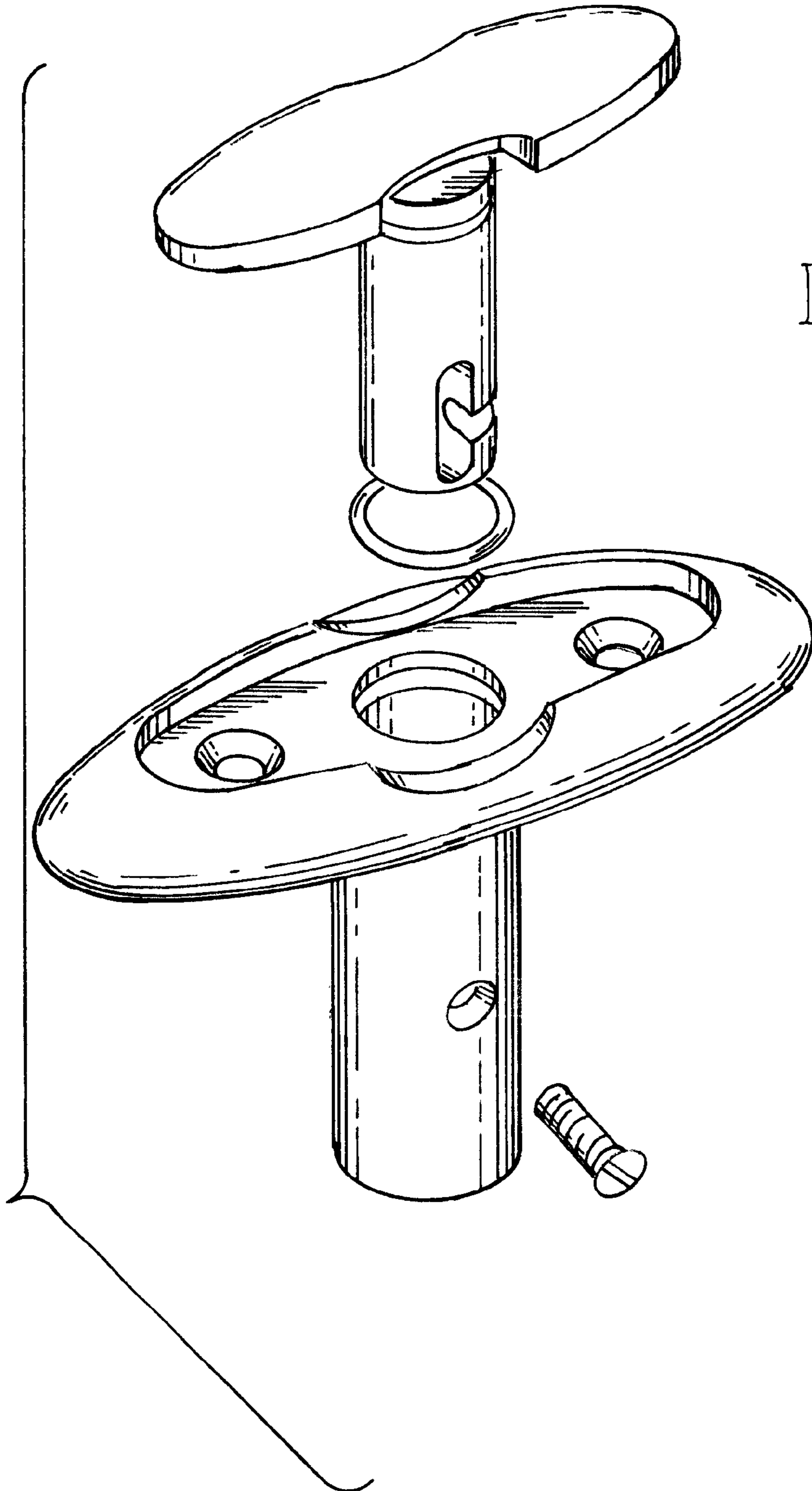


FIG. 8