



US00D483246S

(12) **United States Design Patent**  
**McPherson et al.**

(10) **Patent No.:** **US D483,246 S**

(45) **Date of Patent:** **\*\* Dec. 9, 2003**

(54) **REBAR CHAIR**

(76) Inventors: **John W. McPherson**, P.O. Box 4005,  
Hopkinsville, KY (US) 42241; **Joe B. McDaniel**, P.O. Box 385, Marion, KY  
(US) 42064

(\*\*) **Term:** **14 Years**

(21) **Appl. No.:** **29/163,025**

(22) **Filed:** **Jun. 25, 2002**

(51) **LOC (7) Cl.** ..... **08-05**

(52) **U.S. Cl.** ..... **D8/354**

(58) **Field of Search** ..... D8/349, 354, 356,  
D8/373, 380, 384; D25/199; 52/677, 678,  
679, 682, 684, 685, 686, 687, 688, 689;  
404/134, 135, 136

(56) **References Cited**

**U.S. PATENT DOCUMENTS**

1,410,633	A	3/1922	White	
1,672,176	A	6/1928	Schumacher et al.	
1,672,852	A	6/1928	Roughan	
1,871,809	A	8/1932	Lampert	
1,880,710	A	10/1932	Bitney	
2,634,603	A	4/1953	Byars et al.	
3,114,221	A	12/1963	Eriksson	
3,471,987	A *	10/1969	Yelsma	52/684
3,512,330	A	5/1970	Schlesinger	
3,512,331	A	5/1970	Palmer	
3,788,025	A	1/1974	Holmes	
D239,592	S *	4/1976	Anderson et al.	D8/356
D240,708	S *	7/1976	Ilukowicz	D8/356

4,060,954	A	12/1977	Liuzza	
4,575,985	A	3/1986	Eckenrodt	
4,617,775	A	10/1986	Padrun	
D299,022	S	12/1988	King, Jr.	
5,107,654	A	4/1992	Leonardis	
5,408,799	A	4/1995	Ron et al.	
5,421,136	A	6/1995	Van De Peer	
5,729,949	A	3/1998	Hartzheim	
D443,197	S *	6/2001	Padrun	D8/354
D444,244	S	6/2001	McPherson et al.	
D445,668	S *	7/2001	Hills, Sr.	D8/354
D454,776	S *	3/2002	Padrun	D8/354
6,557,317	B2 *	5/2003	Sorkin	52/682

\* cited by examiner

*Primary Examiner*—Doris V. Coles  
*Assistant Examiner*—Elizabeth Albert  
(74) *Attorney, Agent, or Firm*—Carrithers Law Office;  
David W. Carrithers

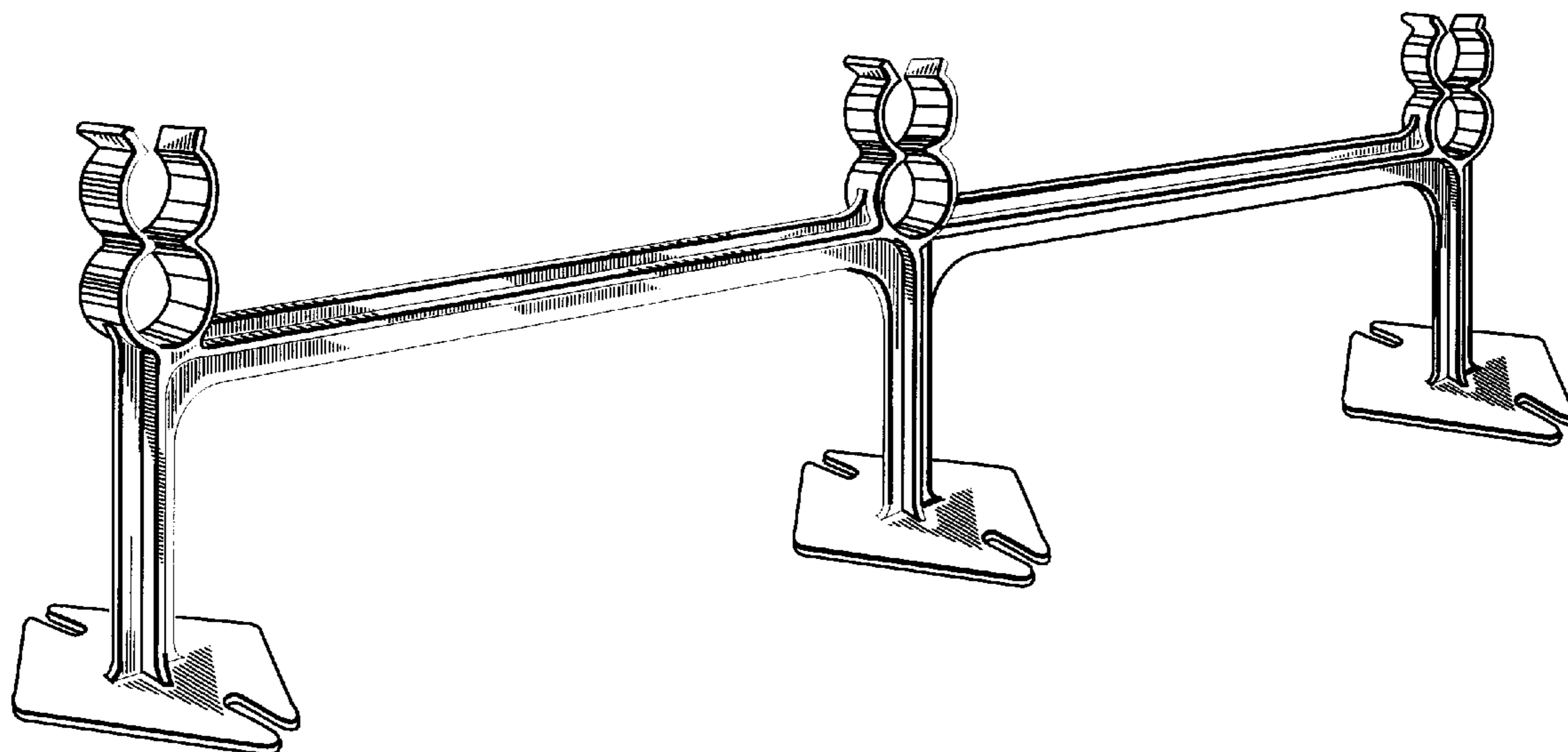
(57) **CLAIM**

The ornamental design for a rebar chair, as shown and described.

**DESCRIPTION**

FIG. 1 is a perspective view of a rebar chair in accordance with my design;  
FIG. 2 is a front view thereof;  
FIG. 3 is a left side view, the right side view being a mirror image thereof;  
FIG. 4 is a top plan view thereof; and,  
FIG. 5 is a bottom plan view thereof.

**1 Claim, 2 Drawing Sheets**



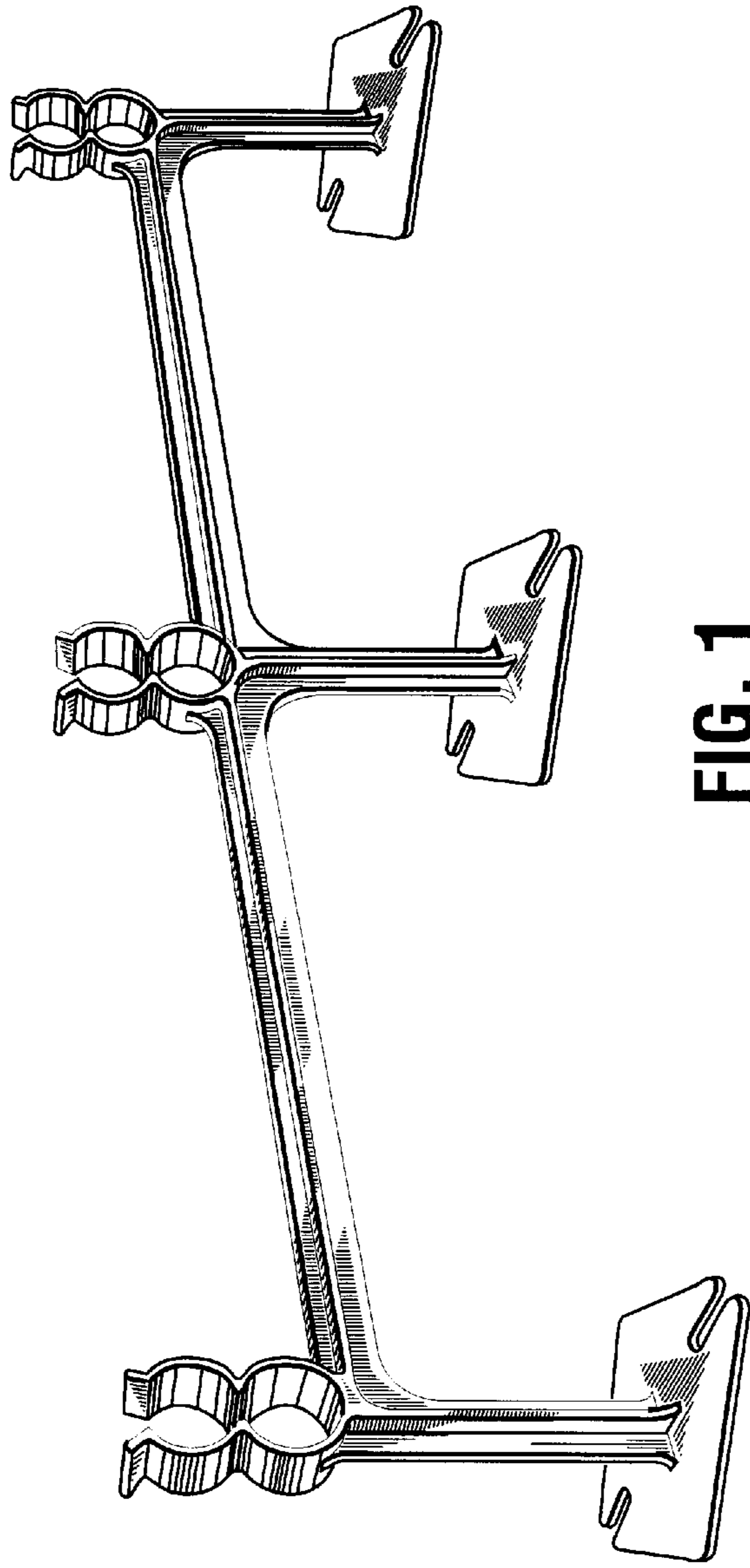


FIG. 1

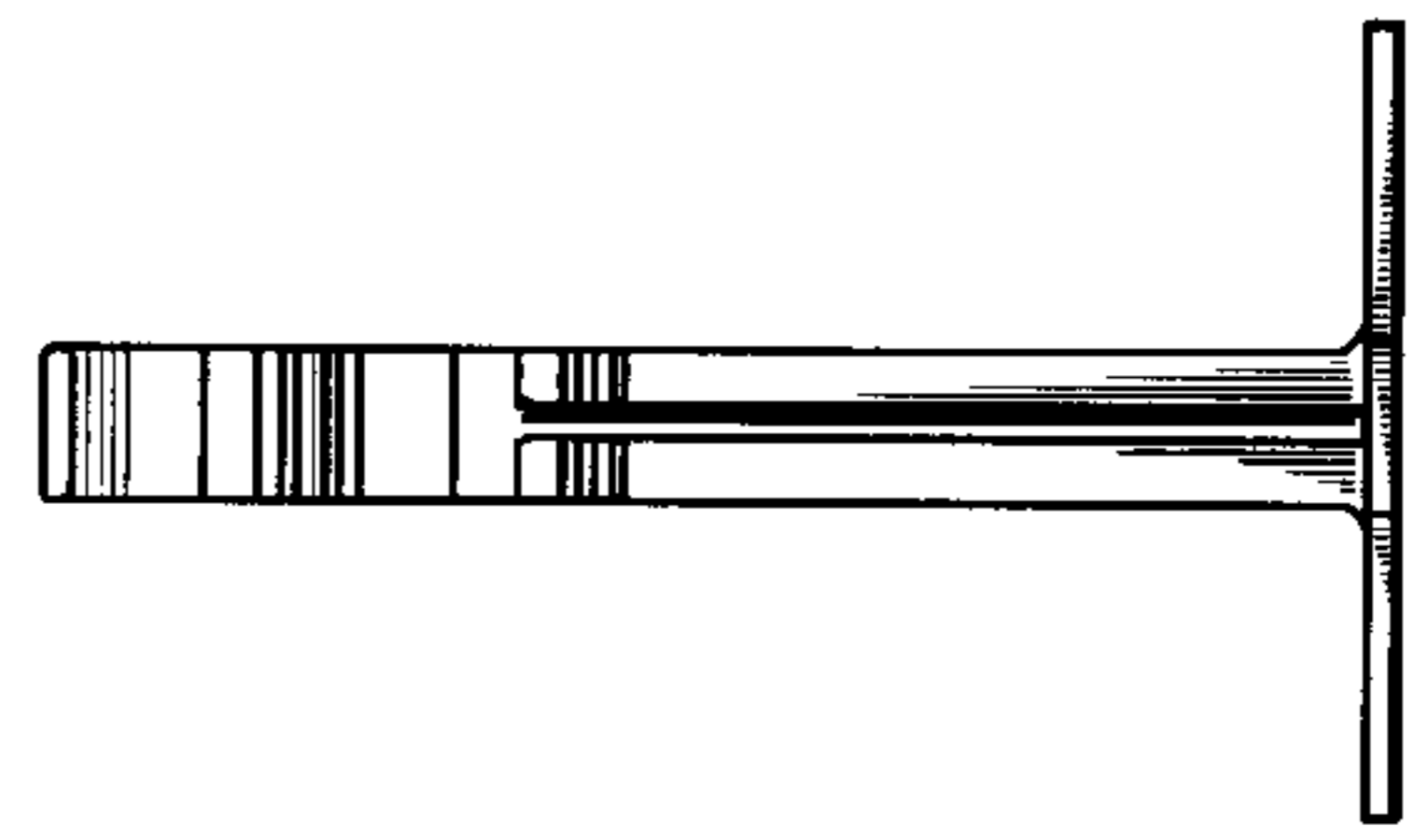


FIG. 2

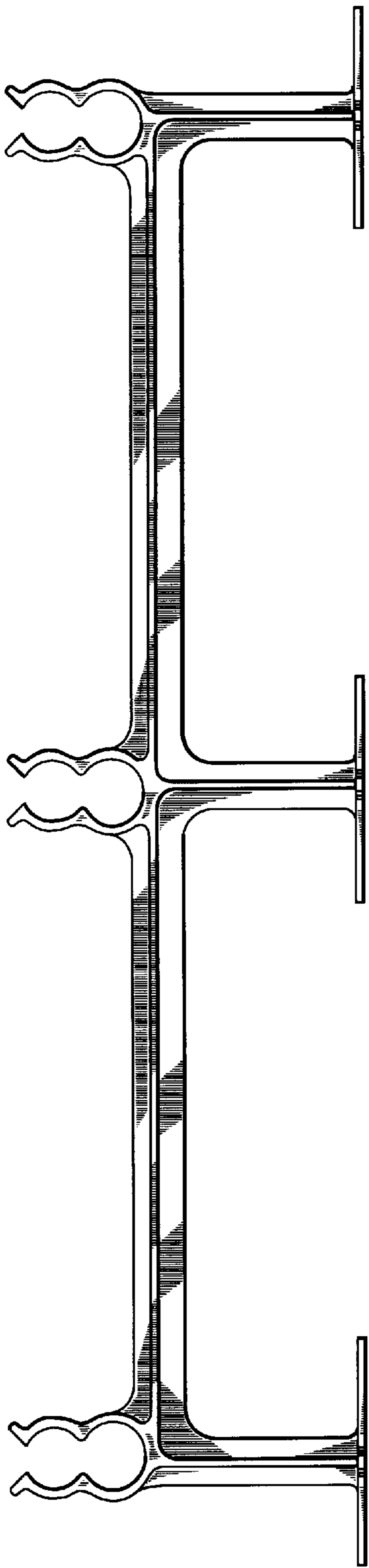


FIG. 3

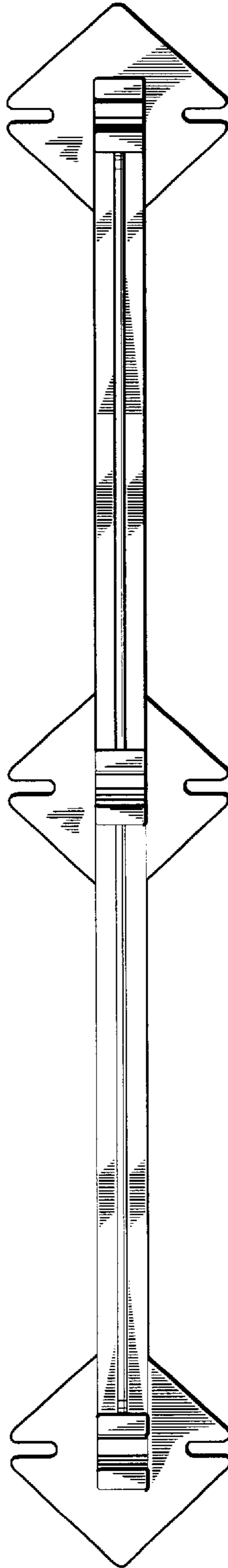


FIG. 4

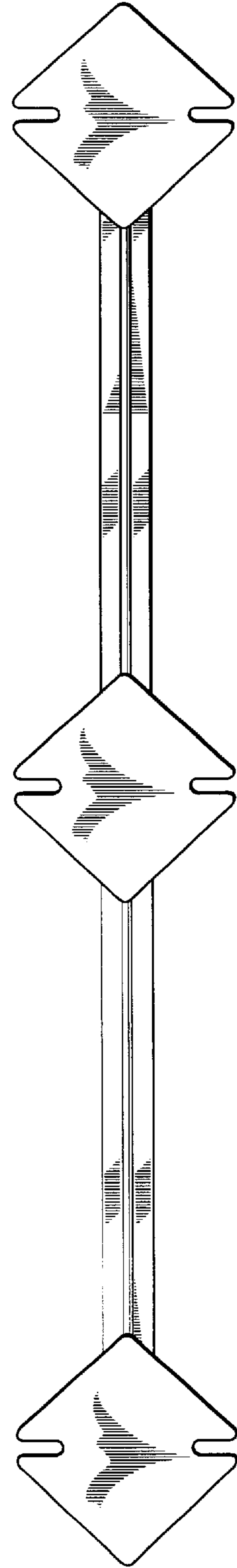


FIG. 5