



US00D483245S

(12) **United States Design Patent**
Harris et al.

(10) **Patent No.:** **US D483,245 S**

(45) **Date of Patent:** **** Dec. 9, 2003**

(54) **BRACKET ASSEMBLY**

(75) Inventors: **David Harris**, Blaine, MN (US);
Bradley Slye, Plymouth, MN (US)

(73) Assignee: **Electro-Sensors, Inc.**, Minneapolis,
MN (US)

(**) Term: **14 Years**

(21) Appl. No.: **29/151,043**

(22) Filed: **Nov. 15, 2001**

(51) **LOC (7) Cl.** **08-08**

(52) **U.S. Cl.** **D8/349**

(58) **Field of Search** D8/349, 354, 355,
D8/373, 380, 387, 71; D10/103, 121; 248/200,
201, 205.1, 637, 638, 645, 646, 670, 674,
676, 678, 680, 207, 224.8, 672

(56) **References Cited**

U.S. PATENT DOCUMENTS

D302,652 S * 8/1989 Spaeth, Jr. D8/373

D361,067 S * 8/1995 Brehmer et al. D8/373

D454,479 S * 3/2002 Kolpin D8/349

* cited by examiner

Primary Examiner—Doris V. Coles

Assistant Examiner—Elizabeth Albert

(74) *Attorney, Agent, or Firm*—Leffert Jay & Polglaze P.A.

(57) **CLAIM**

The ornamental design for a bracket assembly, as shown and described.

DESCRIPTION

FIG. 1 is an elevated perspective view of a bracket assembly of the present invention;

FIG. 2 is a front view of the bracket assembly of FIG. 1;

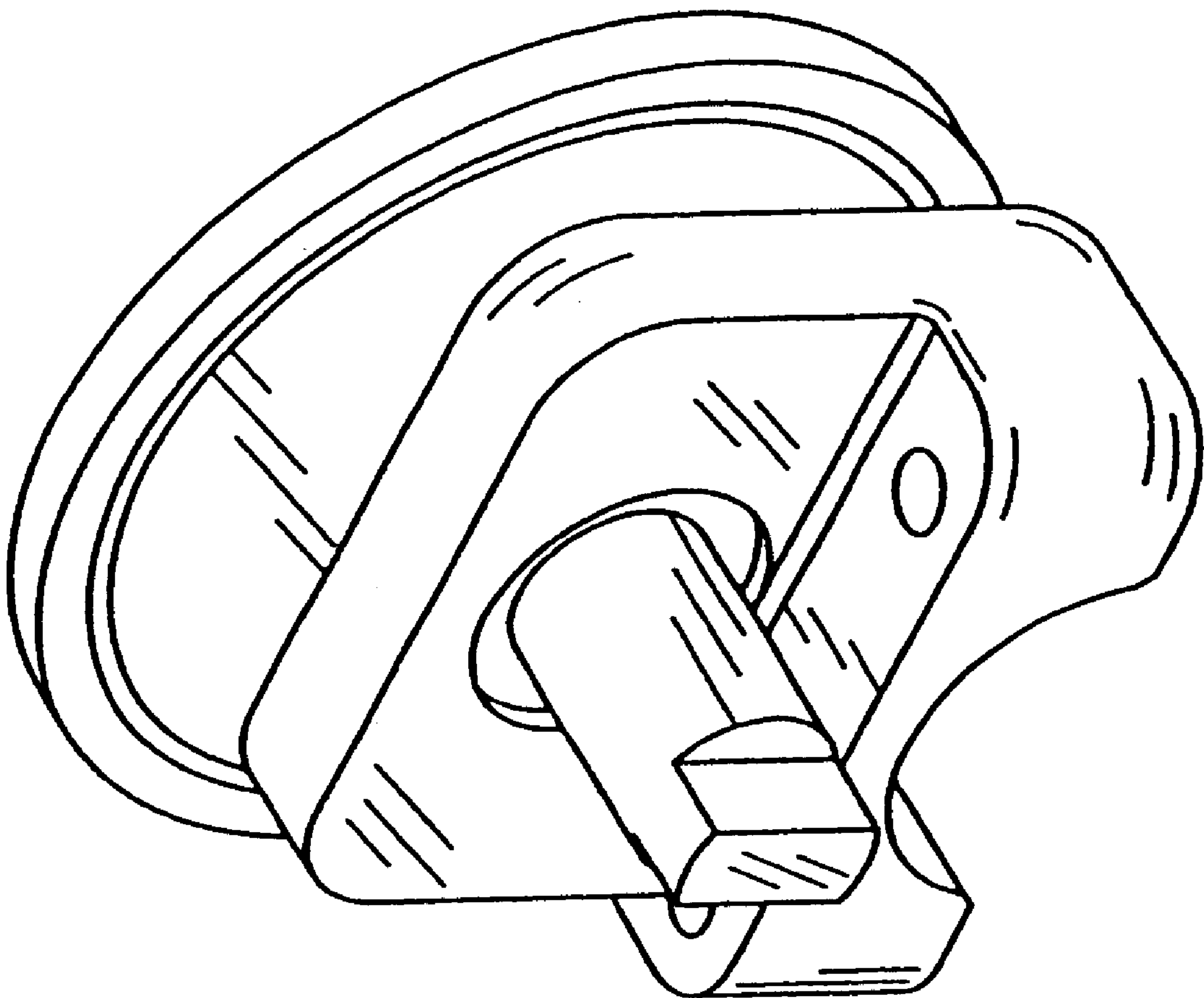
FIG. 3 is a top view of the bracket assembly of FIG. 1;

FIG. 4 is a first side view of the bracket assembly of FIG. 1;

FIG. 5 is a back view of the bracket assembly of the FIG. 1; and,

FIG. 6 is a second side view of the bracket assembly of FIG. 1.

1 Claim, 2 Drawing Sheets



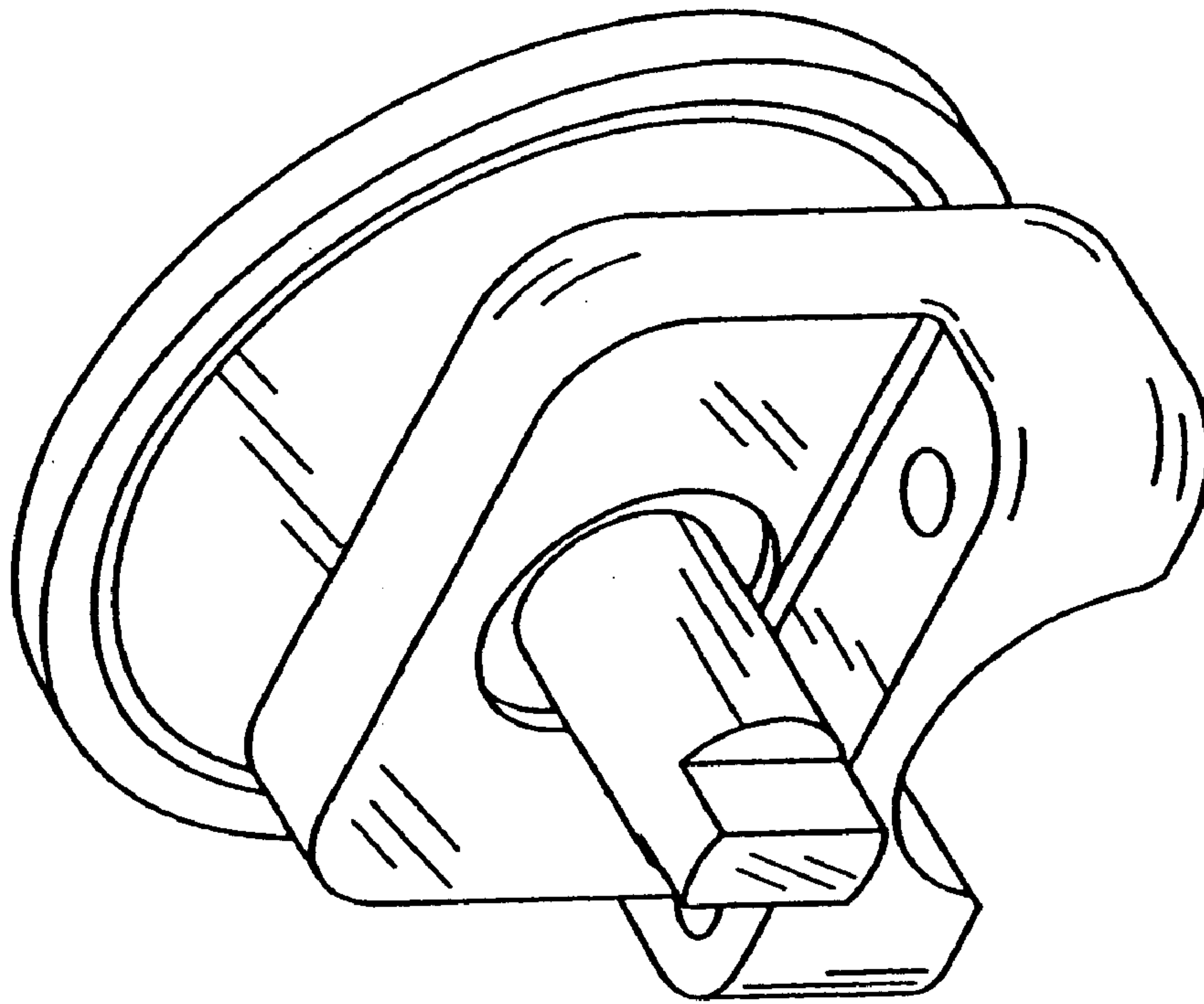


FIG. 1

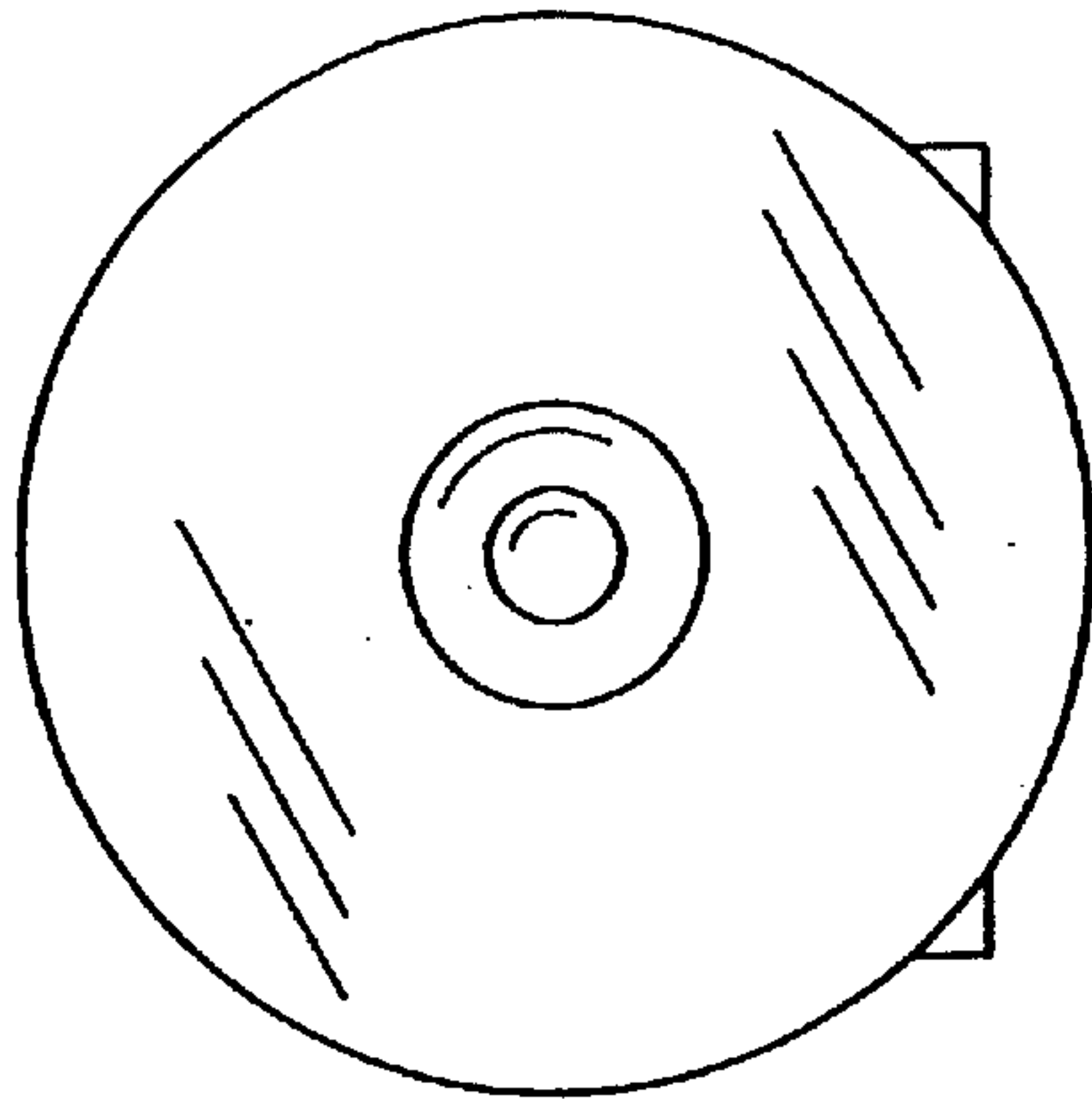


FIG. 2

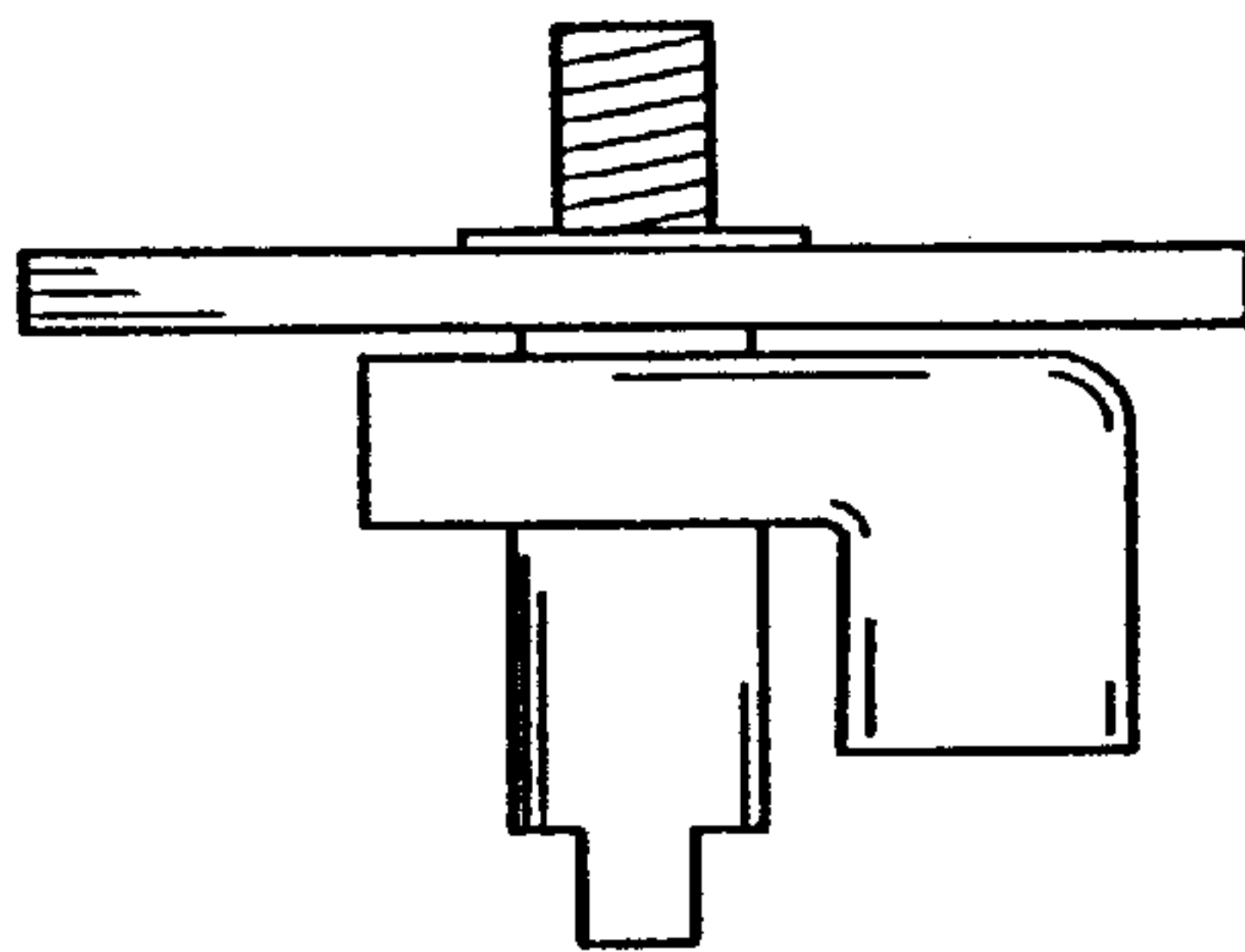


FIG. 3

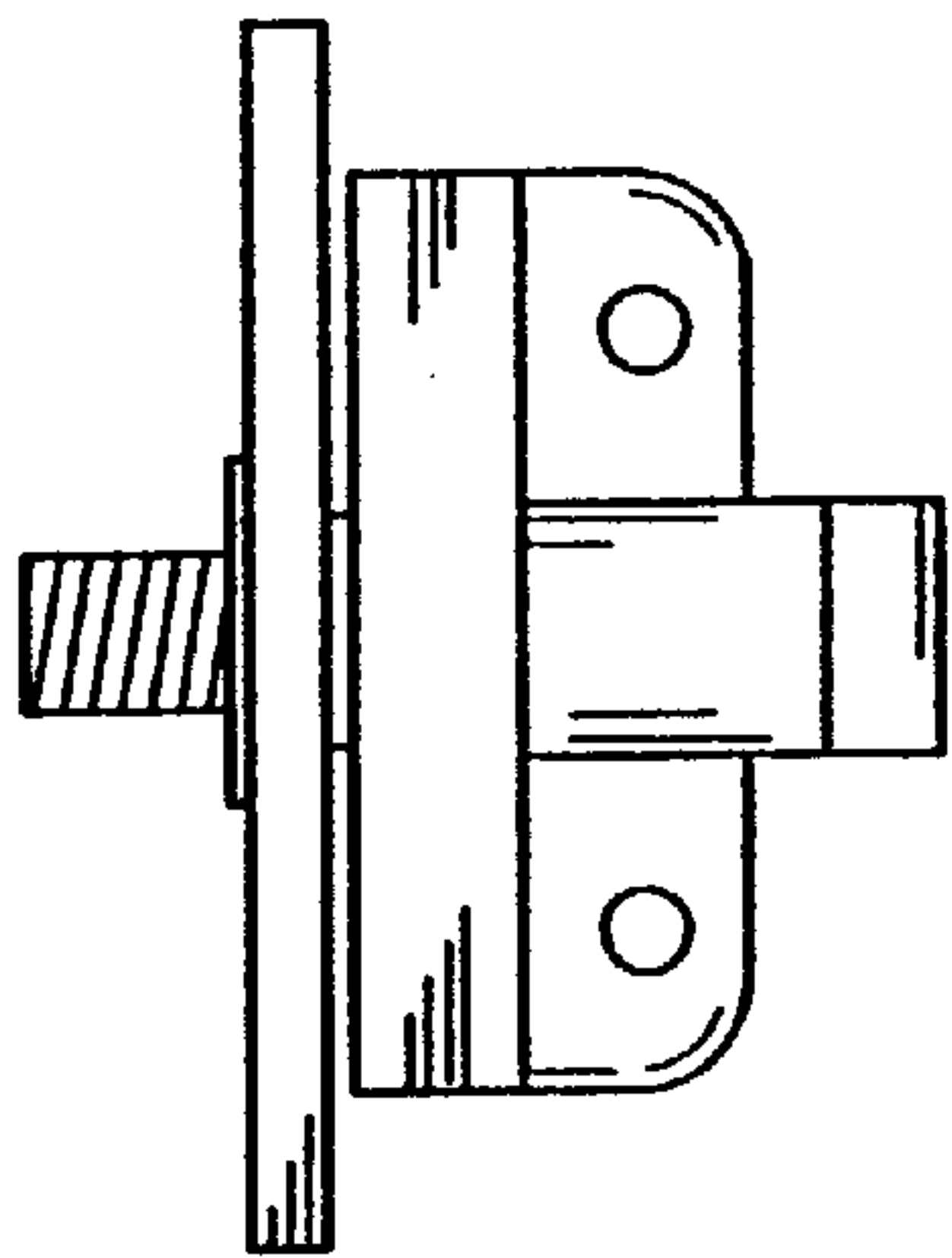


FIG. 4

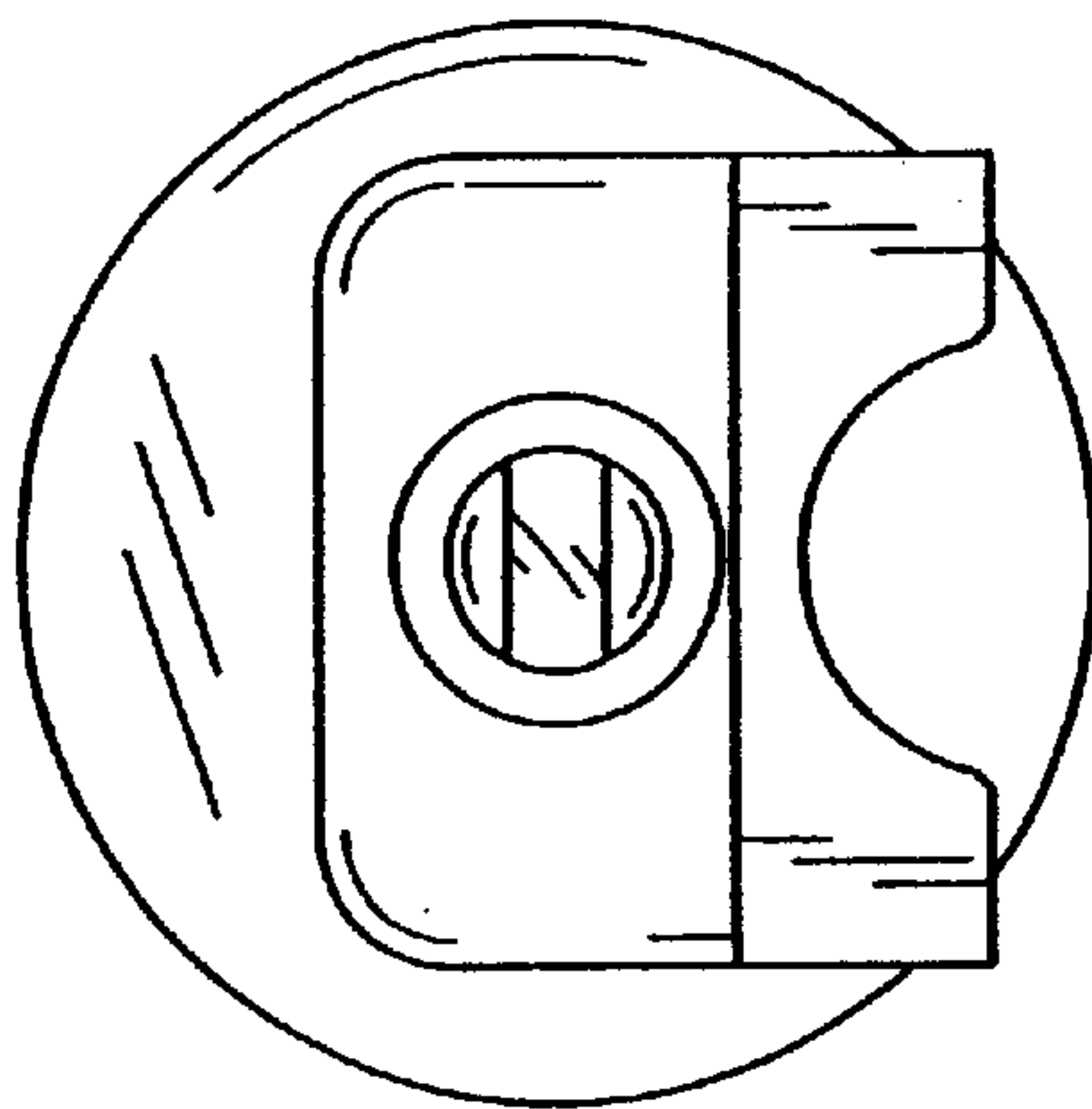


FIG. 5

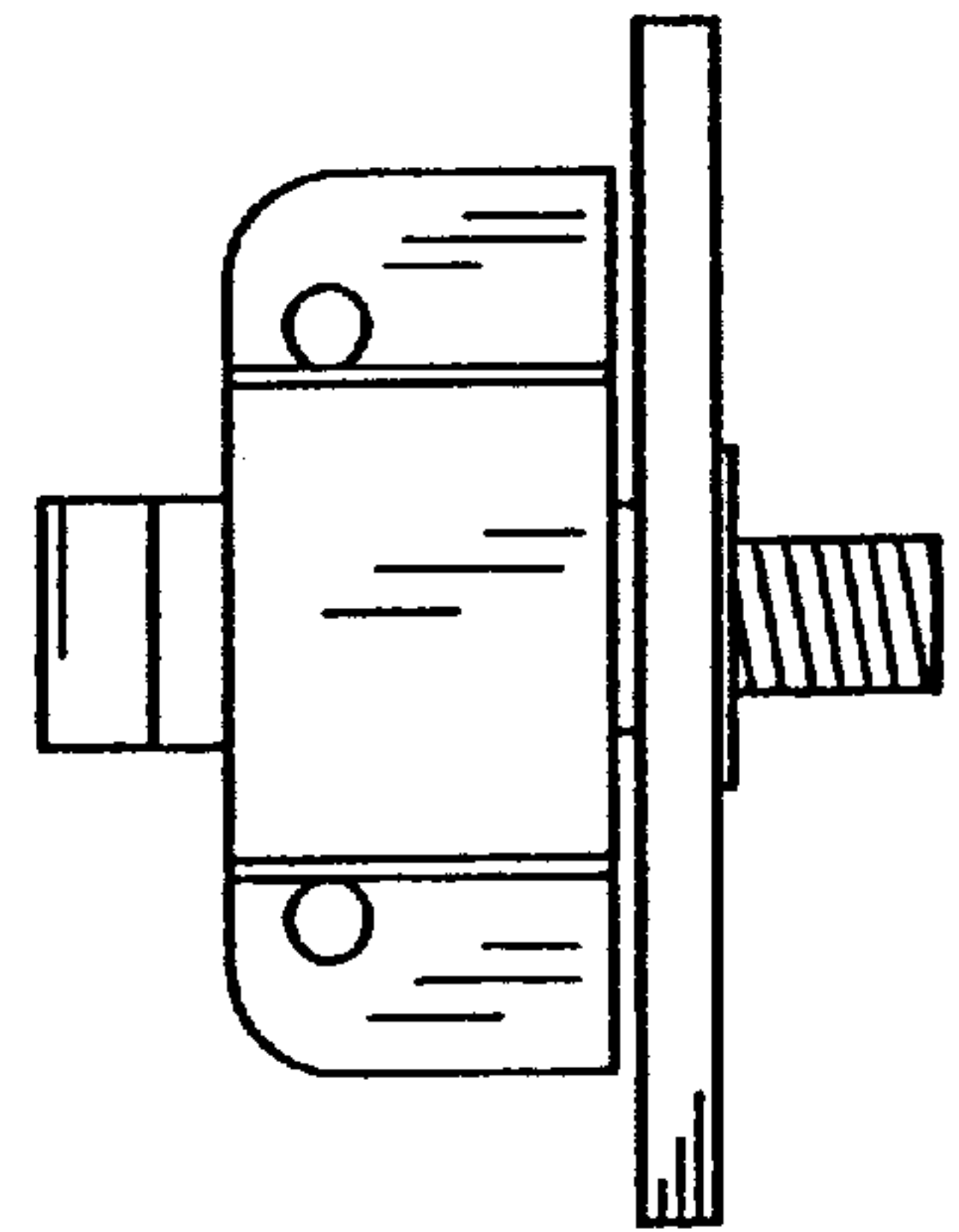


FIG. 6